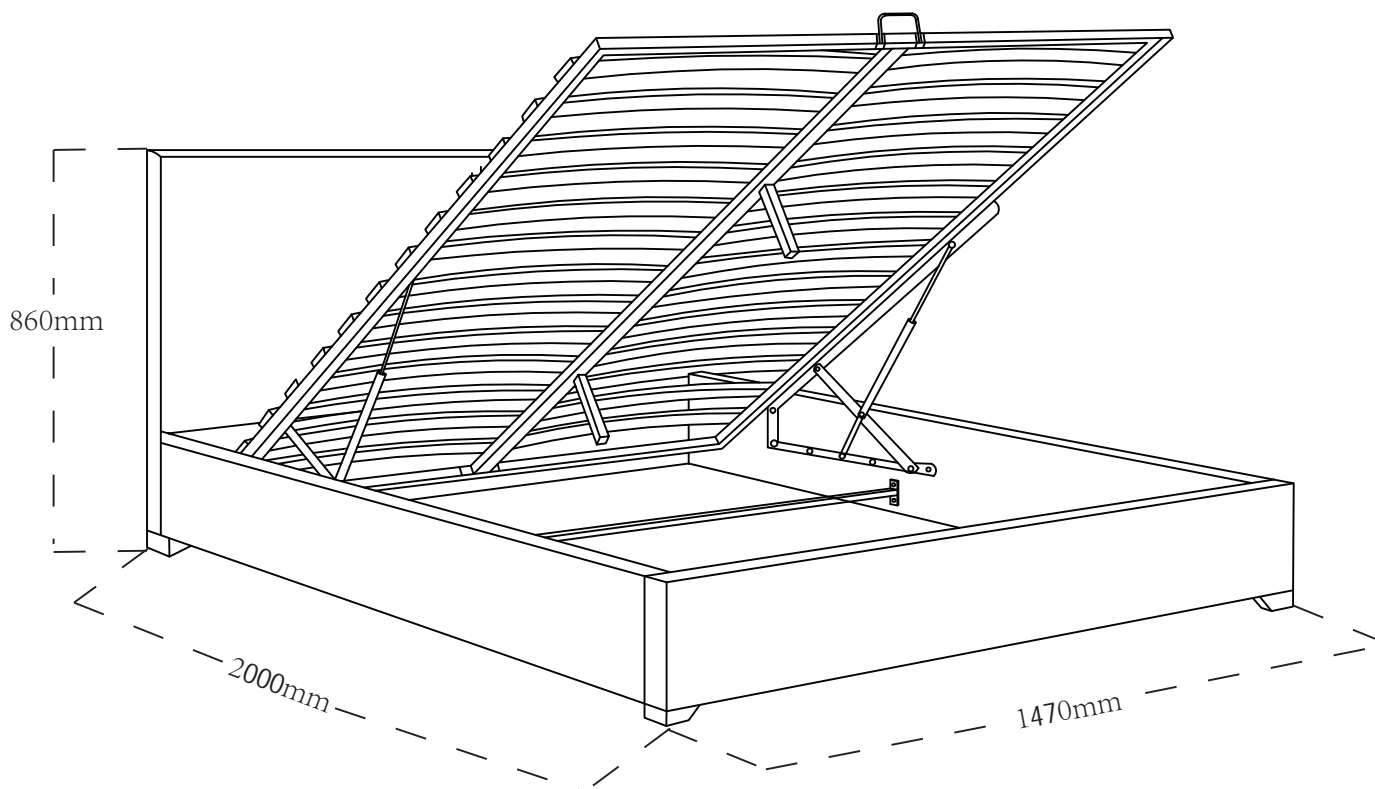


# ASSEMBLY INSTRUCTION

PAGOSA DOUBLE BED

ITEM CODE: 76113/70662

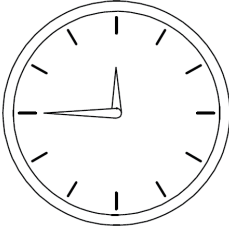
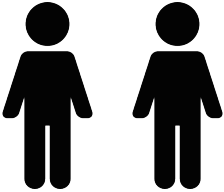



Imported by JWA Furniture Pty Ltd, Qld, Brisbane Australia.  
For any assistance with assembly or for missing parts please refer to your receipt

# PRE-ASSEMBLY PREPARATION

## Before you start:

1. Choose a clean, level, spacious assembly area. Avoid hard surfaces that may damage the product
2. Take care when lifting. Product should be assembled as near as possible to the point of use
3. Ensure that you have all required contents for complete assembly
4. Always read the assembly instructions carefully before beginning assembly.
5. Keep all hardware parts and packaging out of reach of small children.
6. Do not over tighten the screws and bolts as this may damage the threads

		
Allow 45 min	For 2 person	Additional tools required

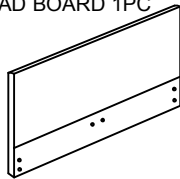
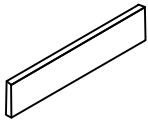
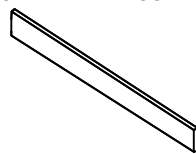
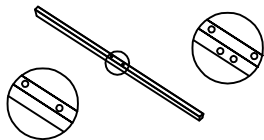




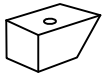
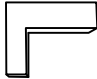
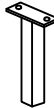
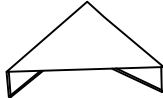
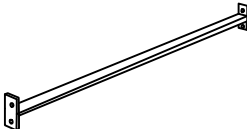
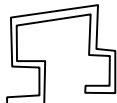

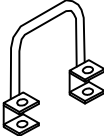


**WARNING**

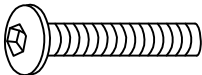
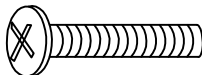





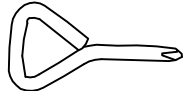
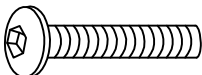

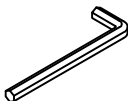
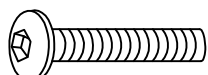


**Do not allow children to play on this mechanised furniture or operate the mechanism. This lift bed base raises at the rear - do not place objects under it and make sure area is clear of obstructions including pets and small children. Ensure that the mattress and lift mechanism has been returned to the lowered position before lying or sitting on the mattress. Always ensure that your body is clear of the lift mechanism when lifting and lowering the mechanism**




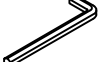

# Parts List

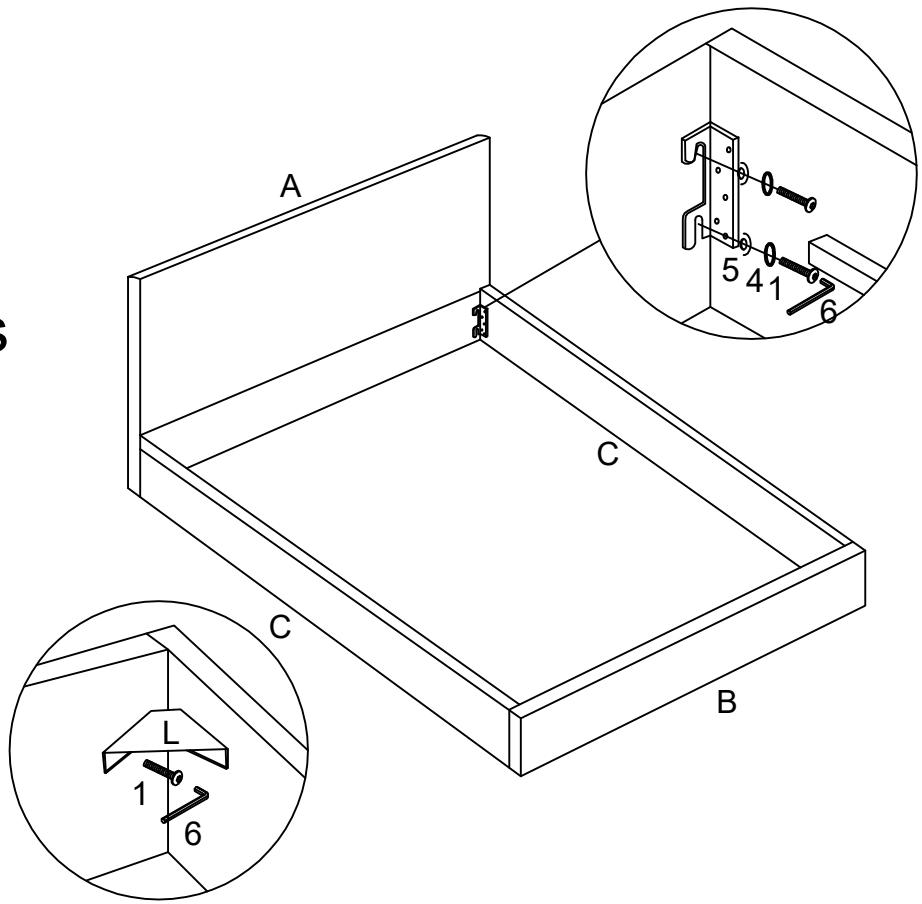
<b>A</b> HEAD BOARD 1PC 	<b>B</b> FOOT BOARD 1PC 	<b>C</b> SIDE RAIL 2PCS 	<b>D</b> BEDSTEAD RAIL 2 SETS 
<b>E</b> BEDSTEAD RAIL 2 SETS 	<b>F</b> SLAT 2 8 PCS 	<b>G</b> Single Plastic Cap 28pcs 	<b>H</b> Double Plastic Cap 14pcs 
<b>I</b> LEG 4 PCS 	<b>J</b> 4 PCS 	<b>K</b> Support Leg 2 PCS 	<b>L</b> 2 pcs 
<b>M</b> METAL BAR 1PC 	<b>N</b> 1 PCS 	<b>O</b> Center Support Bar 1pc 	<b>P</b> Digging rope 1PC 

# Hardware List


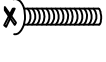

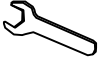

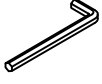
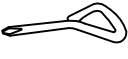
<b>1</b> M8*30 x20 PCS 	<b>2</b> M8*40 x 14 PCS 	<b>3</b> 16 pcs 	<b>4</b> 8 pcs 
<b>5</b> 12 pcs 	<b>6</b> M5 x1 PC 	<b>7</b> 1 pcs 	<b>8</b> 1 pcs 
<b>9</b> M8*50 x 4 PCS 	<b>10</b> M6*20 x 8 PCS 	<b>11</b> M4 x 2 PCS 	<b>12</b> M8*40 x 2 PCS 

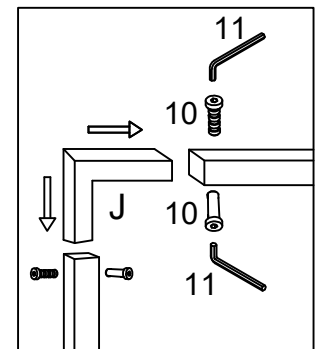
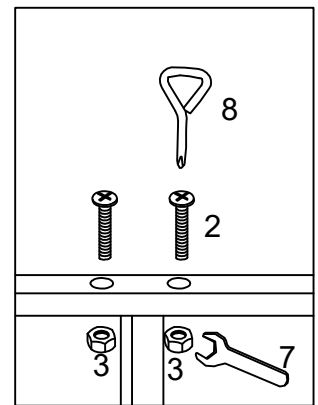
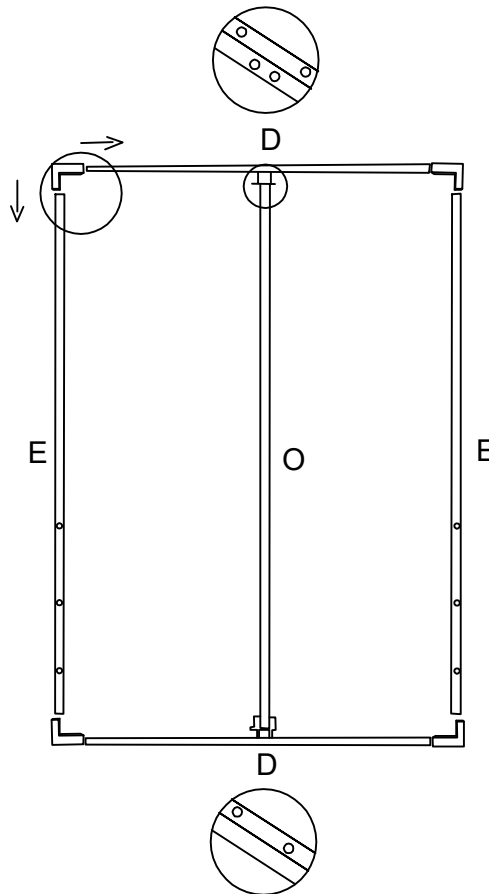
# Step1

- 5  8pcs
- 4  8pcs
- 1  16pcs
- 6  1pc
- L  2pcs



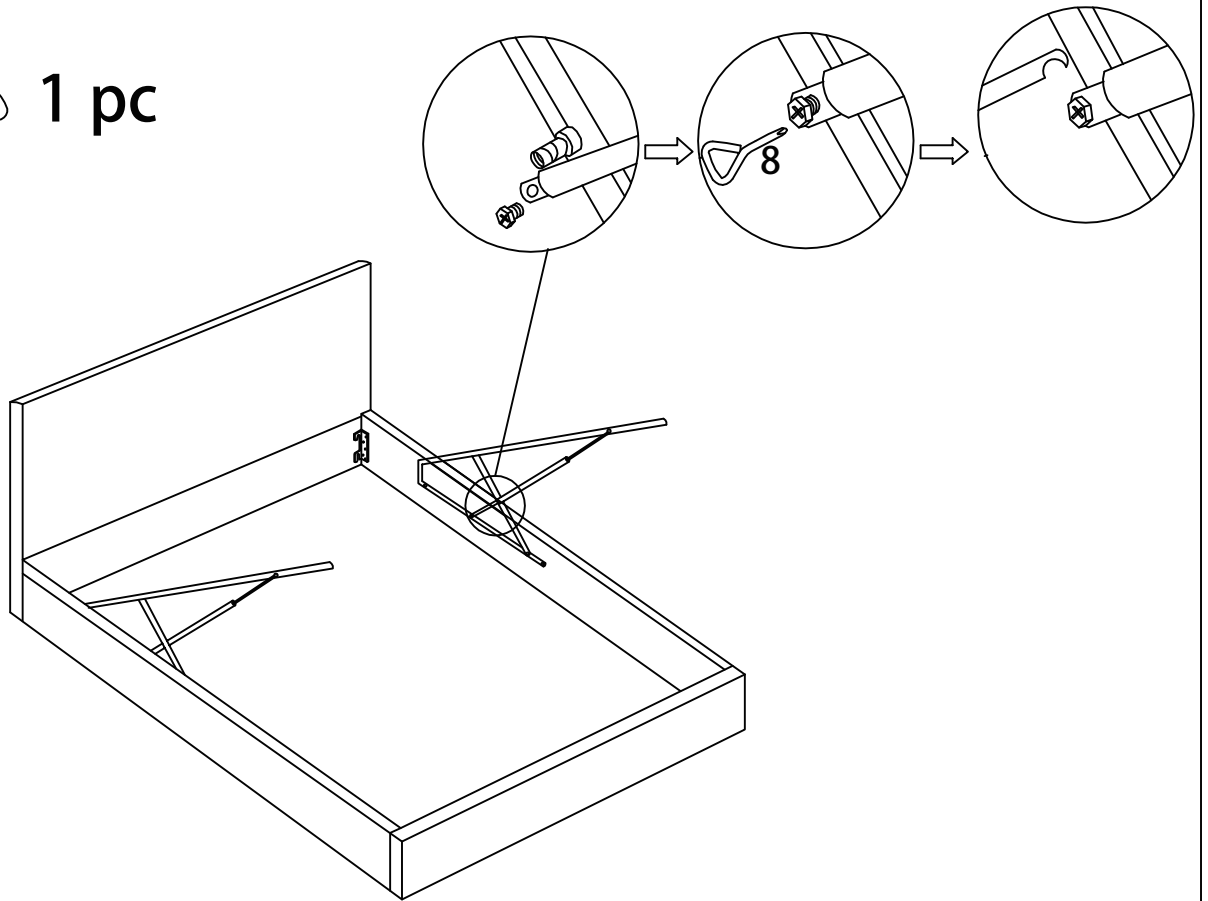
# Step2

- J  4 pcs
- 2  4 pcs
- 3  4 pcs
- 7  1 pc
- 10  8pcs
- 11  2pcs
- 8  1 pc



### Step3

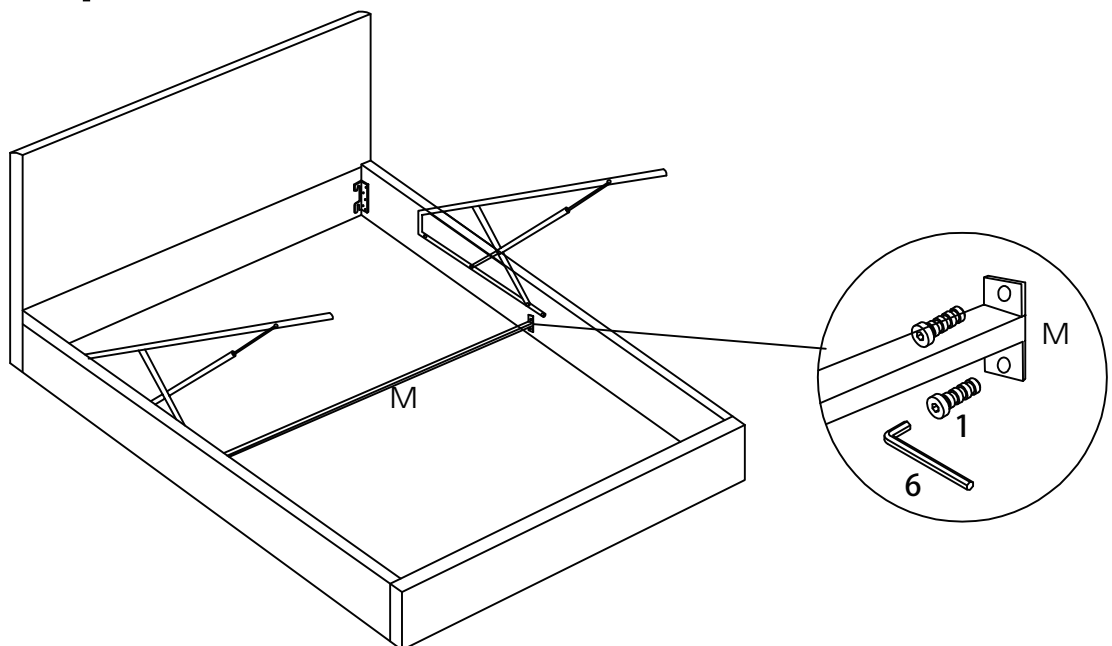
8  1 pc



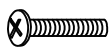

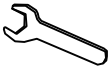

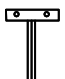
### Step4

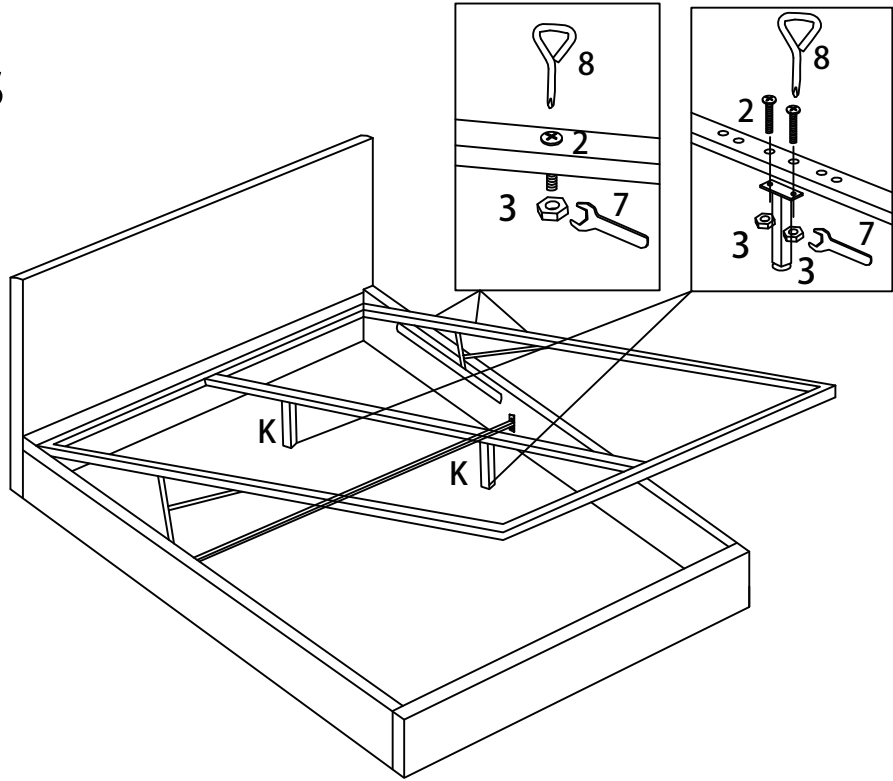
1  4pcs

6  1pc

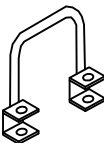

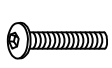

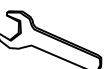



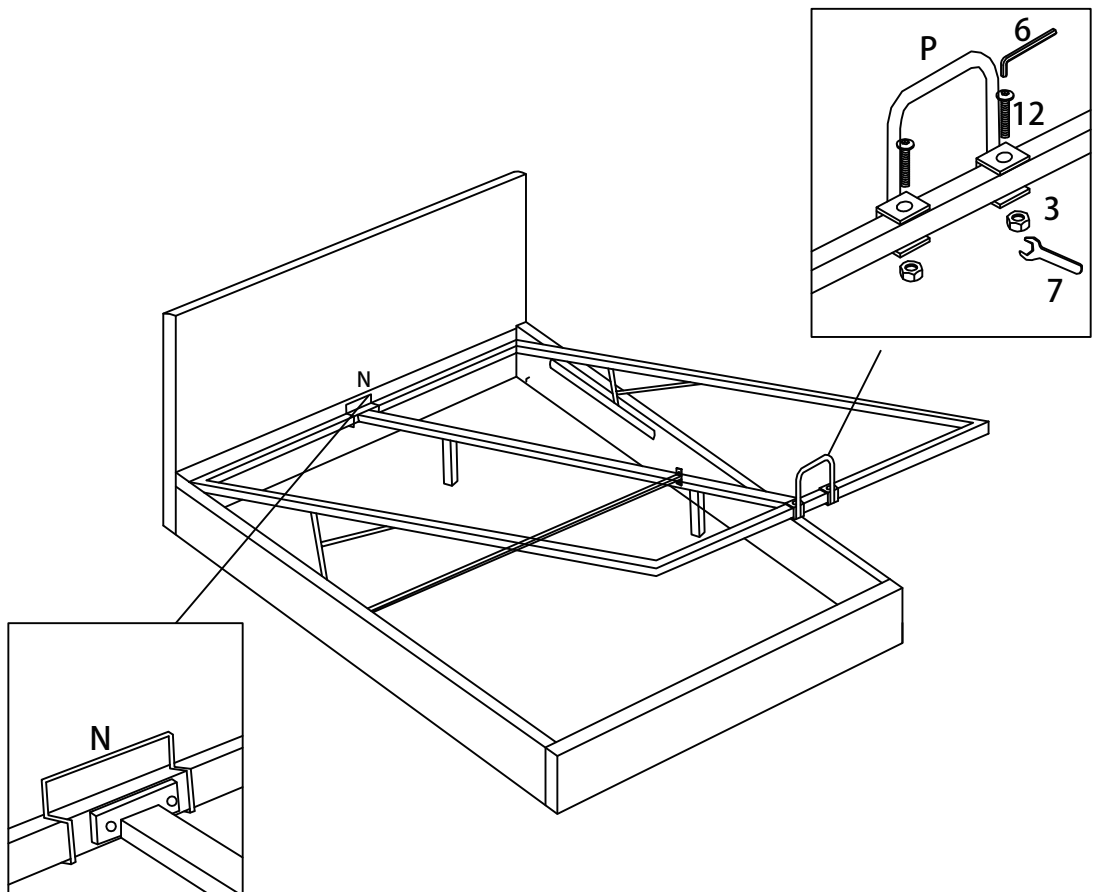
## Step5

- 2  10 pcs
- 3  10 pcs
- 7  1 pc
- 8  1 pc
- K  2 pcs




## Step6


- P  1 pc
- N  1pc
- 12  2pcs
- 3  2pcs
- 7  1pc
- 6  1pc

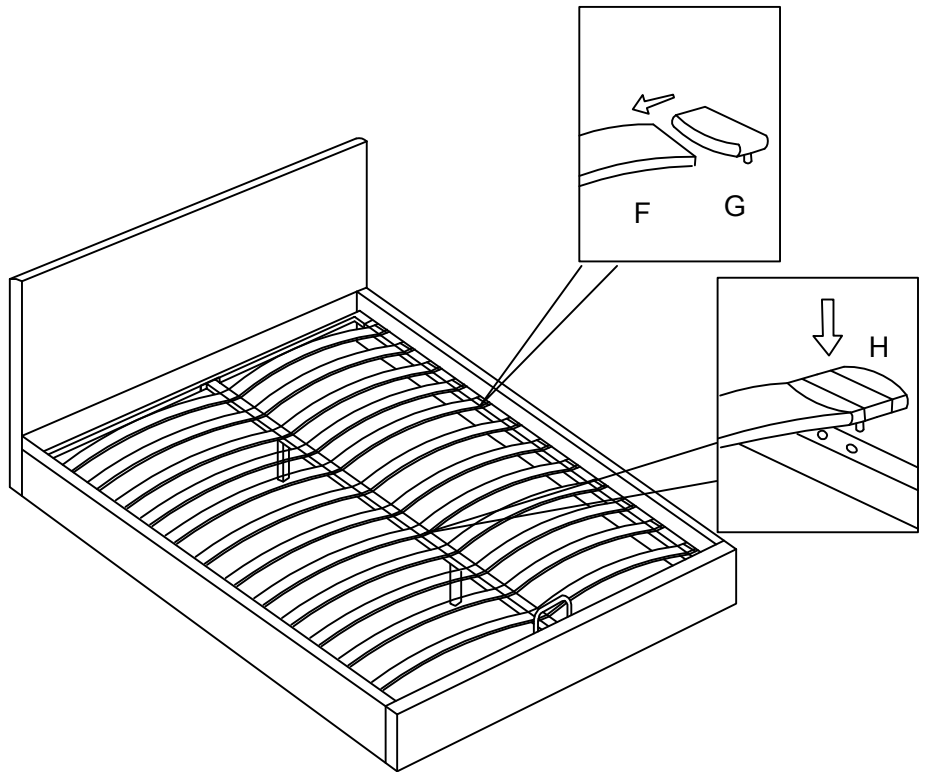


## Step7

F  28 pcs

G  28 pcs

H  14 pcs



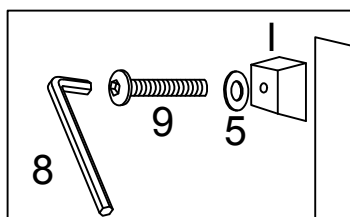
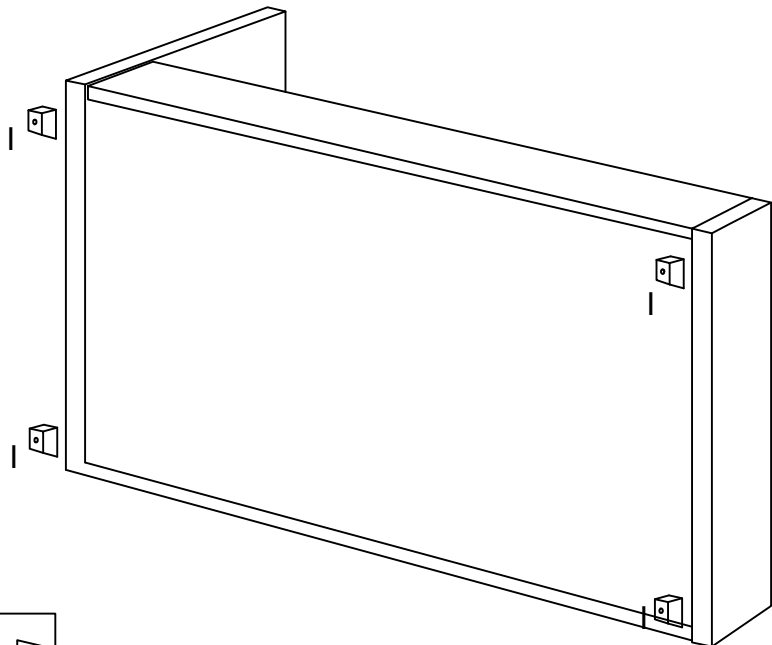
## Step8

I  4 pcs

6  1 pc

9  4 pcs

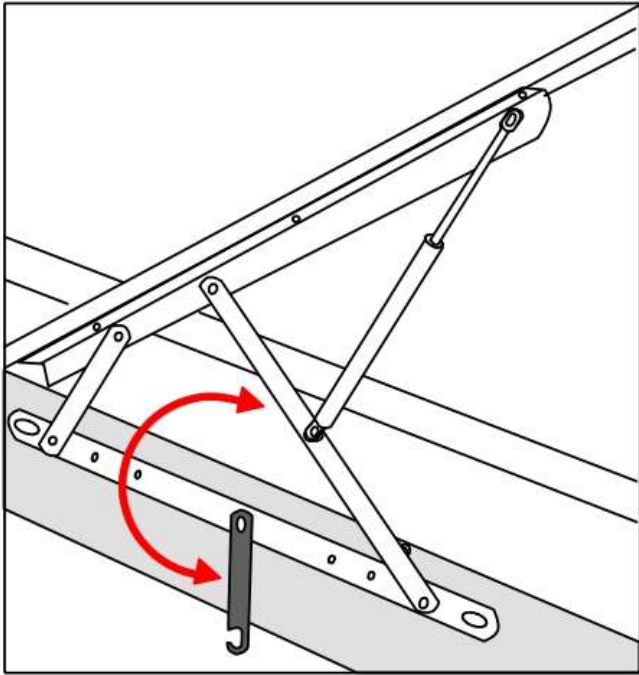
5  4 pcs



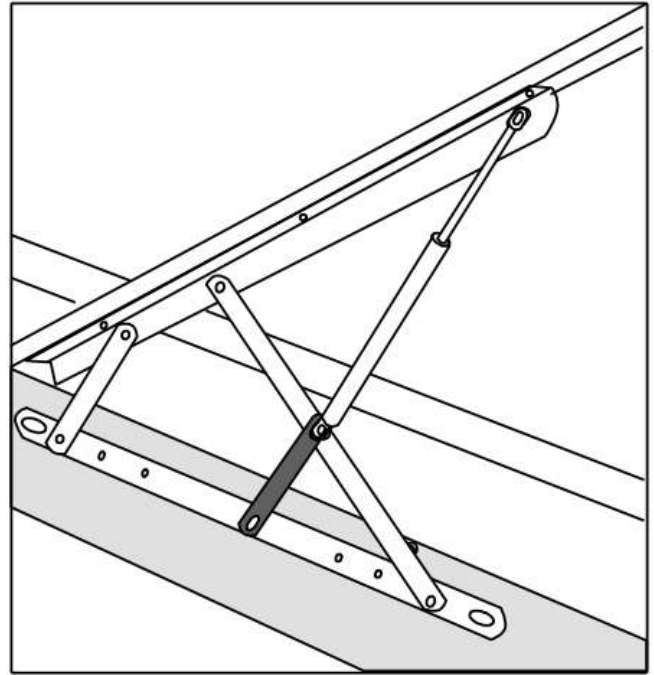
X4

## **SAFETY CAUTION WARNING**

Please always lock the safety lock mechanism while the bed base is in lifting position.  
Unlock it before you want to put the bed base back into normal position.



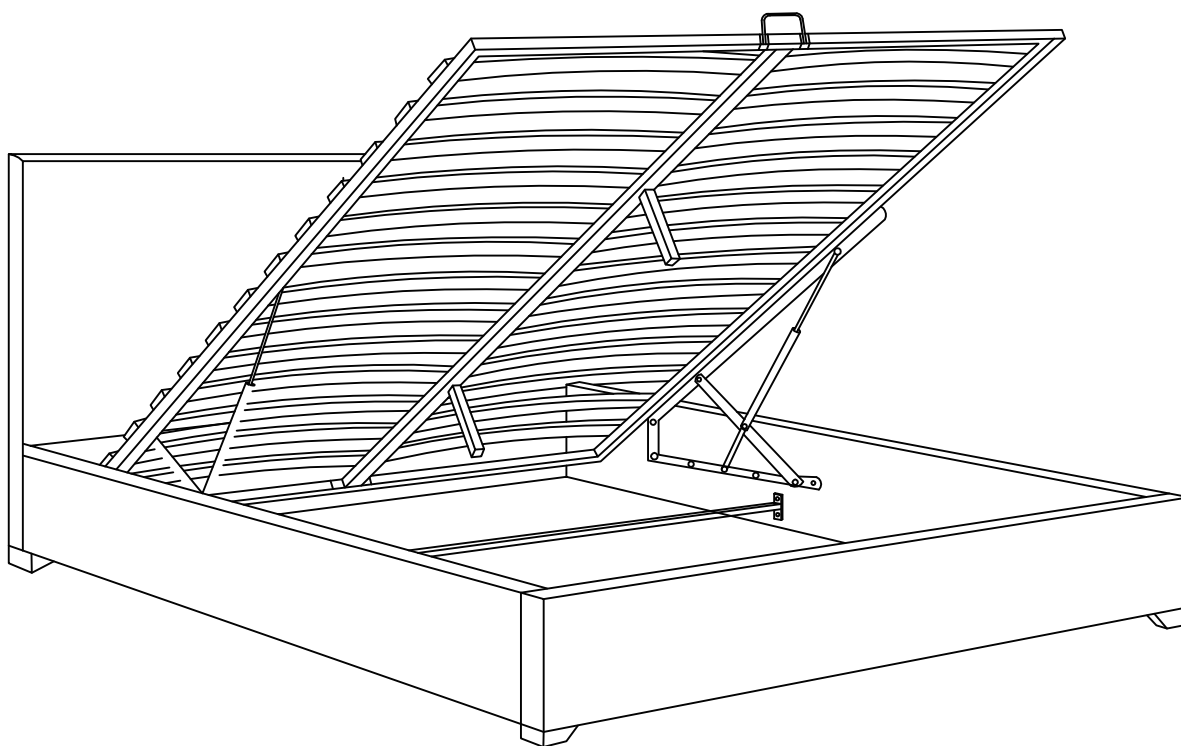
**UNLOCK POSITION**



**LOCK POSITION**

# Assembly is complete

**WARNING**  
**PINCH HAZARD: BEWARE OF YOUR FINGERS WHEN**  
**LIFTING AND LOWERING THE MECHANISM**



**CAUTION:**  
ALWAYS LIFT YOUR BED WHEN MOVING/RELOCATING.  
DO NOT DRAG. DRAGGING CAN CAUSE DAMAGE TO  
THE BED.

Product Name: PAGOSA DOUBLE BED

Item Code: 76113/70662

## **PRODUCT CARE**

### **REGULAR CARE:**

- Protect from direct sunlight
- Vacuum regularly using low suction
- Rotate reversible cushions regularly
- Avoid exposure to new clothing, cushions or throws as this may lead to dye transfer and permanent staining

### **CLEANING:**

- Do not remove cushion covers for separate cleaning even though they may have zippers
- Do not wash, Do not dry clean, Do not shampoo clean
- Clean only with hot water extraction machine. Professional cleaning recommended
- Do not use dishwashing liquid or laundry detergent. Use only upholstery detergents
- Do not wet filling
- Dry in shade away from direct heat and sunlight
- Allow to dry thoroughly before re-use

### **SPOT CLEANING:**

- Do not rub
- Do not spot clean with any solvent
- Treat spills and stains as soon as possible
- Gently scrape off any soil or blot any liquid from the surface of the fabric before applying cleaner
- Apply proprietary cleaning agents strictly according to instructions to remove the residue of the spill
- Do not saturate the fabric or interior with water or other cleaning liquids

### **WARNING:**

- Apply only water-based soil resist (fabric protection) treatments. Do not use aerosol products

\* PILLING IS NOT A FABRIC DEFECT OR FAULT AND IS NOT COVERED BY WARRANTY

\* PILLING IS A NORMAL OCCURRENCE CAUSED BY WEAR AND TEAR AND DOES NOT AFFECT THE DURABILITY OR FUNCTIONALITY OF THE FABRIC AND IS EASILY REMOVED

Made In: China

Imported By:

JWA Furniture Pty Ltd

Brisbane, Qld, Australia

Item Code: 76113/70662

Product Name: PAGOSA DOUBLE BED