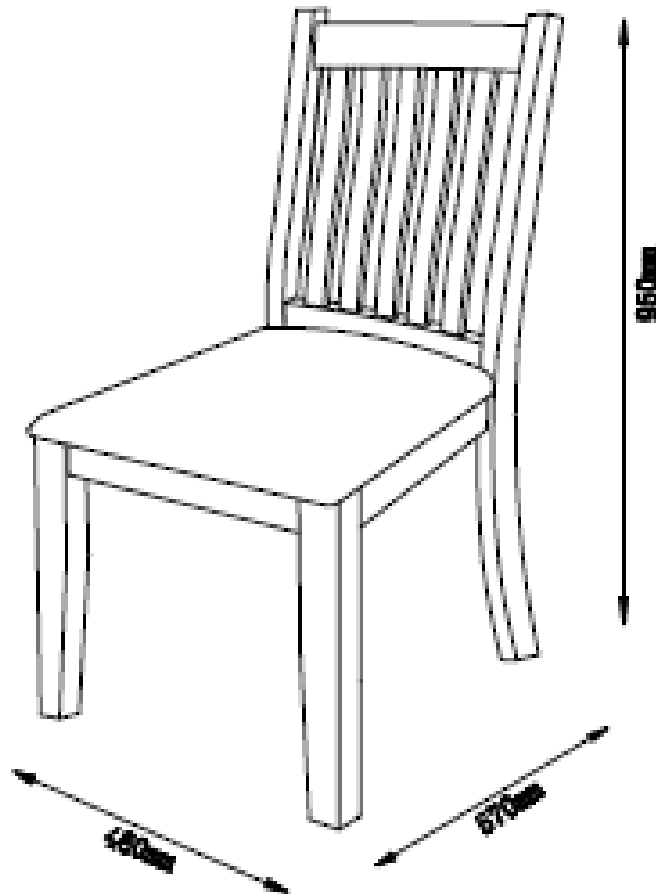




ASSEMBLY INSTRUCTION  
HELMOND DINING CHAIR  
ITEM CODE 81360



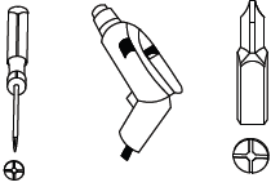


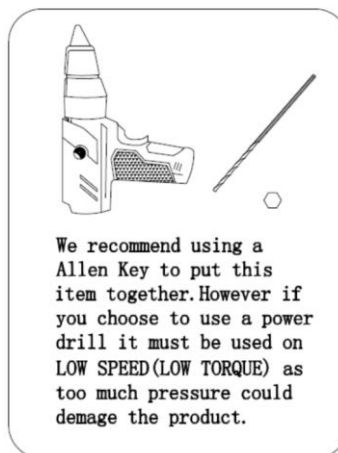
Imported by Amart Furniture Pty Ltd, Qld, Brisbane Australia.  
For any assistance with assembly or for missing parts please phone  
Amart Furniture, Customer Service Free call 1800 351 084

## PRE-ASSEMBLY PREPARATION

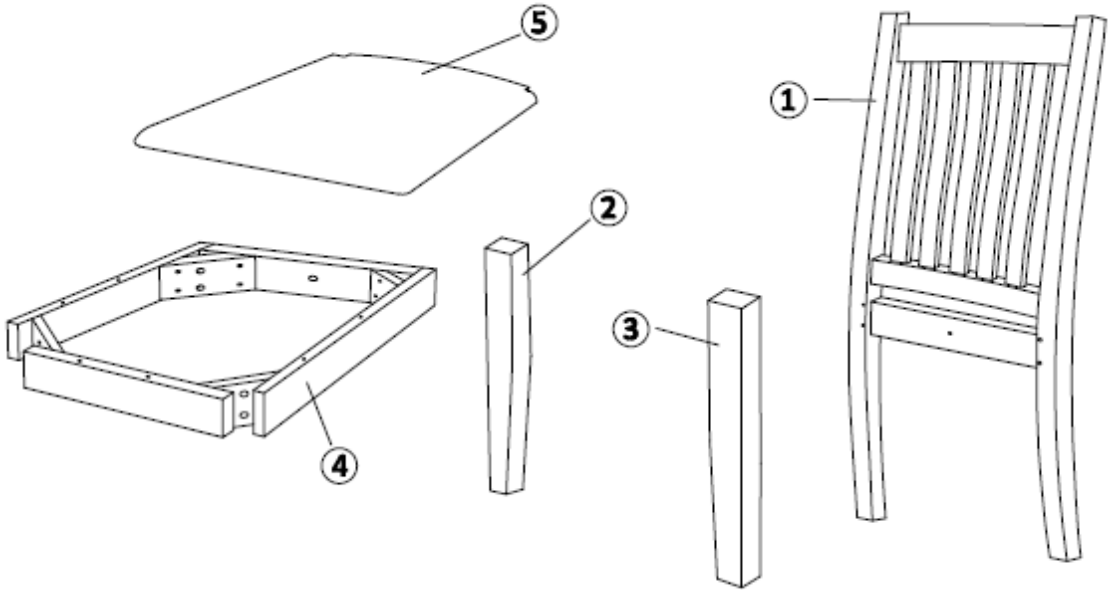
### Before you start:

1. Choose a clean, level, spacious assembly area. Avoid hard surfaces that may damage the product
2. Take care when lifting. Product should be assembled as near as possible to the point of use
3. Ensure that you have all required contents for complete assembly
4. Always read the assembly instructions carefully before beginning assembly.
5. Keep all hardware parts and packaging out of reach of small children.
6. Do not over tighten the screws and bolts as this may damage the threads




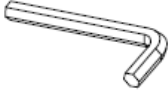




	
<b>ALLOW 20 MINUTES</b>	<b>PEOPLE REQUIRED</b>
	
<b>TOOL REQUIRED</b>	



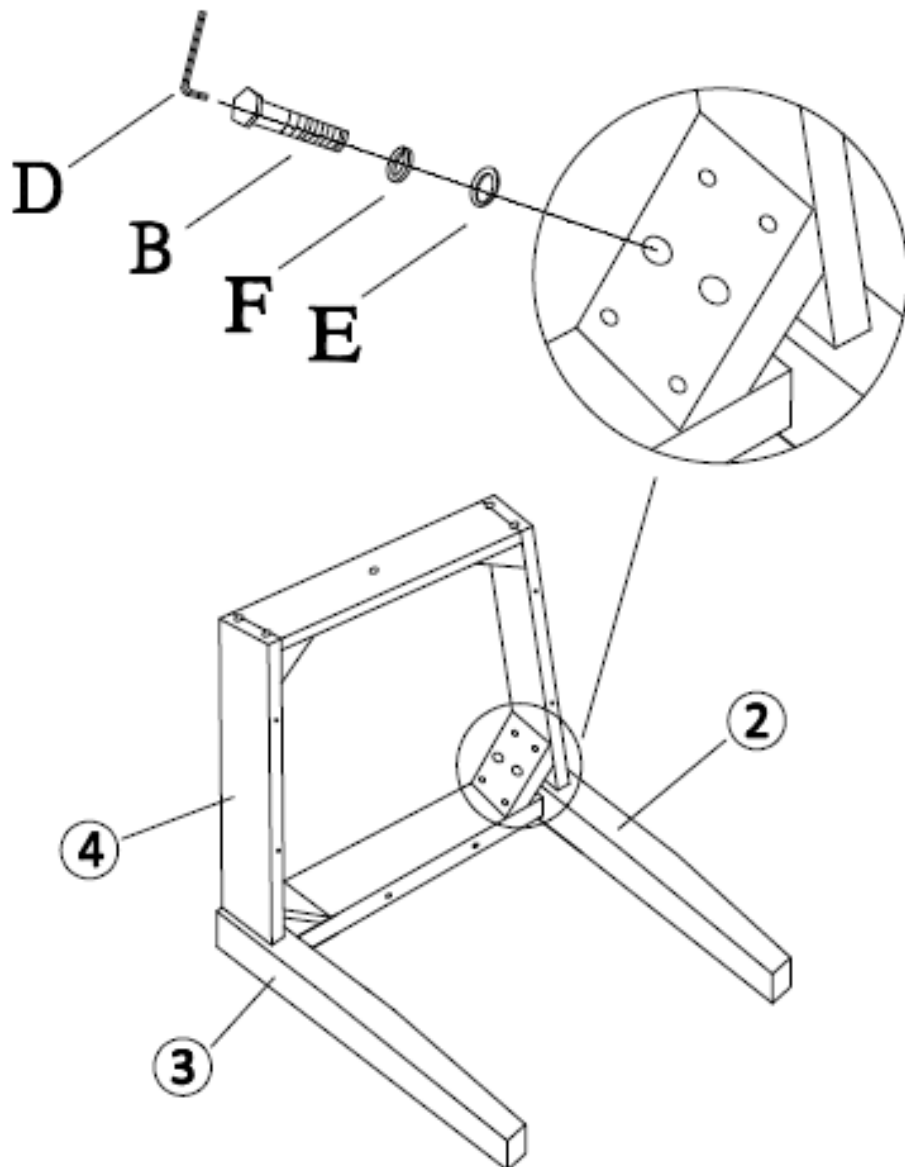
# PARTS LIST



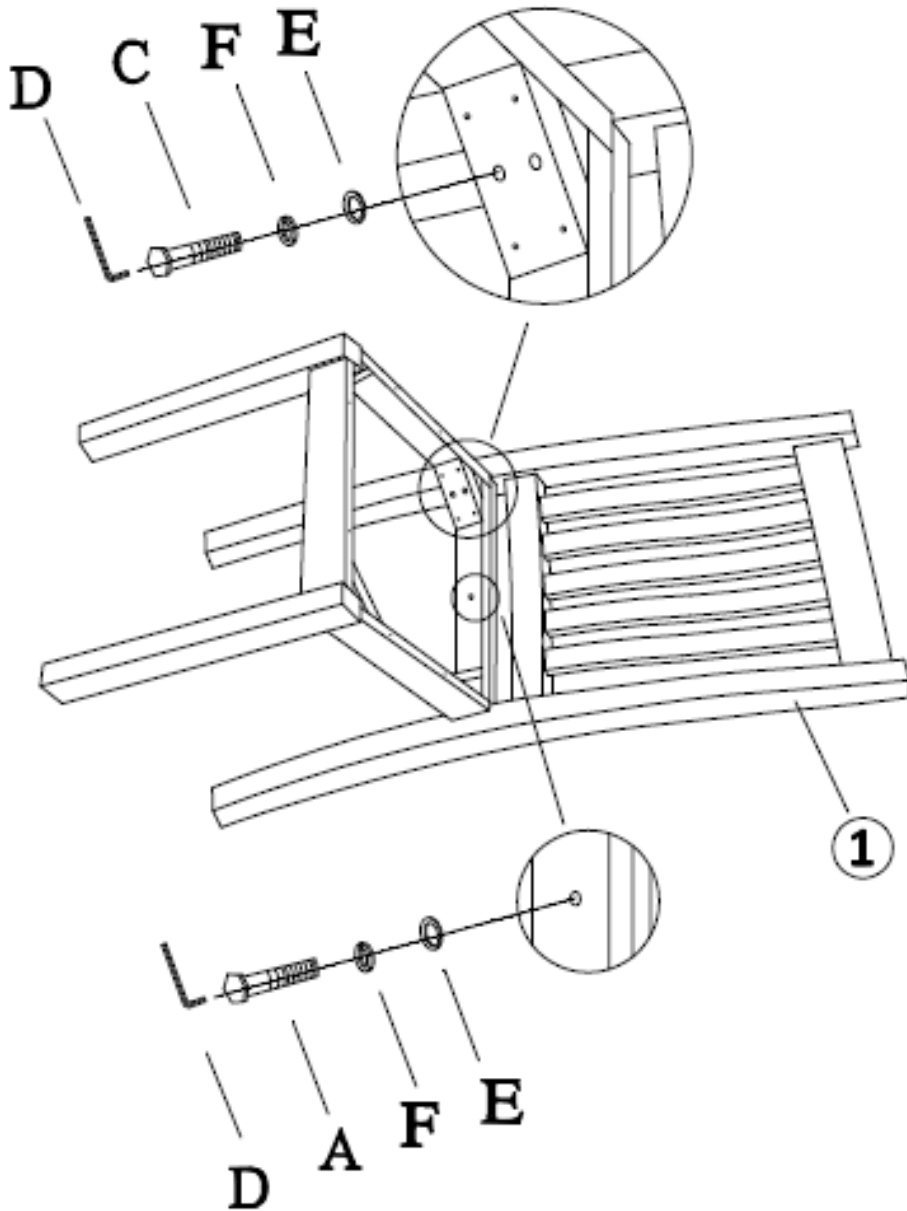
1	BACK ASSEMBLY
2	RIGHT FRONT LEG
3	LEFT FRONT LEG
4	APRON FRAME
5	SEAT PAD

<b>A. BOLT 1/4"X45MM</b>  <b>1PCS</b>	<b>B. BOLT 1/4"X75MM</b>  <b>4PCS</b>	<b>C. BOLT 1/4"X90MM</b>  <b>4PCS</b>	<b>D. ALLEN KEY</b>  <b>1PCS</b>
<b>E. FLAT WASHER</b>  <b>9PCS</b>	<b>F. LOCK WASHER</b>  <b>9PCS</b>	<b>G. SCREW 4X40MM</b>  <b>6PCS</b>	<b>H. NON-SLIP MAT</b>  <b>4PCS</b>

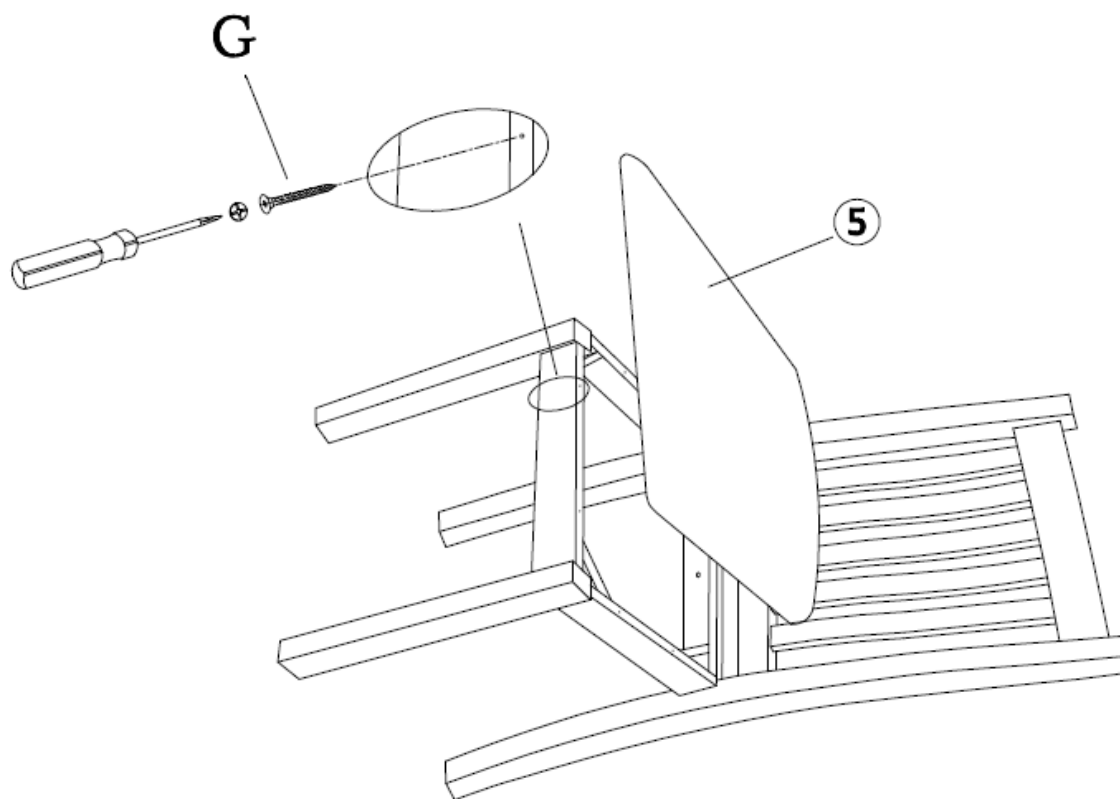
**STEP1** Assemble bolts (B), lock washer (F) and flat washer (E) through each corner block of the apron frame(4) to the front legs(2) &(3) with AlleyKey(D).  
Do not tighten the bolts at this point in time.



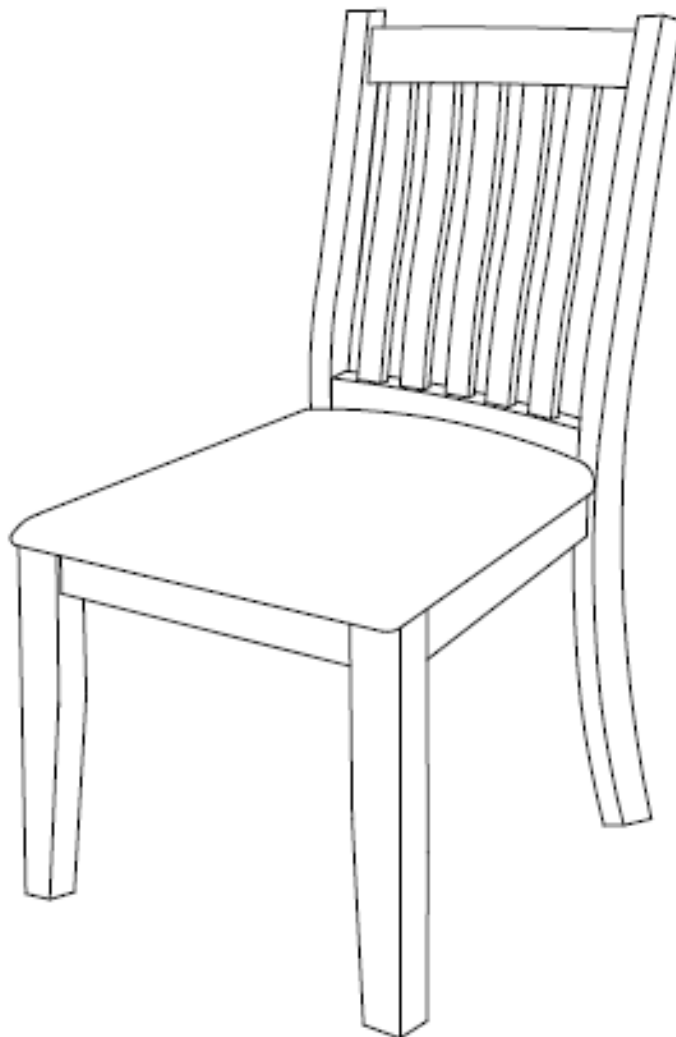
**STEP2** Assemble bolts (C), lock washer (F), flat washer (E) through each corner block of the apron frame and bolts (A), lock washer (F), flat washer (E) to the back assembly(1) with Alley Key(D). Do not tighten the bolts at this point in time.



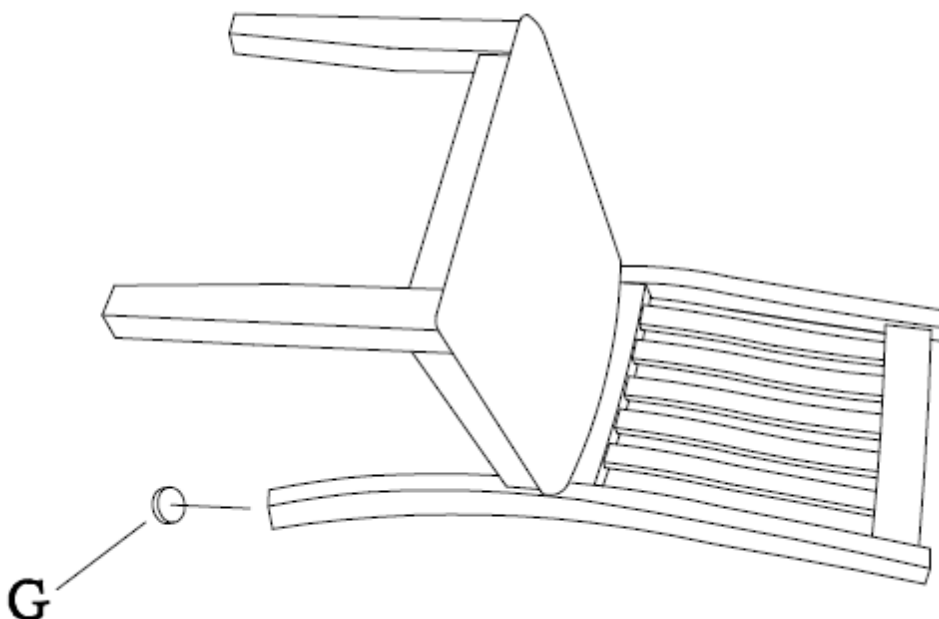
**STEP3** Assemble screws (G) through the apron frame to the seat pad with with screwdrive.



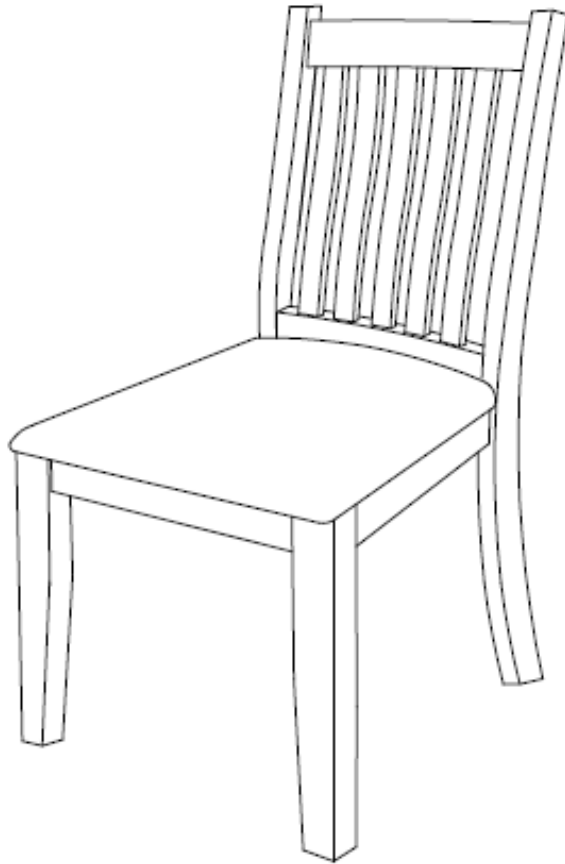
**STEP4** Carefully turn the chair over, and put the chair on the floor. Tighten each loose bolt a little at a time while making sure the chair remains level. Repeat until all loose bolts are tight.



**STEP5** Assemble the non-slip mats (H) on bottom of each leg.  
Then carefully turn the chair over.



## ASSEMBLY IS COMPLETE



**Do Not:** Use chair/stool as a ladder Climb on the chair/stool. Stand on the foot-rest of the chair/stool, as this could lead to the stool becoming unbalanced and overturning

# Care and maintenance

## **REGULAR CARE:**

- Protect from direct sunlight
- Vacuum regularly using low suction
- Rotate reversible cushions regularly

## **CLEANING:**

- Do not remove cushion covers for separate cleaning even though they may have zippers
- Do not wash , Do not dry clean , Do not shampoo clean
- Clean with hot water extraction machine. Professional cleaning recommended
- Do not use dishwashing liquid or laundry detergent
- Use only upholstery detergents
- Do not wet filling
- Dry in shade away from direct heat and sunlight
- Allow to dry thoroughly before re-use

## **SPOT CLEANING:**

- Do not rub
- Do not spot clean with any solvent
- Treat spills and stains as soon as possible
- Gently scrape off any soil or mop any liquid from the surface of the fabric
- Apply proprietary cleaning agents strictly according to instructions to remove the residue of the spill
- Do not saturate the fabric or interior with water or other cleaning liquids

## **WARNING:**

Apply only water-based soil resist (fabric protection) treatments. Do not use aerosol products

- \* PILLING IS NOT A FABRIC DEFECT OR FAULT AND IS NOT COVERED BY WARRANTY
- \* PILLING IS A NORMAL OCCURRENCE CAUSED BY WEAR AND TEAR AND DOES NOT AFFECT THE DURABILITY OR FUNCTIONALITY OF THE FABRIC AND IS EASILY REMOVED

## **Do not:**

- Use chair/stool as a ladder
- Climb on the chair/stool
- Stand on the foot-rest of the chair, as this could lead to the stool becoming unbalanced and overturning