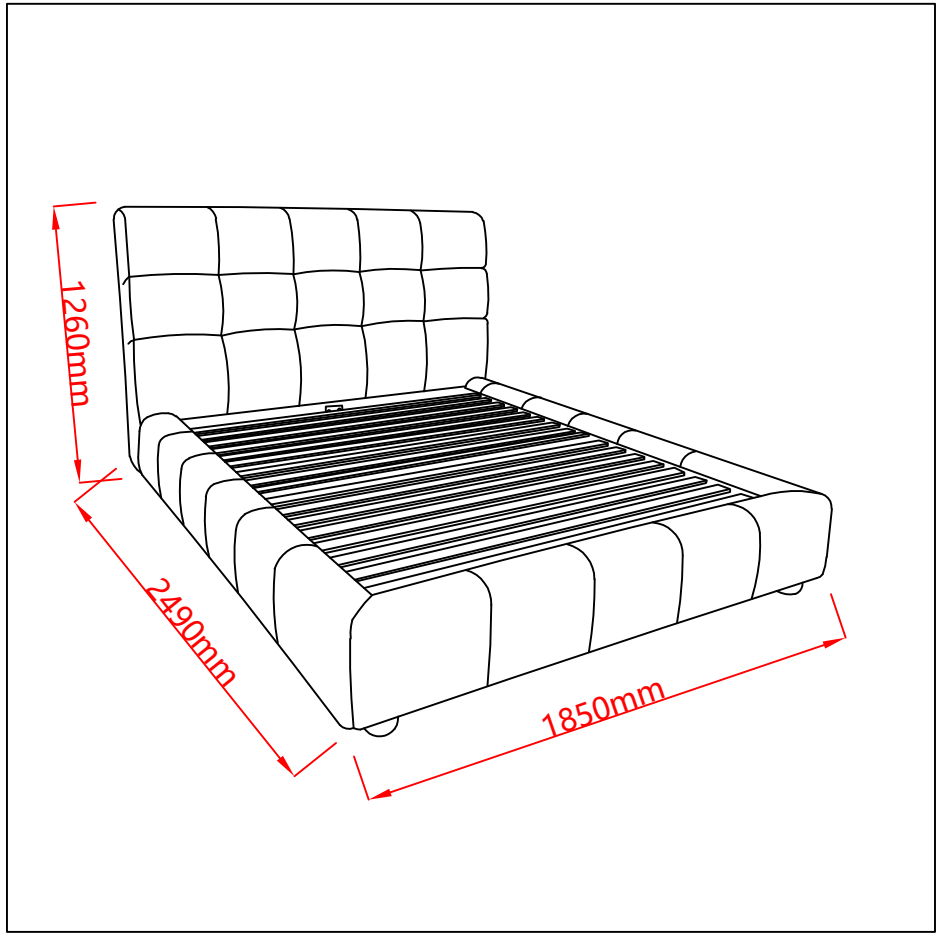




ASSEMBLY INSTRUCTION
LUELLA QUEEN BED
ITEM CODE 8 6 7 0 6

Imported by Amart Furniture Pty Ltd, Qld, Brisbane Australia.
For any assistance with assembly or for missing parts please phone
Amart furniture, Customer Service Free call 1800 351 084

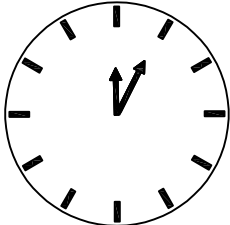
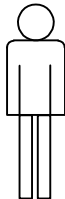



Imported by Amart Furniture Pty Ltd, Qld, Brisbane Australia.
For any assistance with assembly or for missing parts please
phone Amart Furniture, Customer Service Free Call
1800 351 084

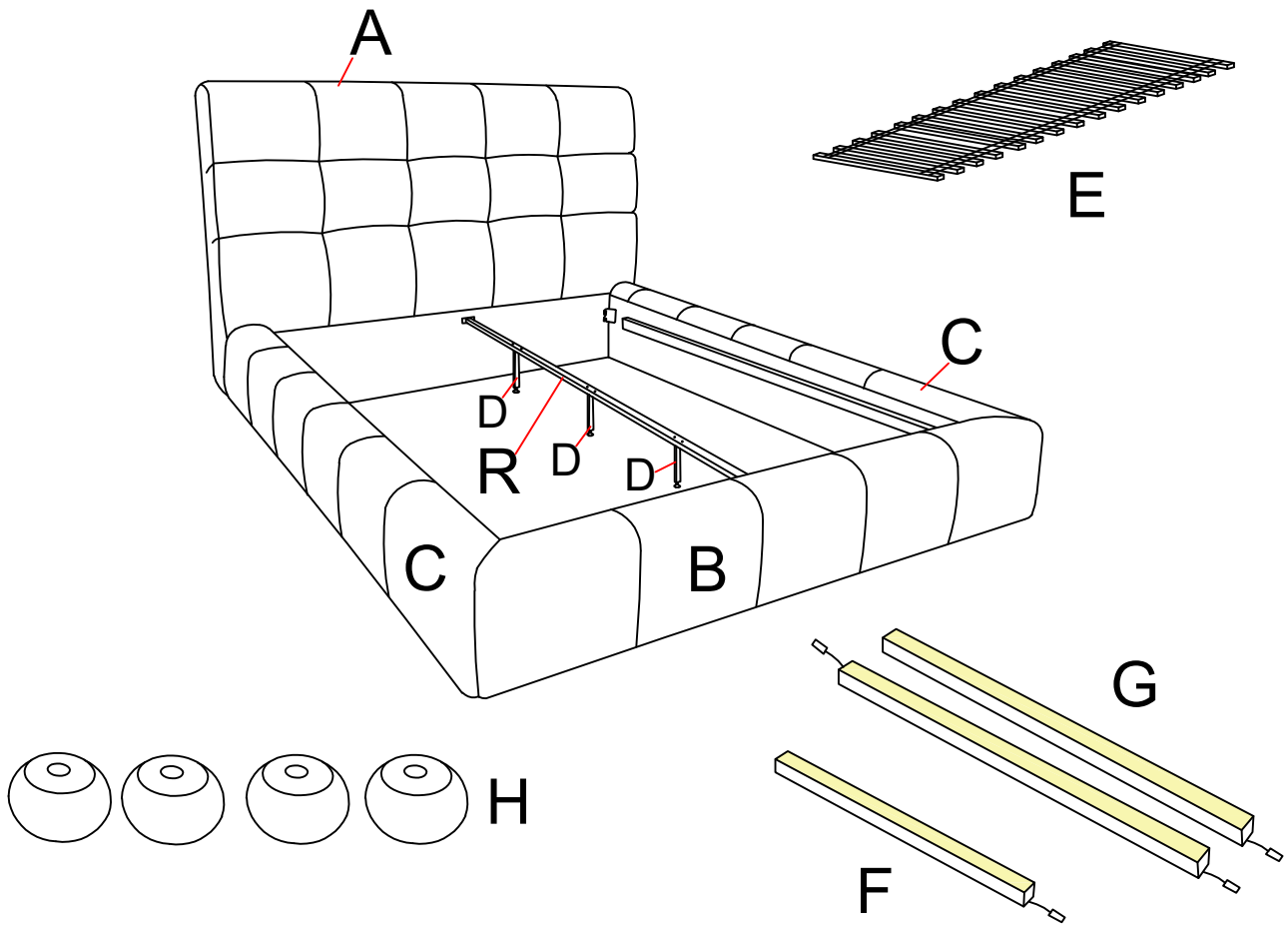
PRE-ASSEMBLY PREPARATION

Before you start:

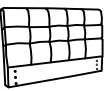
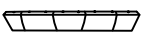

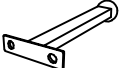



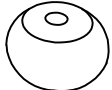
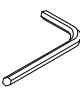






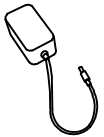



1. Choose a clean, level, spacious assembly area. Avoid hard surfaces that may damage the product
2. Take care when lifting. Product should be assembled as near as possible to the point of use
3. Ensure that you have all required contents for complete assembly
4. Always read the assembly instructions carefully before beginning assembly
5. Keep all hardware parts and packaging out of small children
6. Do not over tighten the screws and bolts as this may damage the threads

		
ALLOW 90 MINUTES	2 PEOPLE REQUIRED	ADDITIONAL TOOLS REQUIRED

PARTS LIST

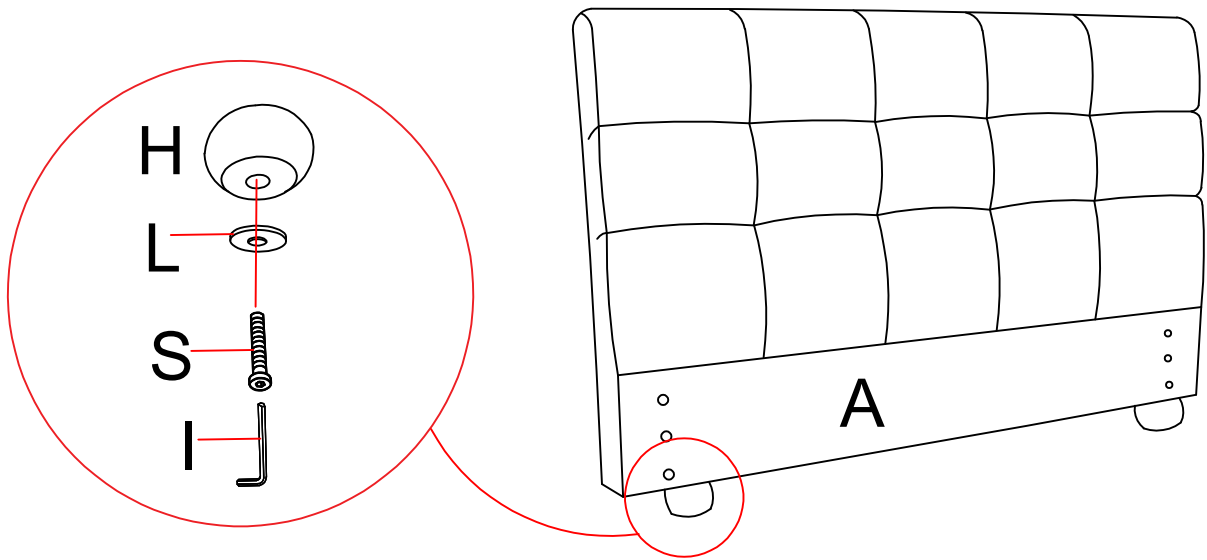


The slats are packed in the back of the headboard.

A.1PC  Headboard	B.1PC  Footboard	C.2PCS  Rail	D.3PCS  Support leg	E.17PCS (1540*60*12MM)  Slat	F.1PC  Light belt of footboard	G.2PCS  Light belt of rail
H.4PCS  Leg	I.1PC(M5*100mm)  Allen key	J.1PC(M12)  Wrench	K.6PCS(M8*12mm)  Nut	L.14PCS(M8*19mm)  Flat washer	M.6PCS(M8*35mm)  Allen bolt	N.4PCS(M8*25mm)  Allen bolt
O.30PCS  Fixed button	P.1PC  Power supply unit	Q.30PCS  Screw	R.1PC  Center slat rail	S.4PCS(M8*50mm)  Allen bolt		

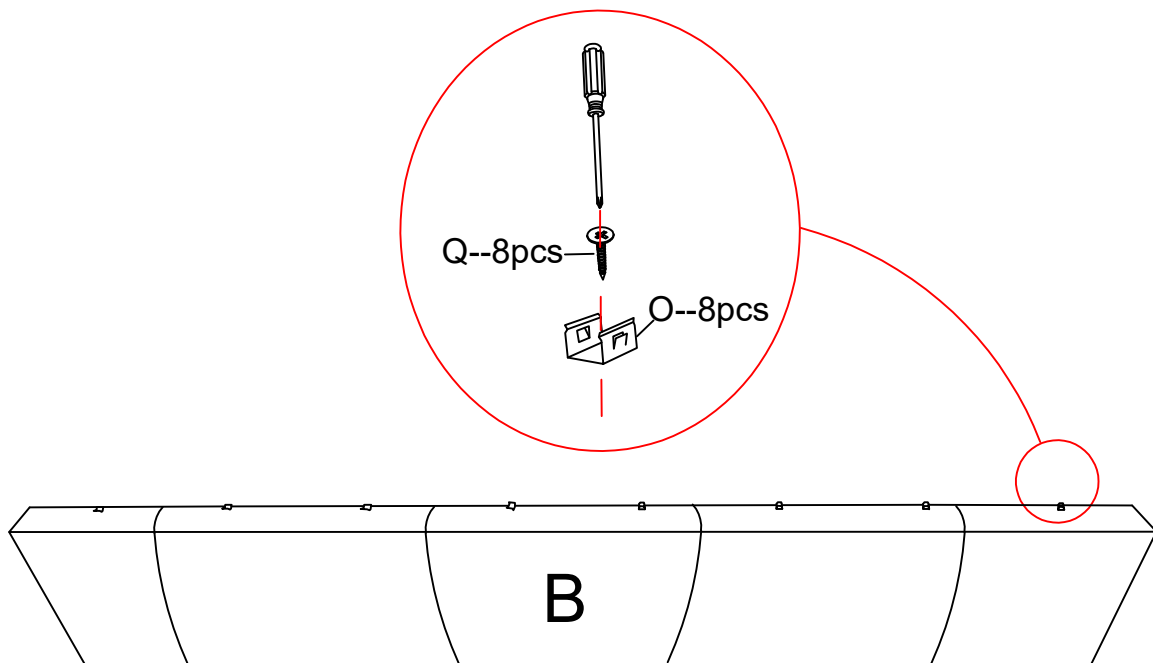
STEP 1

Attach Legs (H) to Headboard (A), using Flat washer (L) and Bolt (S) as shown below, then tighten with Allen key (I).



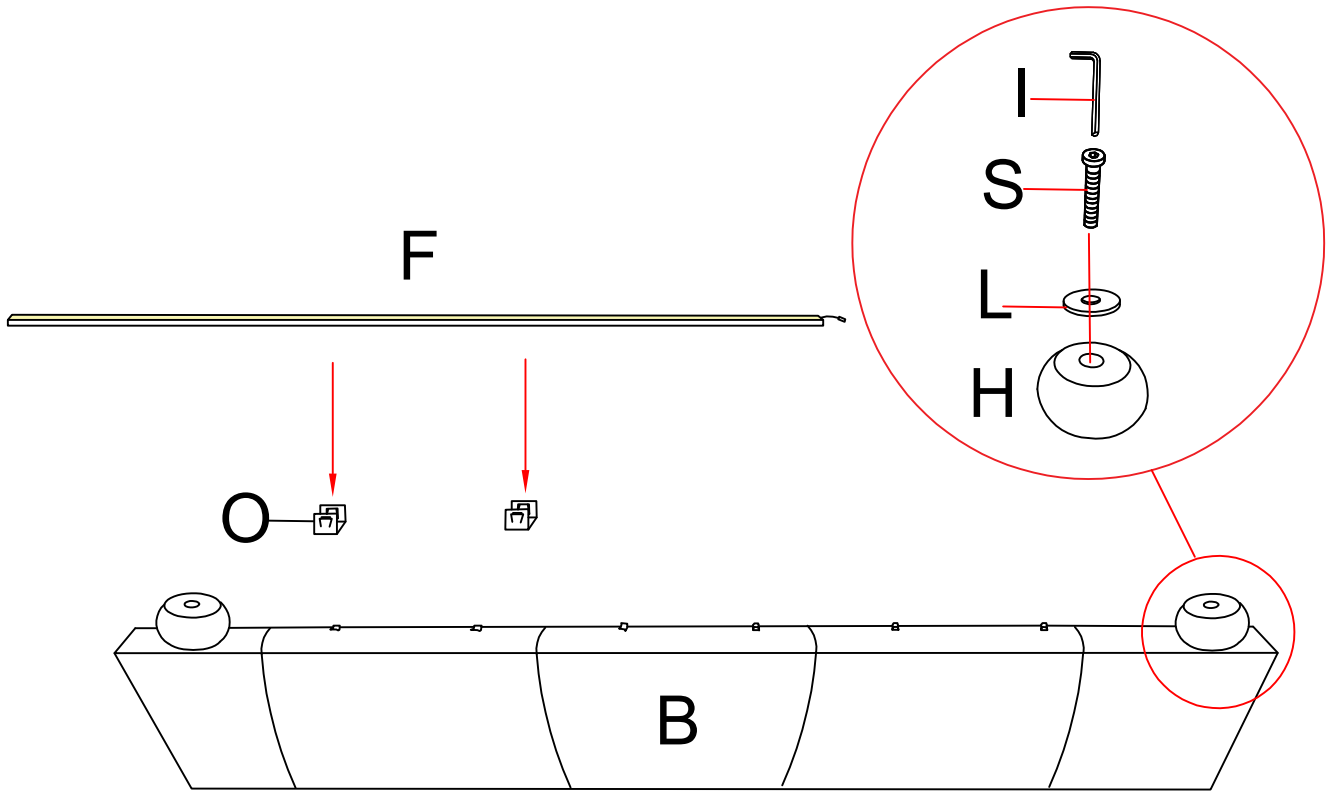
STEP 2

Attach fixed button (O) to the white line on the footboard (B), using Screw (Q) as shown below, then tighten with tools. Make sure all the fixed buttons remain in the white line.



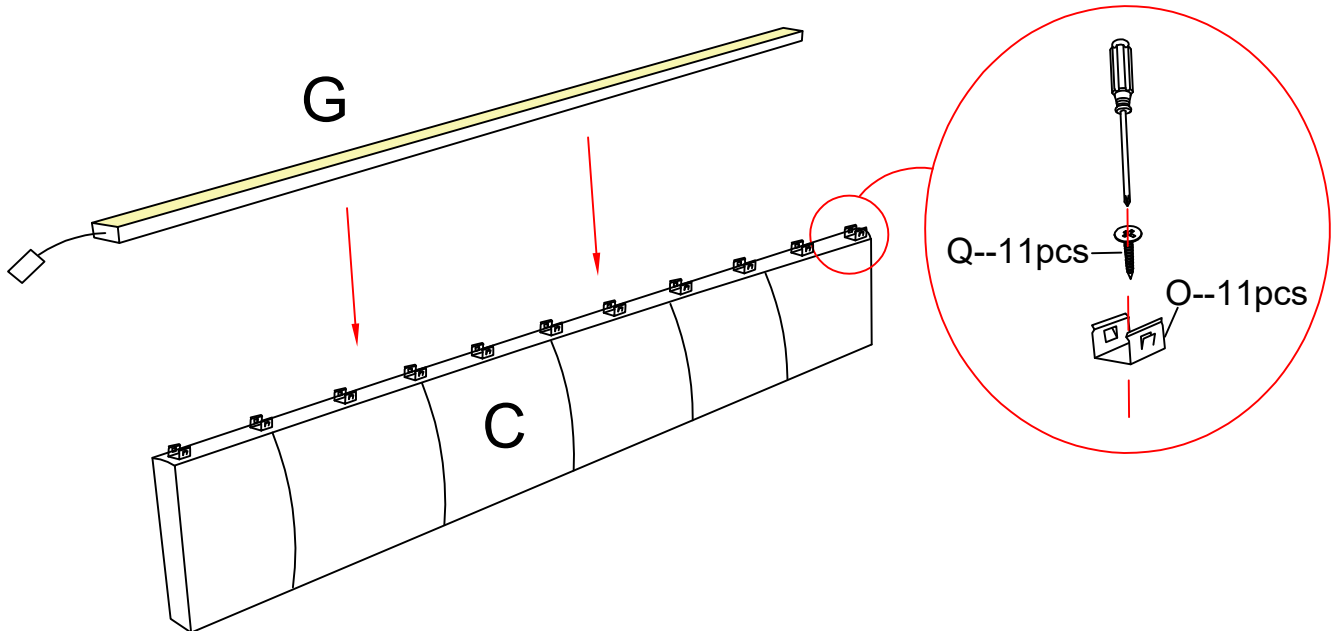
STEP 3

Attach Legs (H) to Footboard (B), using Flat washer (L) and Bolt (S) as shown below, then tighten with Allen key (I). Then fix the LED (F) onto the Fixed button and press it firmly.



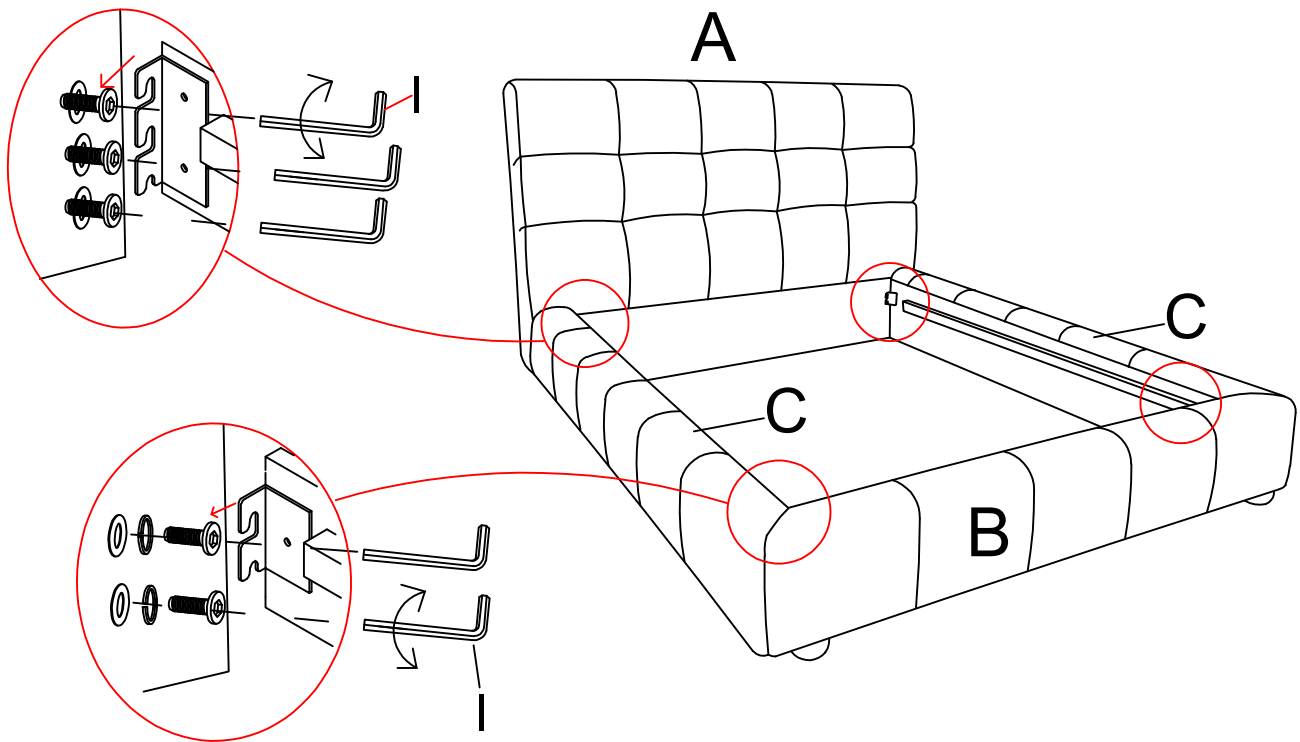
STEP 4

Attach fixed button (O) to the white line on the Rails (C), using Screw (Q) as shown below, then tighten with tools. Make sure all the fixed buttons remain in the white line. Then fix the LED (G) onto the Fixed button and press it firmly.



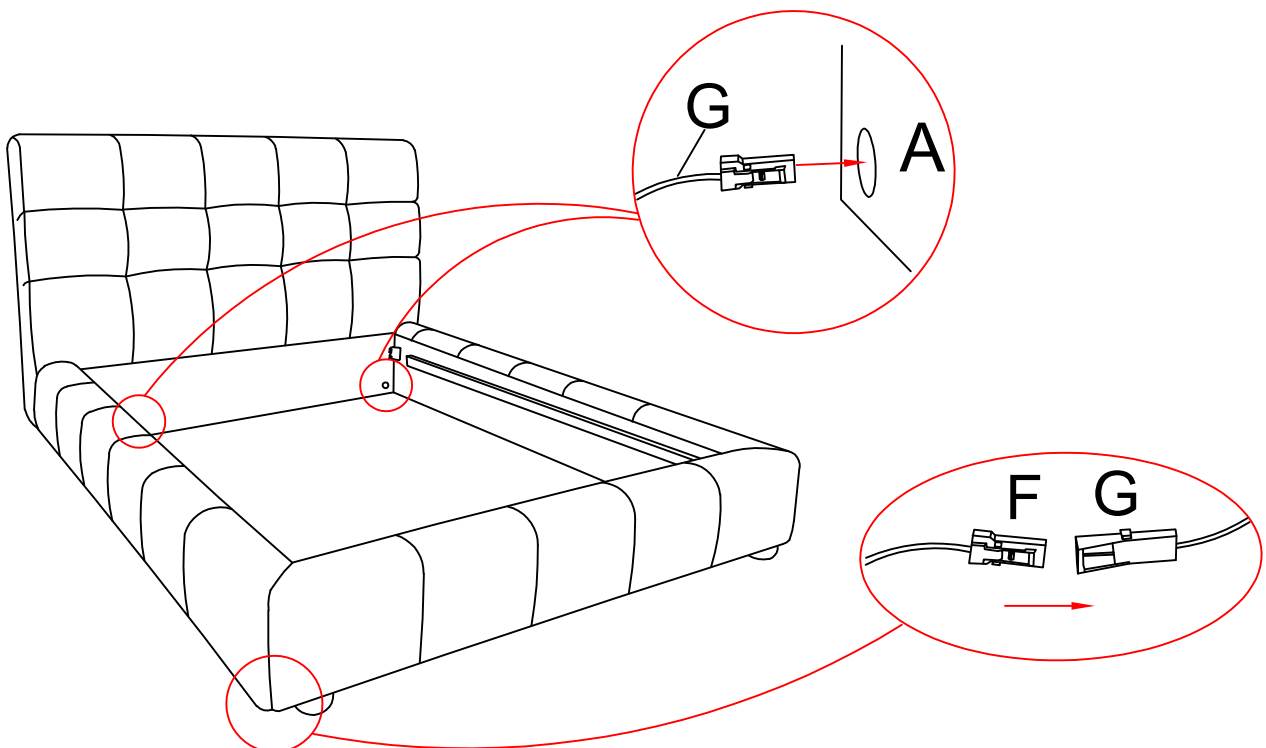
STEP 5

Attach Rails (C) to Metal brackets on Headboard (A) and Footboard (B), then tighten with allen key (I).

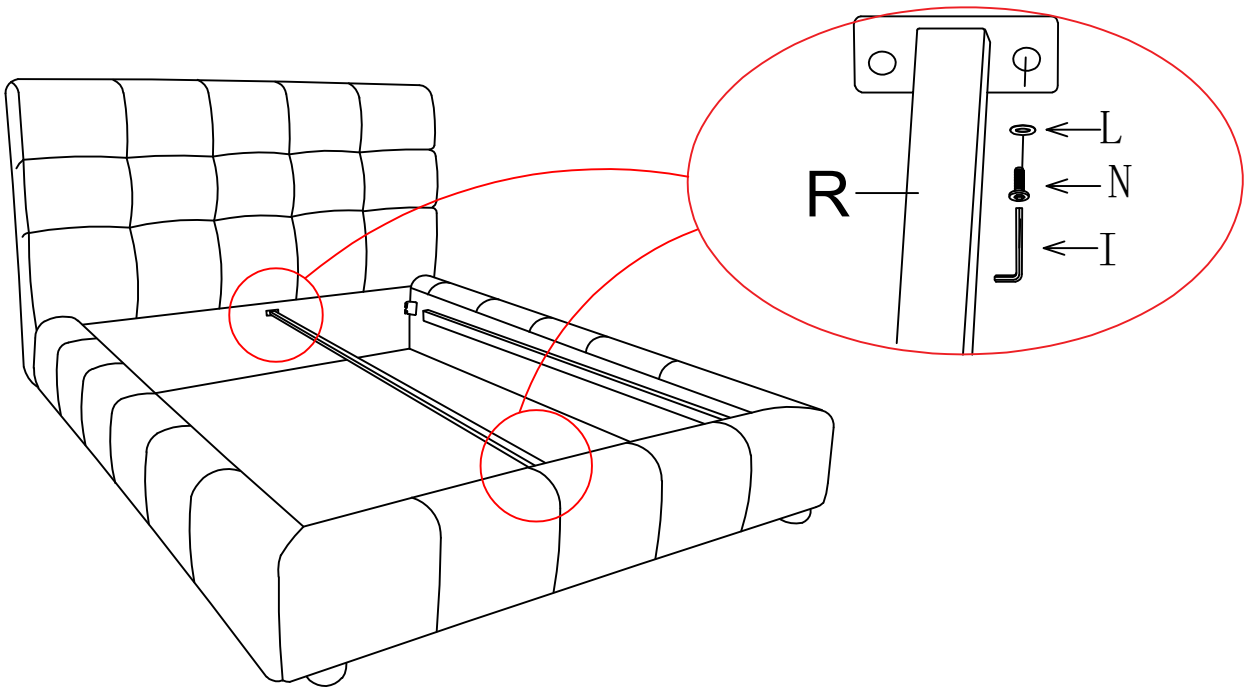


STEP 6

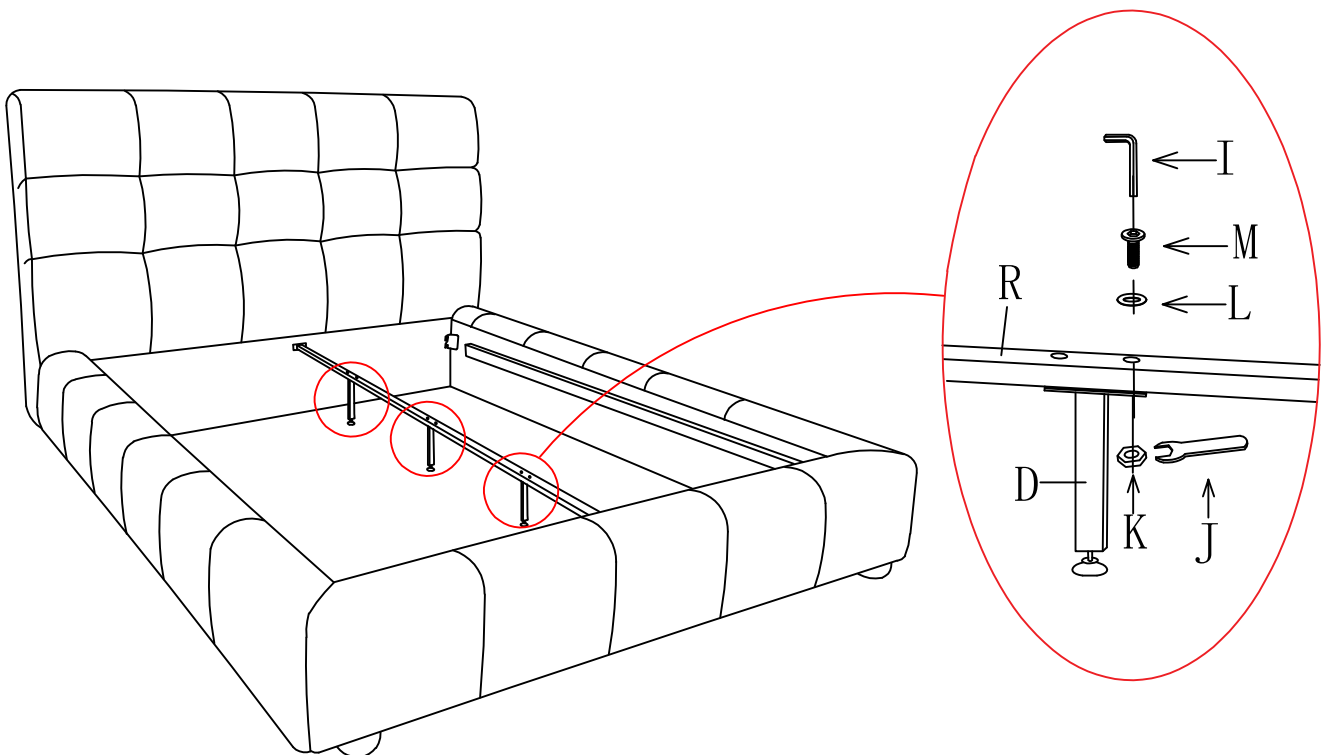
Insert the wires at both ends of the LED into the pre-made holes in the headboard(A).Then connect the LED at end of the footboard and the rails LED together as shown below.



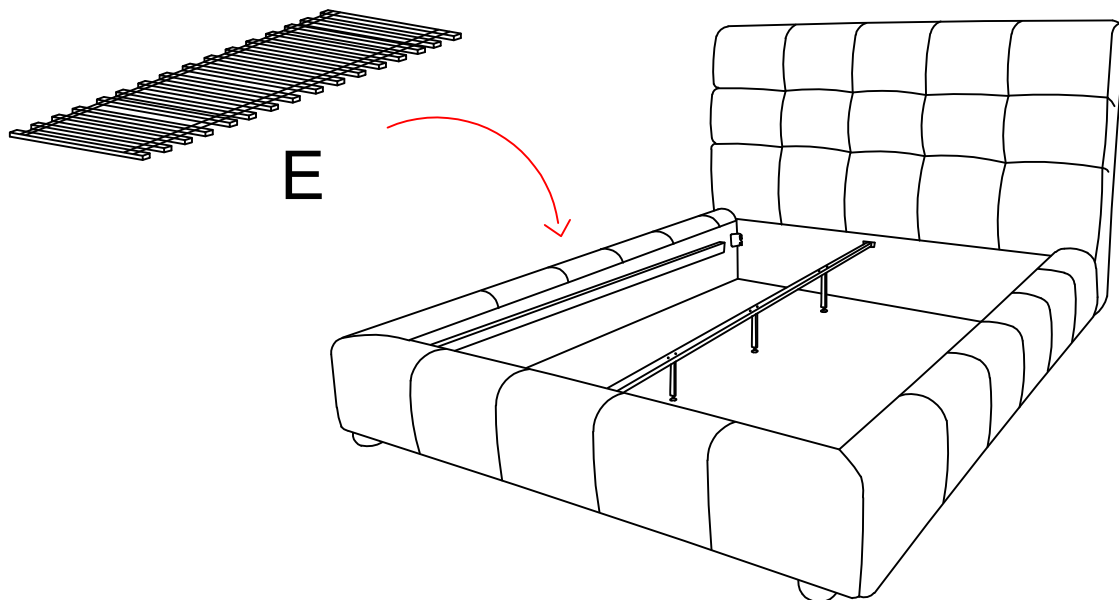
STEP 7 Attach Centre slat rail(R) to Headboard and Footboard, using flat washer(L) and bolt(N) as shown below, then tighten with allen key(I).



STEP 8 Attach Centre support legs(D) to centre slat rail(R), using flat washer(L) nut(K), and bolt(M) as shown below, then tighten with allen key(I) and wench(J).

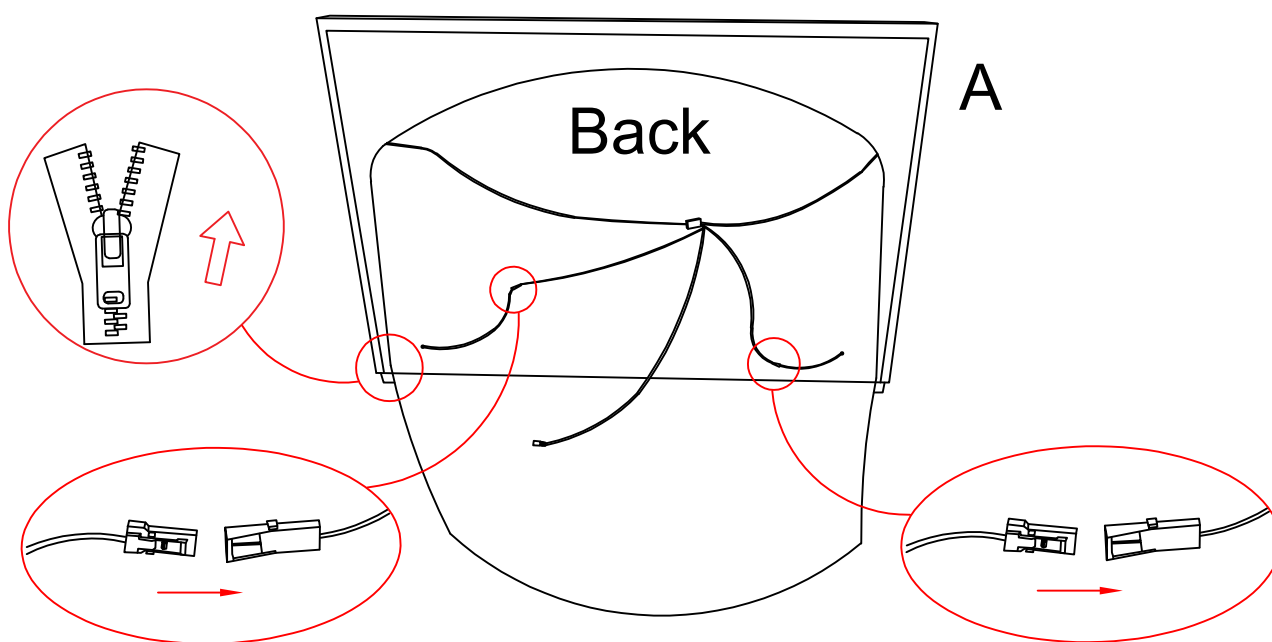


STEP 9



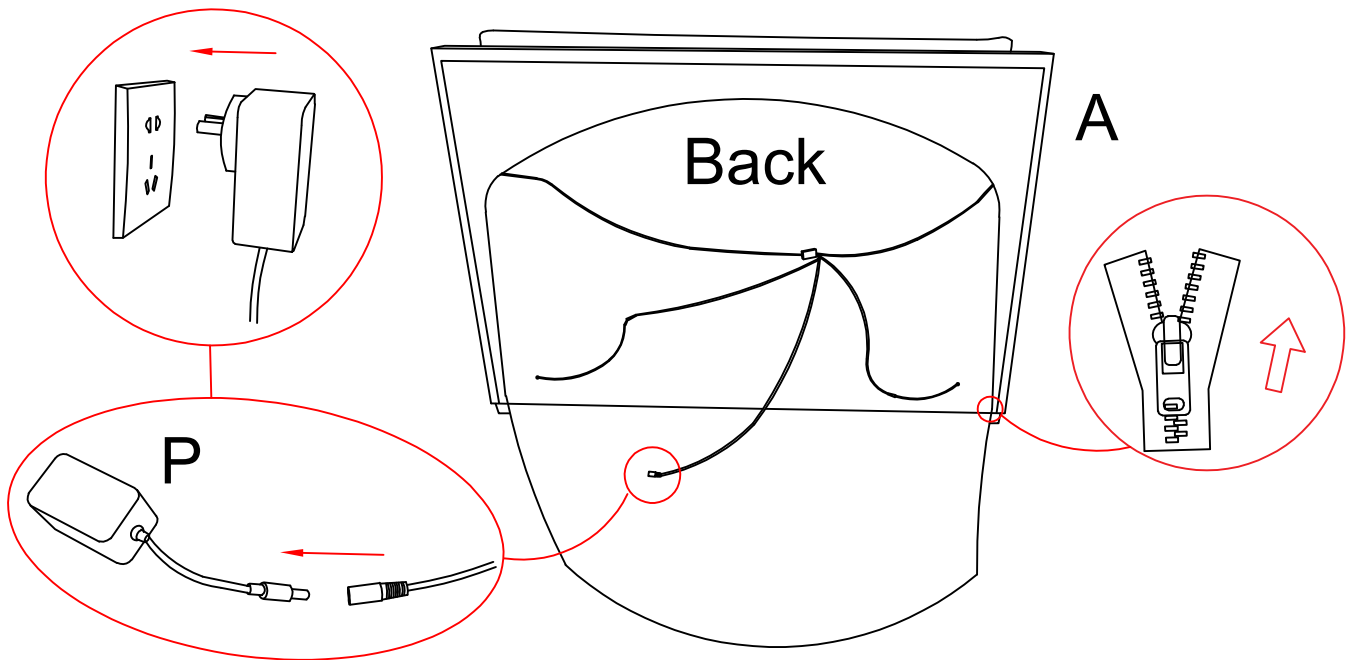
STEP 10

Open the back zipper of the headboard and connect the LED wires to the integrated controller wires as shown below.



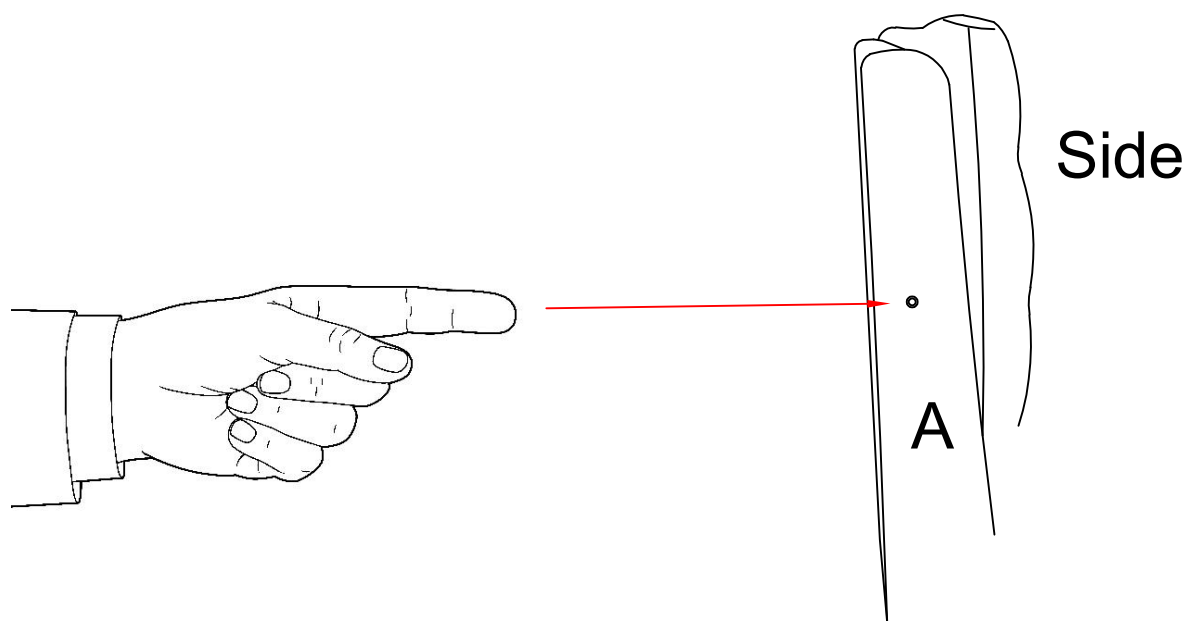
STEP 11

As shown below, connect the power supply unit.

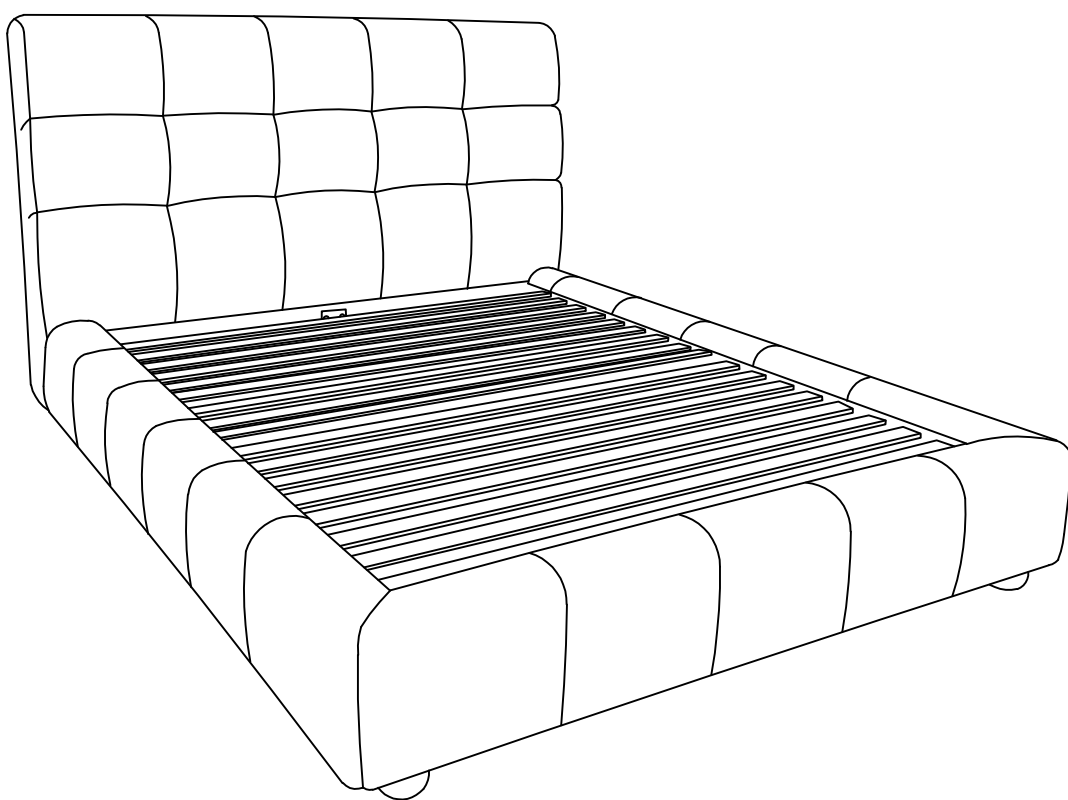


STEP 12

Note that there are control switches on both sides of the headboard.



ASSEMBLY IS COMPLETE



CAUTION:

ALWAYS LIFT YOUR BED WHEN MOVING/RELOCATING - DO NOT DRAG. DRAGGING CAN CAUSE THE CENTRE SUPPORT LEGS TO BEND/BREAK.

IMPORTANT NOTE:

THE FELT PAD ON THE BOTTOM OF THE BED LEG IS SUBJECT TO WEAR. AMART RECOMMENDS REGULAR ROUTINE CHECKS AND REPLACEMENT WHERE NECESSARY.

Fabric Care and Maintenance



REGULAR CARE:

- Protect from direct sunlight
- Vacuum regularly using low suction
- Rotate reversible cushions regularly

CLEANING:

- Do not remove cushion covers for separate cleaning even though they may have zippers
- Do not wash, Do not dry clean, Do not shampoo clean
- Clean with hot water extraction machine. Professional cleaning recommended
- Do not use dishwashing liquid or laundry detergent
- Use only upholstery detergents
- Do not wet filling
- Dry in shade away from direct heat and sunlight
- Allow to dry thoroughly before re-use

SPOT CLEANING:

- Do not rub
- Do not spot clean with any solvent
- Treat spills and stains as soon as possible
- Gently scrape off any soil or mop any liquid from the surface of the fabric
- Apply proprietary cleaning agents strictly according to instructions to remove the residue of the spill
- Do not saturate the fabric or interior with water or other cleaning liquids

WARNING:

Apply only water-based soil resist (fabric protection) treatments. Do not use aerosol products

* PILLING IS NOT A FABRIC DEFECT OR FAULT AND IS NOT COVERED BY WARRANTY

* PILLING IS A NORMAL OCCURRENCE CAUSED BY WEAR AND TEAR AND DOES NOT AFFECT THE DURABILITY OR FUNCTIONALITY OF THE FABRIC AND IS EASILY REMOVED