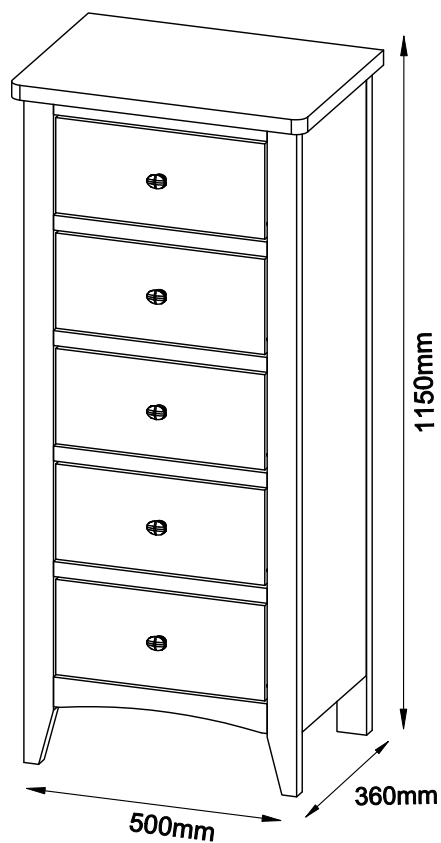


**ASSEMBLY INSTRUCTION**  
**MELVIN**  
**5 DRAWER NARROW TALL CHEST**  
ITEM CODE 85504



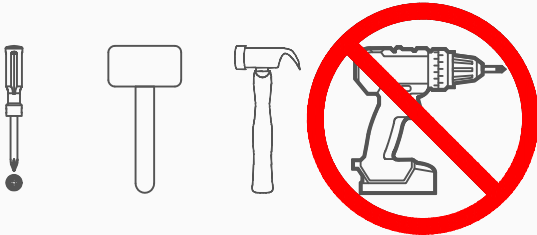




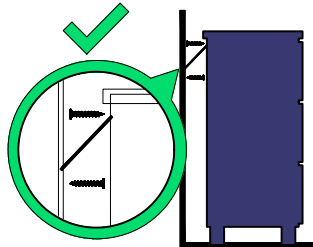

Imported by JWA Furniture Pty Ltd, Qld, Brisbane Australia  
For any assistance with assembly or for missing parts please refer to your receipt

# PRE-ASSEMBLY PREPARATION


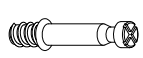
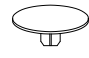
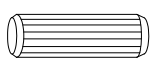





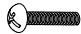


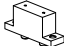
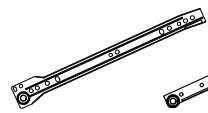
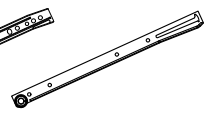
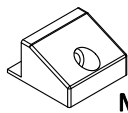

## Before you start:

1. Choose a clean, level, spacious assembly area. Avoid hard surfaces that may damage the product.
2. Take care when lifting. Product should be assembled as near as possible to the point of use.
3. Ensure that you have all required contents for complete assembly.
4. Always read the assembly instructions carefully before beginning assembly.
5. Keep all hardware parts and packaging out of reach of small children.
6. Do not over tighten the screws and bolts as this may damage the threads.
7. Assembly is to be carried out by a competent adult(s) ONLY.
8. During assembly, children should be kept away from the product due to possible risk to injury.
9. Do not use this item if any components are missing or damaged.
10. Please keep the instructions for future reference.

	
<b>ALLOW 60 MINUTES</b>	<b>PEOPLE REQUIRED</b>
	
<b>ADDITIONAL TOOL REQUIRED</b>	

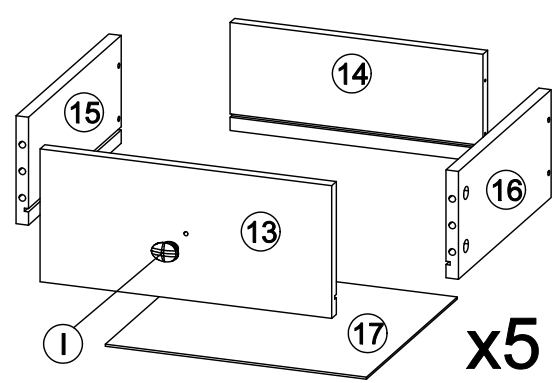
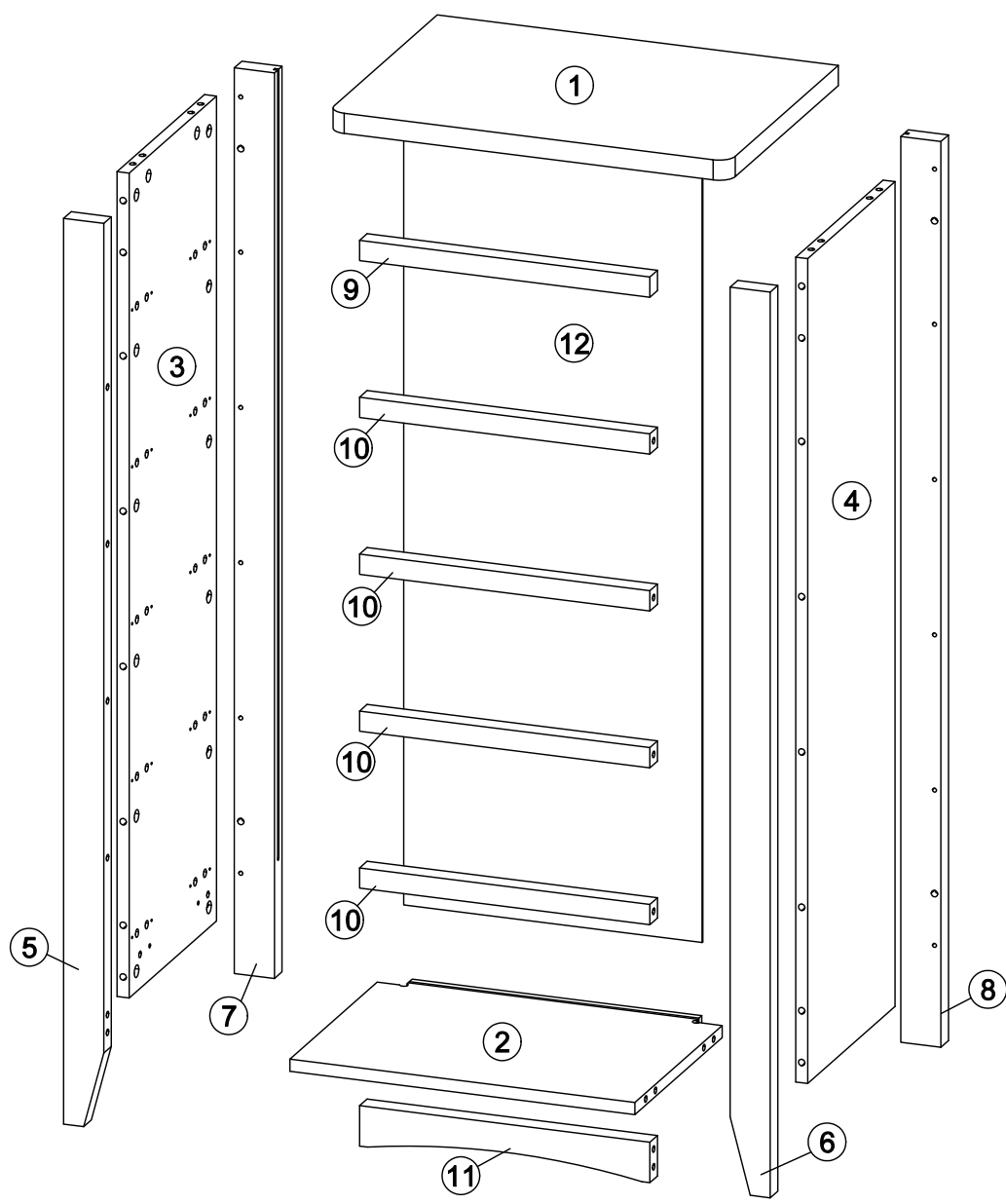
 <b>WARNING</b>		
		<p><b>Children have died from furniture tipover.</b></p> <ul style="list-style-type: none"><li>• ALWAYS secure it with an anchor device.</li><li>• NEVER allow children to stand, climb or hang on drawers, doors, or shelves.</li><li>• NEVER open more than one drawer at a time.</li><li>• Place heavy items down low</li></ul> <p><b>NEVER put a TV on this furniture</b> </p> <p><b>This is a permanent label. Do not remove!</b></p>

# PARTS LIST

<p><b>(A) X 52 SETS</b></p> <div style="display: flex; justify-content: space-around; align-items: center;"> <div style="text-align: center;">  A1         </div> <div style="text-align: center;">  A2         </div> <div style="text-align: center;">  A3         </div> </div> <p style="text-align: center;">MINIFIX</p>	<p><b>(B) X 38</b></p> <div style="text-align: center;">  WOOD DOWEL M8 X 30         </div>	<p><b>(C) X 4</b></p> <div style="text-align: center;">  5/8 PVC NAIL LEG         </div>	<p><b>(D) X 1</b></p> <div style="text-align: center;">  ALLEN KEY M4         </div>	<p><b>(E) X 74</b></p> <div style="text-align: center;">  M3.5 X 16MM C.B SCREW         </div>		
<p><b>(F) X 40</b></p> <div style="text-align: center;">  M4 X 20MM C.B SCREW         </div>	<p><b>(G) X 20</b></p> <div style="text-align: center;">  M4 X 38MM C.B SCREW         </div>	<p><b>(H) X 5</b></p> <div style="text-align: center;">  M4 X 22MM HANDLE SCREW         </div>	<p><b>(I) X 5</b></p> <div style="text-align: center;">  HANDLE KNOB 5166028 SS         </div>	<p><b>(J) X 12</b></p> <div style="text-align: center;">  DOUBLE HOLE FITTING S125         </div>	<p><b>(K) X 20</b></p> <div style="text-align: center;">  PVC BLOCK         </div>	
<p><b>(L) X 5 SETS</b></p> <div style="display: flex; justify-content: space-around; align-items: center;"> <div style="text-align: center;">  L1         </div> <div style="text-align: center;">  L2         </div> </div> <p style="text-align: center;">DRAWER SLIDE 12"</p>		<p><b>(M) X 8 SETS</b></p> <div style="display: flex; justify-content: space-around; align-items: center;"> <div style="text-align: center;">  M1         </div> <div style="text-align: center;">  M2         </div> </div> <p style="text-align: center;">STUB 192 WITH SCREW</p>				

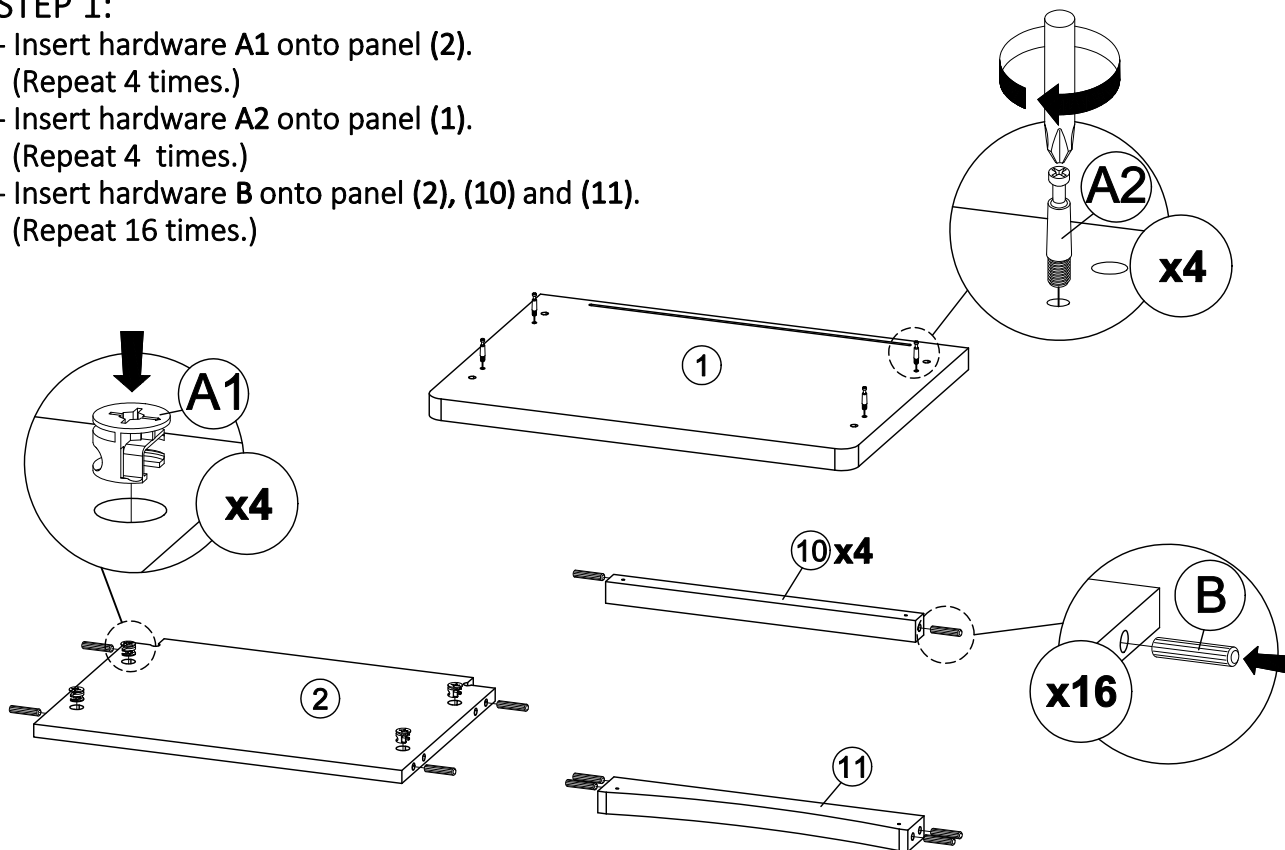
1	TOP PANEL	1 PC
2	BOTTOM PANEL	1 PC
3	SIDE PANEL (L)	1 PC
4	SIDE PANEL (R)	1 PC
5	FRONT LEG (L)	1 PC
6	FRONT LEG (R)	1 PC
7	BACK LEG (L)	1 PC
8	BACK LEG (R)	1 PC
9	FRONT BAR (1)	1 PC

10	FRONT BAR (2)	4 PCS
11	LEG PANEL	1 PC
12	BACK PANEL	1 PC
13	DRAWER FRONT	5 PCS
14	DRAWER BACK	5 PCS
15	DRAWER SIDE (L)	5 PCS
16	DRAWER SIDE (R)	5 PCS
17	DRAWER BOTTOM	5 PCS



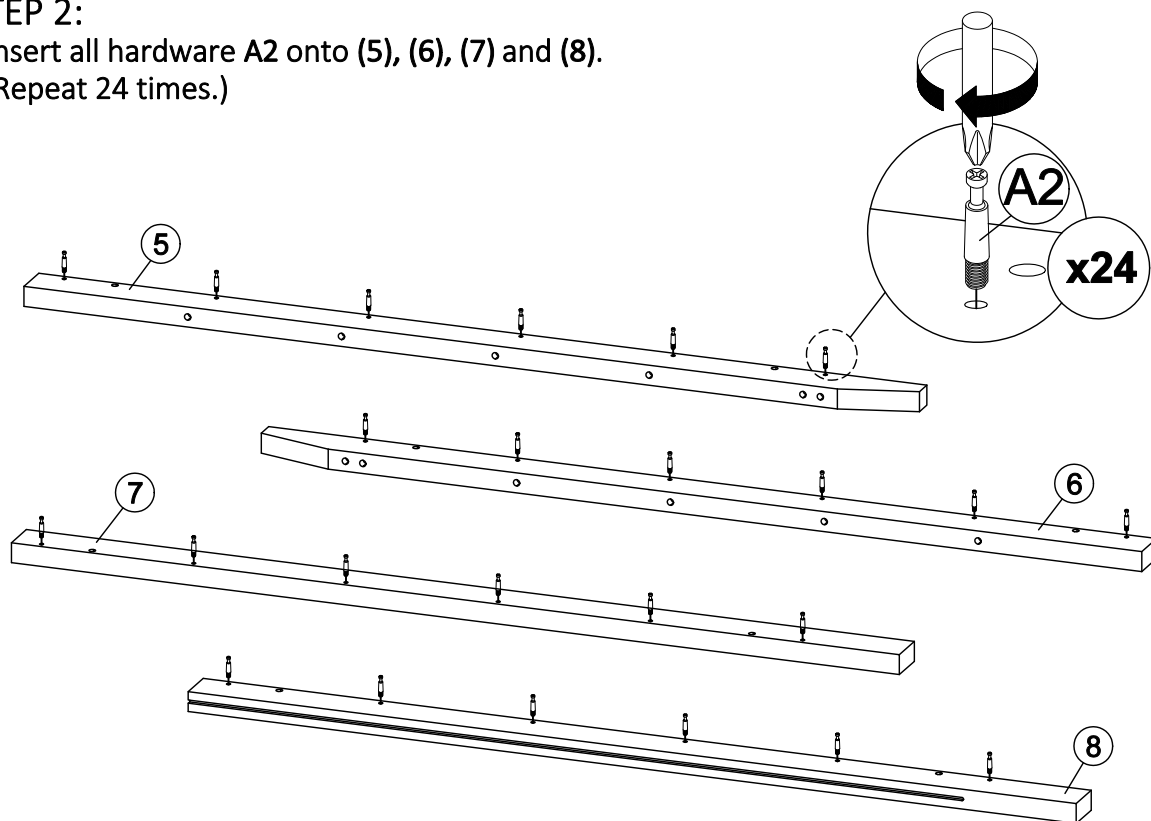
**STEP 1:**

- Insert hardware A1 onto panel (2).  
(Repeat 4 times.)
- Insert hardware A2 onto panel (1).  
(Repeat 4 times.)
- Insert hardware B onto panel (2), (10) and (11).  
(Repeat 16 times.)



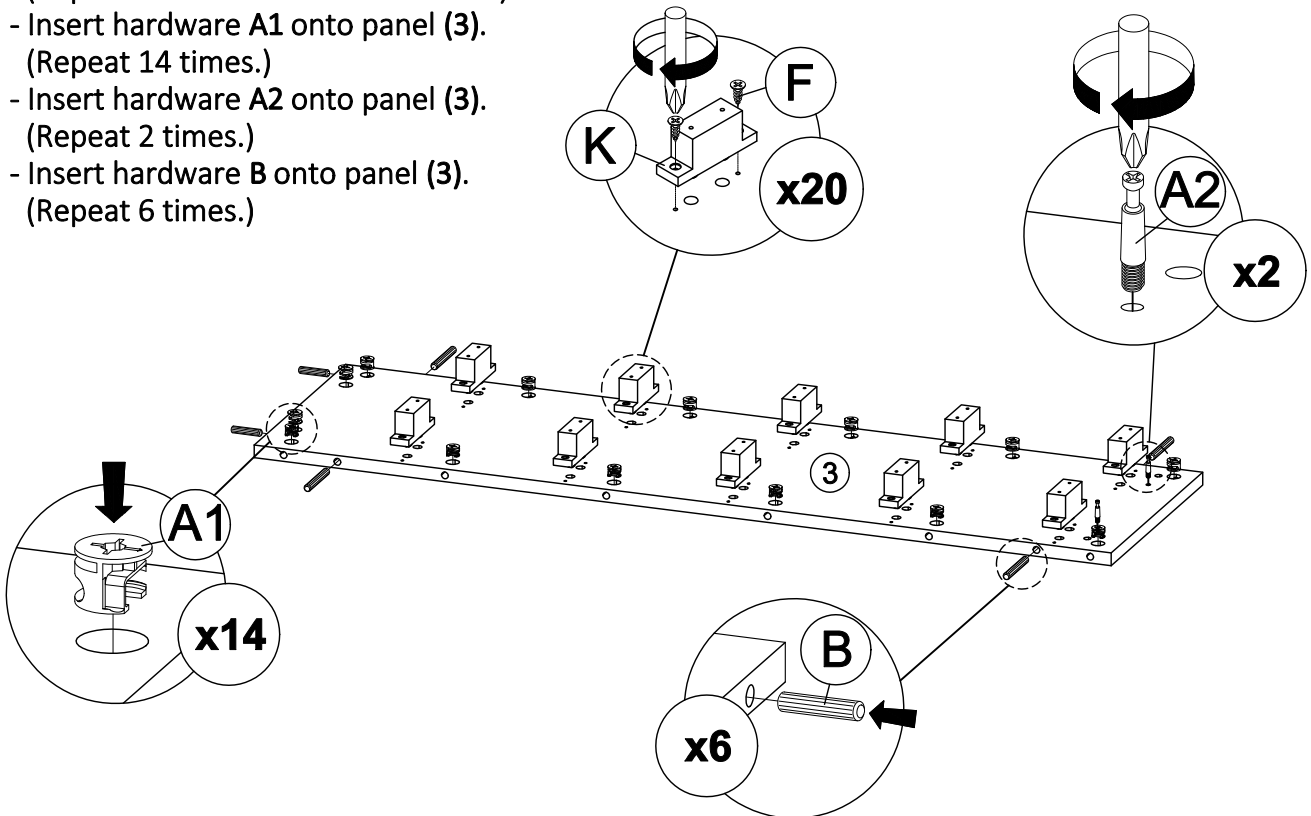
**STEP 2:**

- Insert all hardware A2 onto (5), (6), (7) and (8).  
(Repeat 24 times.)



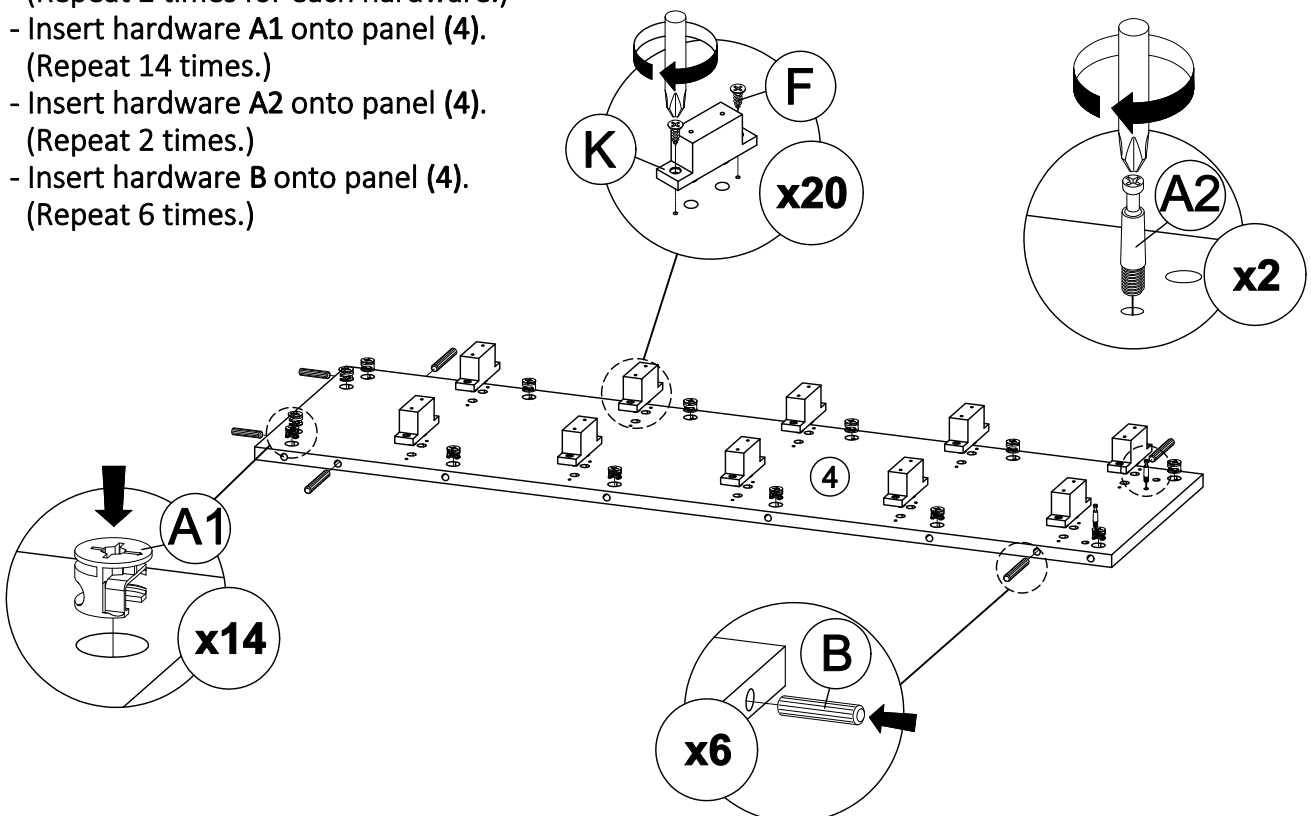
### STEP 3:

- Assemble hardware K onto panel (3) by using hardware F.  
(Repeat 2 times for each hardware.)
- Insert hardware A1 onto panel (3).  
(Repeat 14 times.)
- Insert hardware A2 onto panel (3).  
(Repeat 2 times.)
- Insert hardware B onto panel (3).  
(Repeat 6 times.)



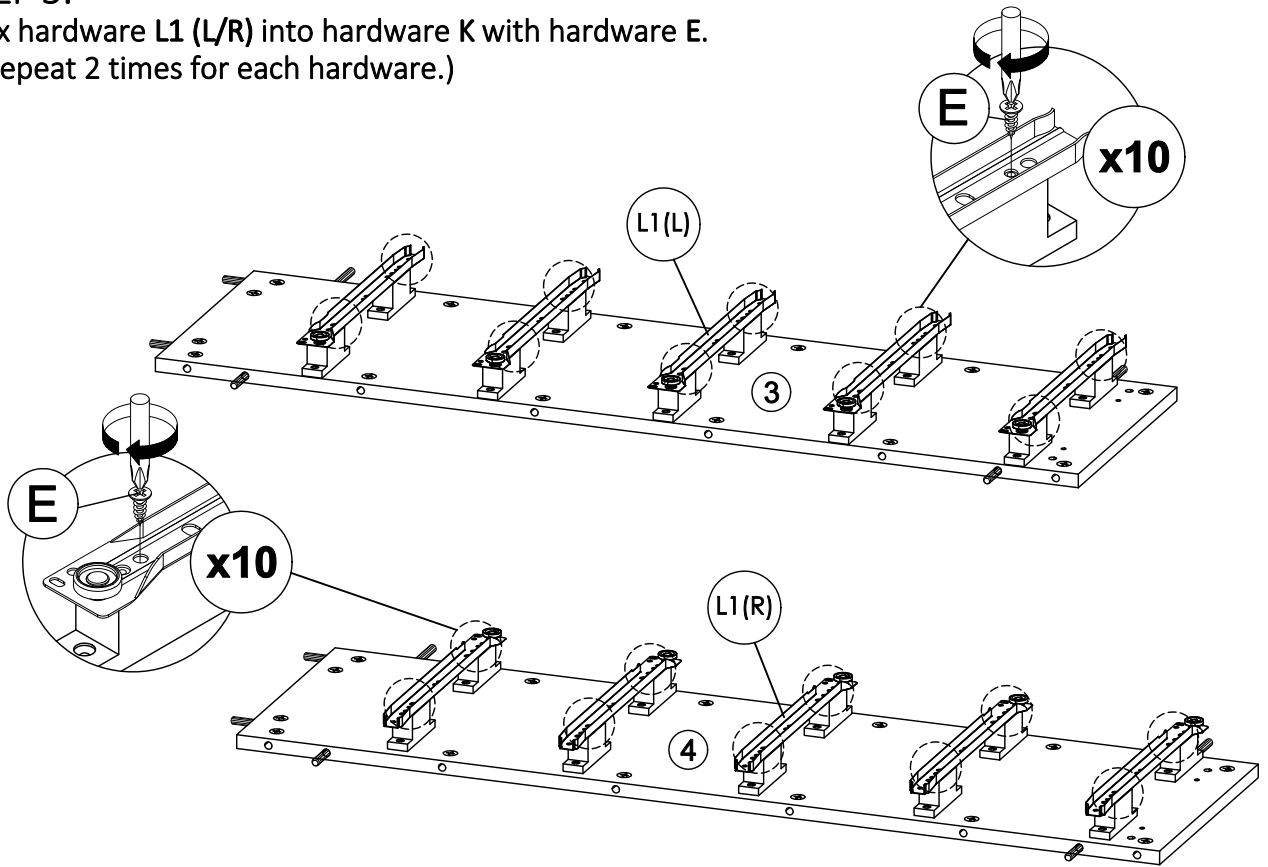
### STEP 4:

- Assemble hardware K onto panel (4) by using hardware F.  
(Repeat 2 times for each hardware.)
- Insert hardware A1 onto panel (4).  
(Repeat 14 times.)
- Insert hardware A2 onto panel (4).  
(Repeat 2 times.)
- Insert hardware B onto panel (4).  
(Repeat 6 times.)



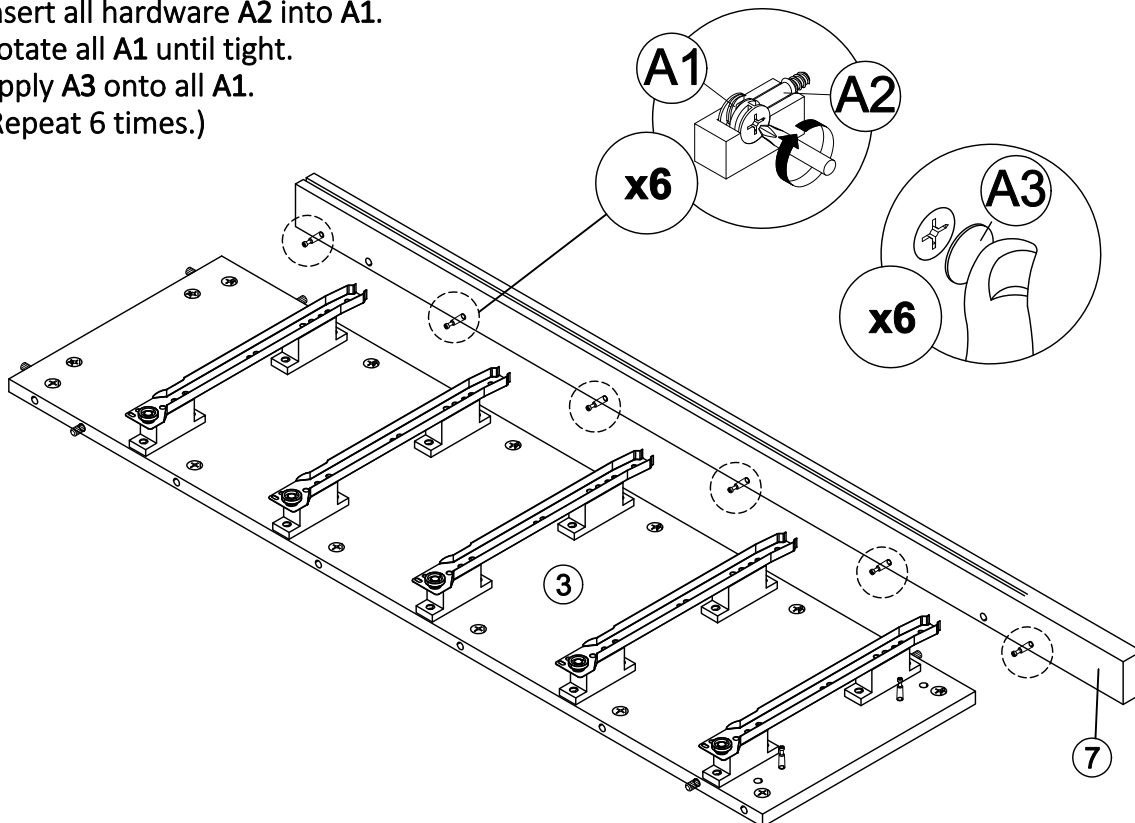
**STEP 5:**

- Fix hardware L1 (L/R) into hardware K with hardware E.  
(Repeat 2 times for each hardware.)



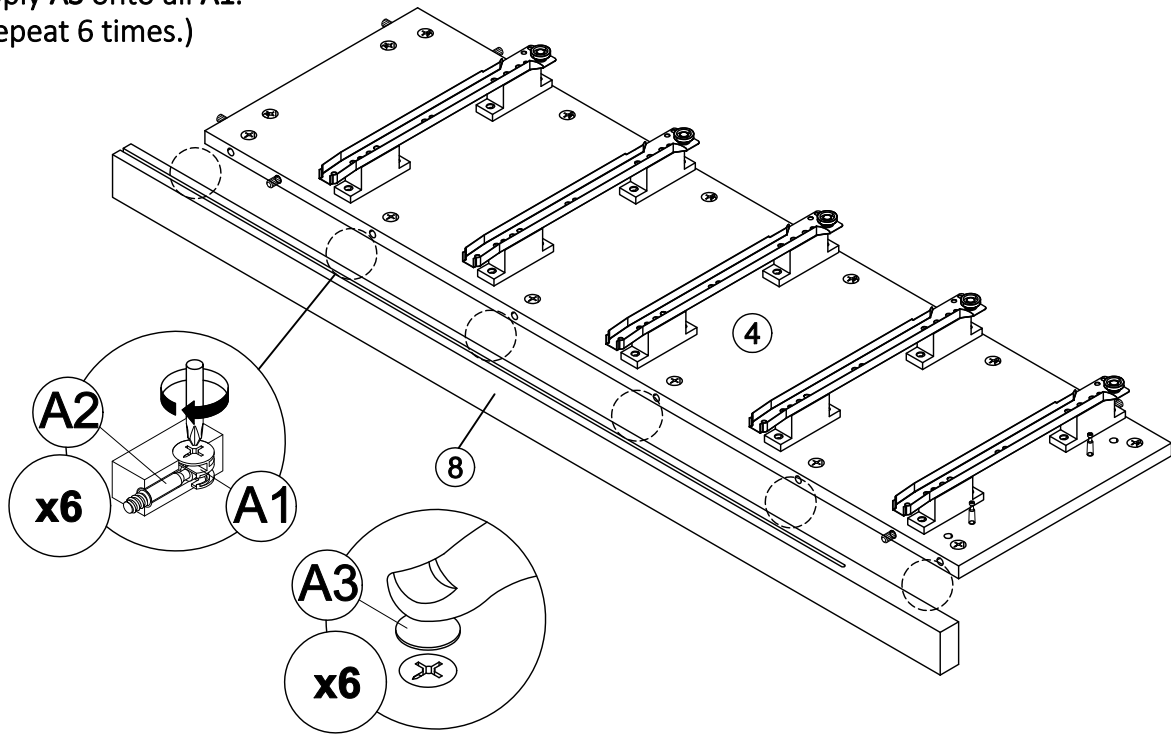
**STEP 6:**

- Attach panel (7) to panel (3).
- Insert all hardware A2 into A1.
- Rotate all A1 until tight.
- Apply A3 onto all A1.  
(Repeat 6 times.)



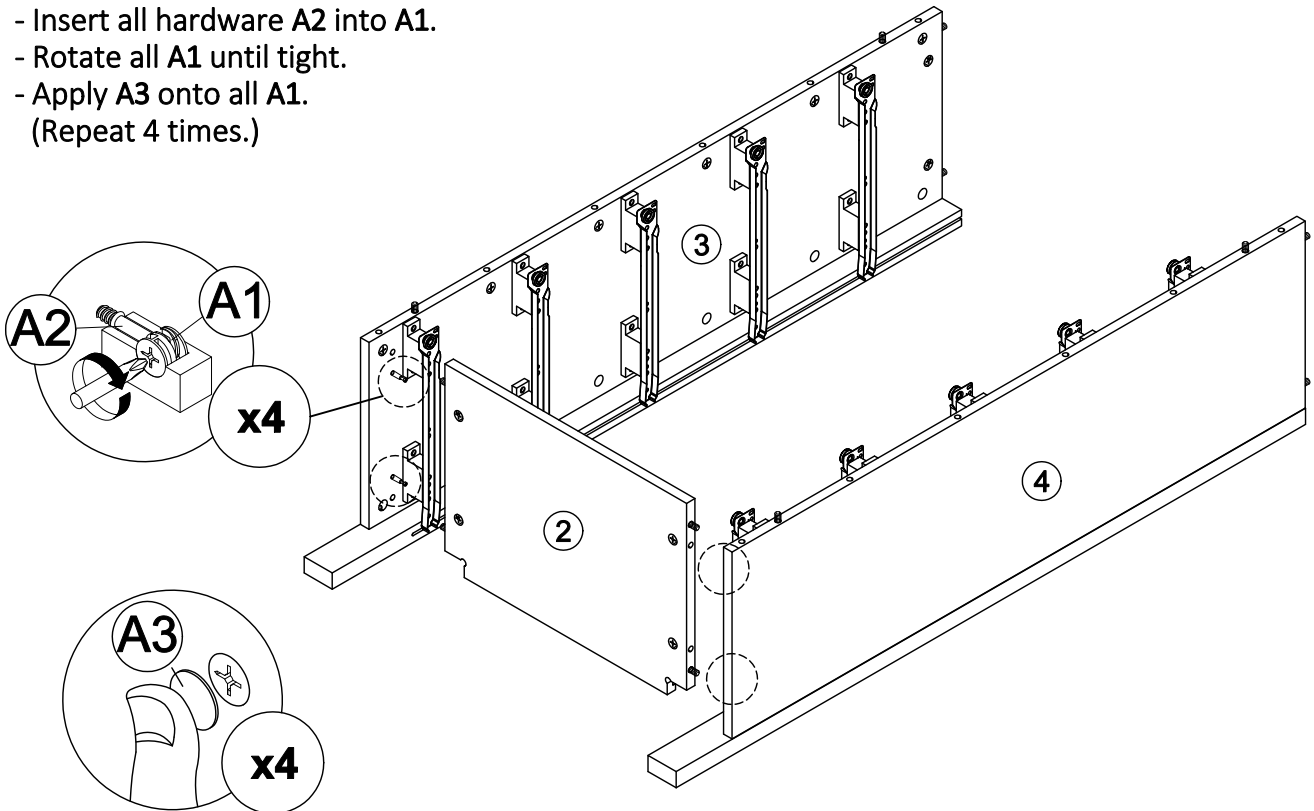
**STEP 7:**

- Attach panel (8) to panel (4).
- Insert all hardware A2 into A1.
- Rotate all A1 until tight.
- Apply A3 onto all A1.
- (Repeat 6 times.)



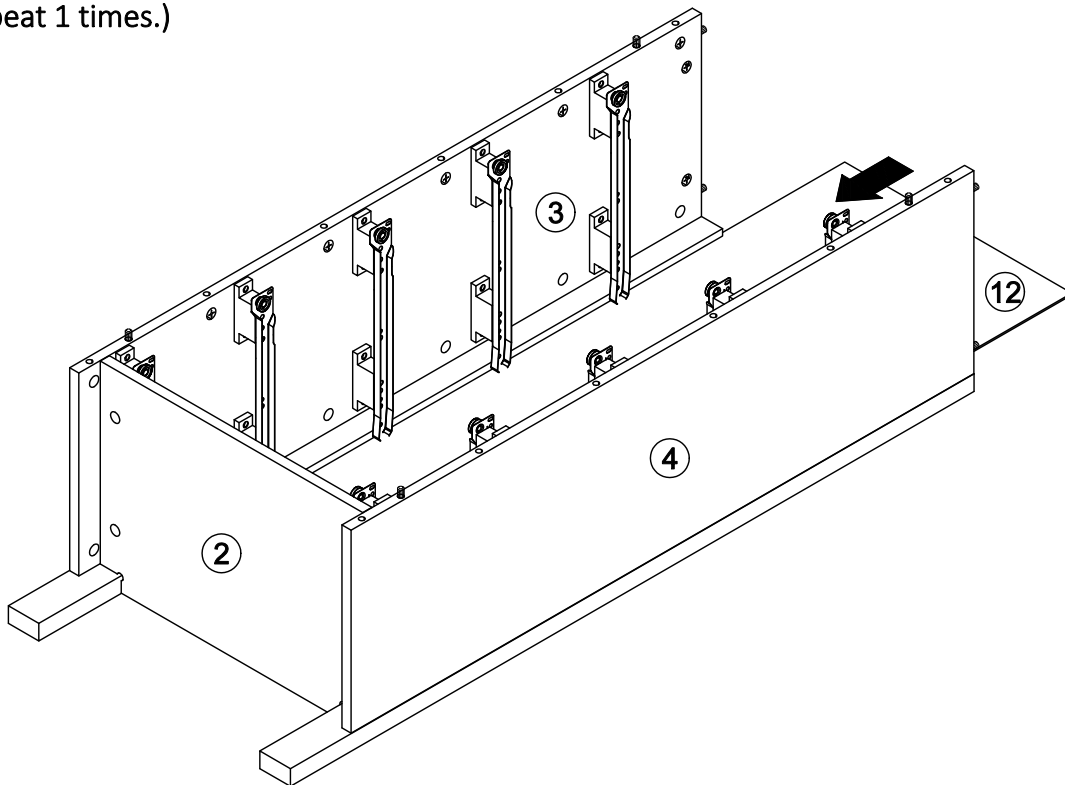
**STEP 8:**

- Attach panel (3) and (4) to panel (2).
- Insert all hardware A2 into A1.
- Rotate all A1 until tight.
- Apply A3 onto all A1.
- (Repeat 4 times.)



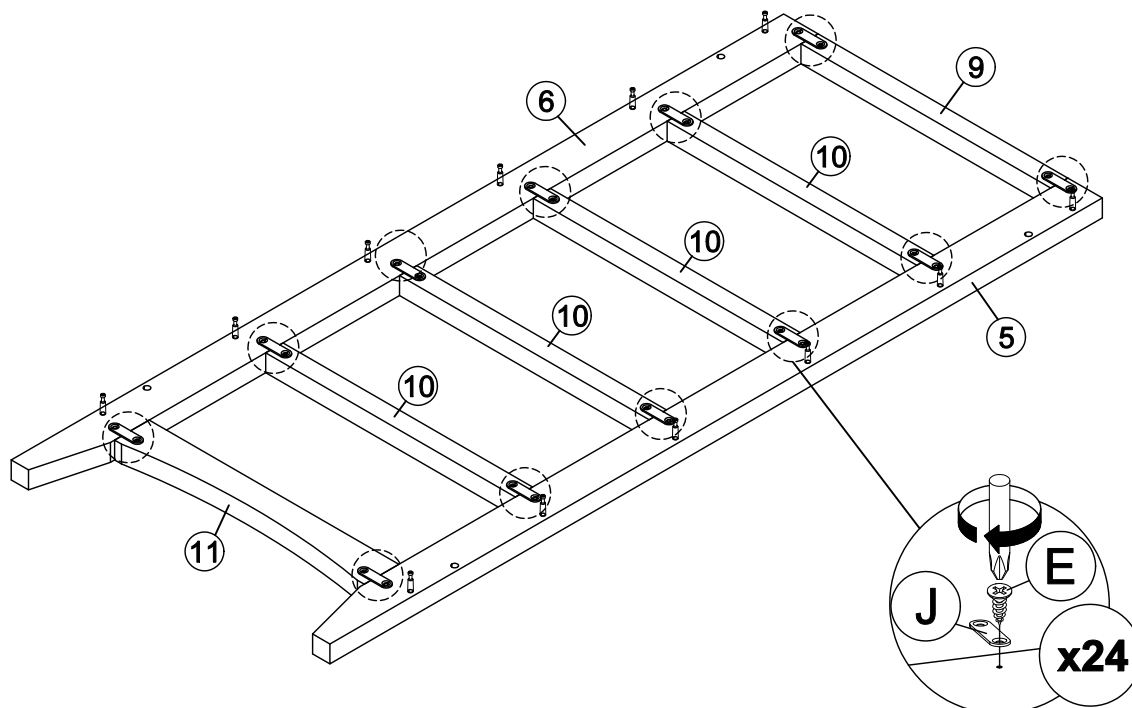
**STEP 9:**

- Insert panel (12) along the slot.  
(Repeat 1 times.)



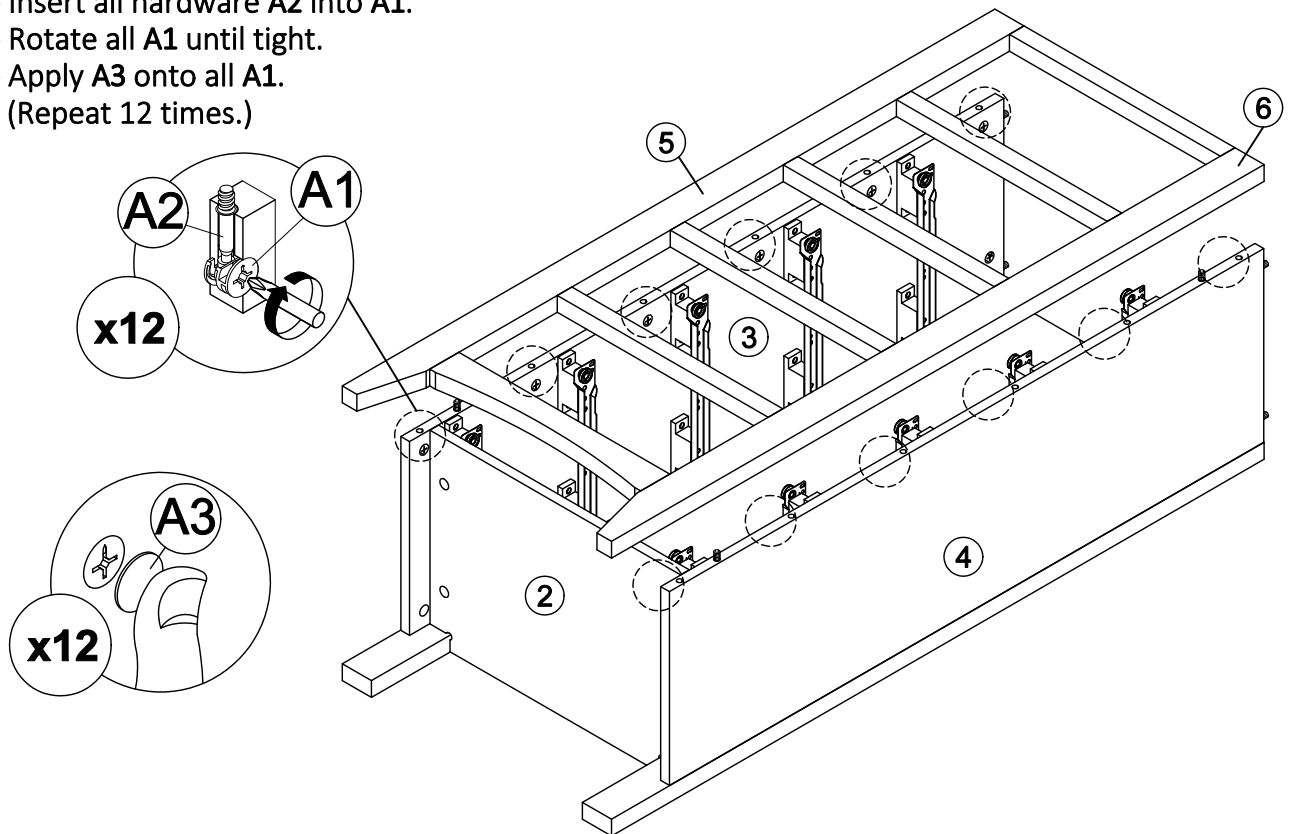
**STEP 10:**

- Attach panel (5) and (6) to panel (9), (10) and (11).
- Fix hardware J into panel (5), (6), (9), (10) and (11) with hardware E.  
(Repeat 2 times for each hardware.)



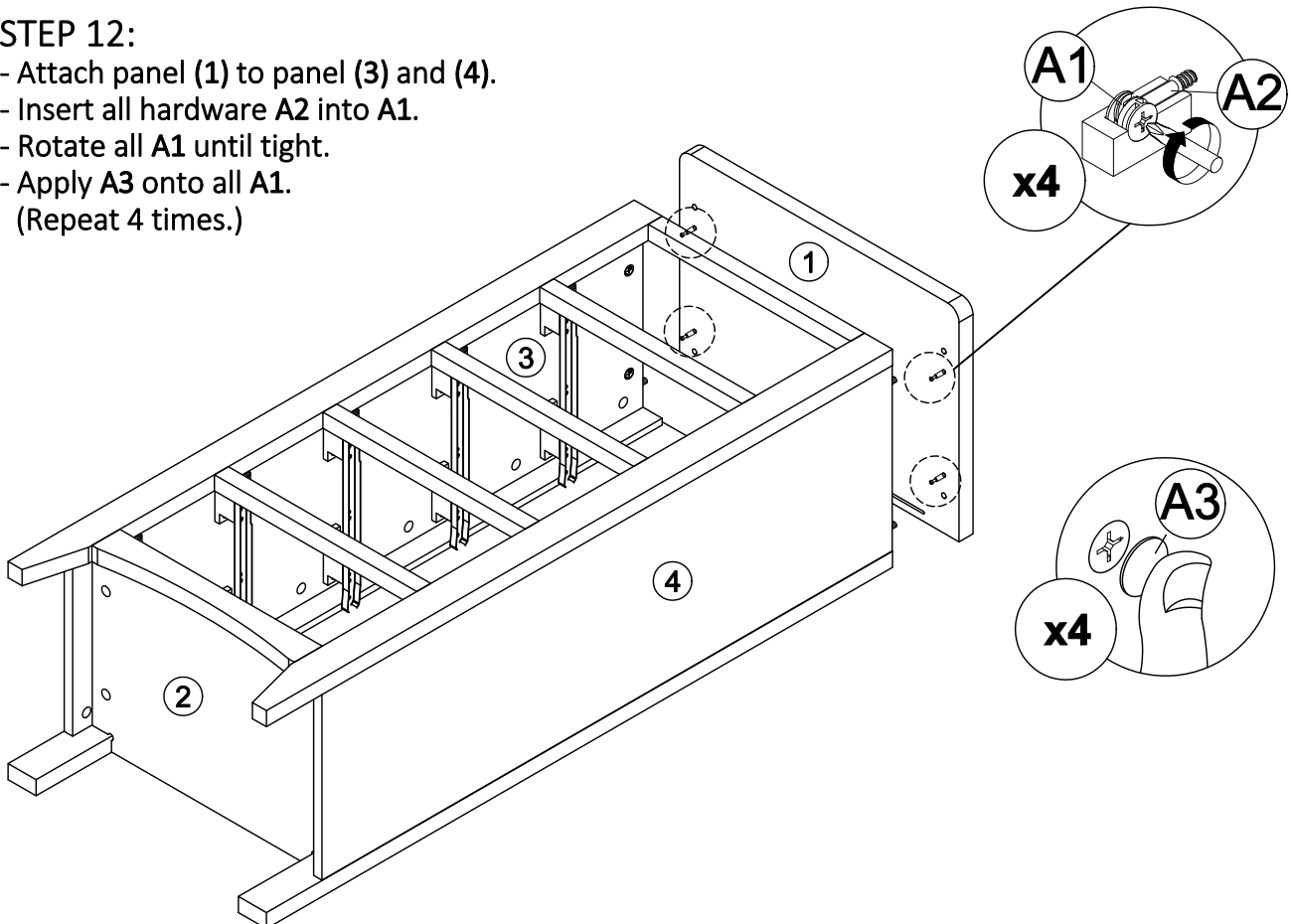
**STEP 11:**

- Attach panel (5) and (6) to panel (3) and (4).
- Insert all hardware A2 into A1.
- Rotate all A1 until tight.
- Apply A3 onto all A1.
- (Repeat 12 times.)



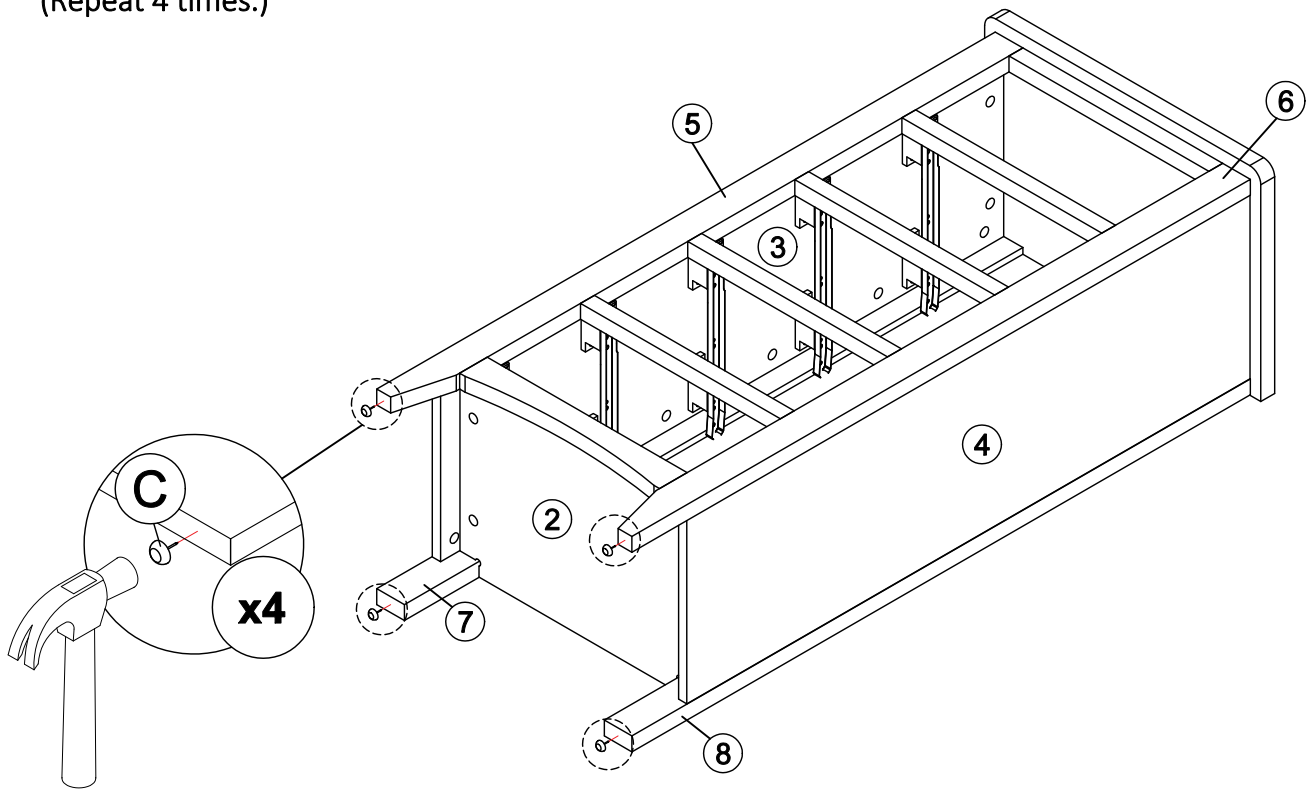
**STEP 12:**

- Attach panel (1) to panel (3) and (4).
- Insert all hardware A2 into A1.
- Rotate all A1 until tight.
- Apply A3 onto all A1.
- (Repeat 4 times.)



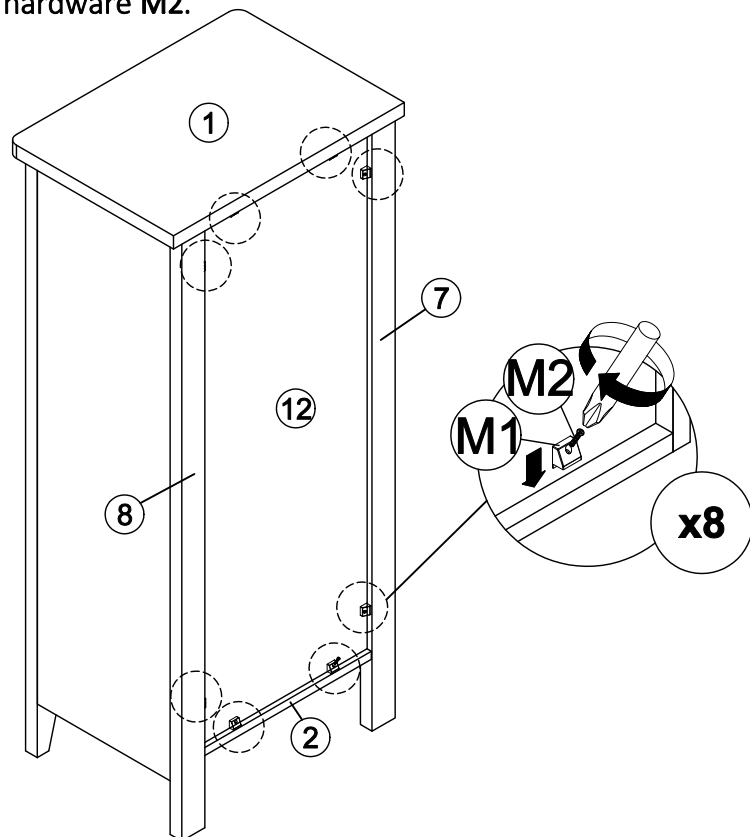
**STEP 13:**

- Hit hardware **C** into bottom of panel (5), (6), (7) and (8).
- (Repeat 4 times.)



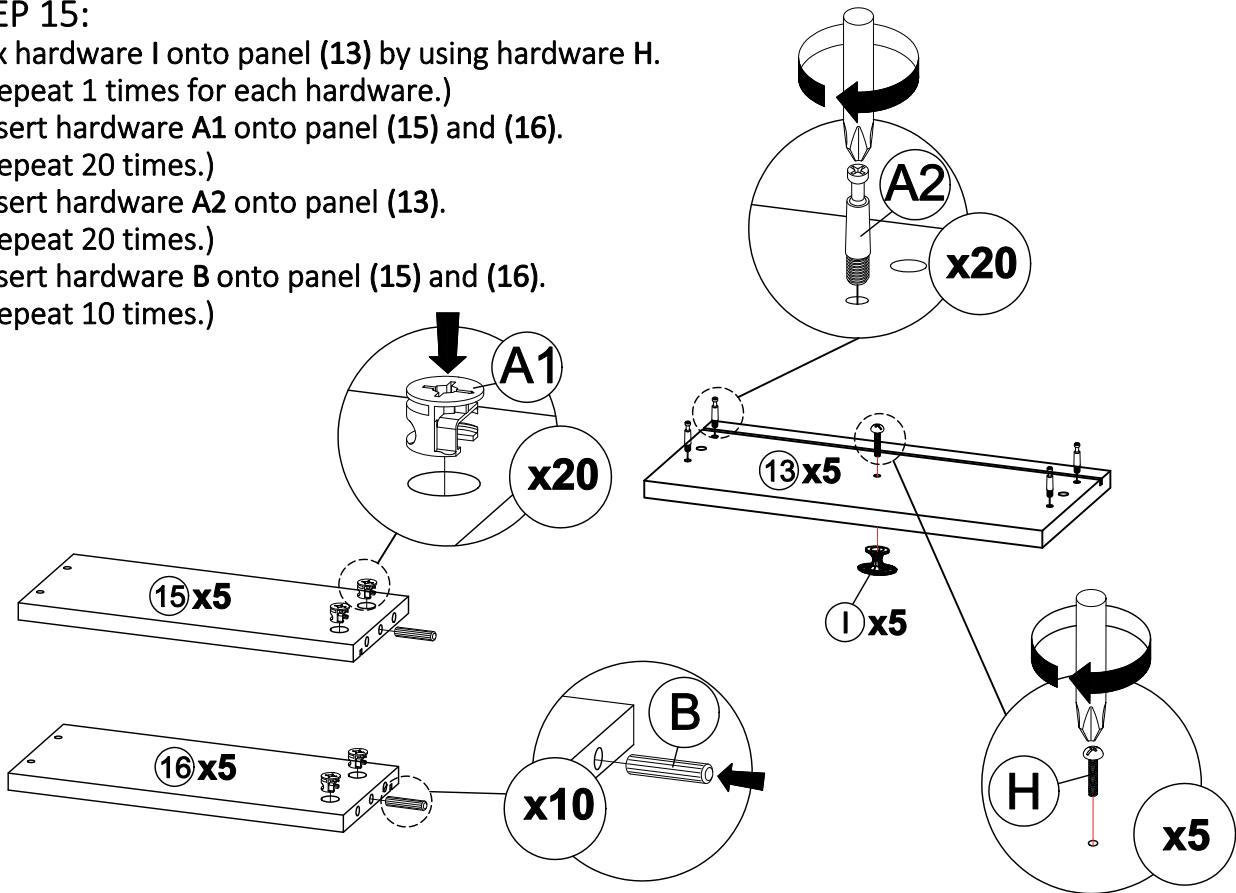
**STEP 14:**

- Insert hardware **M1** into slot at panel (1), (2), (7) and (8).
- Assemble hardware **M1** by using hardware **M2**.
- (Repeat 8 times.)



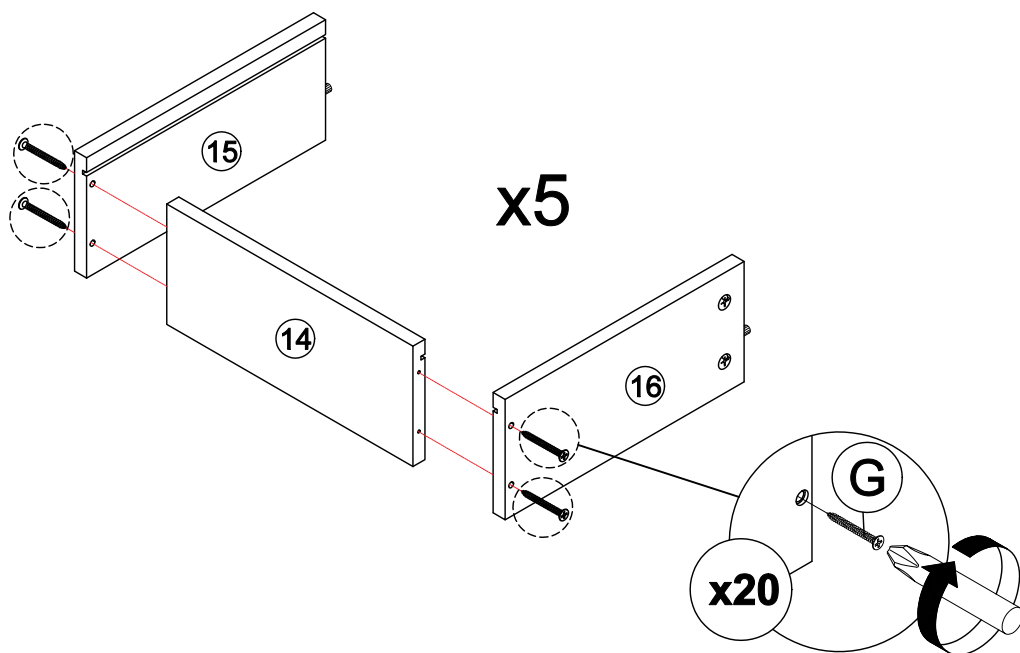
### STEP 15:

- Fix hardware I onto panel (13) by using hardware H.  
(Repeat 1 times for each hardware.)
- Insert hardware A1 onto panel (15) and (16).  
(Repeat 20 times.)
- Insert hardware A2 onto panel (13).  
(Repeat 20 times.)
- Insert hardware B onto panel (15) and (16).  
(Repeat 10 times.)



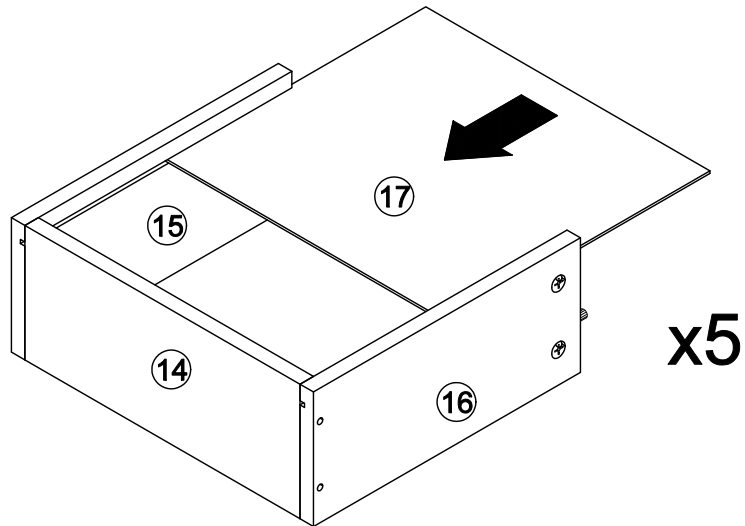
### STEP 16:

- Assemble panel (15) and (16) with panel (14) by using hardware G.  
(Repeat 4 times for each drawers.)



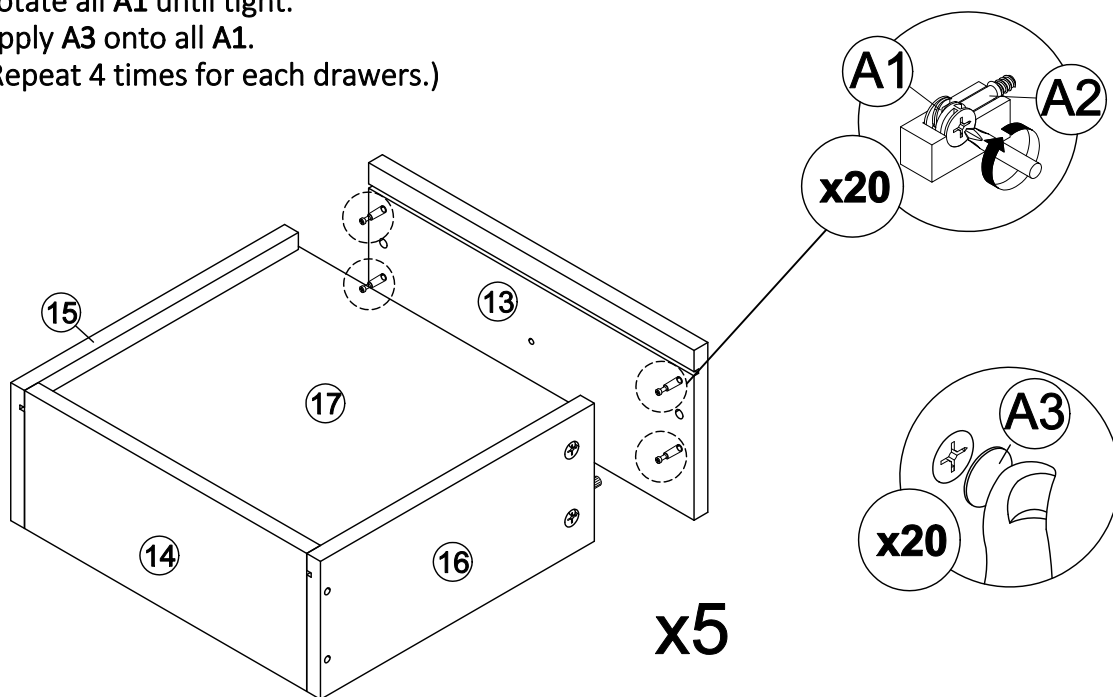
**STEP 17:**

- Insert panel (17) along the slot.  
(Repeat 1 times for each drawers.)



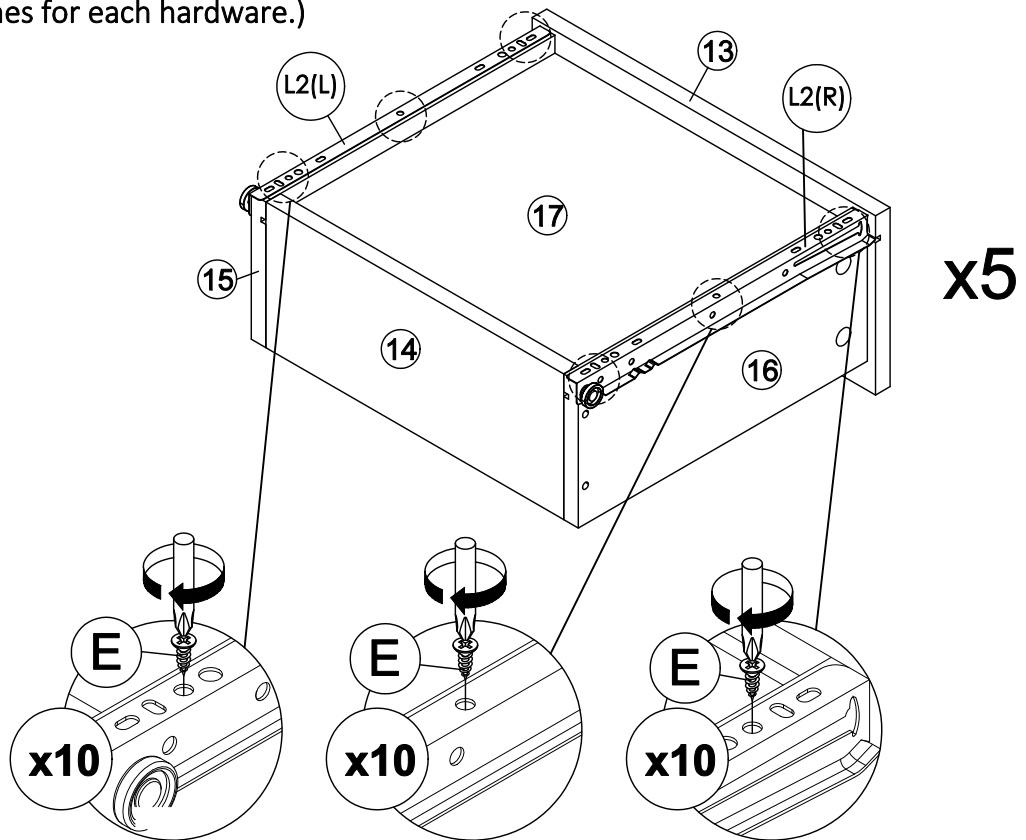
**STEP 18:**

- Attach panel (13) to panel (15) and (16).
- Insert all hardware A2 into A1.
- Rotate all A1 until tight.
- Apply A3 onto all A1.
- (Repeat 4 times for each drawers.)



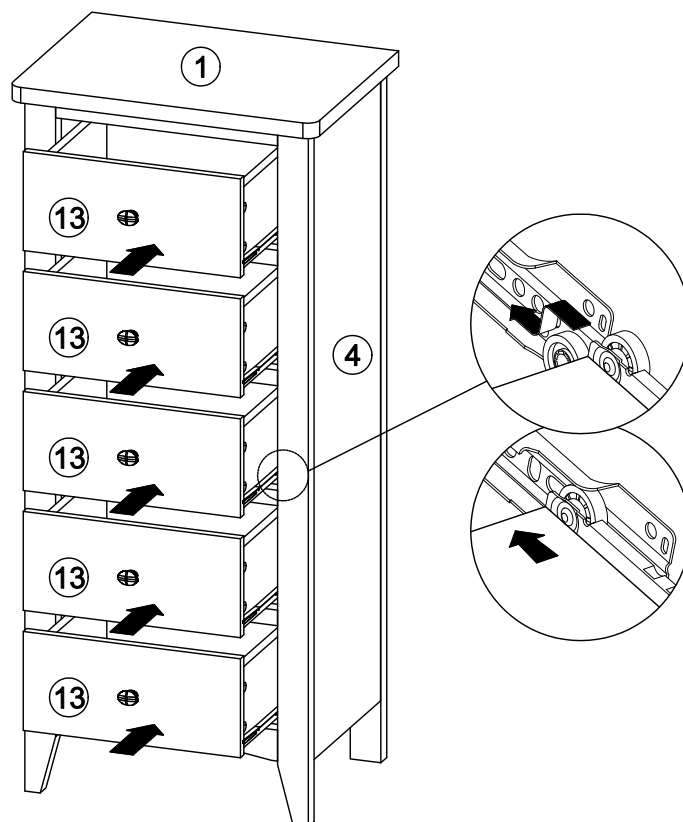
**STEP 19:**

- Assemble hardware L2 (L/R) to panel (15) or (16) by using hardware E.  
(Repeat 3 times for each hardware.)

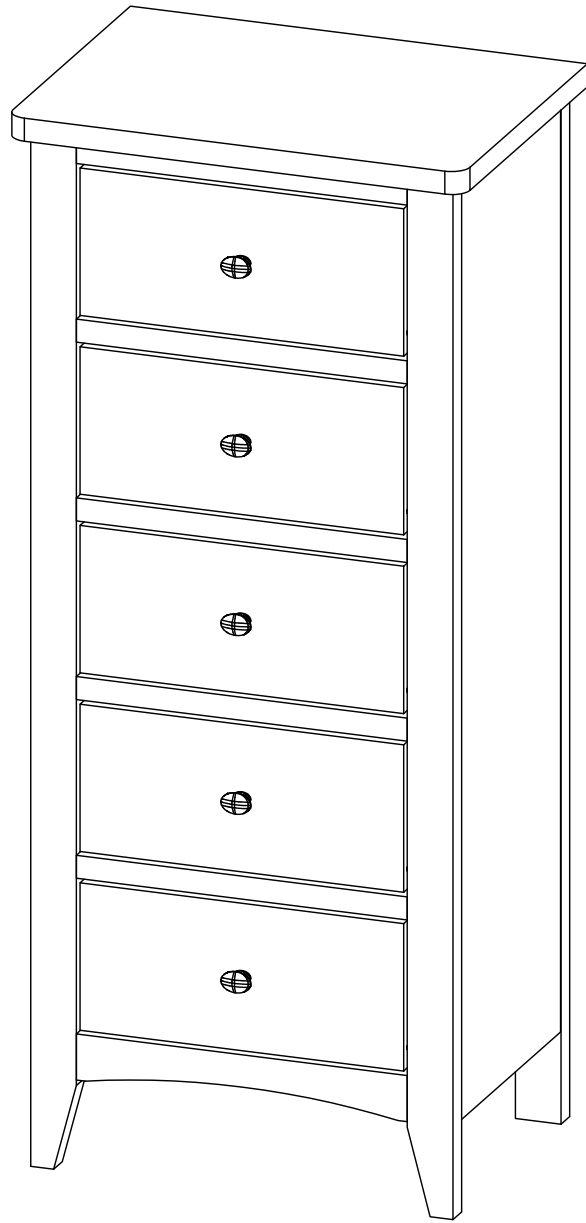


**STEP 20:**

- Put all the drawer in place along the drawer slides.



ASSEMBLY IS COMPLETE



# SAFETY BRACKETS INSTRUCTIONS

1. Attach one Metal Bracket to the wall with the Wall Screw. Make sure to attach the Metal Bracket into a stud. If mounting into brick or masonry you will need to acquire wall anchors.
2. Attach the second Metal Bracket to the back of furniture frame with the Pan Head Screws.
3. Move the furniture to its final position. Thread a Cable Tie through the both Metal Bracket and tighten until snug. Do not over tighten.
4. Make sure that the Metal Bracket are firmly attached to the wall and furniture and that the Cable Tie is snug.

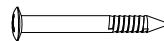
## HARDWARE



Metal Bracket  
X4



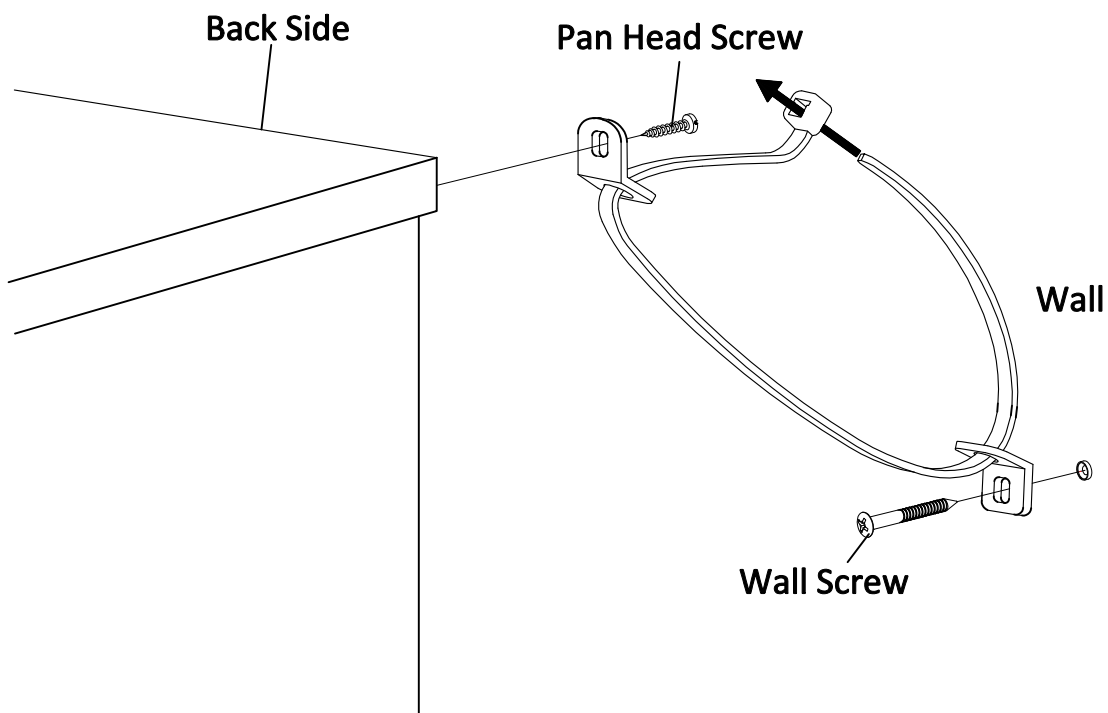
Cable Tie  
X2



Wall Screw  
X2



Pan Head Screw  
X2



## **CARE AND MAINTENANCE**

To protect your furniture, we suggest the following :

- Avoid placing your furniture in direct sunlight.
- Do not place furniture directly under window.
- Do not place sharp materials (knife, fork, etc.) directly onto your furniture as sharp material may scrape and damage the finish.
- Do not place material with high temperature directly onto the surface of your furniture.
- Clean up spills quickly. Water left over a prolonged period of time may cause damage. Alcohol, perfume, nail polishes, aftershave and some medication may cause server finish damage if not cleaned immediately.
- Use a clean, soft, dry, lint free absorbent cloth to clean your furniture. Do not use any detergent as they may contain ingredients that may react and damage the finish.

**NOTE:** If the above care advise is not adhered to your product warranty may become void.