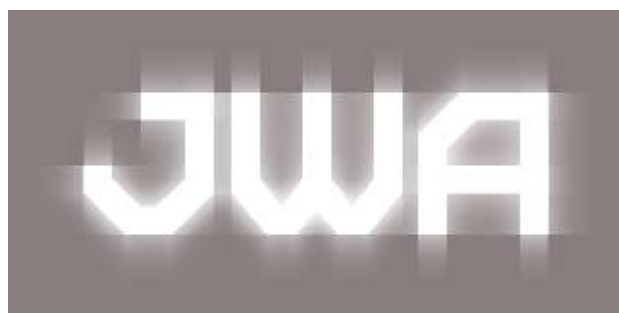
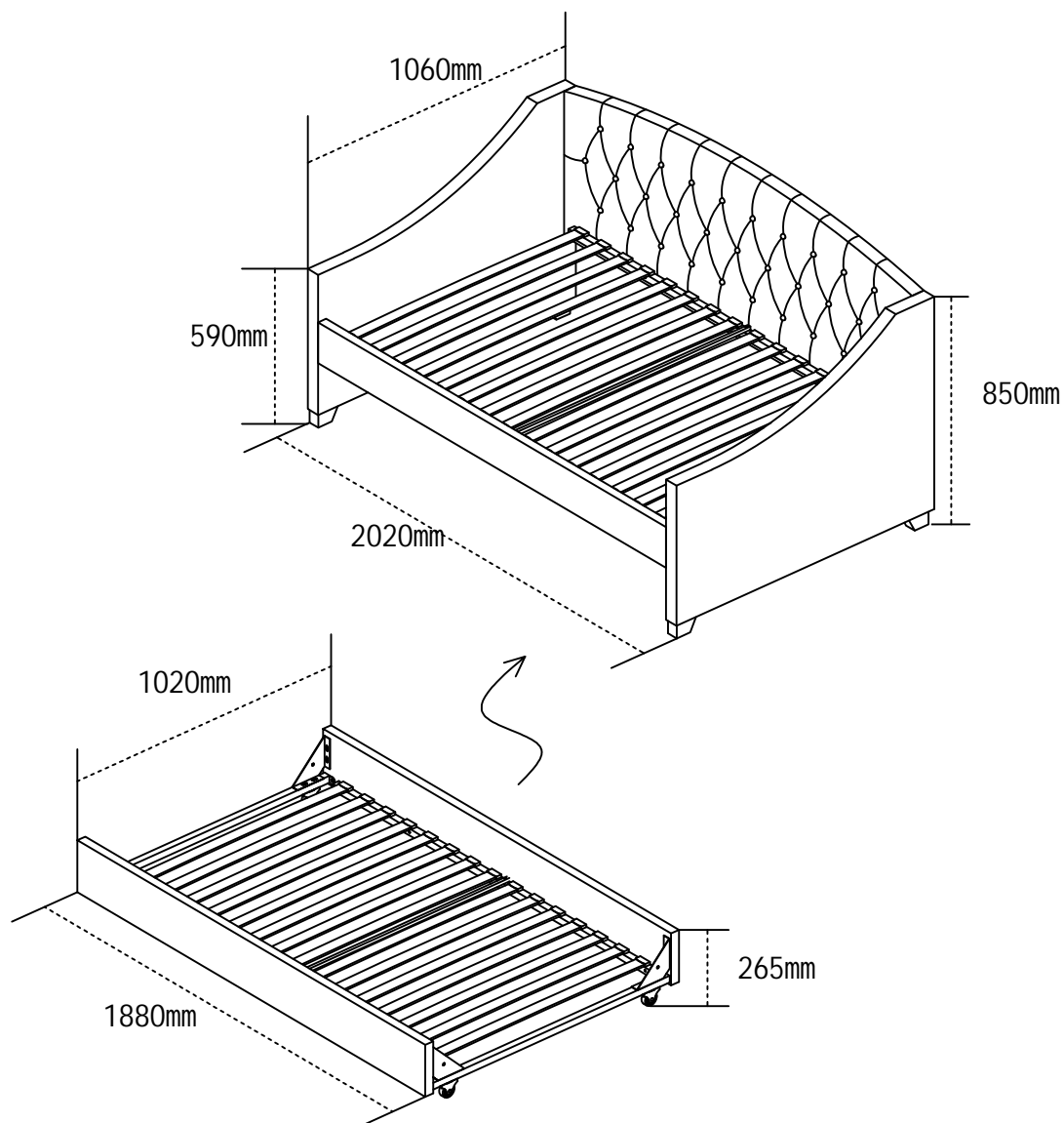


# ASSEMBLY INSTRUCTION

CLAUDIUS SINGLE BED  
ITEM CODE: 85455

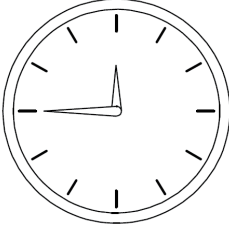
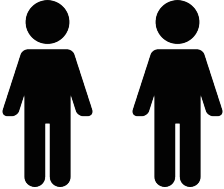
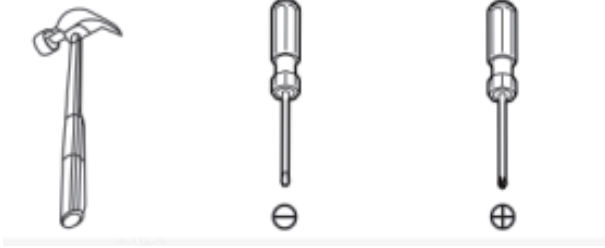


Imported by JWA Furniture Pty Ltd, Qld, Brisbane Australia.  
For any assistance with assembly or for missing parts please refer to your receipt

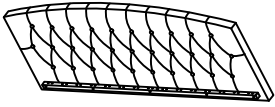
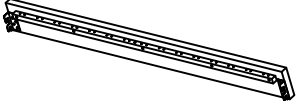
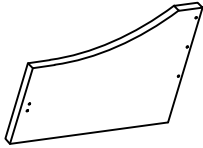
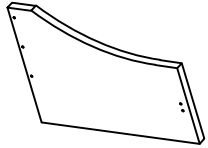
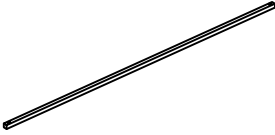
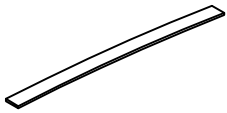
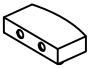
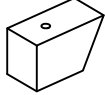
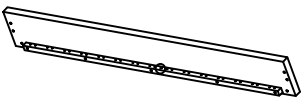
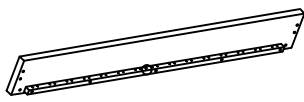
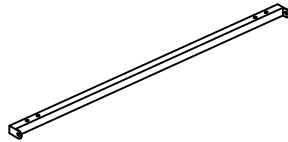
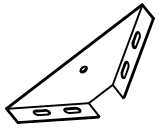
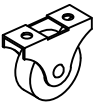
# PRE-ASSEMBLY PREPARATION

## Before you start:

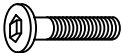





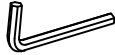

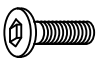
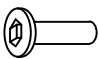
1. Choose a clean, level, spacious assembly area. Avoid hard surfaces that may damage the product
2. Take care when lifting. Product should be assembled as near as possible to the point of use
3. Ensure that you have all required contents for complete assembly
4. Always read the assembly instructions carefully before beginning assembly.
5. Keep all hardware parts and packaging out of reach of small children.
6. Do not over tighten the screws and bolts as this may damage the threads

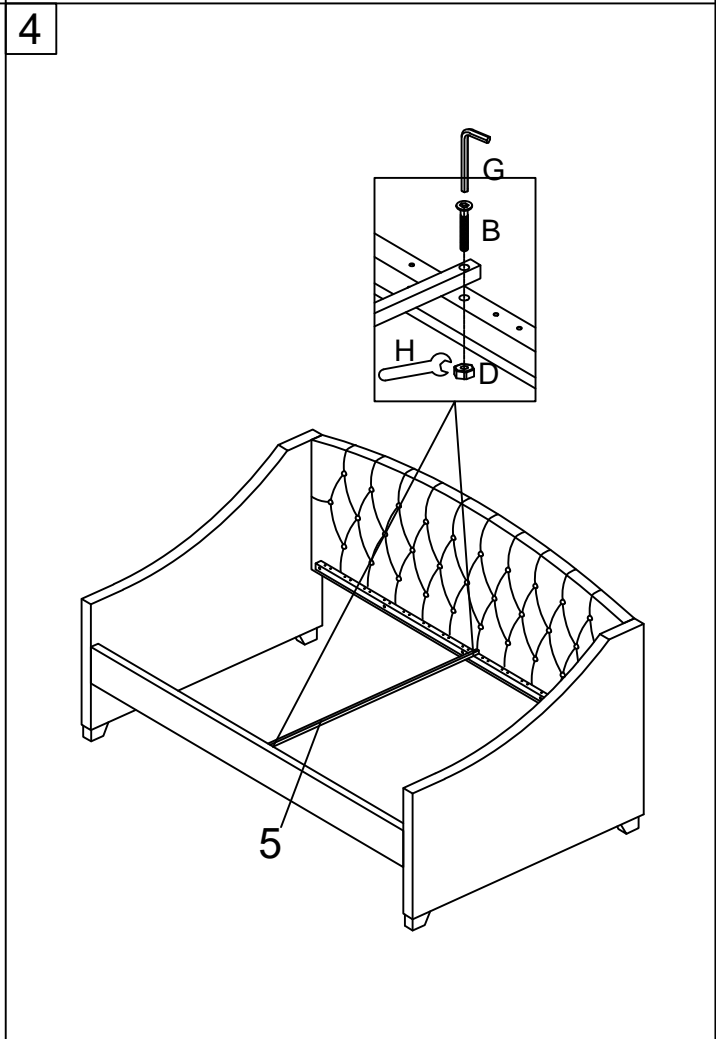
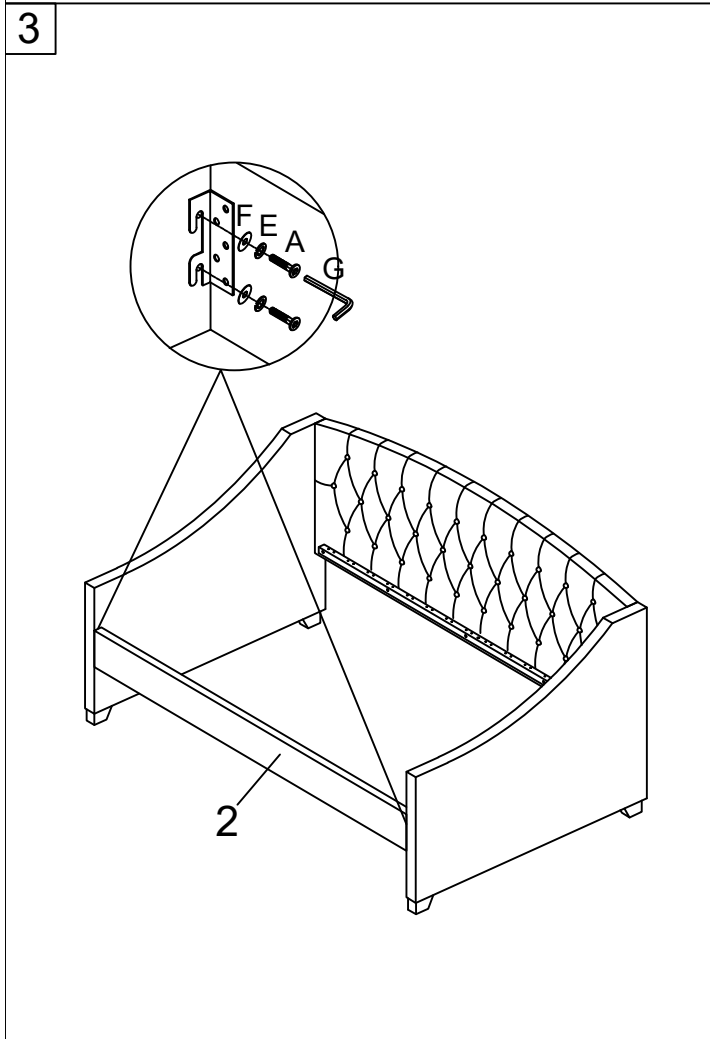
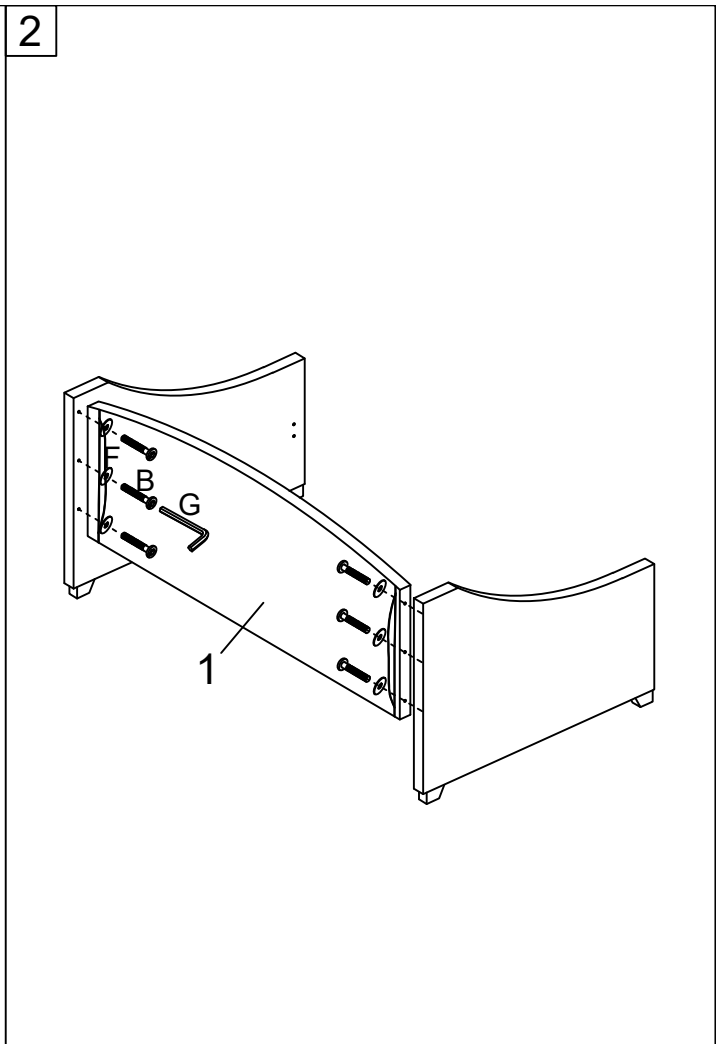
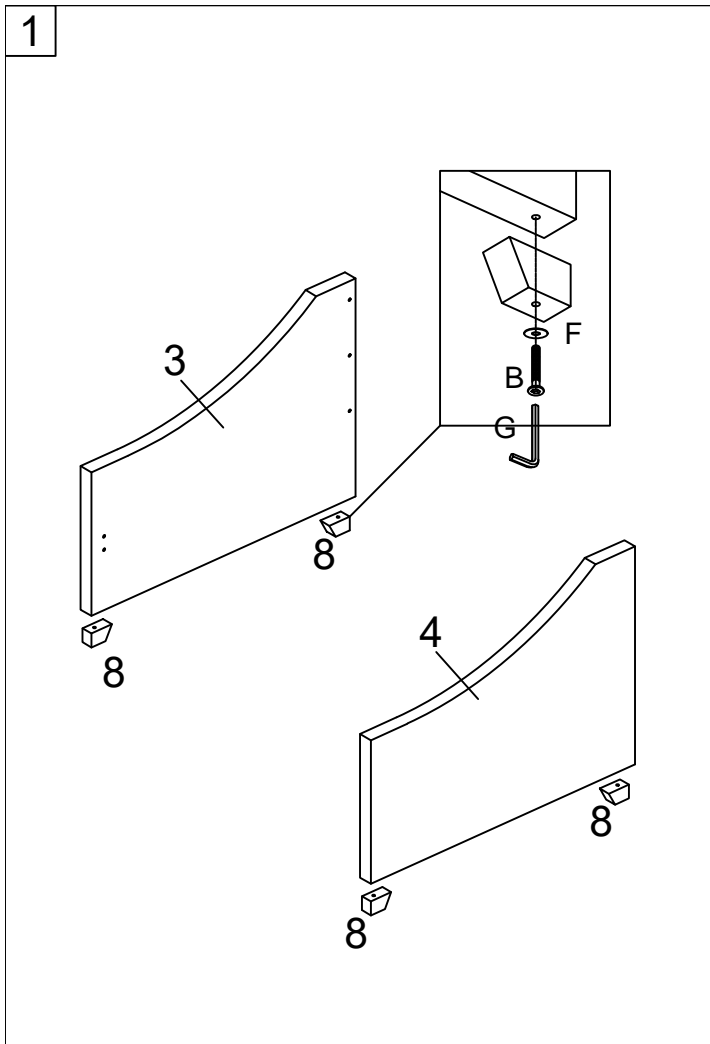
		
Allow 45 min	For 2 person	Additional tools required

# Parts List

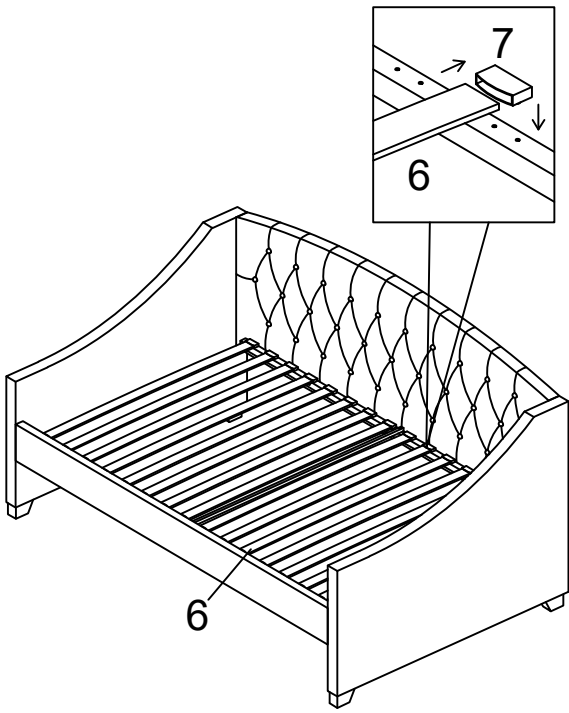
<b>1</b> HEAD BOARD 1PC 	<b>2</b> FOOT BOARD 1PC 	<b>3</b> SIDE RAIL 1PC 	<b>4</b> SIDE RAIL 1PC 
<b>5</b> BEDSTEAD RAIL 2 SETS 	<b>6</b> SLAT 30PCS 	<b>7</b> Single Plastic Cap 60PCS 	<b>8</b> LEG 4PCS 
<b>9</b> 1PC 	<b>10</b> 1PC 	<b>11</b> 2PCS 	<b>12</b> 4PCS 
<b>13</b> 4PCS 			

# Hardware List

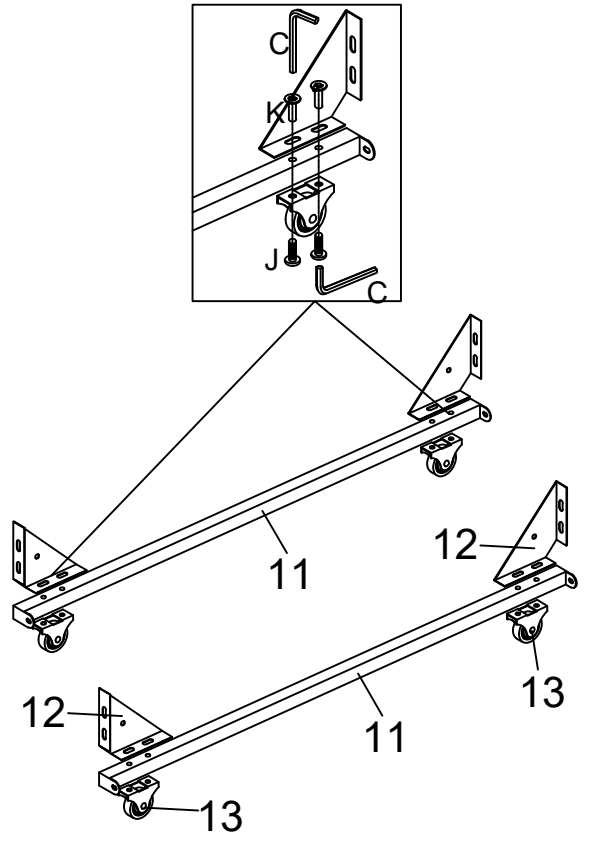
<b>A</b> M8*30 x16 PCS 	<b>B</b> M8*50 x14PCS 	<b>C</b> M4 x2 PCS 	<b>D</b> 4 PCS 
<b>E</b> 4 PCS 	<b>F</b> 14 PCS 	<b>G</b> M5 x1 PC 	<b>H</b> 1 PC 
<b>J</b> M6*20 x8 PCS 	<b>K</b> M6*18 x8 PCS 		



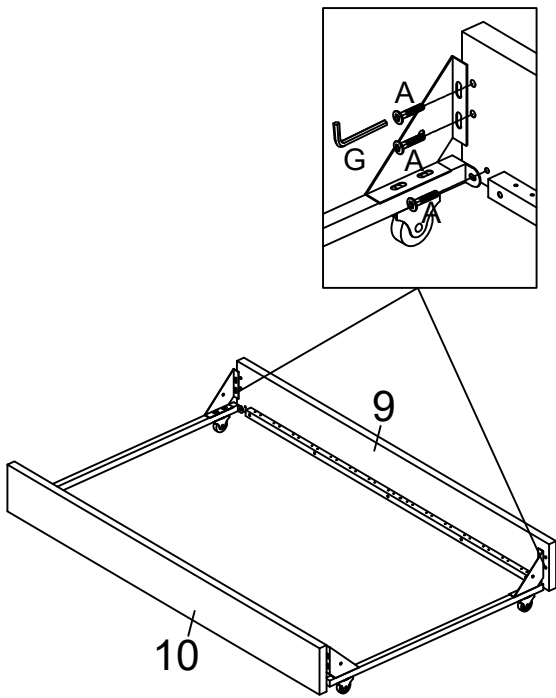
5



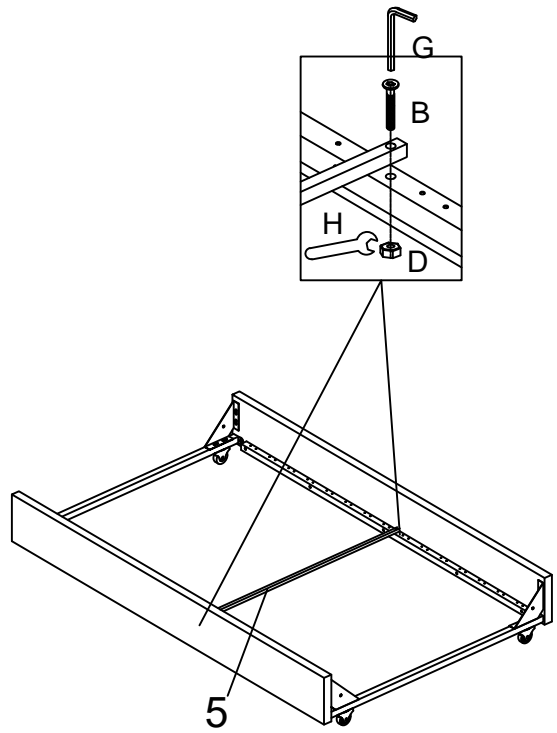
6



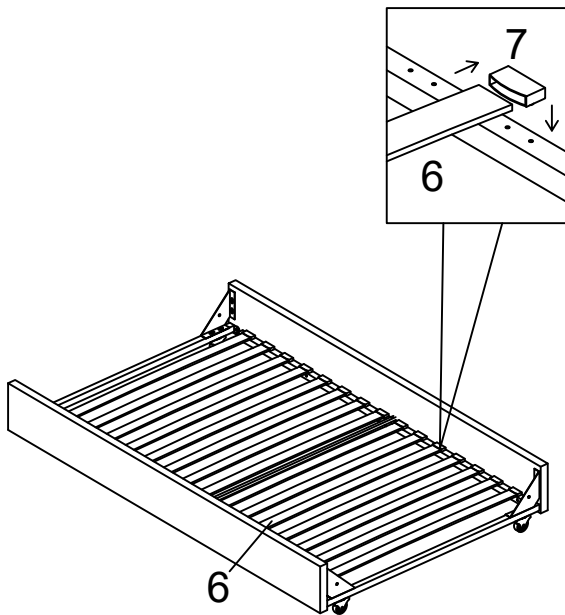
7



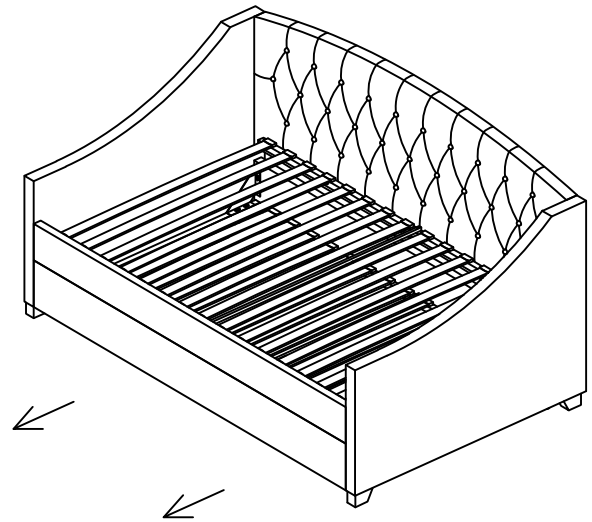
8



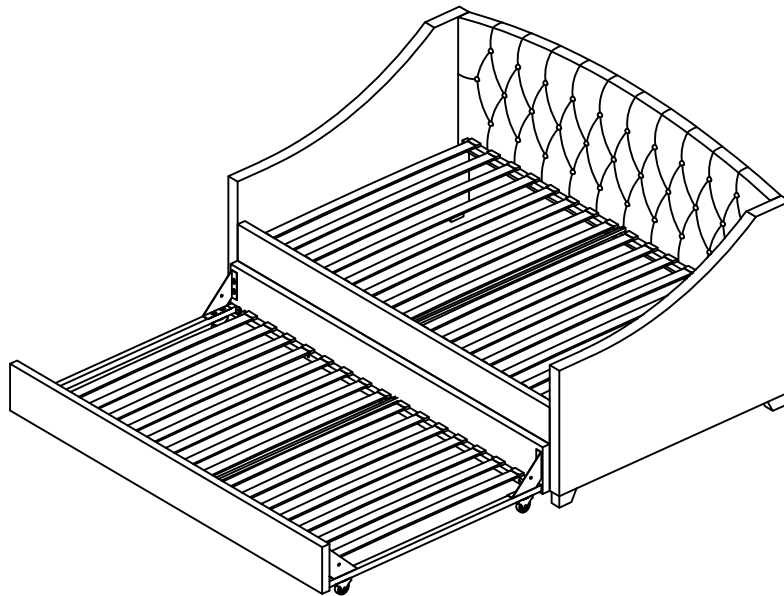
9



10



11



**CAUTION:**  
ALWAYS LIFT YOUR BED WHEN MOVING/RELOCATING.  
DO NOT DRAG. DRAGGING CAN CAUSE DAMAGE TO  
THE BED.

# **PRODUCT CARE**

## FURNITURE / BED

1. When assembling your bed please ensure that you have checked the contents for all relevant parts.
2. When tightening bolts make sure that they are fully tightened but not forced.
3. When moving your fully assembled bed you must first remove the mattress and lift the frame into position, take care when lifting and always have two people handling the bed. **PLEASE DO NOT DRAG THE BED** as this will cause damage to the rail.
4. It is advisable to use approved cleaning products when cleaning the furniture and bed frame as certain chemical based cleaners could have an adverse effect on the bed finish.