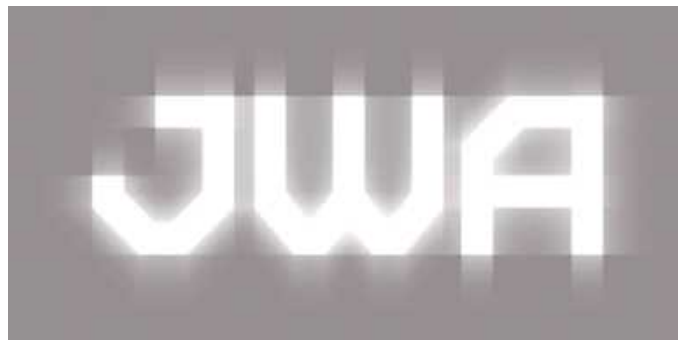
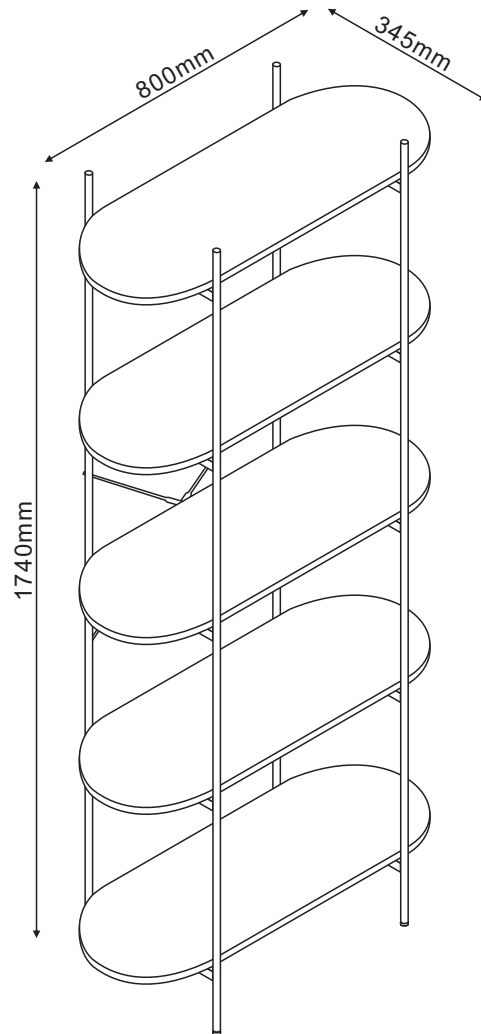


ASSEMBLY INSTRUCTION

ELGIN

White 5 Tier Shelf

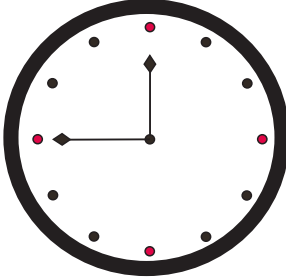
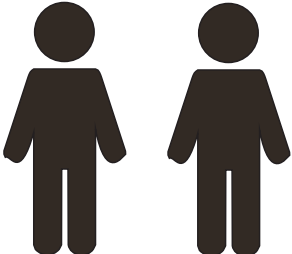
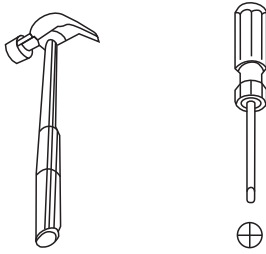
ITEM CODE 81859



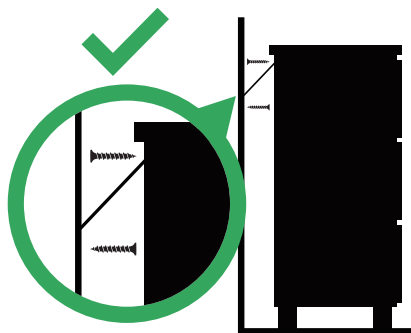
PRE-ASSEMBLY PREPARATION

Before you start:

1. Choose a clean, level, spacious assembly area. Avoid hard surfaces that may damage the product
2. Take care when lifting. Product should be assembled as near as possible to the point of use
3. Ensure that you have all required contents for complete assembly
4. Always read the assembly instructions carefully before beginning assembly.
5. Keep all hardware parts and packaging out of reach of small children.
6. Do not over tighten the screws and bolts as this may damage the threads

		
Allow 45min	For 2 person	Additional tools required

WARNING



Children have died from furniture tipover.

- ALWAYS secure it with an anchor device.
- NEVER allow children to stand, climb or hang on drawers, doors, or shelves.
- NEVER open more than one drawer at a time.
- Place heavy items down low

NEVER put a TV on this furniture



**This is a permanent label.
Do not remove!**

SAFETY BRACKETS INSTRUCTIONS

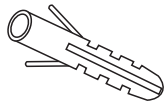
This furniture poses a tipping risk and as such must be secured to a wall using the provided tipping kit.

1. Attach one Mounting Plate to the wall with the Large Screws. Make sure to attach the Mounting Plate into a stud. If mounting into brick or masonry you will need to acquire wall anchors. Please enquire with your local hardware supplier for appropriate fixings.
2. Attach the second Mounting Plate to the furniture frame with the Short Screws.
3. Move the furniture to its final position. Thread a Wall Strap through the both Mounting Plates and tighten until snug. Do not over tighten.
4. Make sure that the Mounting Plates are firmly attached to the wall and furniture and that the Wall Strap is snug.

HARDWARE



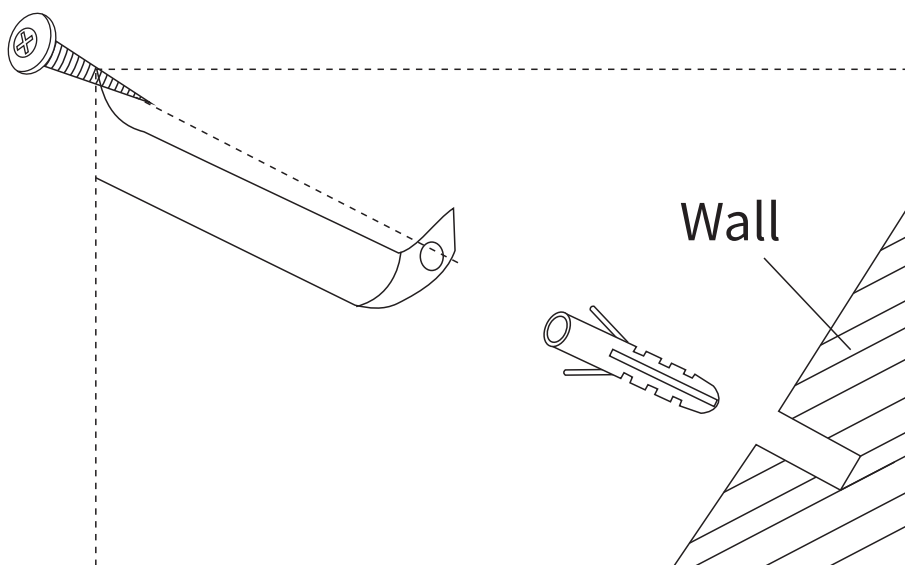
1pc





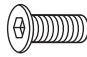




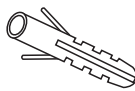
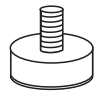

1pc



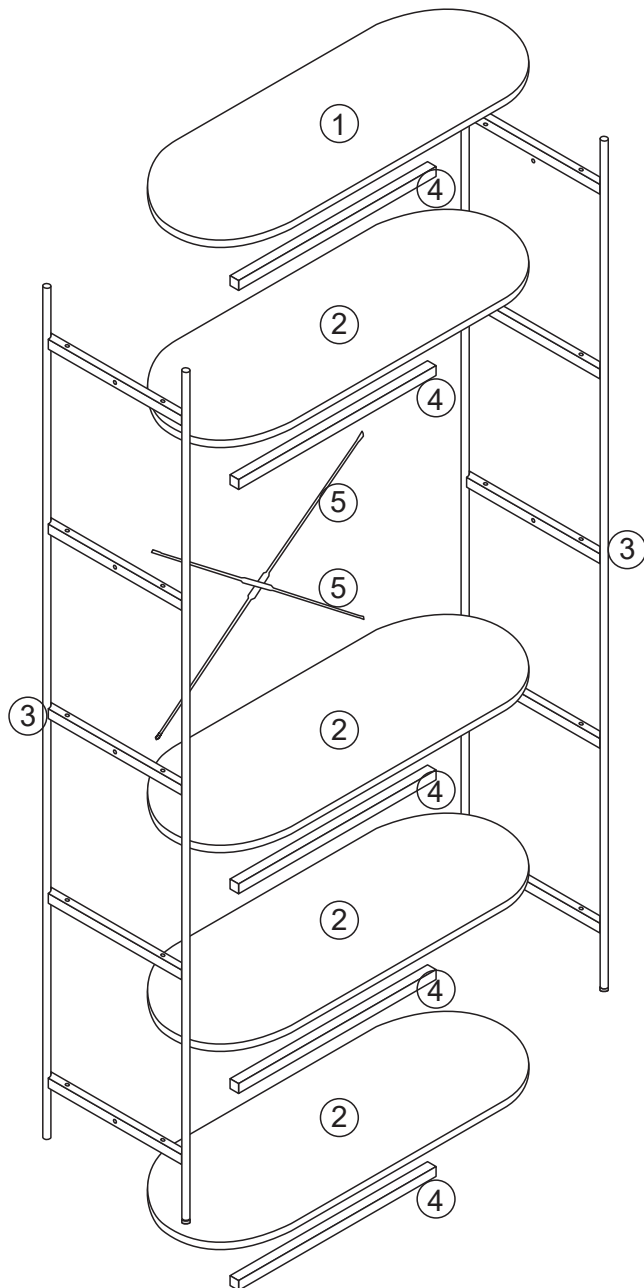
1pc



PARTS LIST

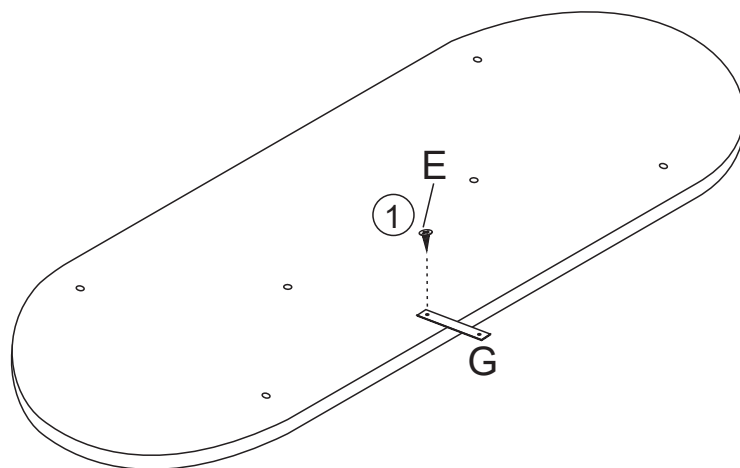
<p>A</p>  <p>M6X30mm 30pcs</p>	<p>B</p>  <p>M6X35mm 10pcs</p>	<p>C</p>  <p>M6X12mm 5pcs</p>	<p>D</p>  <p>M6 1pc</p>	<p>E</p>  <p>ST3.5X14mm 1pc</p>
<p>F</p>  <p>ST4X25mm 1pc</p>	<p>G</p>  <p>1pc</p>	<p>H</p>  <p>1pc</p>	<p>I</p>  <p>M6X15X10mm 4pcs</p>	<p>J</p>  <p>4mm 1pc</p>

1	Layer panel
2	Layer panel
3	Main frame
4	Connecting tube
5	Cross bar



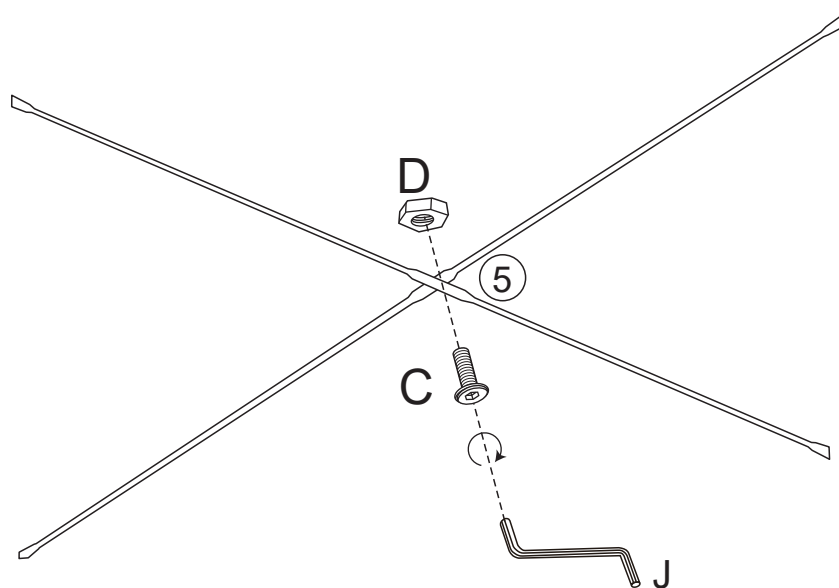
STEP 1:

1. Attach G to panel 1 with part E.



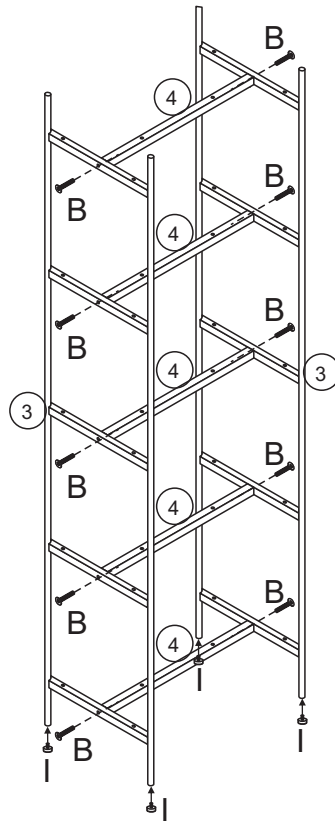
STEP 2:

1. Attach cross bar 5 with parts D and C.



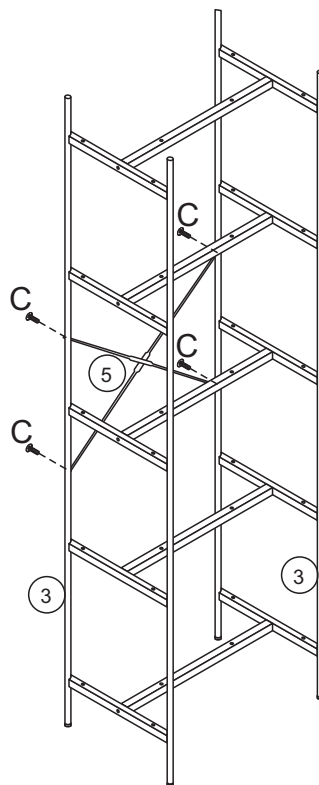
STEP 3:

1. Attach 4 to 3 with part B.
2. Screw I to 3.



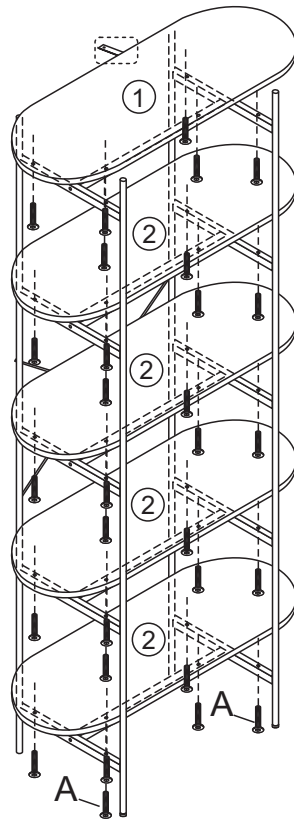
STEP 4:

1. Attach 5 to 3 with Part C.

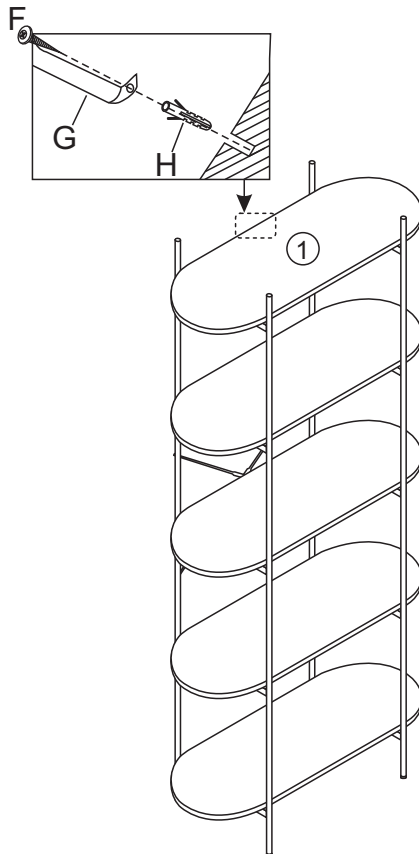


STEP 5:

1. Attach Panel 1, 2 to frame with Part A.

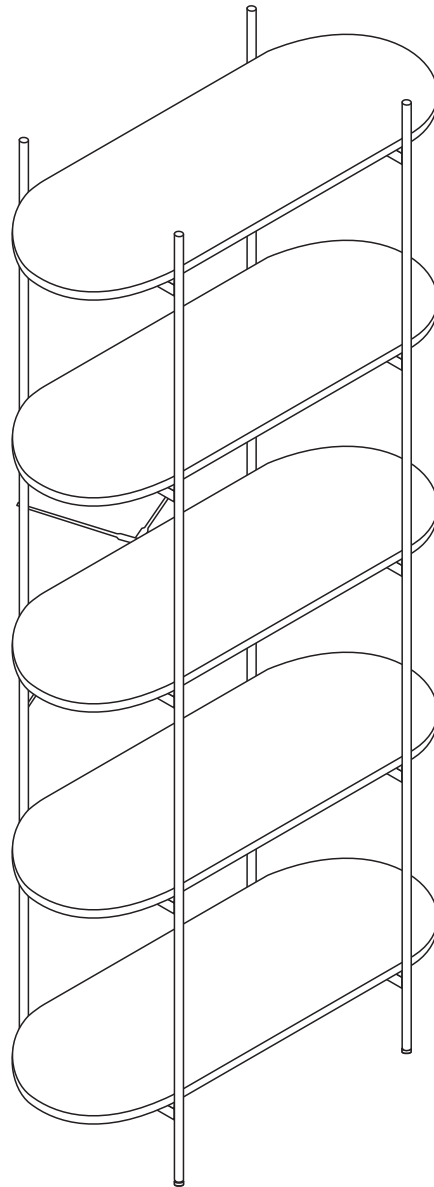


STEP 6:



STEP 7:

1.Assembly complete!



To protect your furniture, we suggest the following:

- Avoid placing your furniture in direct sunlight.
- Do not place furniture directly under windows.
- Do not place sharp materials (knife, fork, etc.) directly onto your furniture as sharp material may scrape and damage the finish.
- Do not place material with high temperature directly onto the surface of your furniture.
- Clean up spills quickly. Water left over a prolonged period of time may cause damage. Alcohol, perfume, nail polishes, aftershave and some medication may cause severe finish damage if not cleaned immediately.
- Use a clean, soft, dry, lint free absorbent cloth to clean your furniture. Do not use any detergent as they may contain ingredients that may react and damage the finish.

NOTE: If the above care advise is not adhered to your product warranty may become void