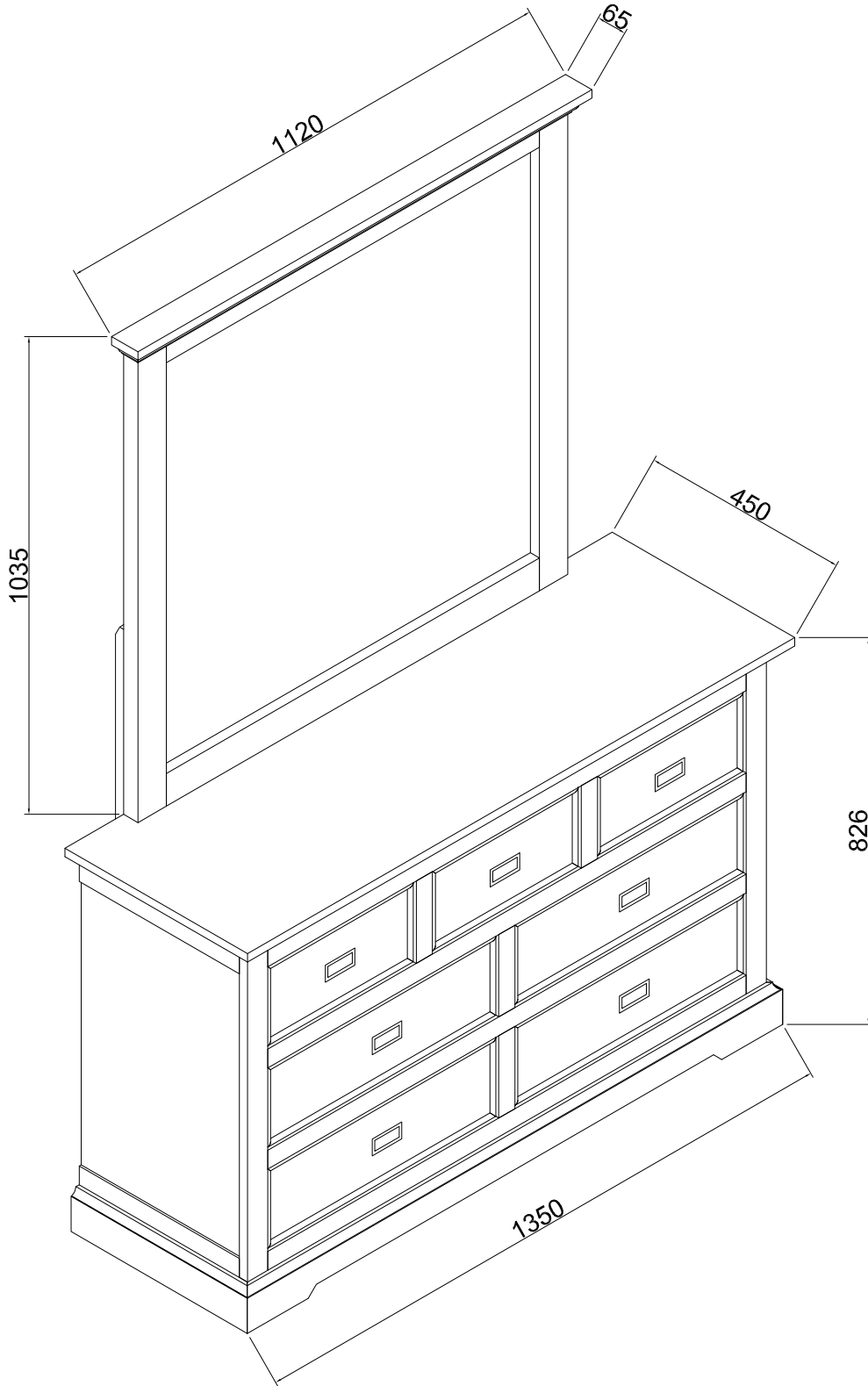




**Amart**

**ASSEMBLY INSTRUCTION  
CHARLSBOURG DRESSER WITH MIRROR  
ITEM CODE - 83233**

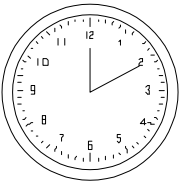

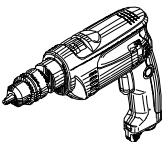



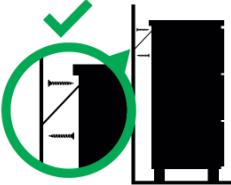
Imported by Amart Furniture Pty Ltd, Qld, Brisbane Australia.  
for any assistance to assembly or for missing parts please phone  
Amart Furniture, Customer Service Freecall 1800 351 084

# PRE-ASSEMBLY PREPARATION

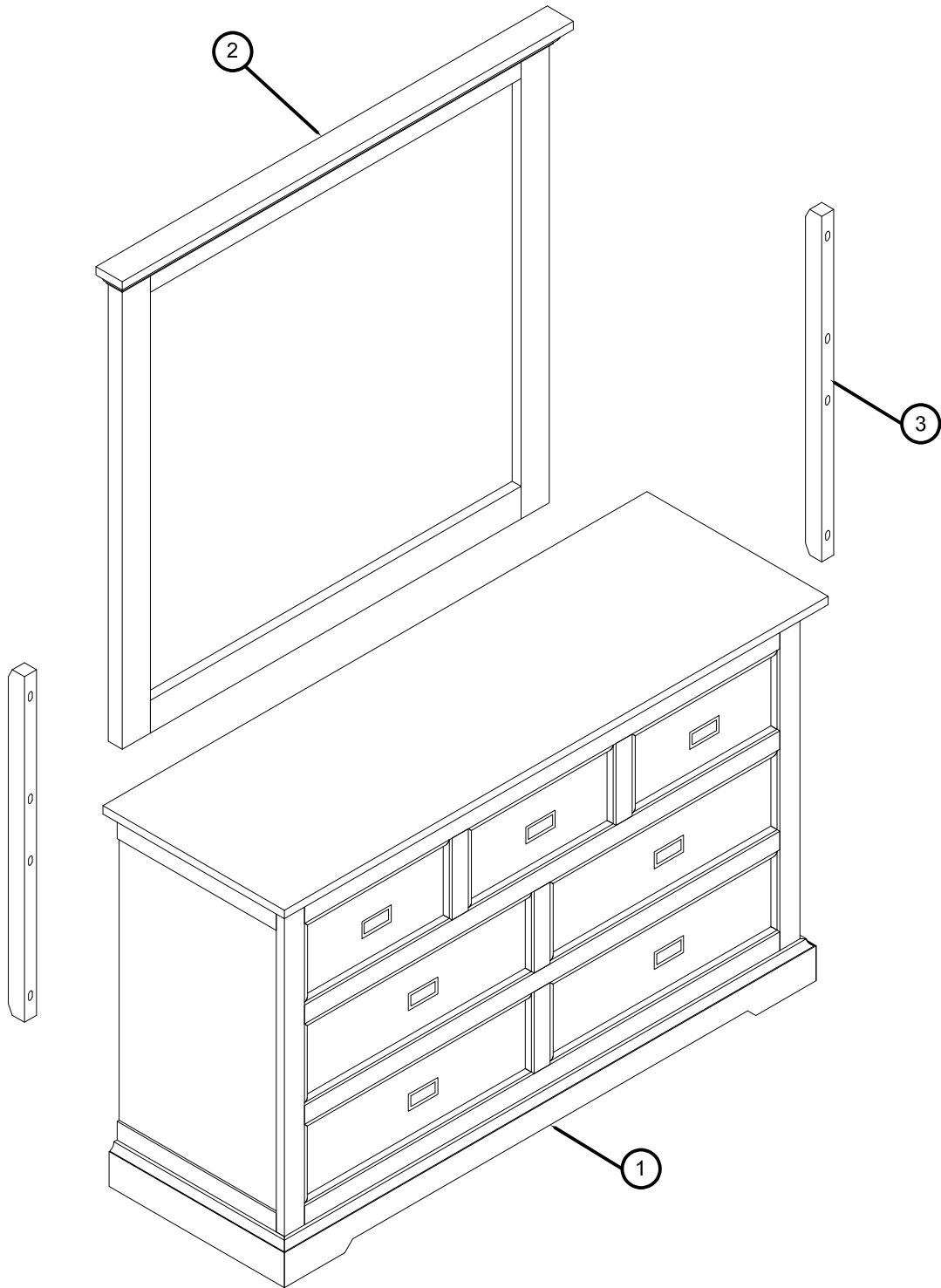
## BEFORE YOU START :

1. Choose a clean, level, spacious assembly area. Avoid hard surfaces that may damage the product
2. Take care when lifting. Product should be assembled as near as possible to the point of use
3. Ensure that you have all required contents for complete assembly
4. Always read the assembly instructions carefully before beginning assembly.
5. Keep all hardware parts and packaging out of reach of small children.
6. Do not over tighten the screws and bolts as this may damage the threads





	
ALLOW 10 MINUTES	2 PEOPLE REQUIRED
 	We recommend using screw driver to put this item together. However if you choose to use a power drill it must be used on <b>LOW SPEED (LOW TORQUE)</b> as too much pressure could damage the product.
ADDITIONAL TOOLS REQUIRED	

 <b>WARNING</b>		
		<p><b>Children have died from furniture tipover.</b></p> <ul style="list-style-type: none"><li>• ALWAYS secure it with an anchor device.</li><li>• NEVER allow children to stand, climb or hang on drawers, doors, or shelves.</li><li>• NEVER open more than one drawer at a time.</li><li>• Place heavy items down low</li></ul> <p><b>NEVER put a TV on this furniture</b> </p> <p><b>This is a permanent label. Do not remove!</b></p>

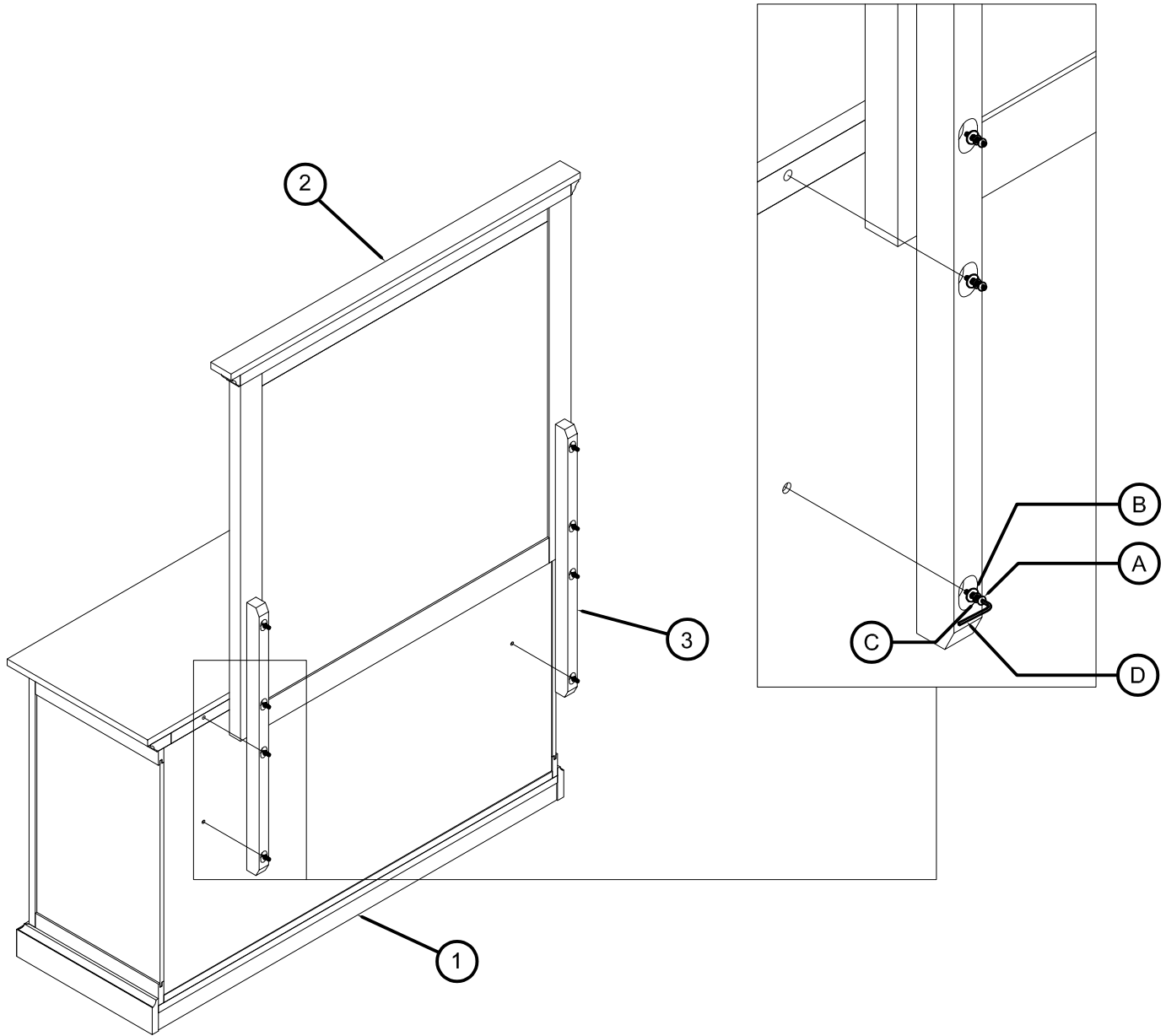
# PARTS LIST







1	DRESSER	1PC
2	MIRROR	1PC
3	MIRROR SUPPORT	2PCS

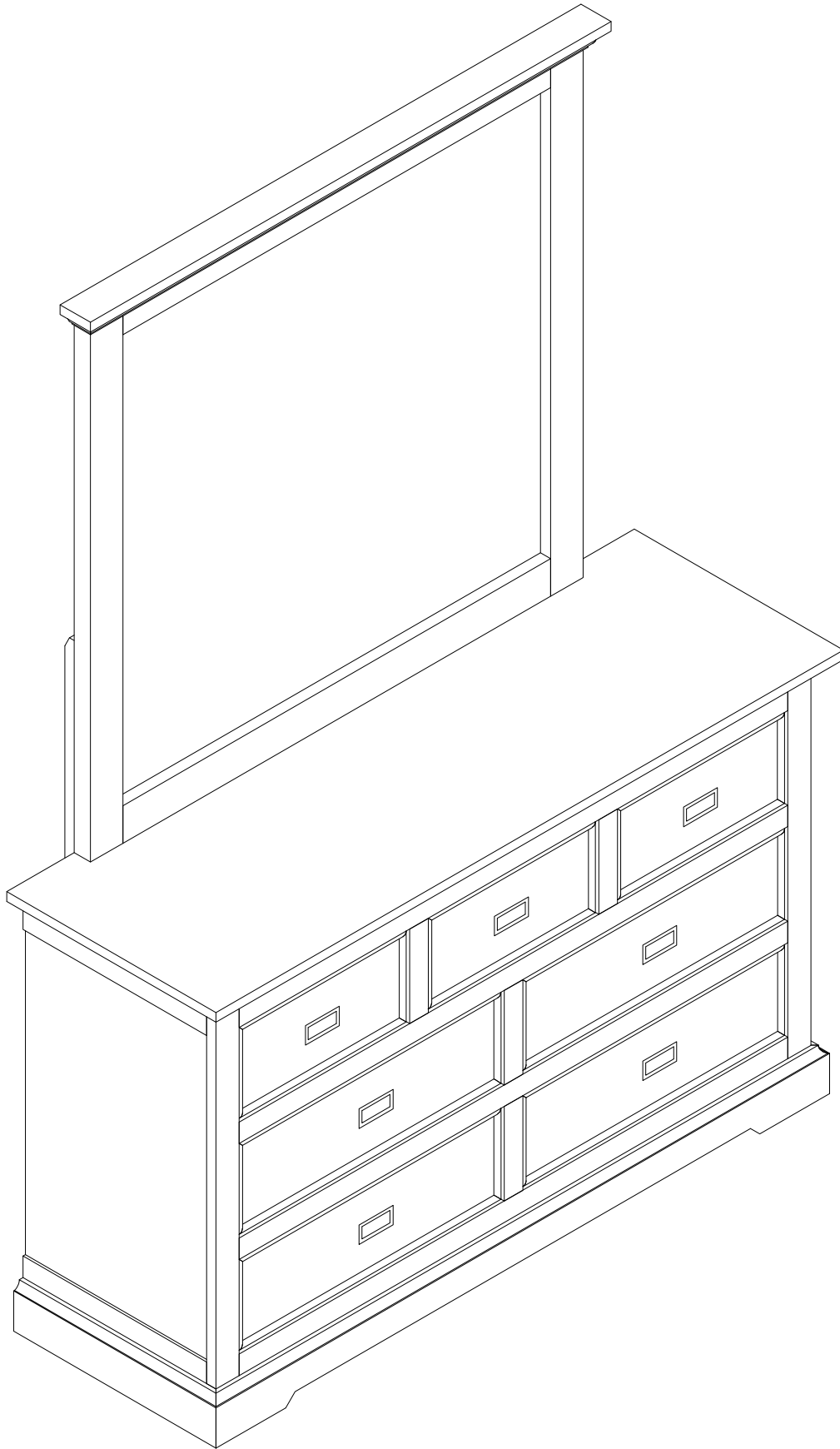
<b>A</b>	BOLTS	<b>B</b>	FLAT WASHER	<b>C</b>	SPRING WASHER	<b>D</b>	ALLEN KEY
							
M6x40: 08pcs		Ø6xØ19x2: 08pcs		Ø6xØ11x1.2: 08pcs		M4X59: 1 pc	

**Attach the mirror (2) To the dresser (1) by the mirror support (3) with bolts (A), flat washer (B), spring washer (C) and using allen key (D).**



<b>A</b> BOLTS	<b>B</b> FLAT WASHER	<b>C</b> SPRING WASHER	<b>D</b> ALLEN KEY
			
M6x40: 08pcs	Ø6xØ19x2: 08pcs	Ø6xØ11x1.2: 08pcs	M4X59: 1 pc

# ASSEMBLY COMPLETE



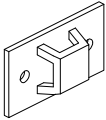
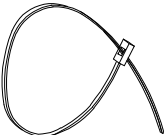


**DO NOT PUSH OR DRAG THIS FURNITURE – IT WILL CAUSE DAMAGE TO THE LEGS**

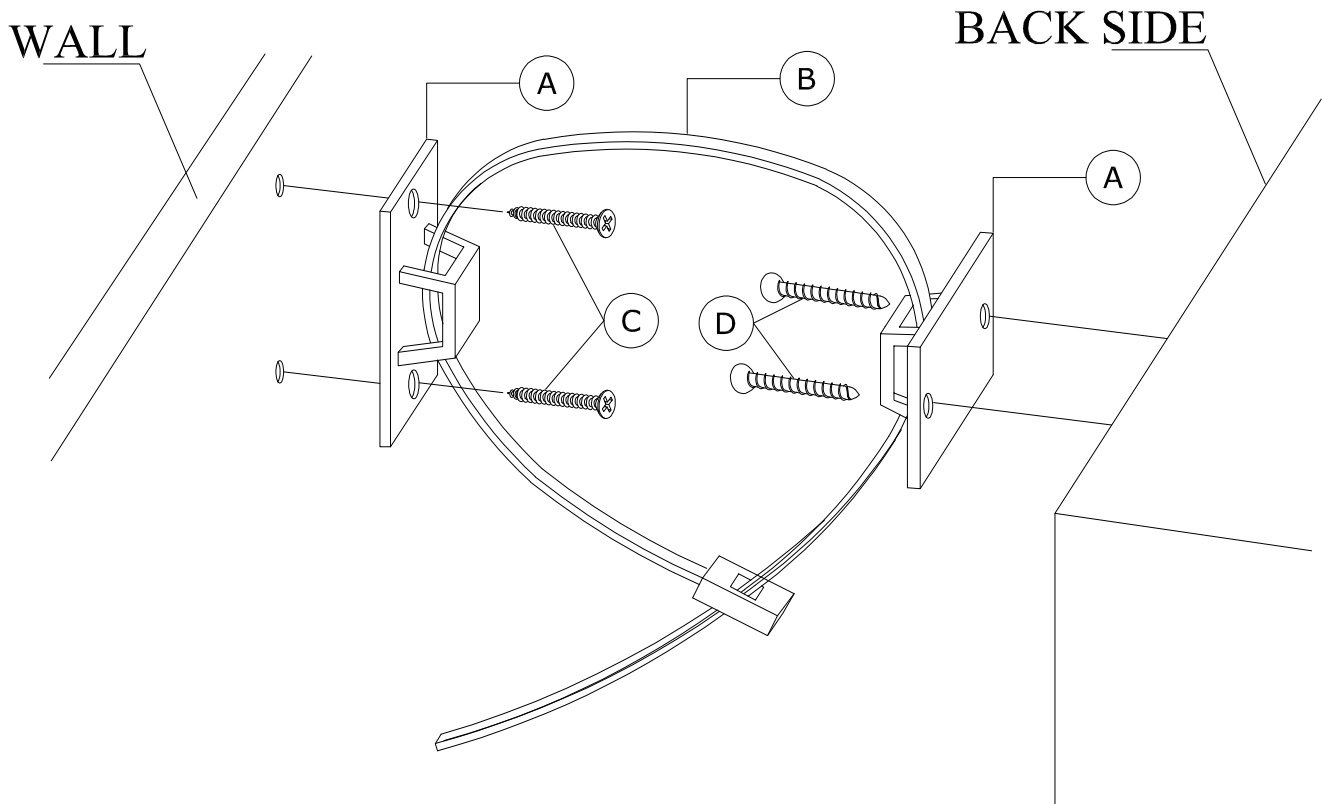
# SAFETY BRACKETS INTRUCTIONS

This furniture poses a tipping risk and as such must be secured to a wall using the provided tipping kit.

1. Attach one Mounting Plate to the wall with the Large Screws. Make sure to attach the Mounting Plate into a stud. If mounting into brick or masonry you will need to acquire wall anchors.
2. Attach the second Mounting Plate to the furniture frame with the Short Screws.
3. Move the furniture to its final position. Thread a Wall Strap through the both Mounting Plates and tighten until snug. Do not over tighten.
4. Make sure that the Mounting Plates are firmly attached to the wall and furniture and that the Wall Strap is snug.

## HARDWARE

A. Mounting Plate	B. Wall Strap	C. Large Screw	D. Small Screw
 4 pcs	 Ø4 x 15mm 2 pc	 Ø5 x 40mm 4 pcs	 Ø4 x 20mm 4 pcs





Product : **CHARLSBOURG DRESSER WITH MIRROR**  
Item Code : **83233**

## Product Care:

As you timber is supplied from sustainable forests there will be natural variations in surface texture and grain like knots, mineral streaks and sap runs that may affect the finish. These differences in character are not defects, but distinctions that make each piece of furniture unique. Our furniture is built to last. Following these steps for basic care should protect your investment for years to come.

- Dust frequently with a clean damp lint-free cloth. This will help remove abrasive build up which can damage a finish over time.
- Do not place hot objects on any furniture surface. Always use a hot plate or placemat. Laminate and lacquer finishes on table tops provide added scratch and heat resistance to our furniture, but they can still be damaged without proper care.
- Avoid exposing your furniture to strong sunlight, heat outlet, open windows or dampness. Prolonged exposure to direct sunlight can fade the finish of your furniture, while extreme temperature and humidity changes can cause cracking or splitting.
- Do not expose your furniture to any liquids. Never allow water to sit on your furniture. Alcohol, nail polish and perfume are also dangerous as they will dissolve the lacquer finish on contact and may require professional repairs.
- Do not allow plastic to come in direct contact with your furniture. Chemicals in the plastic of placemats etc may soften and mark the finish if left in contact with the furniture for a period of time.