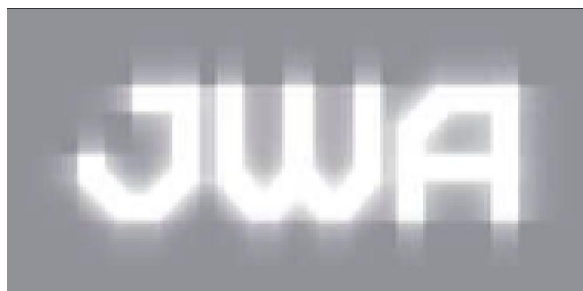
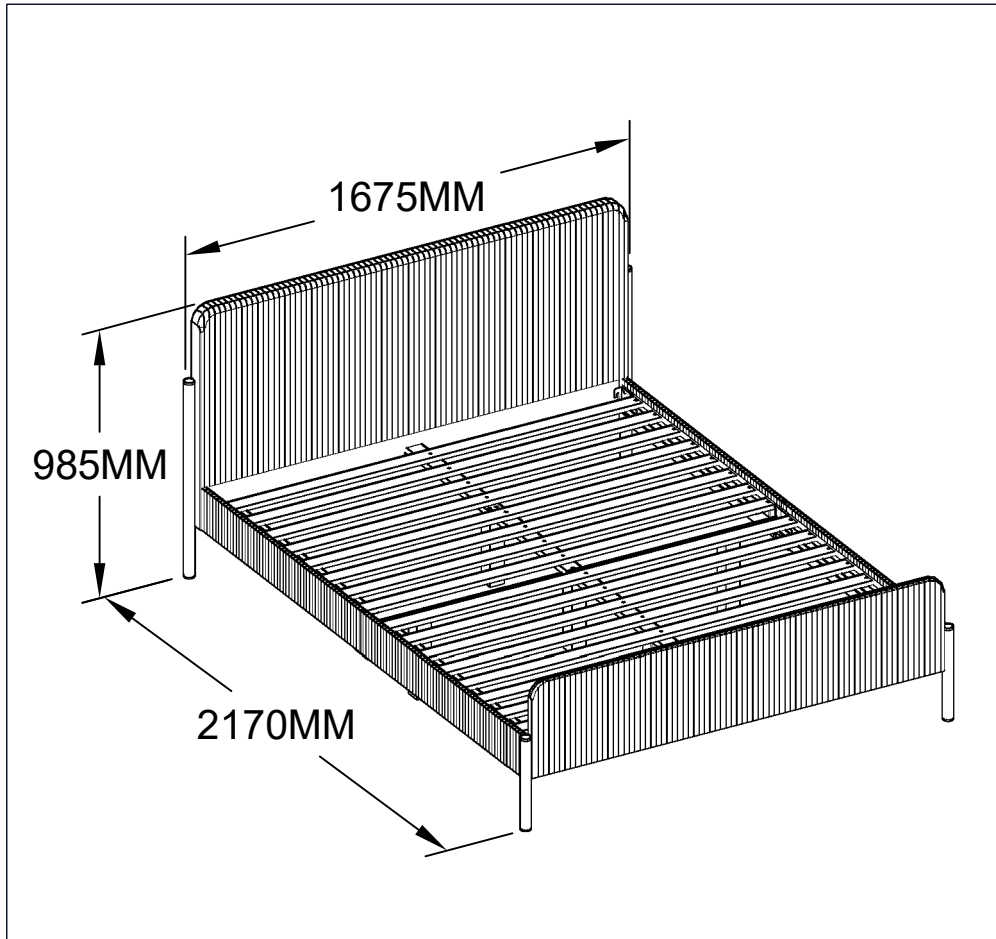


ASSEMBLY INSTRUCTION
WALTER QUEEN BED
83532

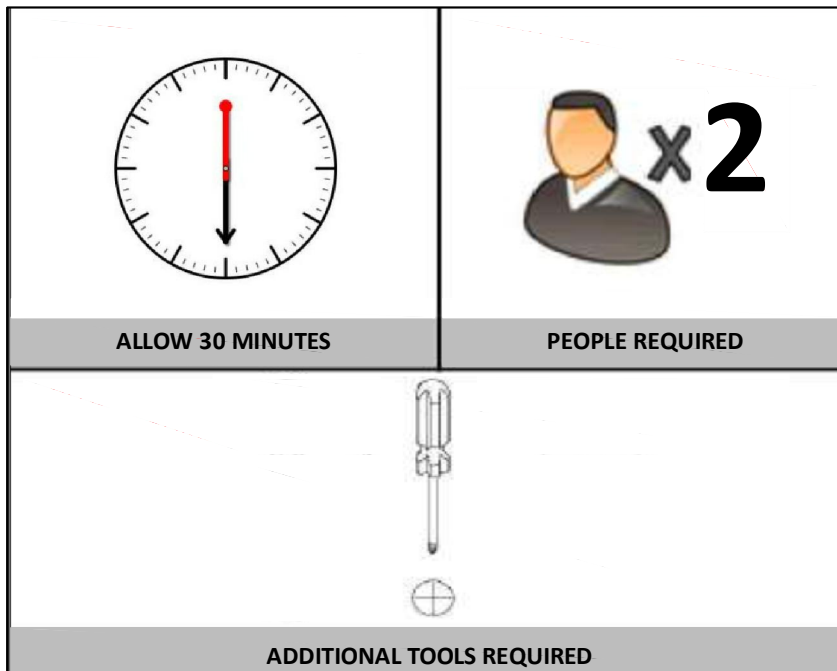


Imported by JWA Furniture Pty Ltd, Qld, Brisbane Australia.
For any assistance with assembly or for missing parts please refer to your receipt

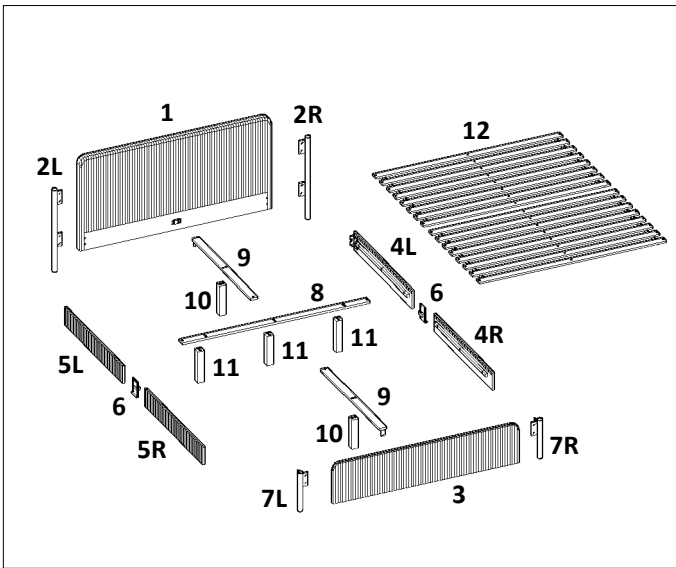
PRE-ASSEMBLY PREPARATION

Before you start:



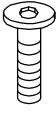

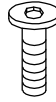

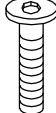





1. Choose a clean, level, spacious assembly area. Avoid hard surfaces that may damage the product
2. Take care when lifting. Product should be assembled as near as possible to the point of use
3. Ensure that you have all required contents for complete assembly
4. Always read the assembly instructions carefully before beginning assembly.
5. Keep all hardware parts and packaging out of reach of small children.
6. Do not over tighten the screws and bolts as this may damage the threads



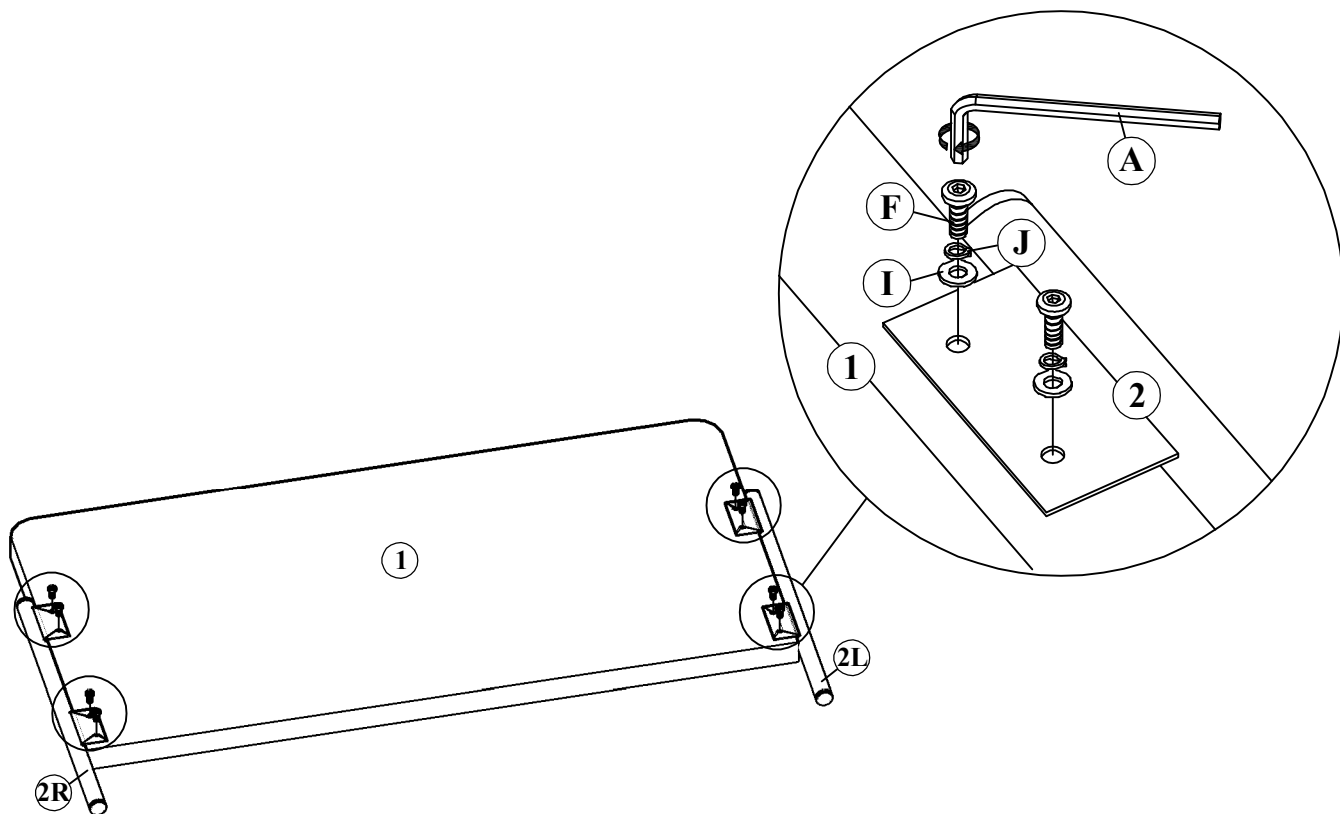
PARTS LIST



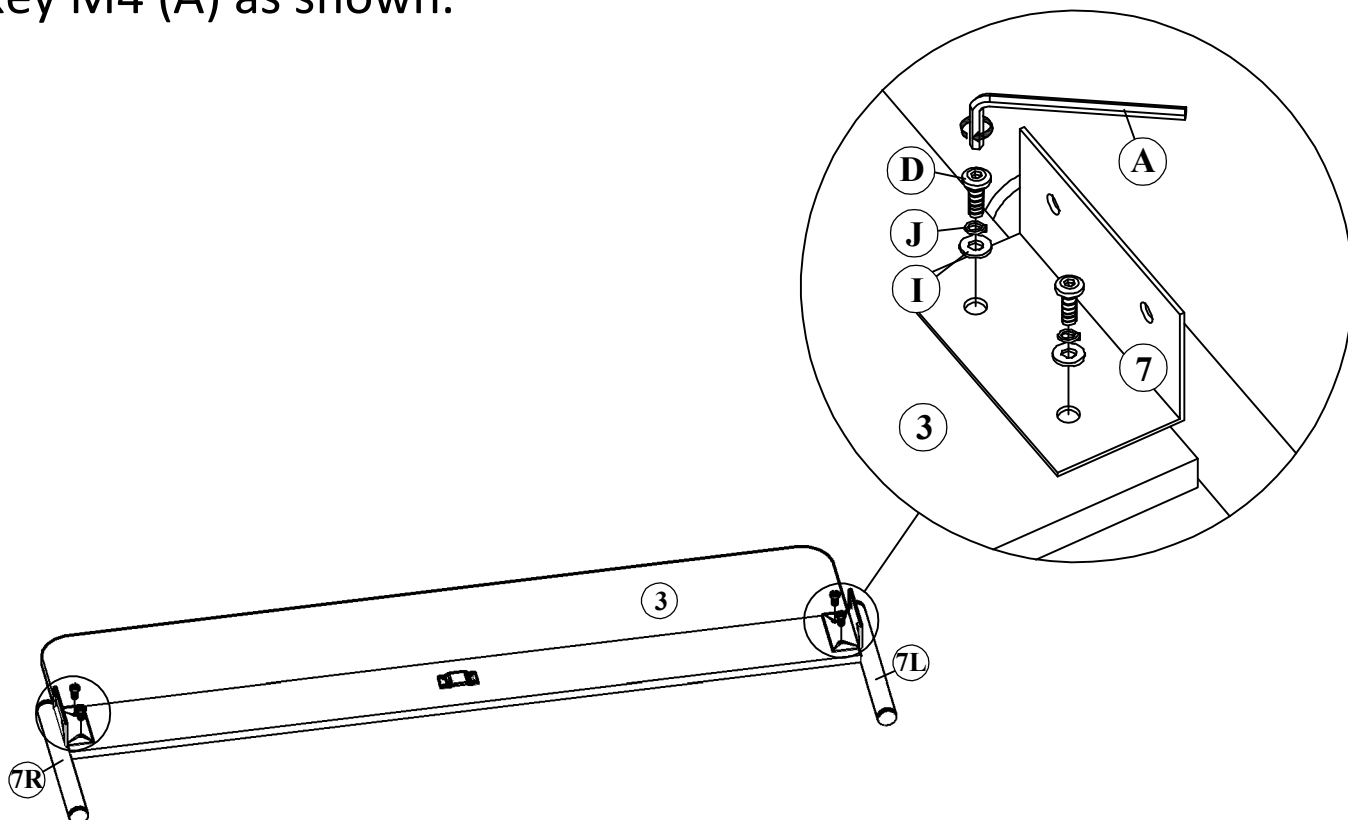
1	HEADBOARD
2	HEADBOARD LEG (L+R)
3	FOOTBOARD
4	SIDE RAIL (L+R)
5	SIDE RAIL (L+R)
6	SIDE RAIL SUPPORT (METAL)
7	FOOTBOARD LEG (L+R)
8	CENTER RAIL (MIDDLE)
9	CENTER RAIL
10	CENTER LEG (LONG)
11	CENTER LEG (SHORT)
12	SLATS

<p>A Allen Key M4</p>  <p>1xA</p>	<p>B Allen Key M5</p>  <p>1xB</p>	<p>C JCBC M6 x 40mm</p>  <p>8xC</p>
<p>D JCBC M6 x 16mm (Black)</p>  <p>16xD</p>	<p>E JCBC M6 x 30mm</p>  <p>2xE</p>	<p>F JCBC M6 x 20mm (Black)</p>  <p>8xF</p>
<p>G JCBC M6 x 50mm</p>  <p>2xG</p>	<p>H JCBC M6 x 25mm</p>  <p>8xH</p>	<p>I M6 Flat Washer (Black)</p>  <p>24xI</p>
<p>J M6 Spring Washer (Black)</p>  <p>24xJ</p>	<p>K Wood Screw M4 x 25mm</p>  <p>40xK</p>	<p>L Wood Screw M3.5 x 16mm</p>  <p>2xL</p>

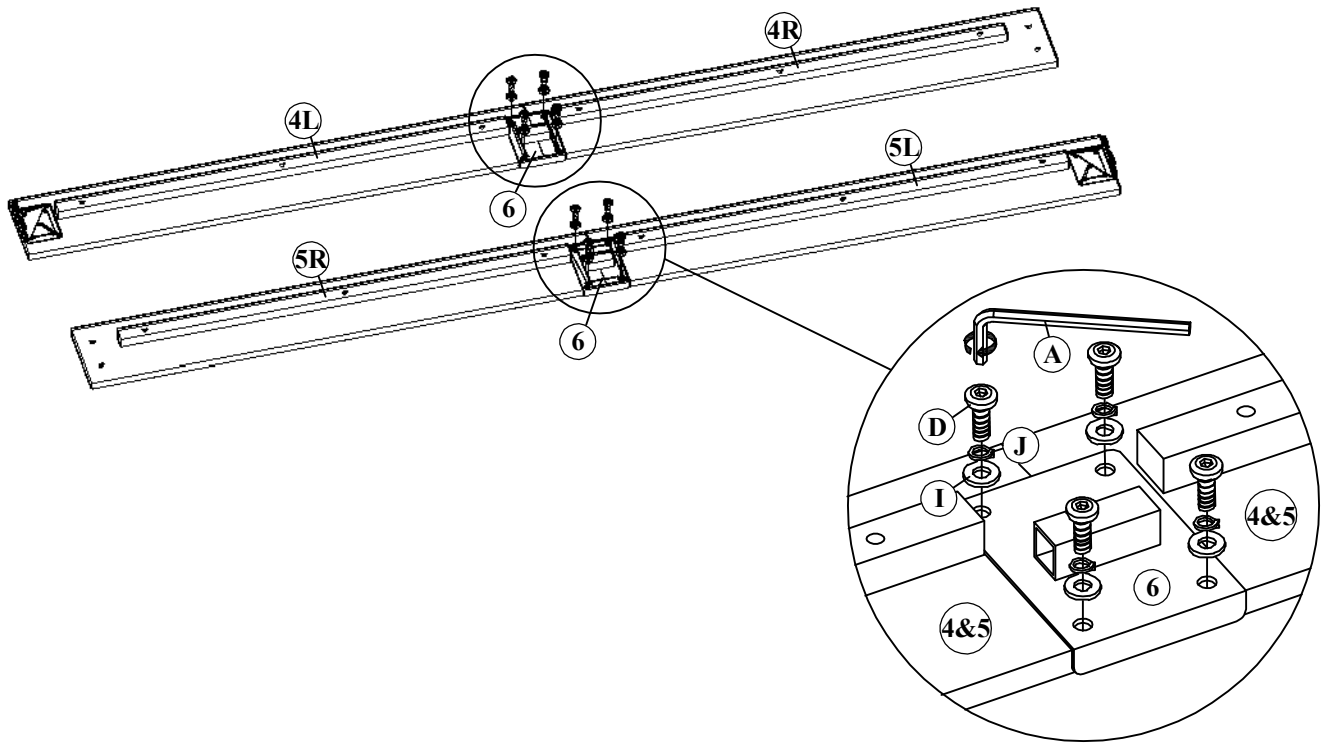
STEP 1 : Attach the (2) to (1) by using (F),(J) and (I) with Allen Key M4 (A) as shown.



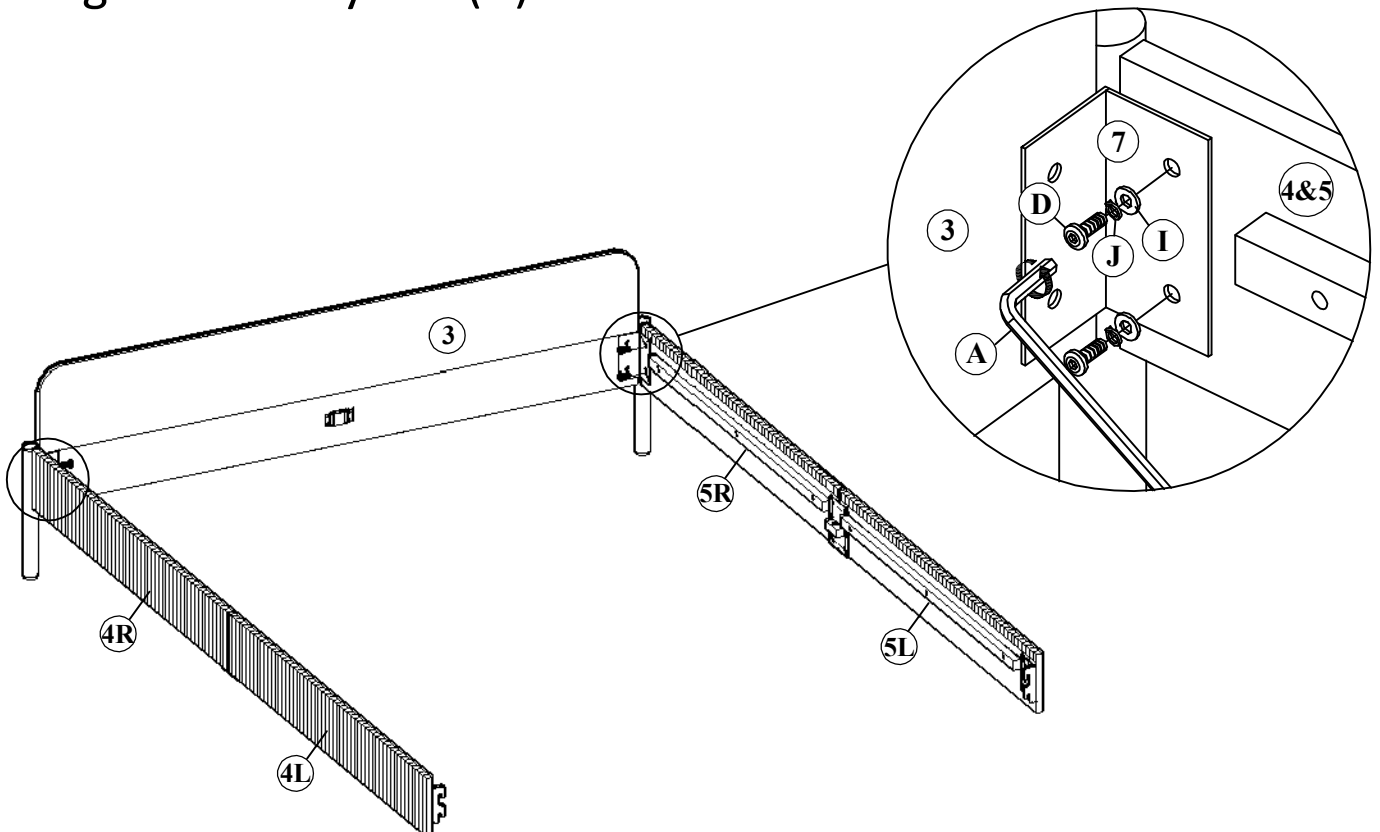
STEP 2 : Attach the (7) to (3) by using (D),(J) and (I) with Allen Key M4 (A) as shown.



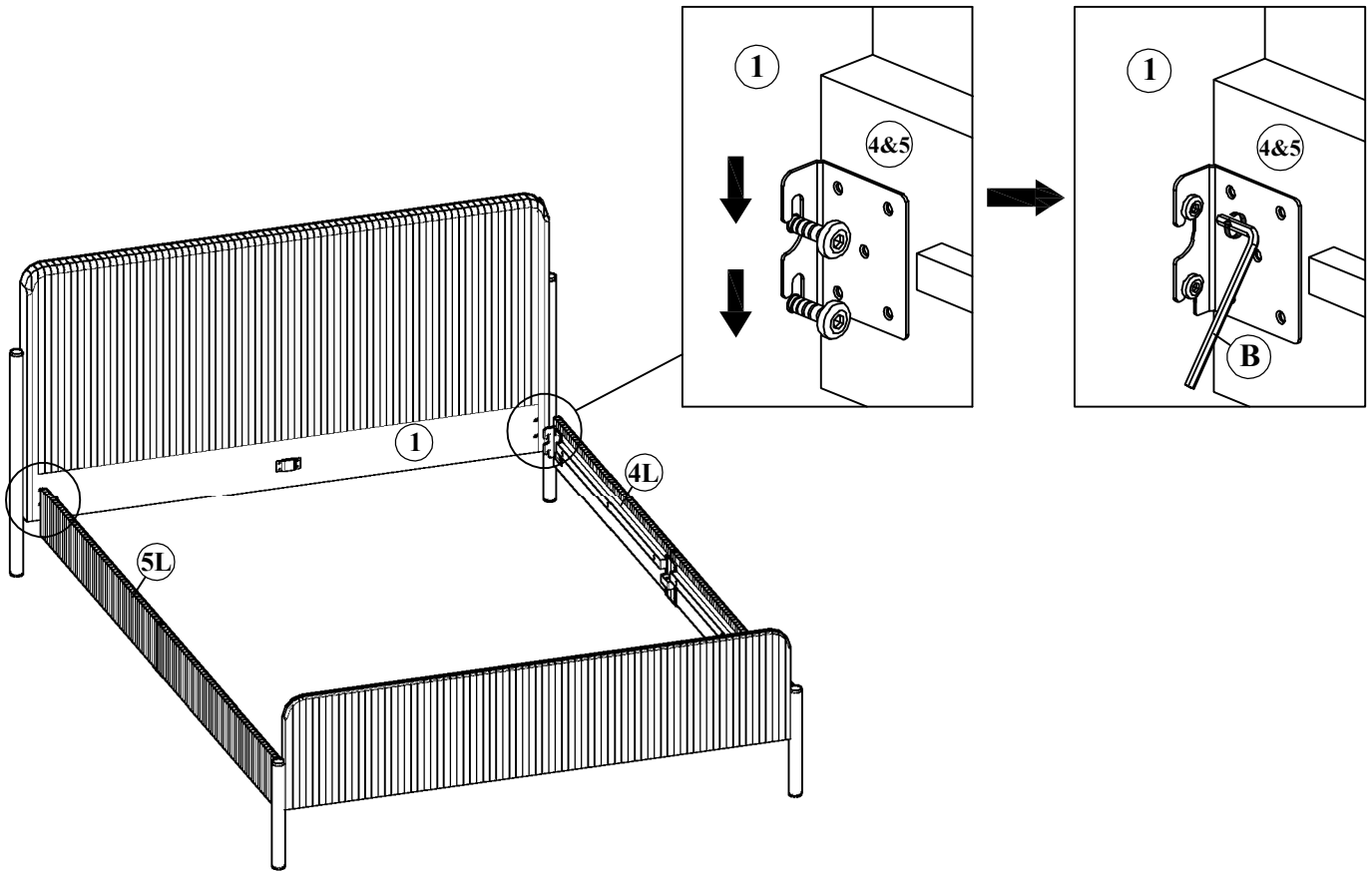
STEP 3 : Attach (6) to (4) and (5) With (D),(J) and (I) Using a Allen Key M4 (A) as shown.



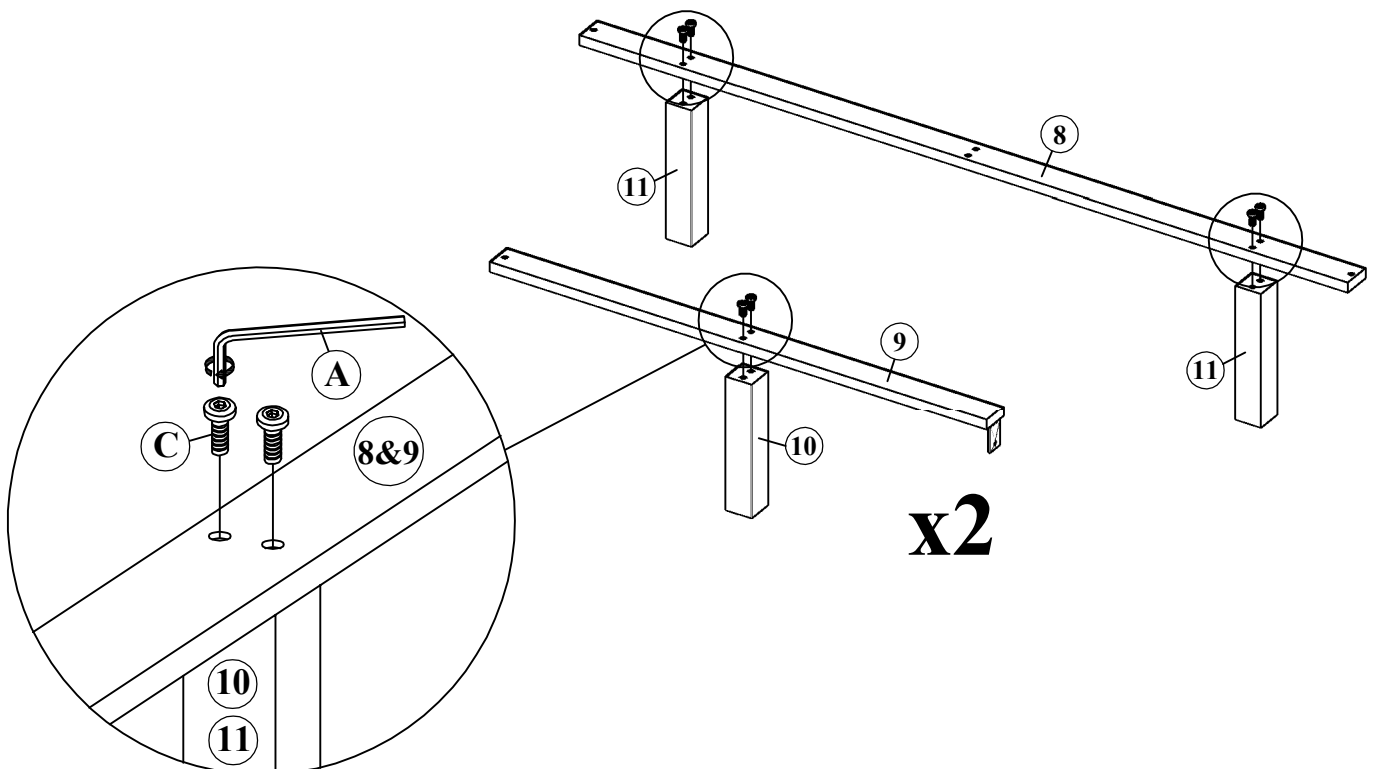
STEP 4 : Attach Assembled (3) to (4) and (5) With (D),(J) and (I) Using a Allen Key M4 (A) as shown.



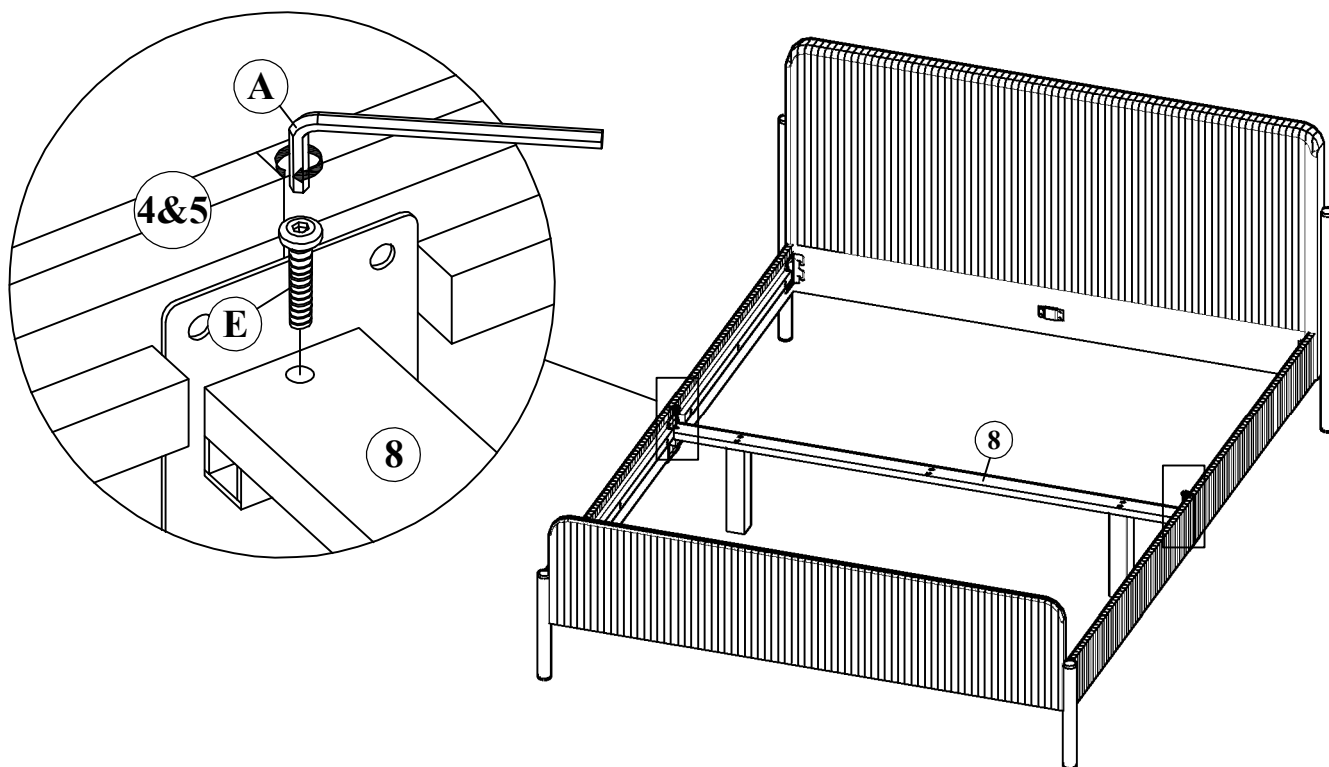
STEP 5 : Attach (4) and (5) to Assembled Headboard as shown.



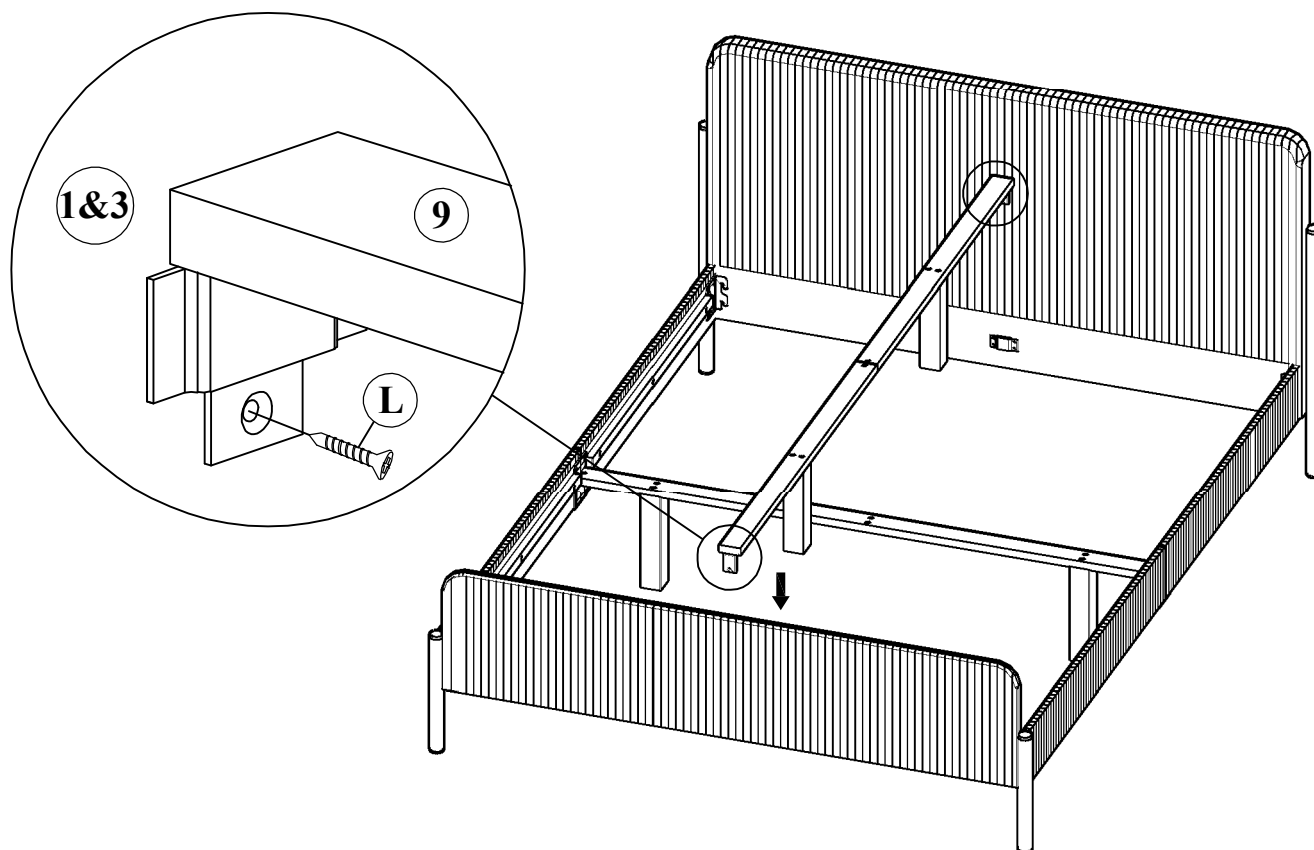
STEP 6 : Attach Assembled Bed Slats to Assembled Bed Frame with (C) Using a Allen Key M4 (A) as shown.



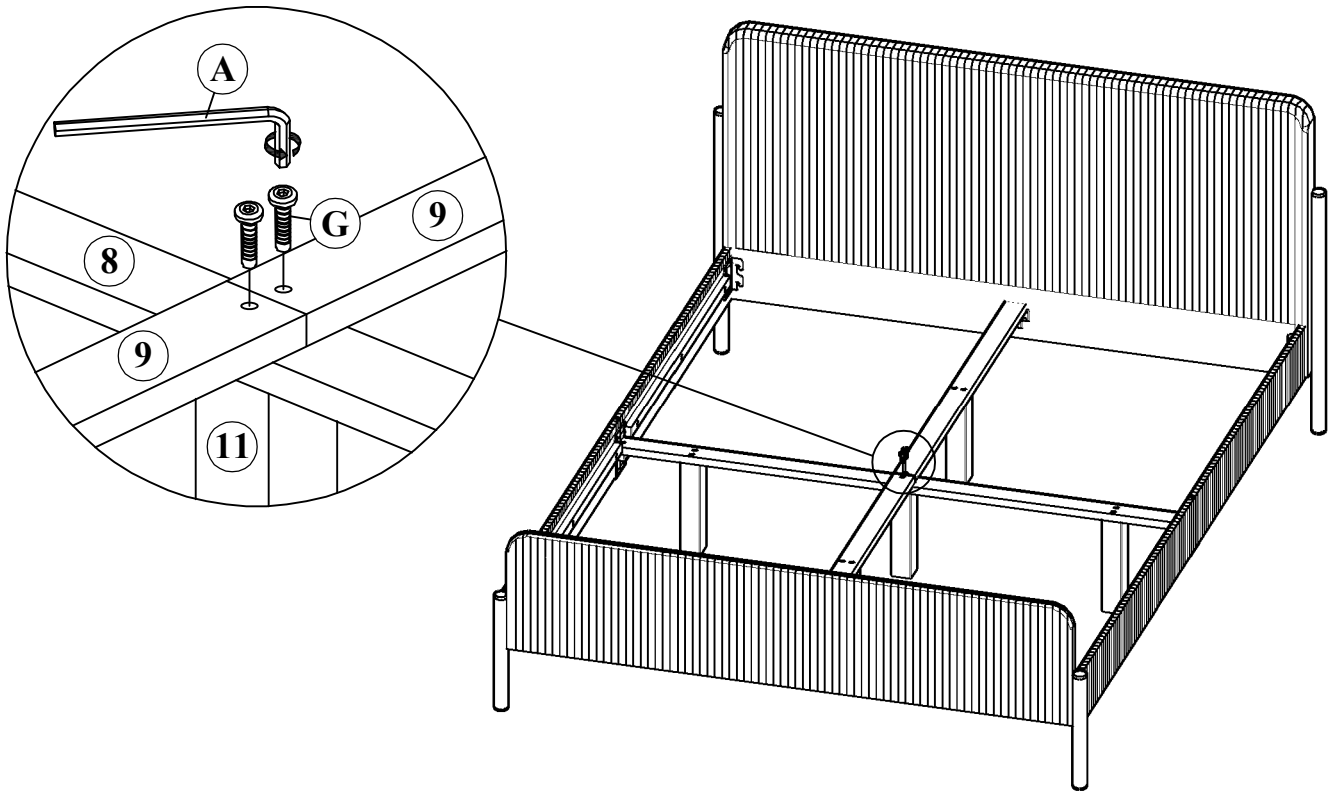
STEP 7 : Attach Assembled Center Rail (8) to (6) with (E) Using a Allen Key M4 (A) as shown.



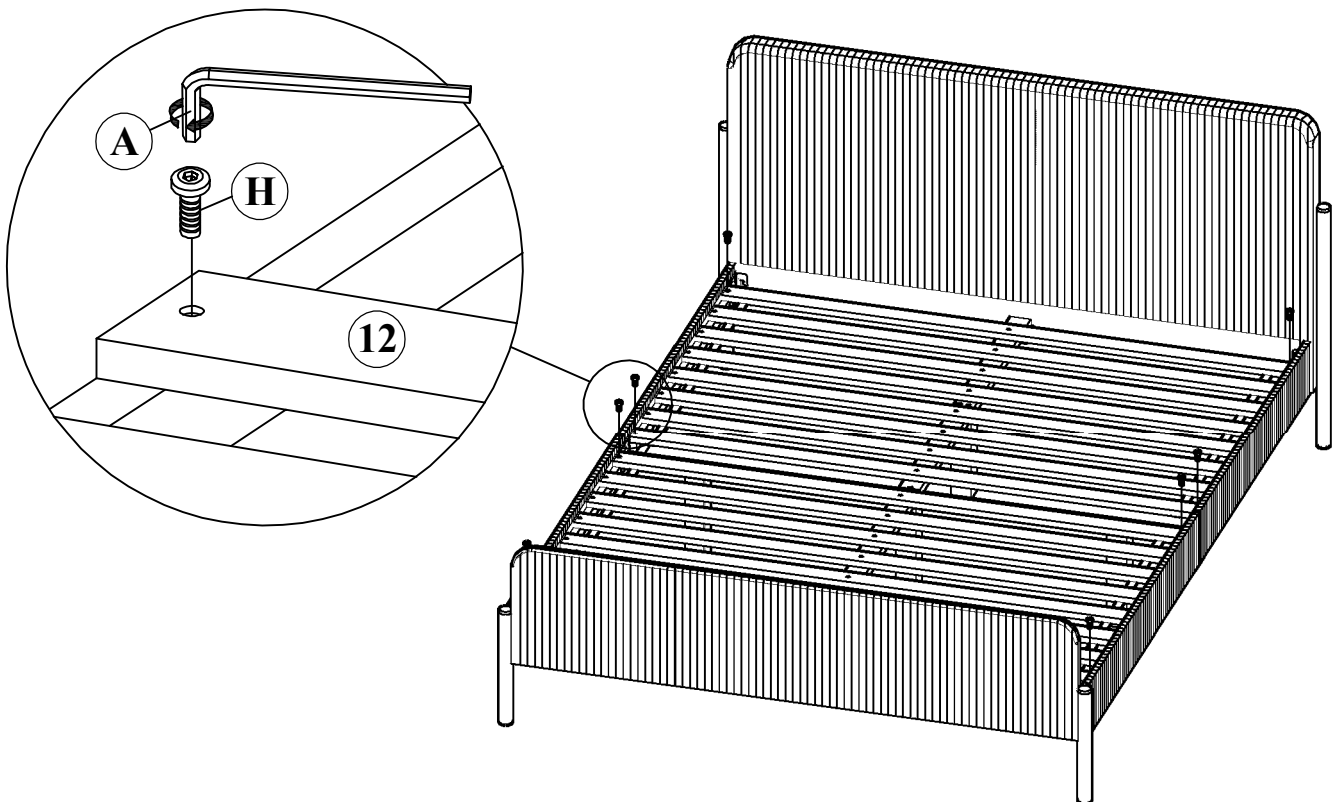
STEP 8 : Attach Assembled Center Rail (9) to (1) and (3) with (L) using a Screwdriver as shown.



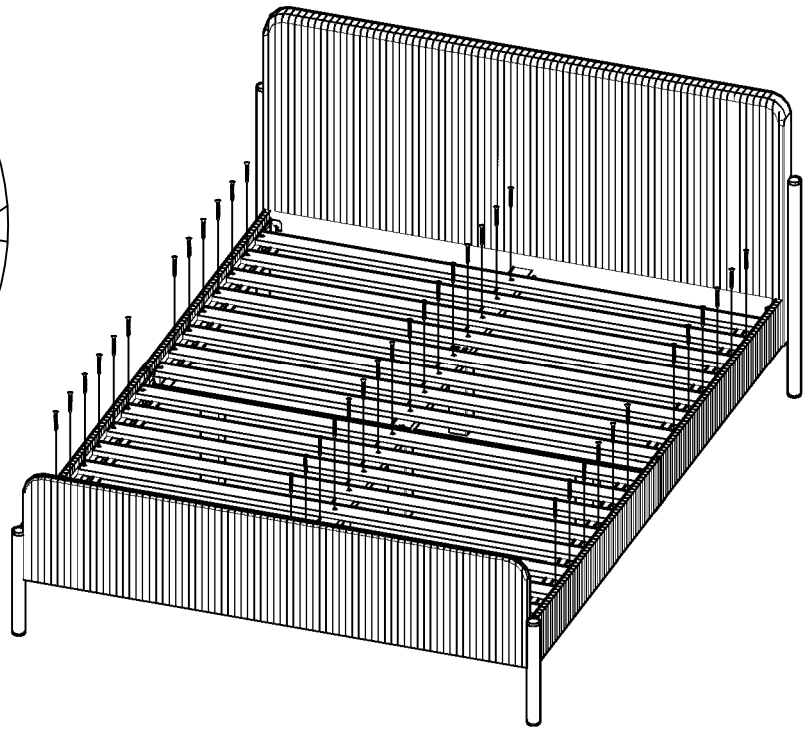
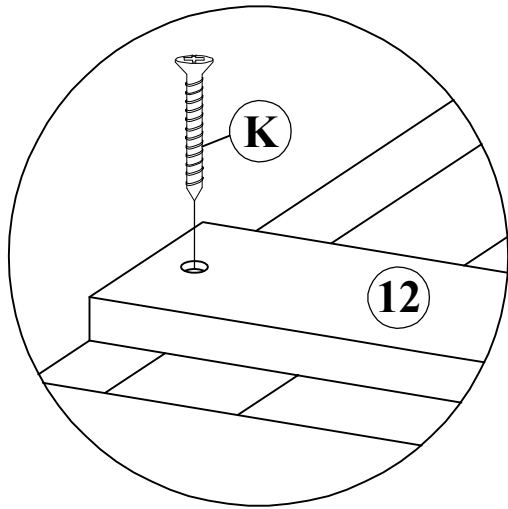
STEP 9 : Attach (11) to (8) and (9) with (G) Using a Allen Key M4 (A) as shown.



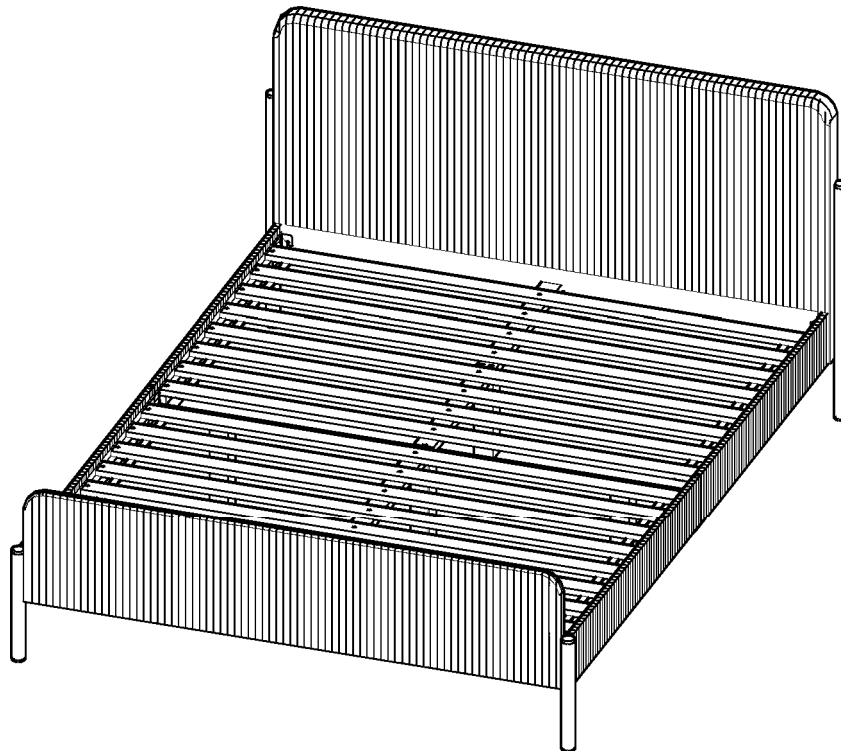
STEP 10 : Attach Assembled Bed Slats to Assembled Bed Frame with (H) Using a Allen Key M4 (A) as shown.



STEP 11 : Attach Assembled Bed Slats to Assembled Bed Frame with (K) using a Screwdriver as shown.



ASSEMBLY IS COMPLETE



CAUTION:

ALWAYS LIFT YOUR BED WHEN MOVING/RELOCATING - DO NOT DRAG.
DRAGGING CAN CAUSE THE CENTRE SUPPORT LEGS TO BEND/BREAK

PRODUCT CARE:

REGULAR CARE:

- Protect from direct sunlight
- Vacuum regularly using low suction
- Do not place sharp materials (knife, fork, etc.) directly onto your furniture as sharp material may scrape and damage the finish.
- Do not place material with high temperature directly onto the surface of your furniture.

CLEANING:

- Protect from direct sunlight
- Vacuum regularly using low suction
- Do not place sharp materials (knife, fork, etc.) directly onto your furniture as sharp material may scrape and damage the finish.
- Do not place material with high temperature directly onto the surface of your furniture.

SPOT CLEANING:

- Do not rub
- Do not spot clean with any solvent
- Treat spills and stains as soon as possible
- Gently scrape off any soil or blot any liquid from the surface of the fabric before applying cleaner
- Apply proprietary cleaning agents strictly according to instructions to remove the residue of the spill
- Do not saturate the fabric or interior with water or other cleaning liquids

WARNING:

Apply only water-based soil resist (fabric protection) treatments. Do not use aerosol products

*** PILLING IS NOT A FABRIC DEFECT OR FAULT AND IS NOT COVERED BY WARRANTY**

*** PILLING IS A NORMAL OCCURRENCE CAUSED BY WEAR AND TEAR AND DOES NOT AFFECT THE DURABILITY OR FUNCTIONALITY OF THE FABRIC AND IS EASILY REMOVED**