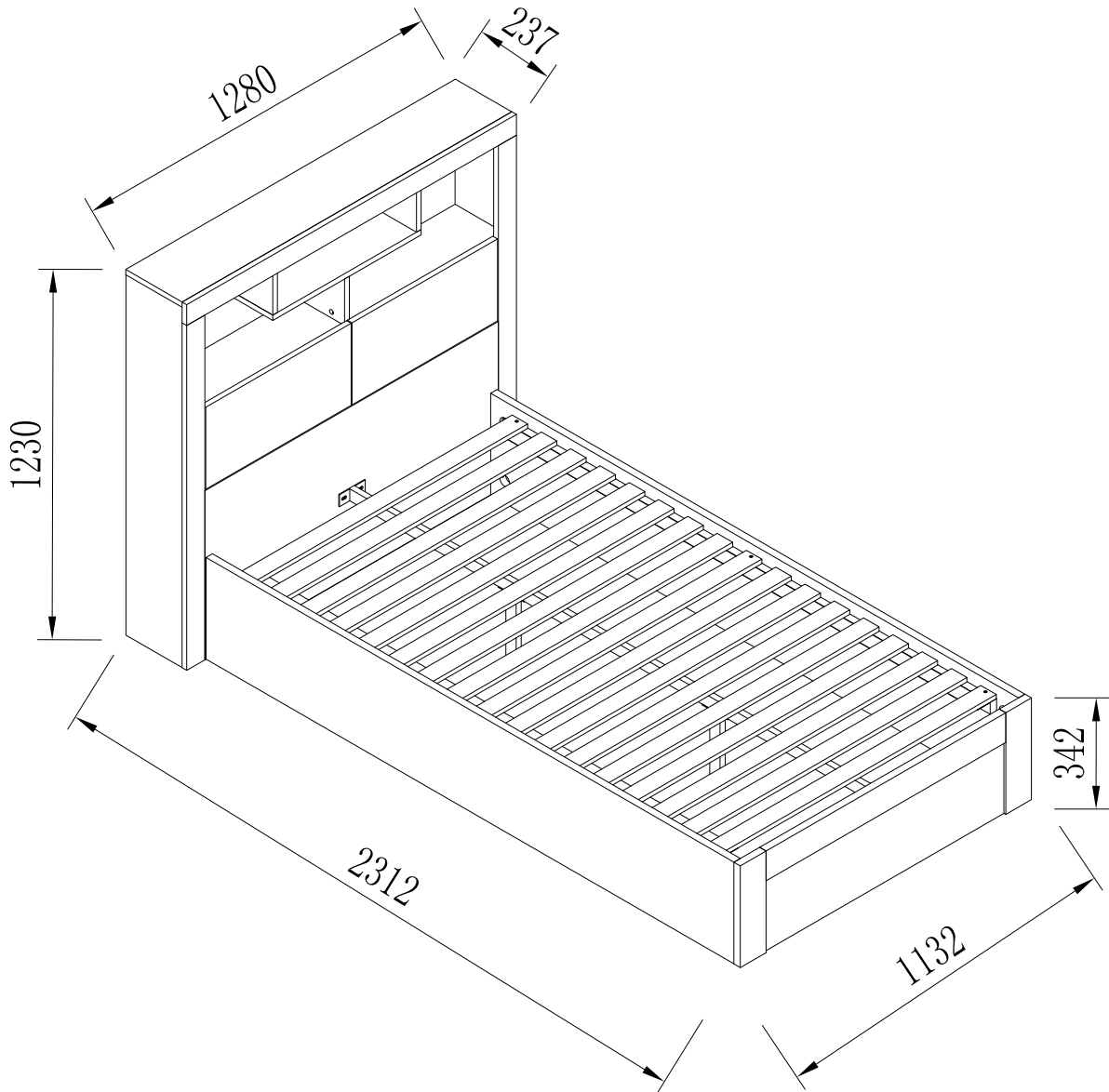




ASSEMBLY INSTRUCTION GEOVANA KING SINGLE BED ITEM CODE 79746

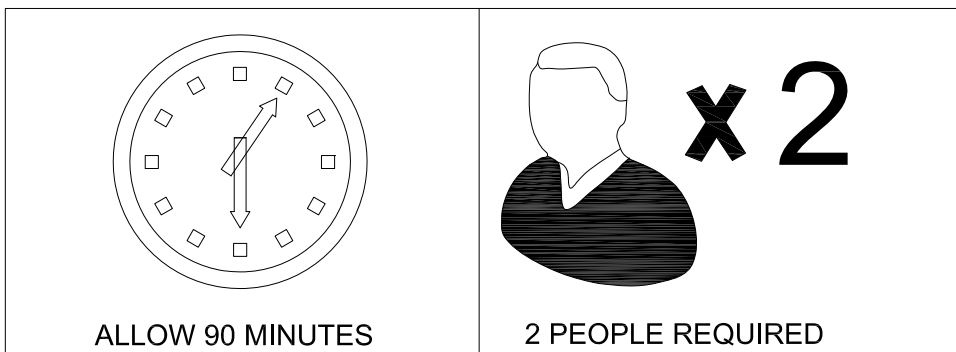


Imported by Amart Furniture Pty Ltd. Qld. Brisbane Australia.
For any assistance with assembly or for missing parts please phone Amart Furniture
Customer Service Free call 1800 351 084

PRE-ASSEMBLY PREPARATION

Before you start:

1. Choose a clean, level, spacious assembly area. Avoid hard surfaces that may damage the product
2. Take care when lifting. Product should be assembled as near as possible to the point of use
3. Ensure that you have all required contents for complete assembly.
4. Always read the assembly instructions carefully before beginning assembly.
5. Keep all hardware parts and packaging out of reach of small children.
6. Do not over tighten the screws and bolts as this may damage the threads



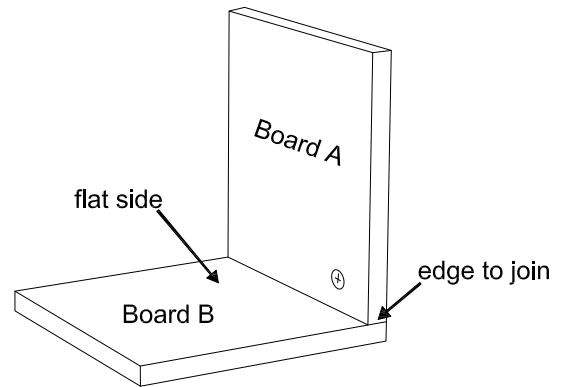
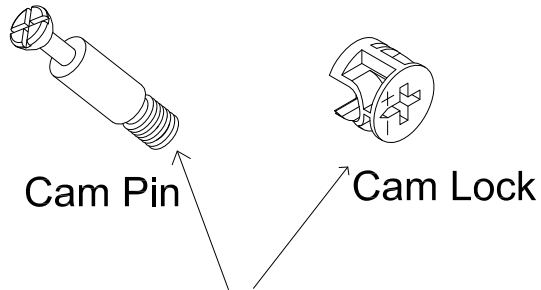
CAM Lock and Pins

step 1

HOW TO USE CAM LOCK FASTENERS

To assemble this product hardware called Cam Lock Fasteners are used. The below is information on how these work.

Cam Locks are fasteners used to join two boards together, usually the edge of one board(A) to the flat side of another board(B)



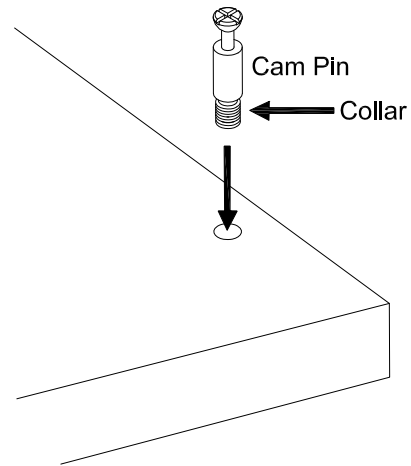
Ensure that you use the correct images that are representative of the hardware used in the product

step 2

To use Cam Lock Fasteners

The Cam Pin is inserted into the flat side of a board, it is important that:

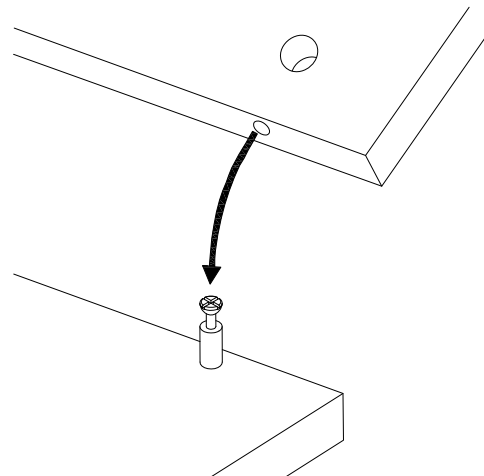
- * The cam pin is kept vertical and is not put in on an angle
- * Cam Pin is inserted up to the collar
 - * Too far and it wont catch the Cam Lock (Do not Over Tighten)
 - * Not enough and the resulting product wont be stable



step 3

To use Cam Lock Fasteners

Now fit the hole in the edge of the joining board over the Cam Pin

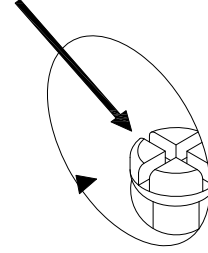


step 4

To use Cam Lock Fasteners

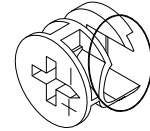
The Head of the Cam Pin will be visible in the large hole on the side of the joining board

head of the Cam Pin



To use Cam Lock Fasteners

Notice the Cam Lock has a "C" Shaped back An Arrow or +/- signs on the front, indicated the open section on the back of the Cam Pin



Cam Lock

step 5

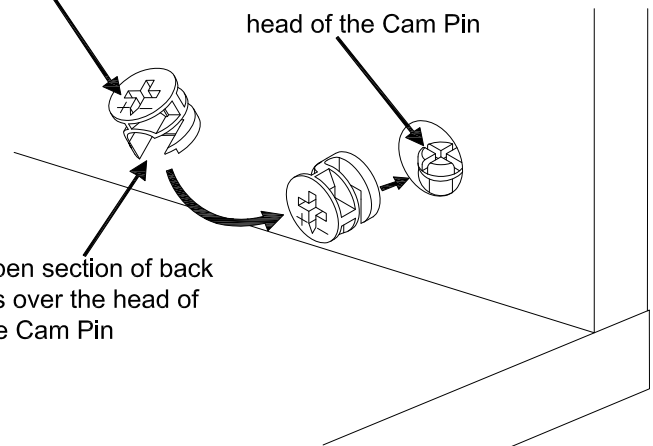
To use Cam Lock Fasteners

In sert the Cam Lock into the large hole so the opening of the "C" fits over the head of the Cam Pin. You must ensure that the Cam Lock is pushed to the bottom of the hole to catch the top of the Cam Pin

Arrow or +/- signs

head of the Cam Pin

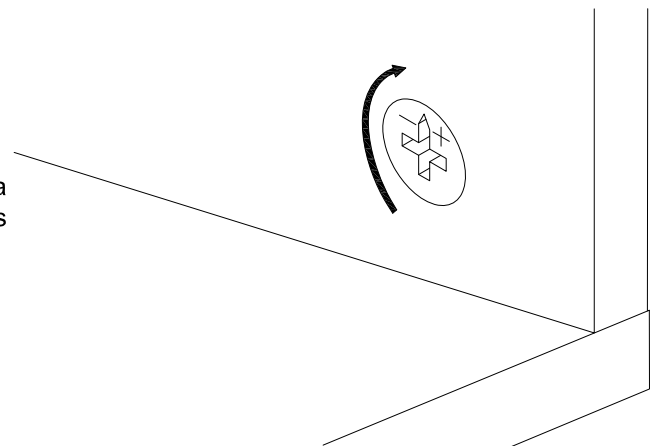
Open section of back fits over the head of the Cam Pin



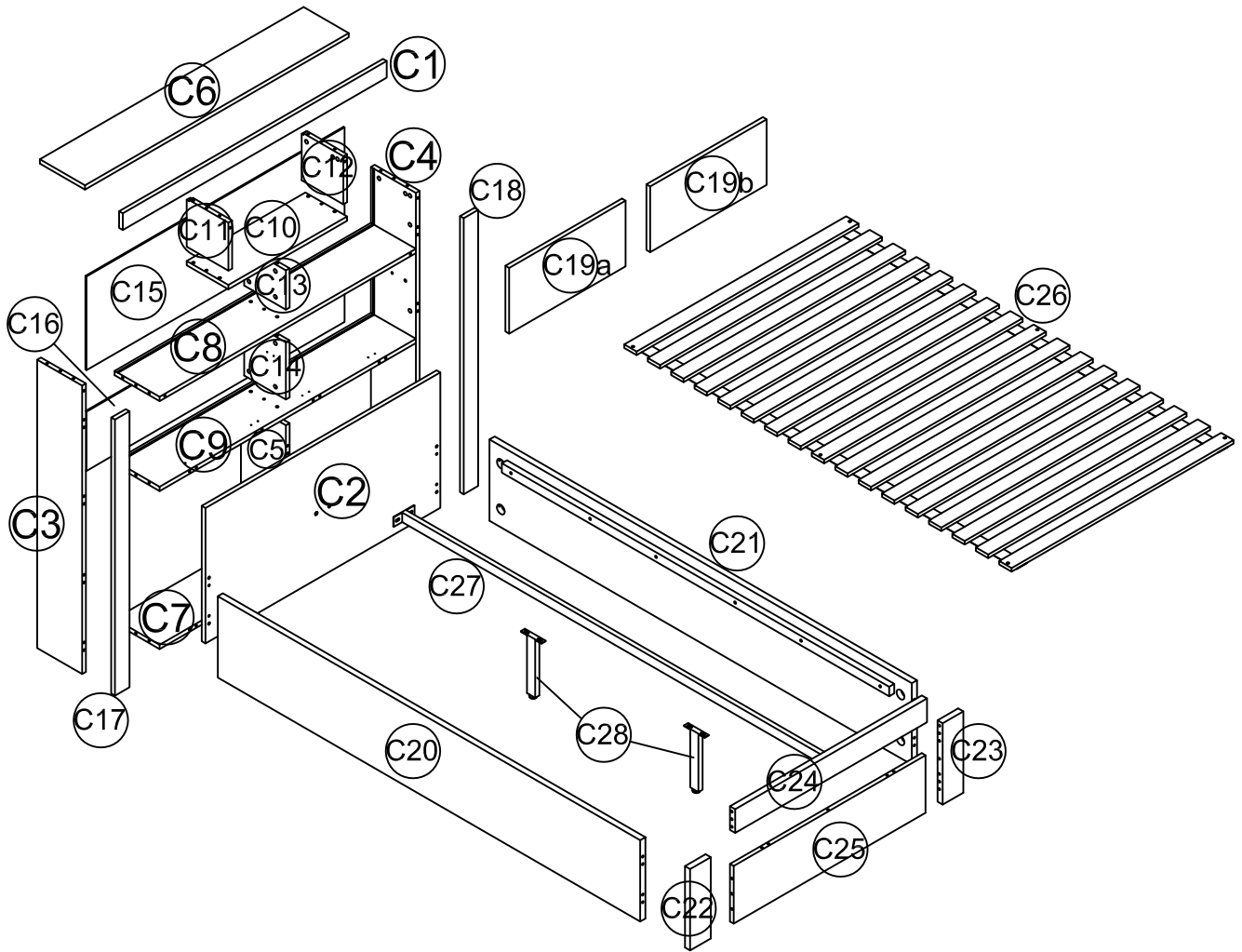
step 6

To use Cam Lock Fasteners

Use a flat screwdriver to turn the Cam Lock clockwise one half a turn so it Locks onto the head of the Cam Pin. Turn only until it is snug-over-tightening could cause the Cam to bend or break. If it will not turn the full amount, turn the Cam Pin out (counter-clockwise) one full turn, and try the Cam Lock again.



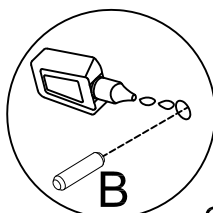
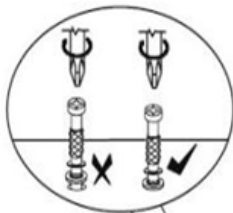
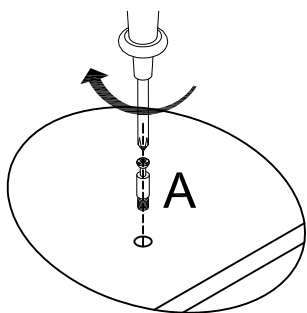
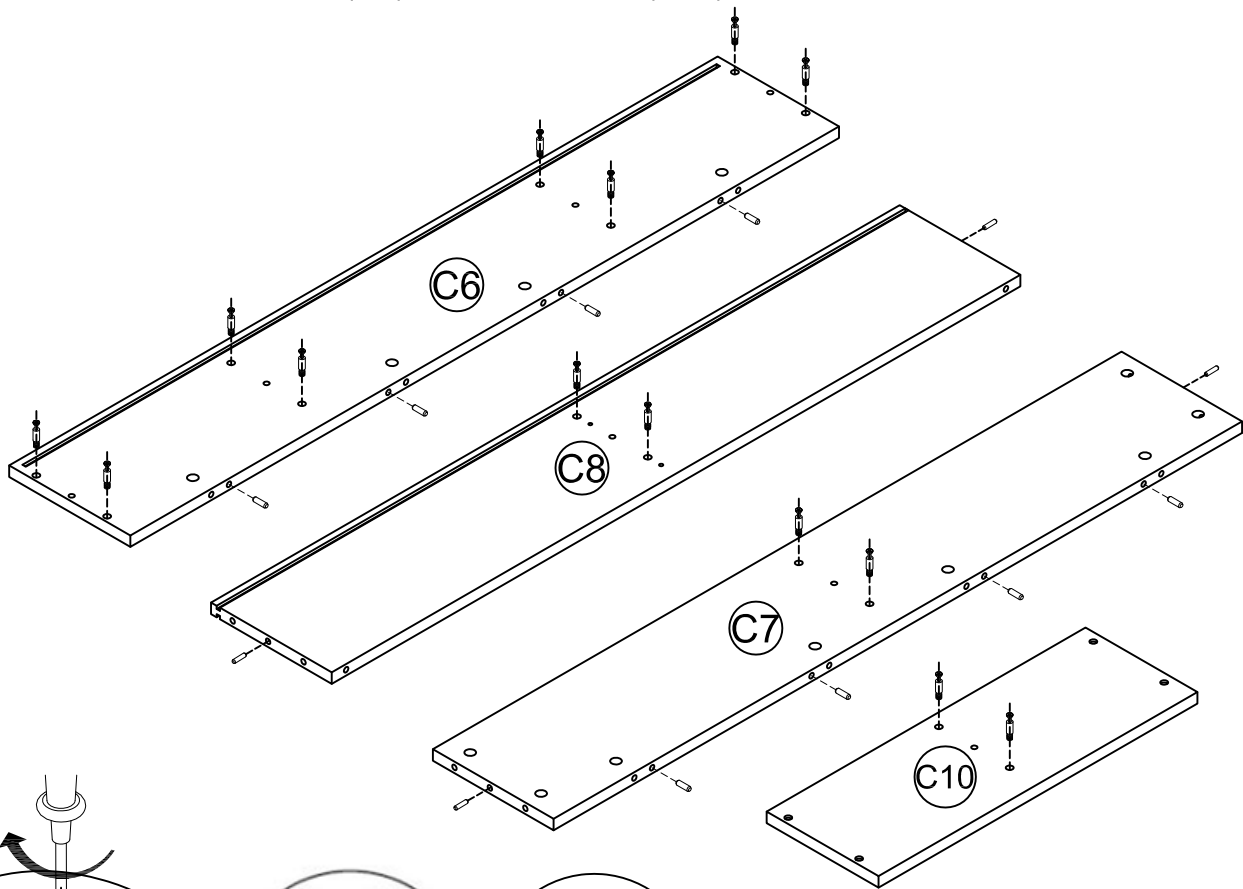
PARTS LIST



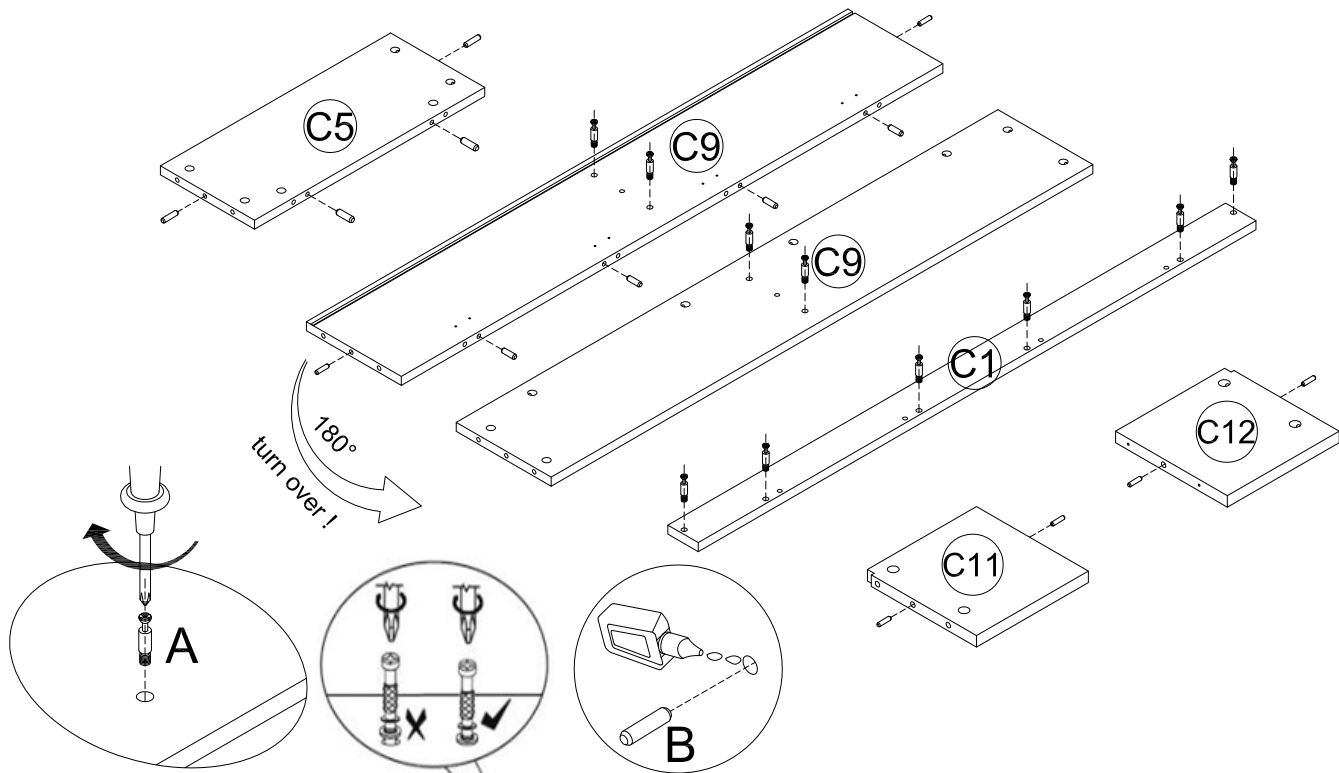
C1	Front Rail	C16	Back Panel
C2	Headboard Front Panel	C17	Left Front Panel
C3	Headboard Left Side Panel	C18	Right Front Panel
C4	Headboard Right Side Panel	C19a	Drawer Left Panel
C5	Middle Support Panel	C19b	Drawer Right Panel
C6	Headboard Top Panel	C20	Left Side Panel
C7	Headboard Bottom Panel	C21	Right Side Panel
C8	Shelf Panel	C22	Left Connect Panel
C9	Shelf Panel	C23	Right Connect Panel
C10	Shelf Panel	C24	Footboard Panel
C11	Support Panel	C25	Footboard Panel
C12	Support Panel	C26	Slats
C13	Support Panel	C27	Support Tube
C14	Support Panel	C28	Support Middle Leg
C15	Back Panel		

A. Cam lock and Cam pin Ø15X35	B. Dowel Ø8X30	C. Bolt M8x90	D. Bolt M8x85	E. Screw Ø3X18	F. Connector	G. Bolt M6x14
67PCS	66PCS	4PCS	6PCS	8PCS	8PCS	16PCS
H. Half Round Nuts M8	I. Hexagonal Nuts M8	J. Screw Ø3.5X16	K. Screw Ø3.5X30	L. Hex Key 5MM	M. Hex Key 4MM	N. Wrench M14
10PCS	10PCS	32PCS	12PCS	1PCE	1PCE	1PCE
O. Protect foam 20x14x5mm	P. Cover Ø38	Q. Hinge	R.	S.	T. Glue	U. Clip&Sticker
20PCS	10PCS	4PCS	2PCS	2PCS	1PCE	4PCS

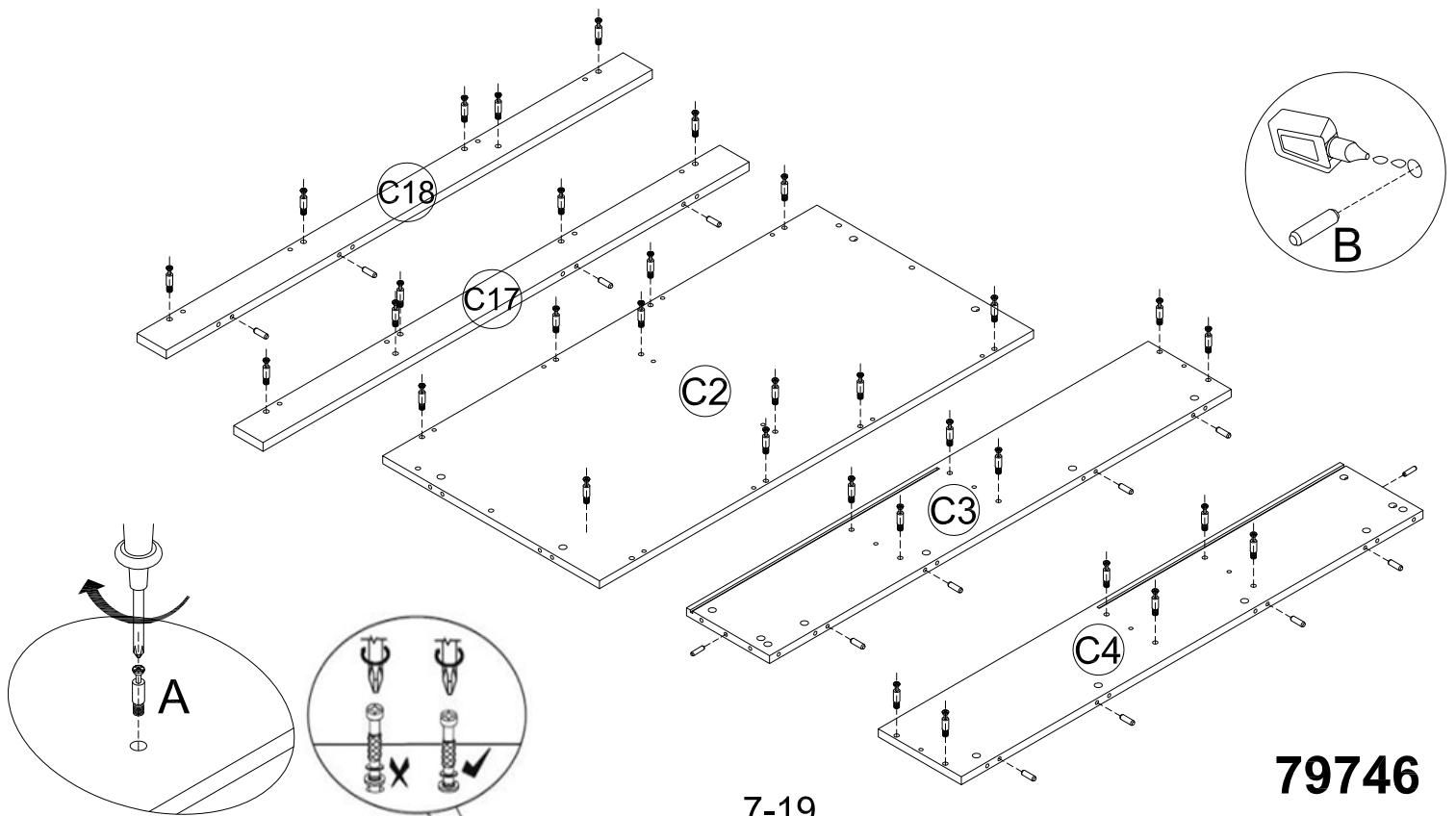
Step 1: Insert the Dowel(B) into the Top Panel(C6) and Headboard Bottom Panel(C7) and Shelf Panel(C8). Use Phillips Head Screw to insert the Cam Pin(A) to the Headboard Top Panel(C6) and the Headboard Bottom Panel(C7) and Shelf Panel(C8) and Shelf Panel(C10).



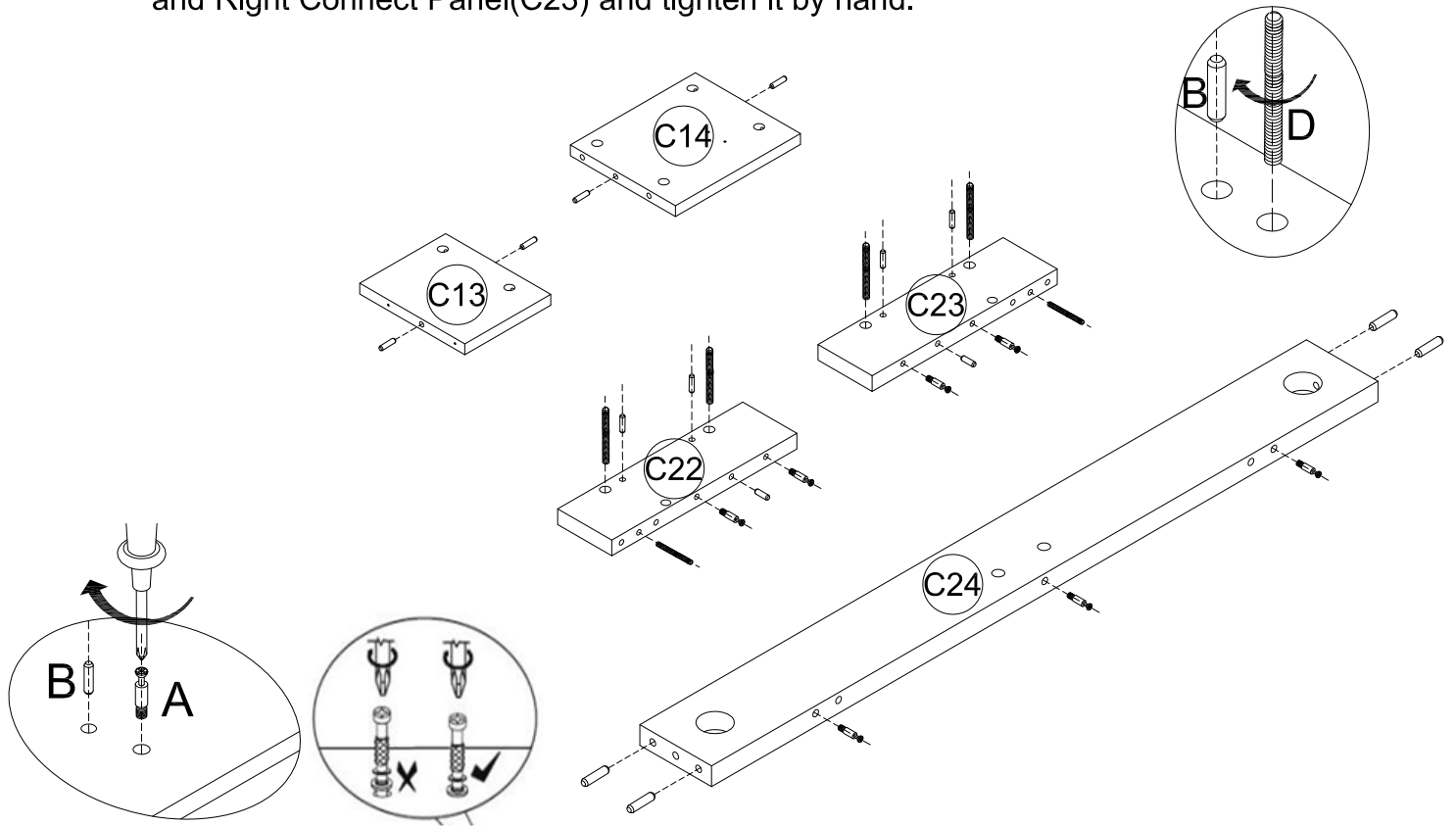
Step 2: Insert the Dowel(B) into the Middle Support Panel(C5) and Shelf Panel(C9) and Support Panel(C11/C12). Use Phillips Head Screw to insert the Cam Pin(A) to the Shelf Panel(C9) and the Front Rail(C1).



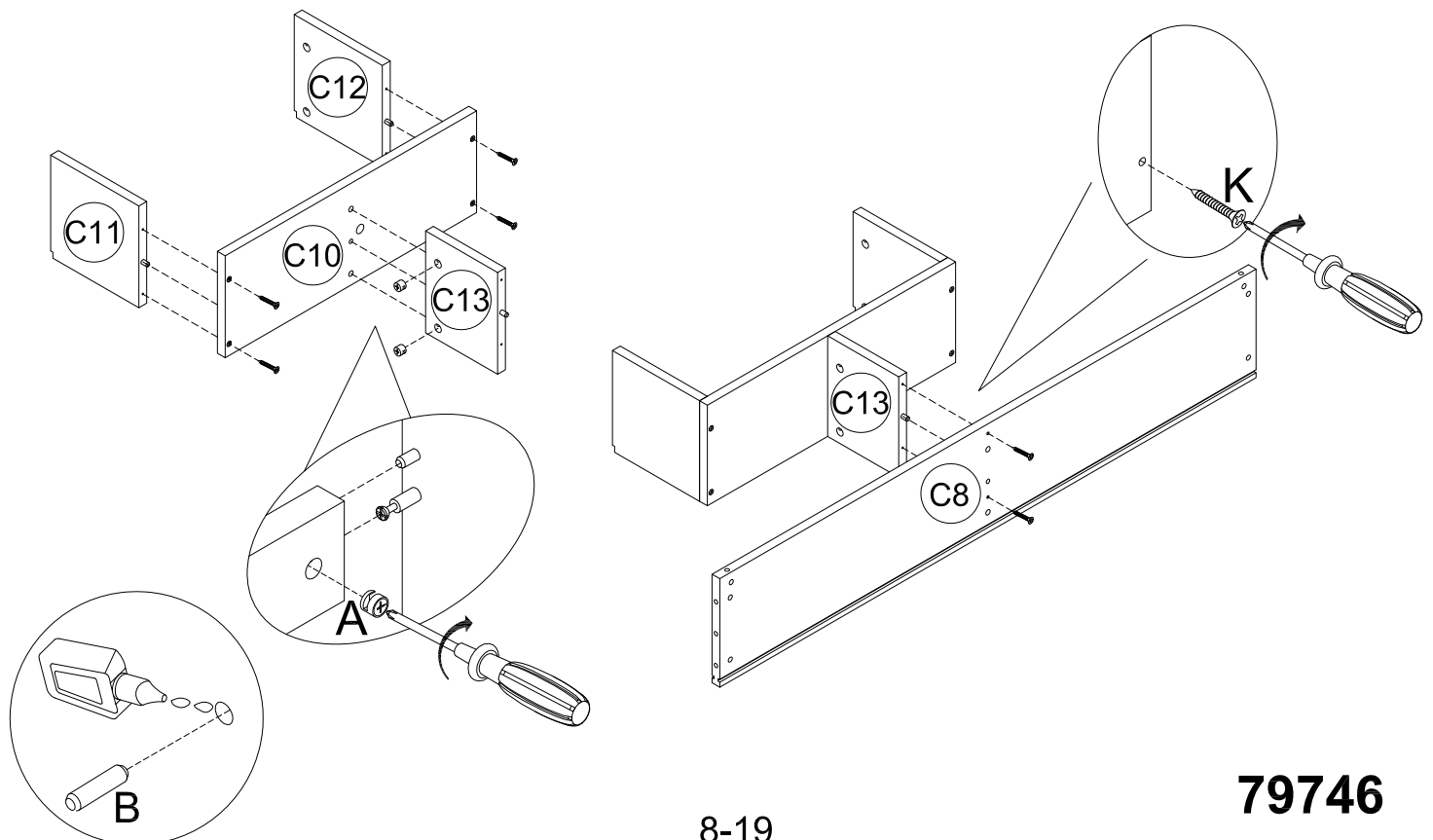
Step 3: Insert the Dowel(B) into the Headboard Left Side Panel(C3) and Headboard Right Side Panel(C4) and Left Front Panel(C17) and Right Front Panel(C18). Use Phillips Head Screw to insert the Cam Pin(A) to the Headboard Front Panel(C2) and Headboard Left Side Panel(C3) and Headboard Right Side Panel(C4) and Left Front Panel(C17) and Right Front Panel(C18).



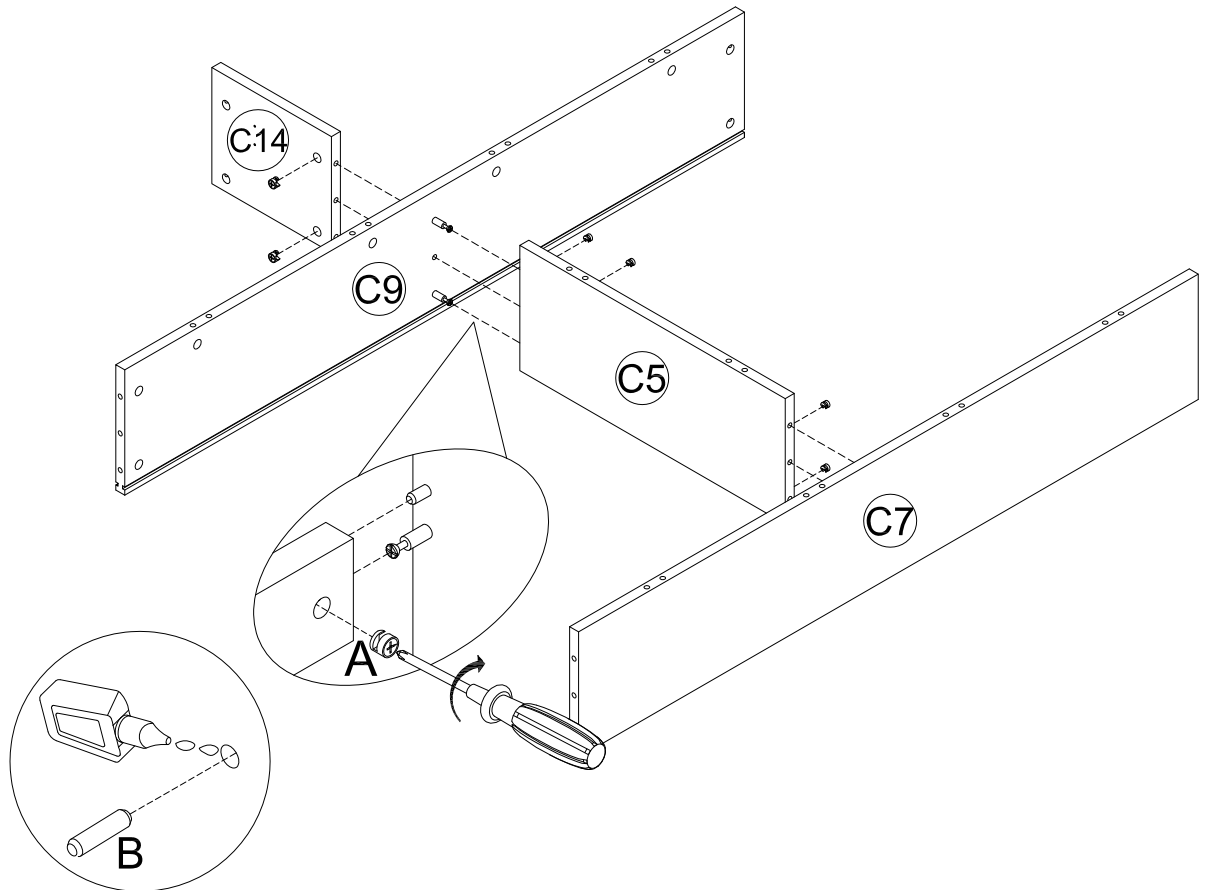
Step 4: Insert the Dowel(B) into the Support Panel(C13/C14) and Left Connect Panel(C22) and Right Connect Panel(C23) and Footboard Panel(C24). Use Phillips Head Screw to insert the Cam Pin(A) to the Left Connect Panel(C22) and Right Connect Panel(C23) and Footboard Panel(C24). And attach Bolt(D) to Left Connect Panel(C22) and Right Connect Panel(C23) and tighten it by hand.



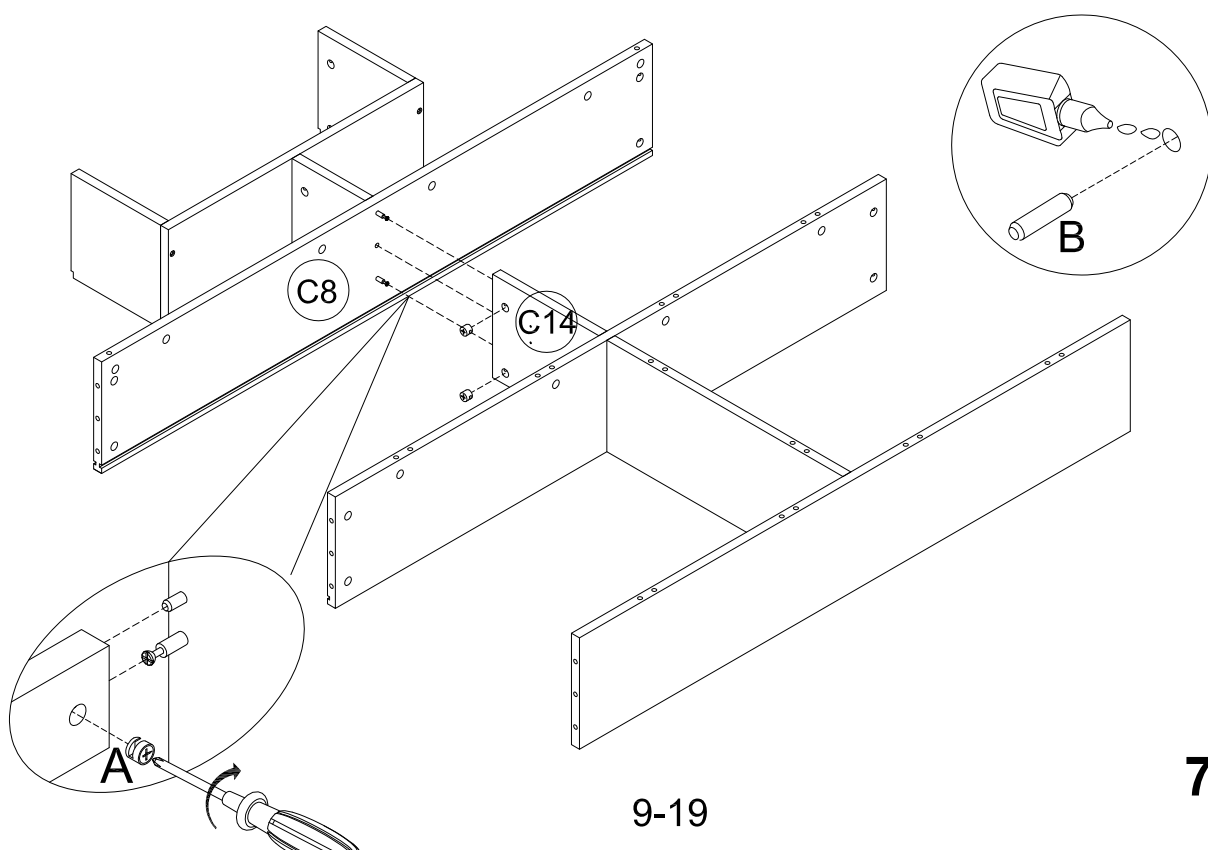
Step 5: Attach Support Panel(C11/C12) to the Shelf Panel(C10). Use a Phillips Head Screw to attach Support Panel(C13) to the Shelf Panel(C10) with Screw(K). And use a Phillips Head Screw to turn the Cam Lock(A) to lock into the head of the Cam Pin(A). Use a Phillips Head Screw to attach Shelf Panel(C8) to the Support Panel(C13) with Screw(K).



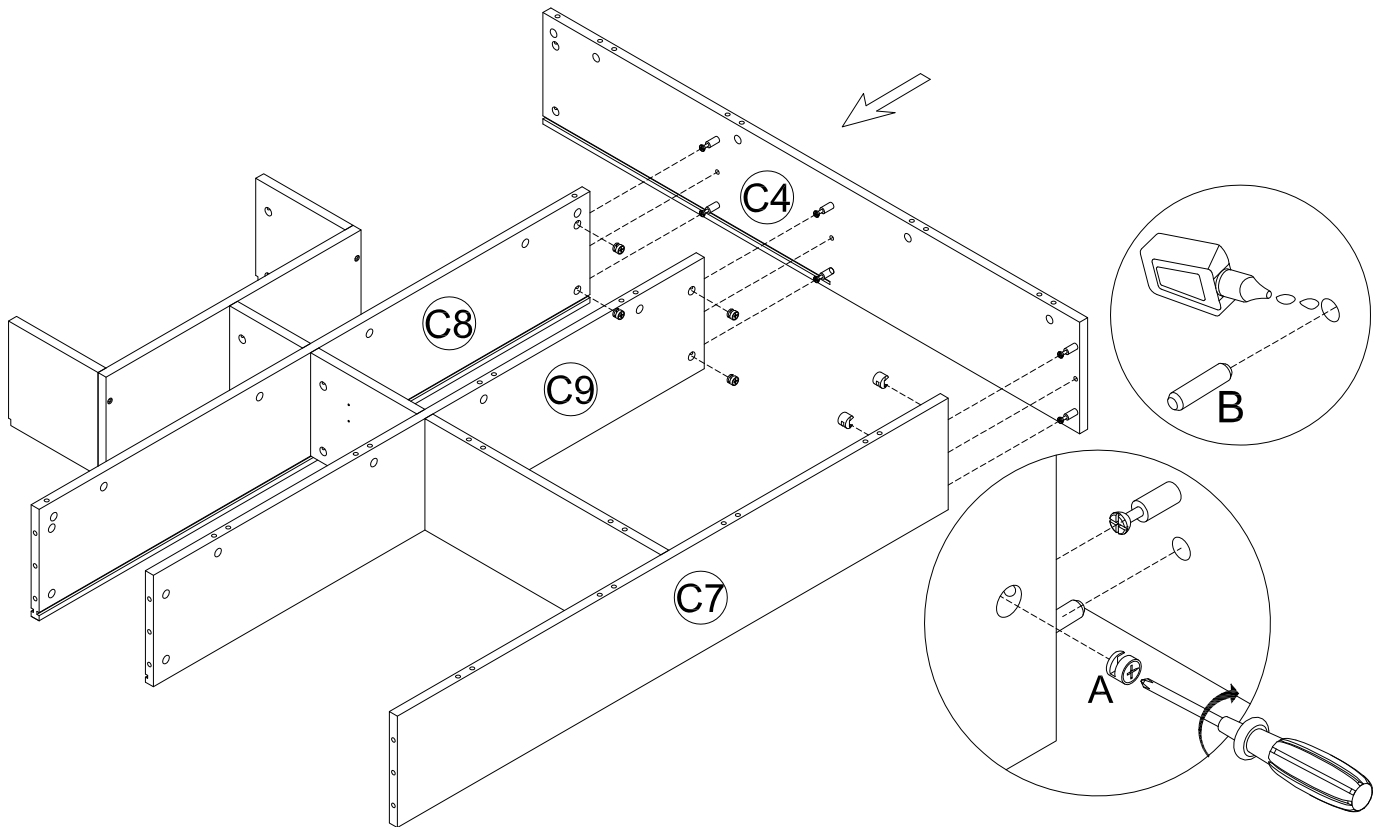
Step 6: Attach Support Panel(C14) and Middle Support Panel(C5) to the Shelf Panel(C9). And then attach Headboard Bottom Panel(C7) to the Support Panel(C5). Use a Phillips Head Screw to turn the Cam Lock(A) to lock into the head of the Cam Pin(A).



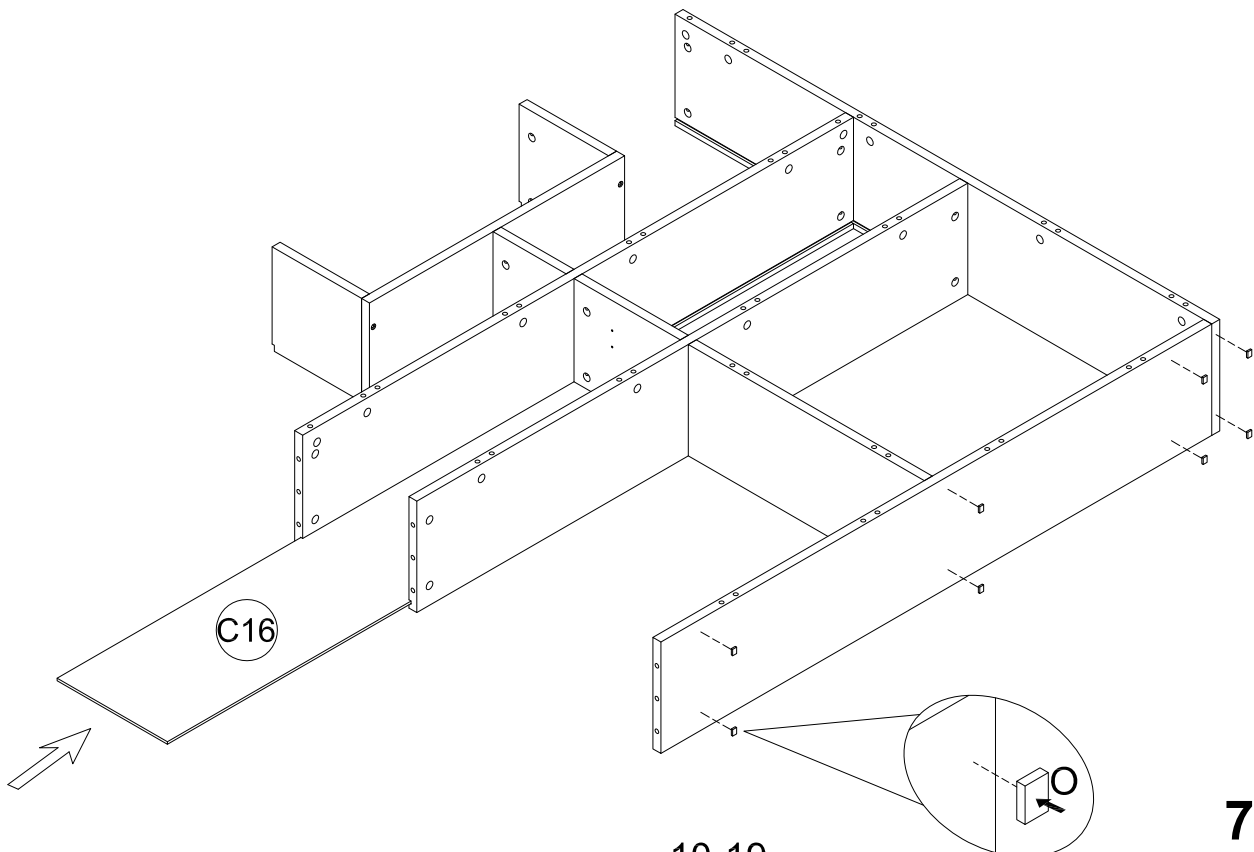
Step 7: Attach Shelf Panel(C8) to the Support Panel(C14). And use a Phillips Head Screw to turn the Cam Lock(A) to lock into the head of the Cam Pin(A).



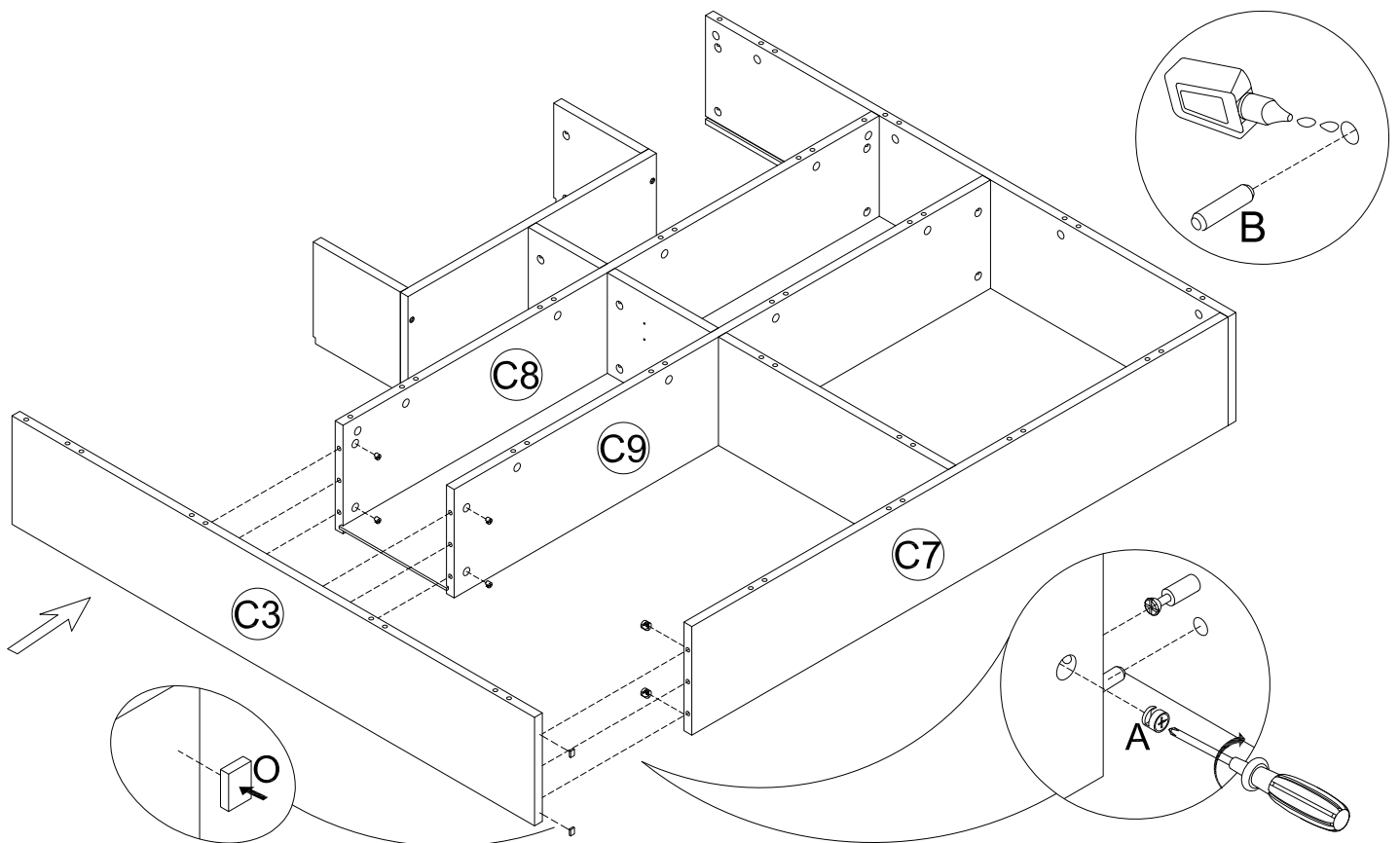
Step 8: Attach Headboard Right Side Panel(C4) to the Headboard Bottom Panel(C7) and Shelf Panel(C8/C9). And use a Phillips Head Screw to turn the Cam Lock(A) to lock into the head of the Cam Pin(A).



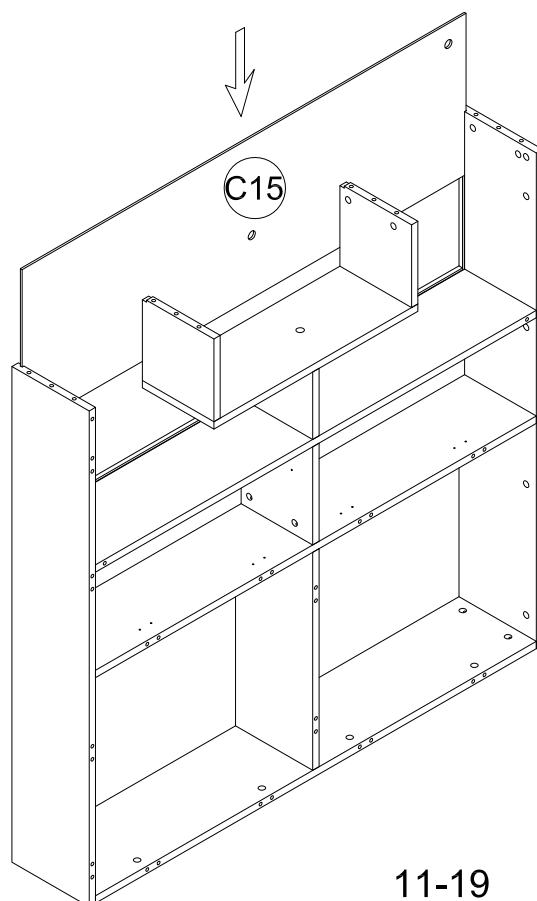
Step 9: Insert the Back Panel(C16) to the groove. And attach Protect Foam(O) to the Headboard Bottom Panel(C7).



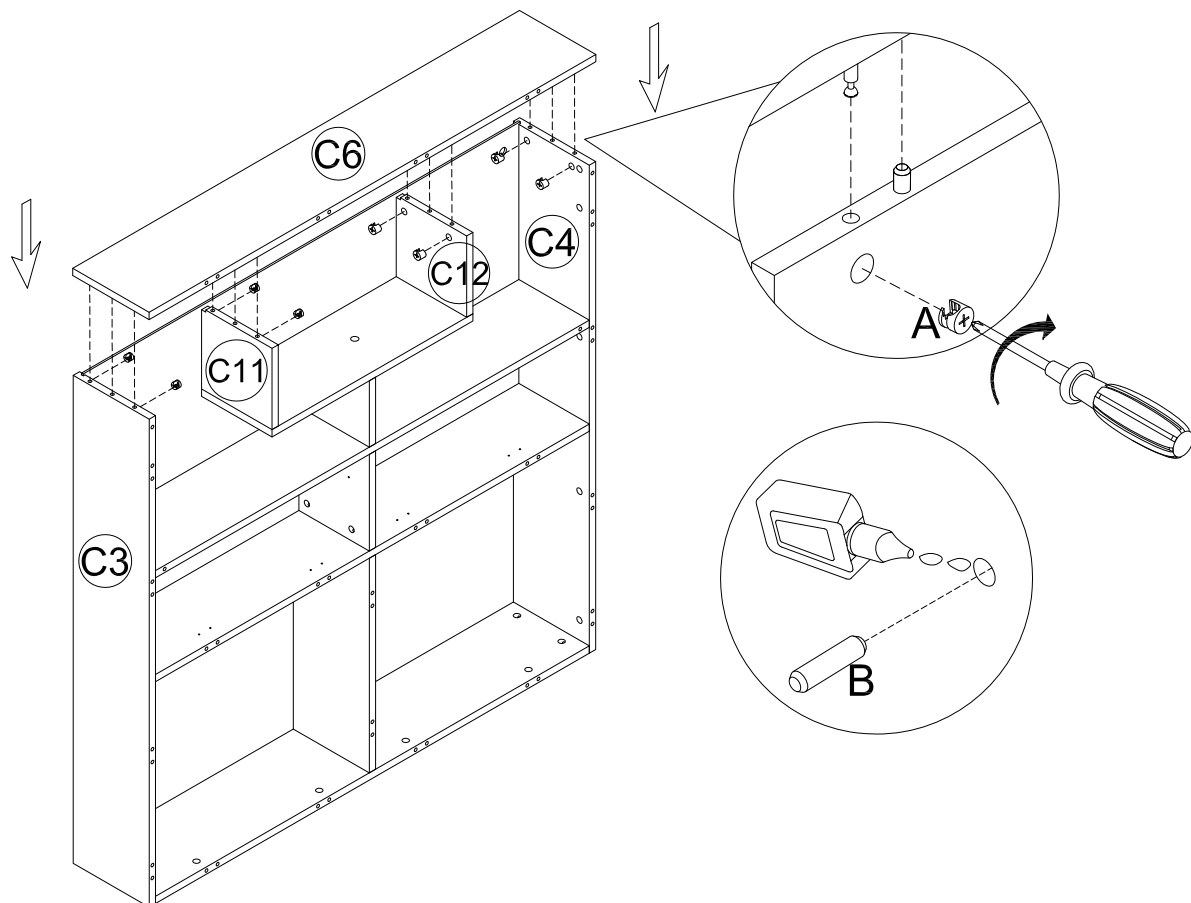
Step 10: Attach Headboard Left Side Panel(C3) to the Headboard Bottom Panel(C7) and Shelf Panel(C8/C9). And use a Phillips Head Screw to turn the Cam Lock(A) to lock into the head of the Cam Pin(A).



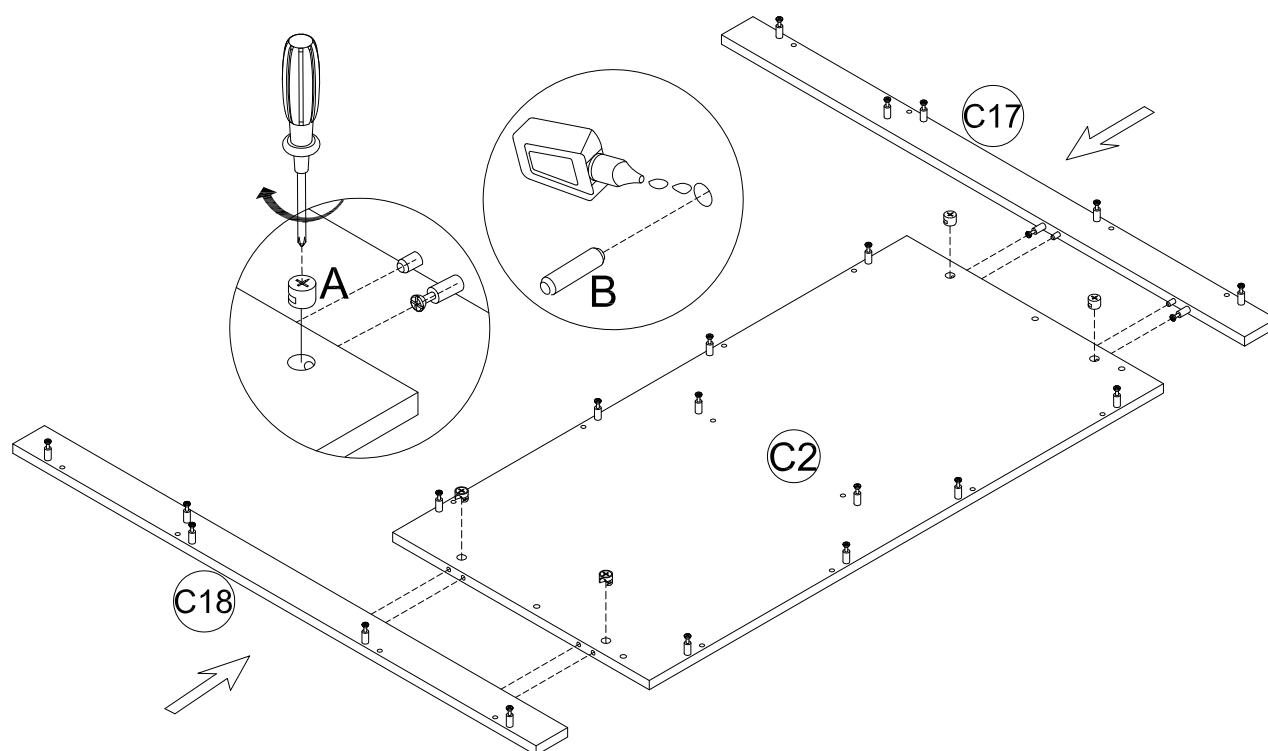
Step 11: Insert the Back Panel(C15) to the groove.



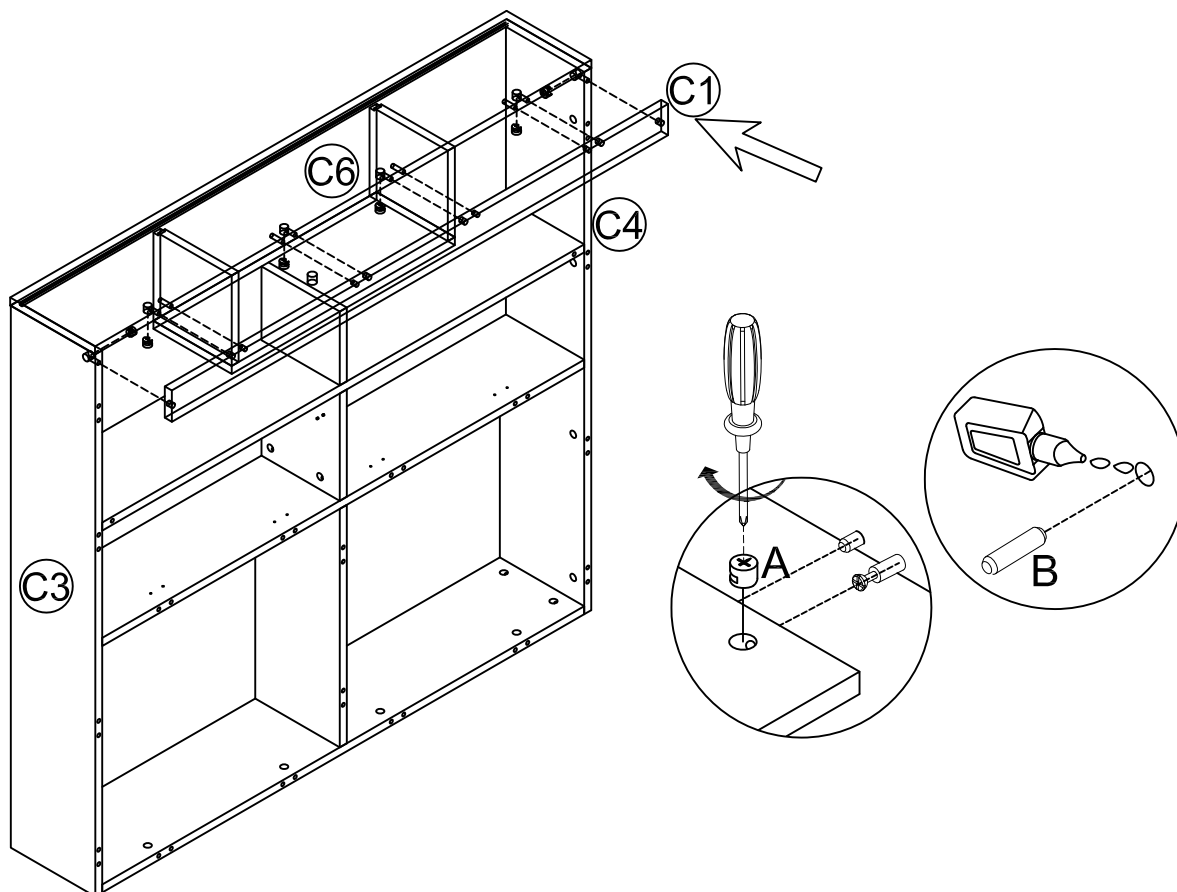
Step 12: Attach the Headboard Top Panel(C6) to the Headboard Left Side Panel(C3) and Headboard Right Side Panel(C4) and Support Panel(C11/C12). And use a Phillips Head Screw to turn the Cam Lock(A) to lock into the head of the Cam Pin(A).



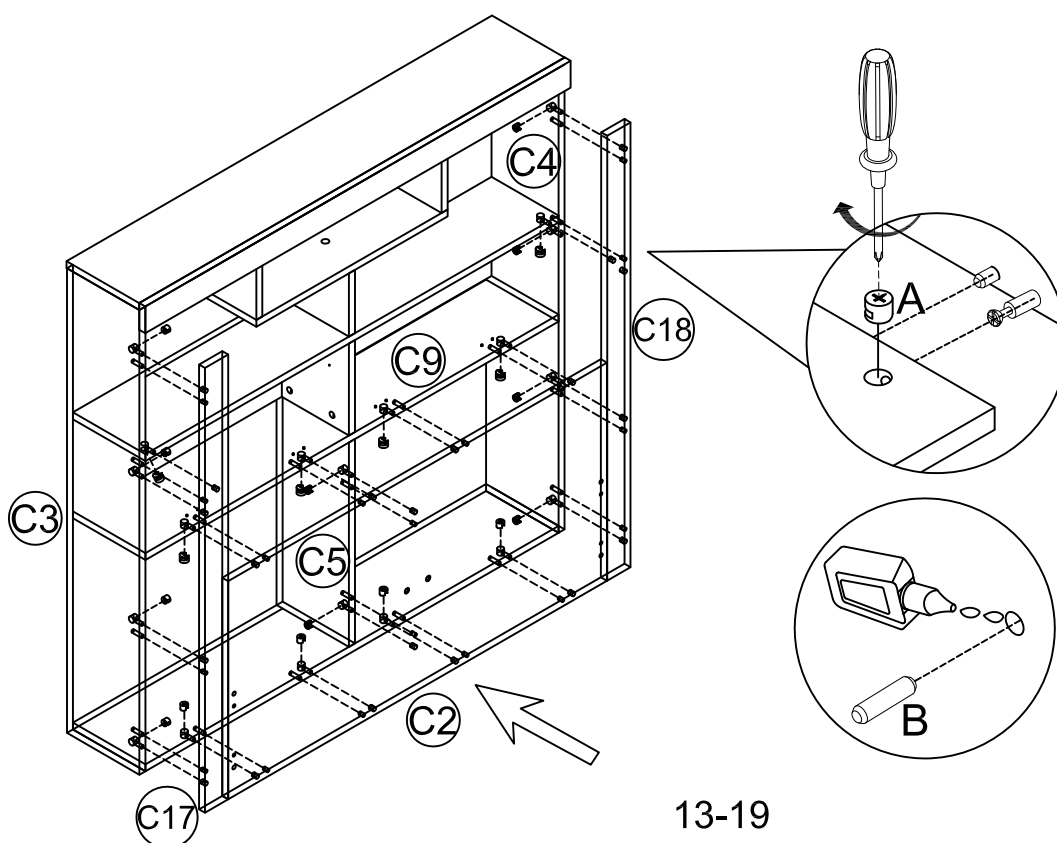
Step 13: Attach Left Front Panel(C17) and Right Front Panel(C18) to the Headboard Front Panel(C2). And use a Phillips Head Screw to turn the Cam Lock(A) to lock into the head of the Cam Pin(A).



Step 14: Attach Front Rail(C1) to the Headboard Left Side Panel(C3) and Headboard Right Side Panel(C4) and Support Panel(C11/C12).And use a Phillips Head Screw to turn the Cam Lock(A) to lock into the head of the Cam Pin(A).

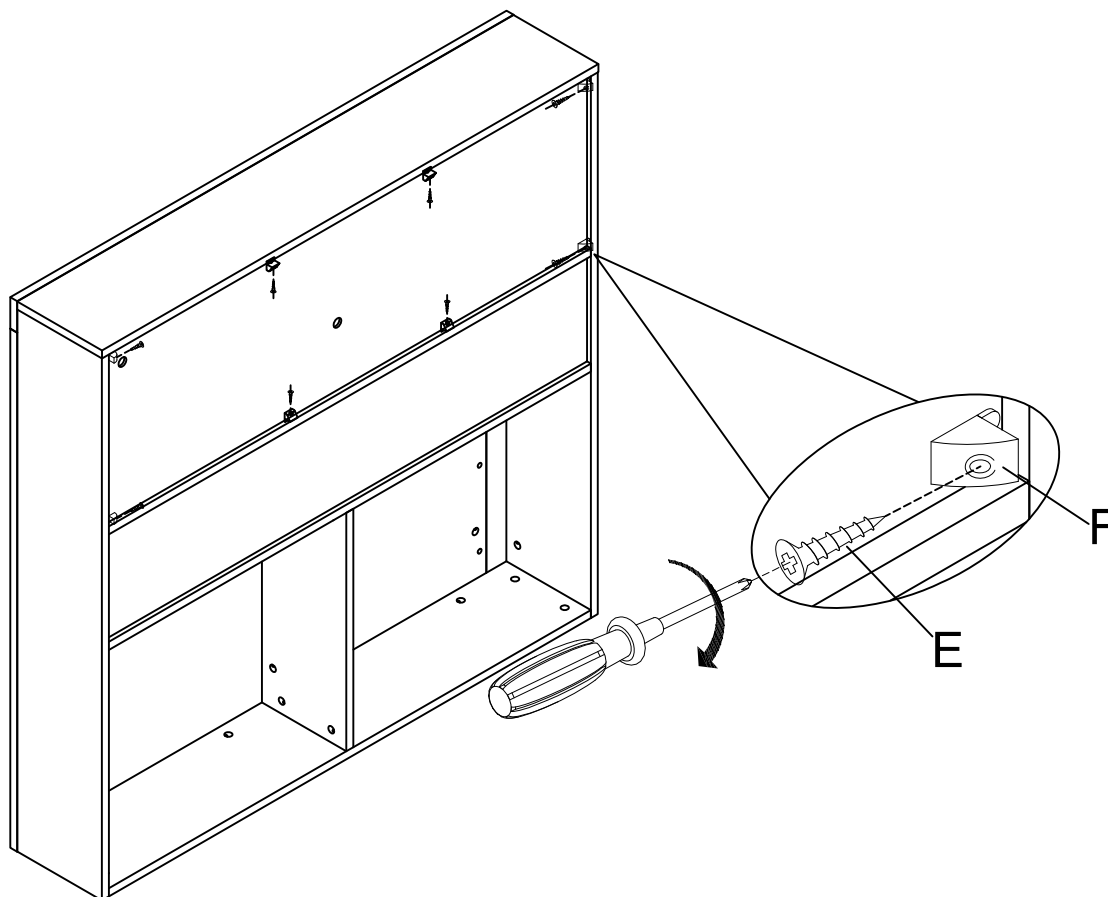


Step 15: Attach Left Front Panel(C17) and Right Front Panel(C18) and Headboard Front Panel(C2) to the Headboard Left Side Panel(C3) and Headboard Right Side Panel(C4) and Shelf Panel(C8/C9).And use a Phillips Head Screw to turn the Cam Lock(A) to lock into the head of the Cam Pin(A).

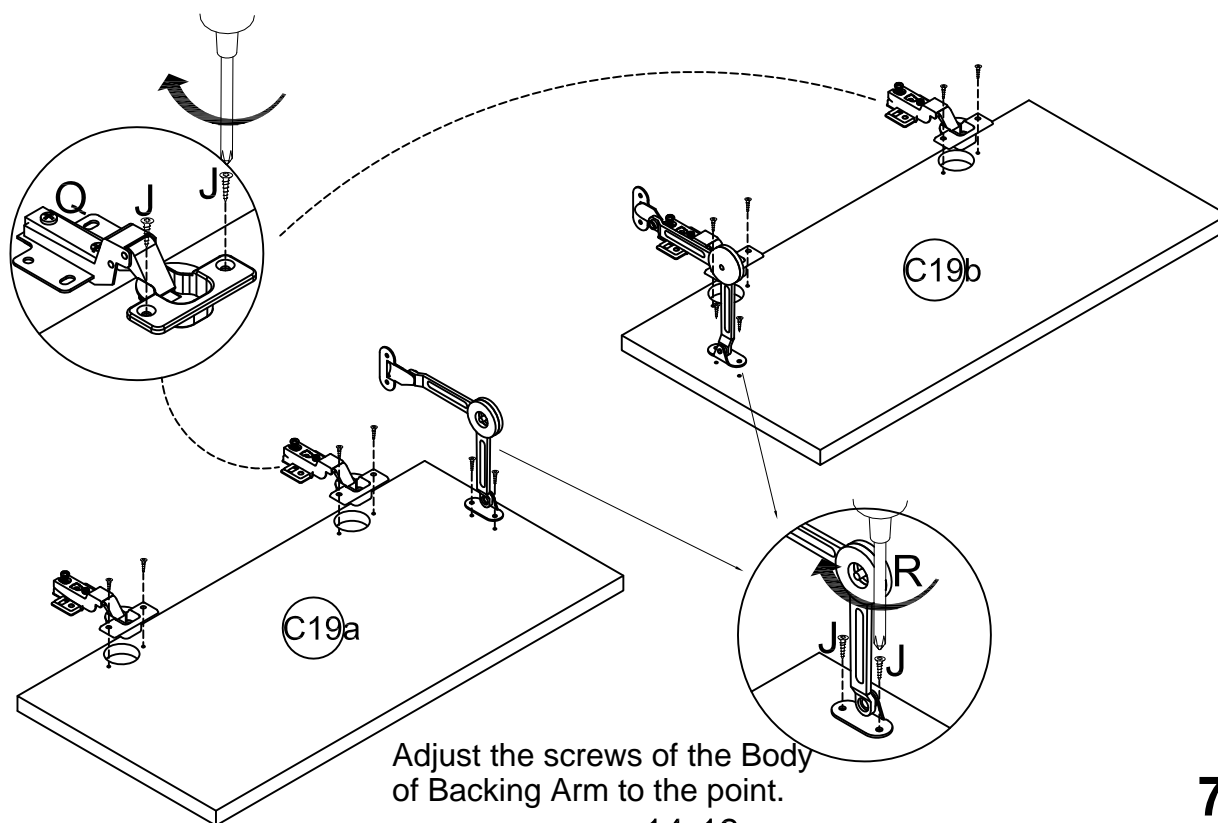


79746

Step 16: Use a Phillips Head Screw to attach the Connector(F) to the back corner with Screw(E).



Step 17: Use a Phillips Head Screw to attach Hinge(Q/R) to the Drawer Right Panel(C19b) and Drawer Left Panel (C19a) by Screw(J).

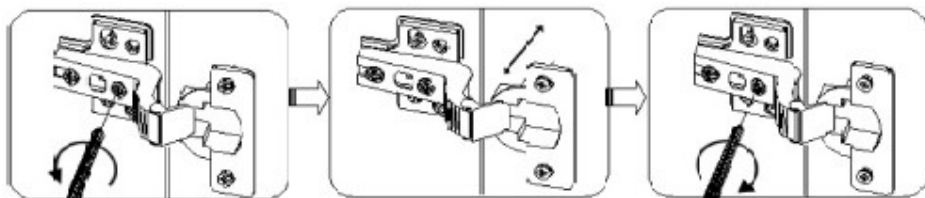
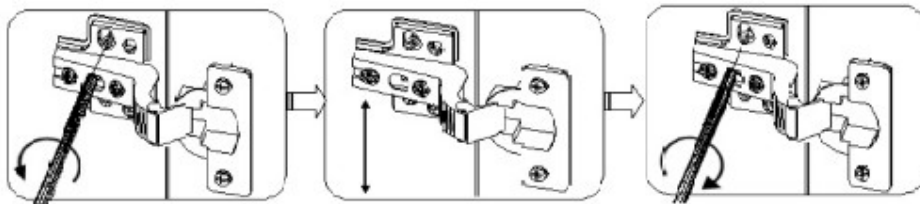
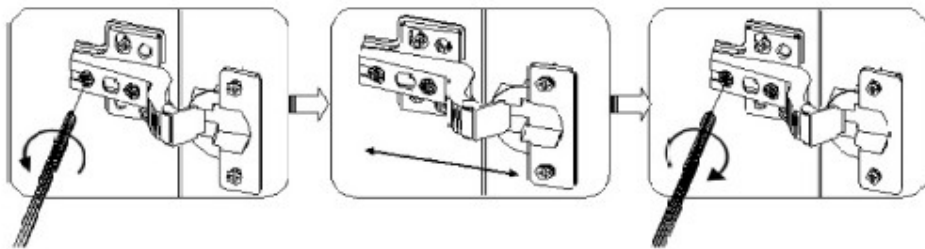
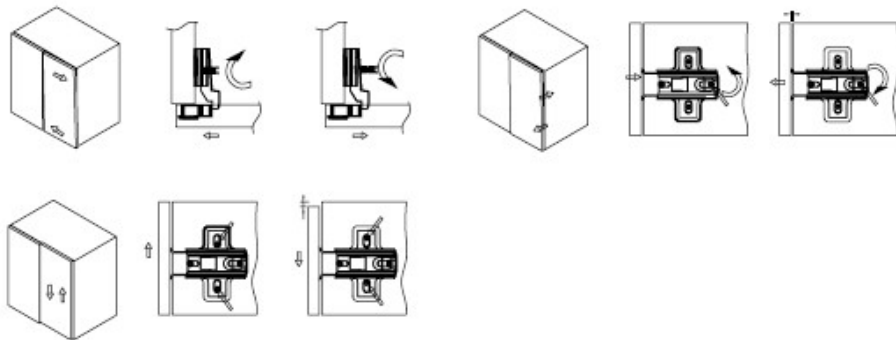
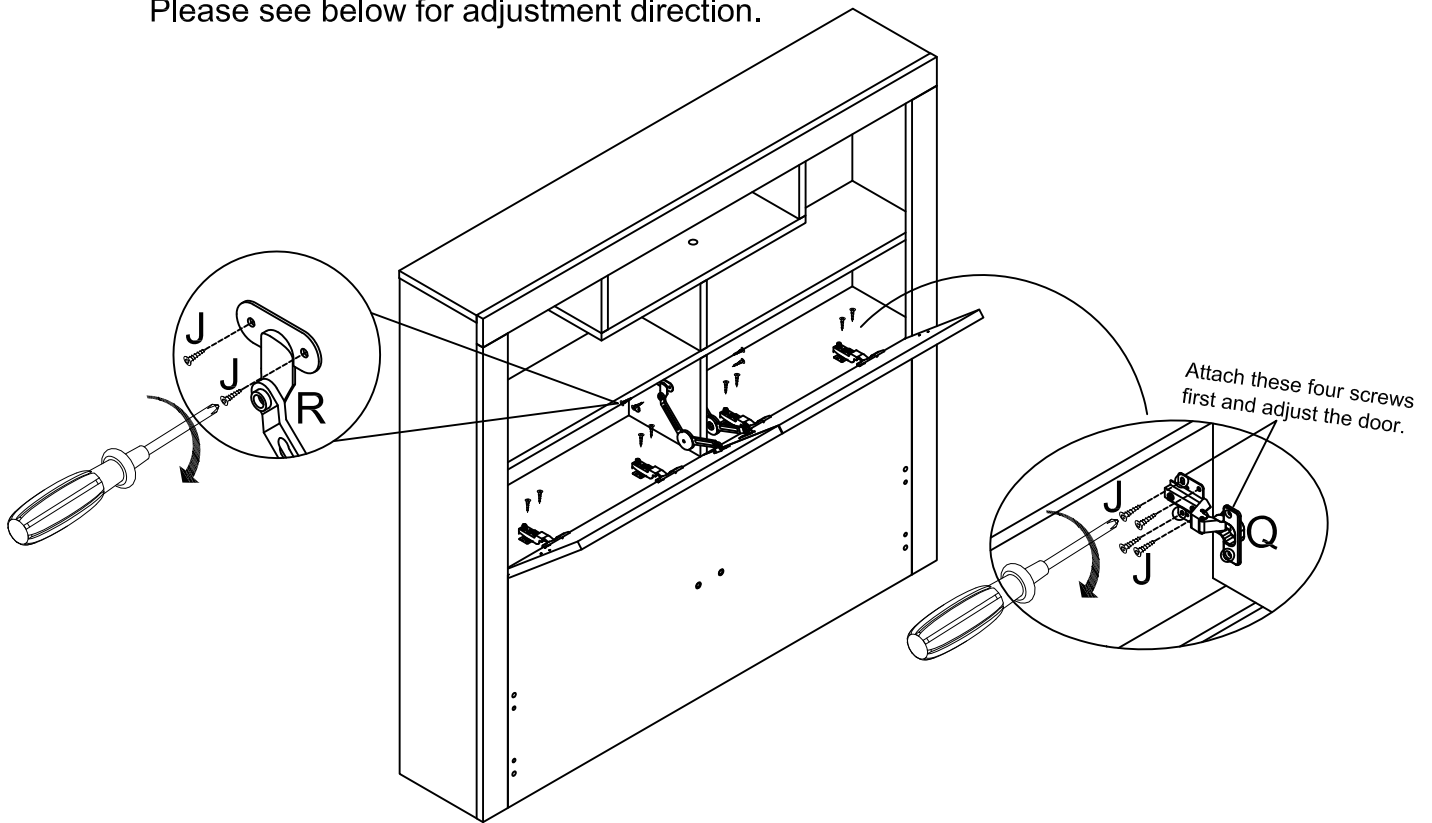


Adjust the screws of the Body of Backing Arm to the point.

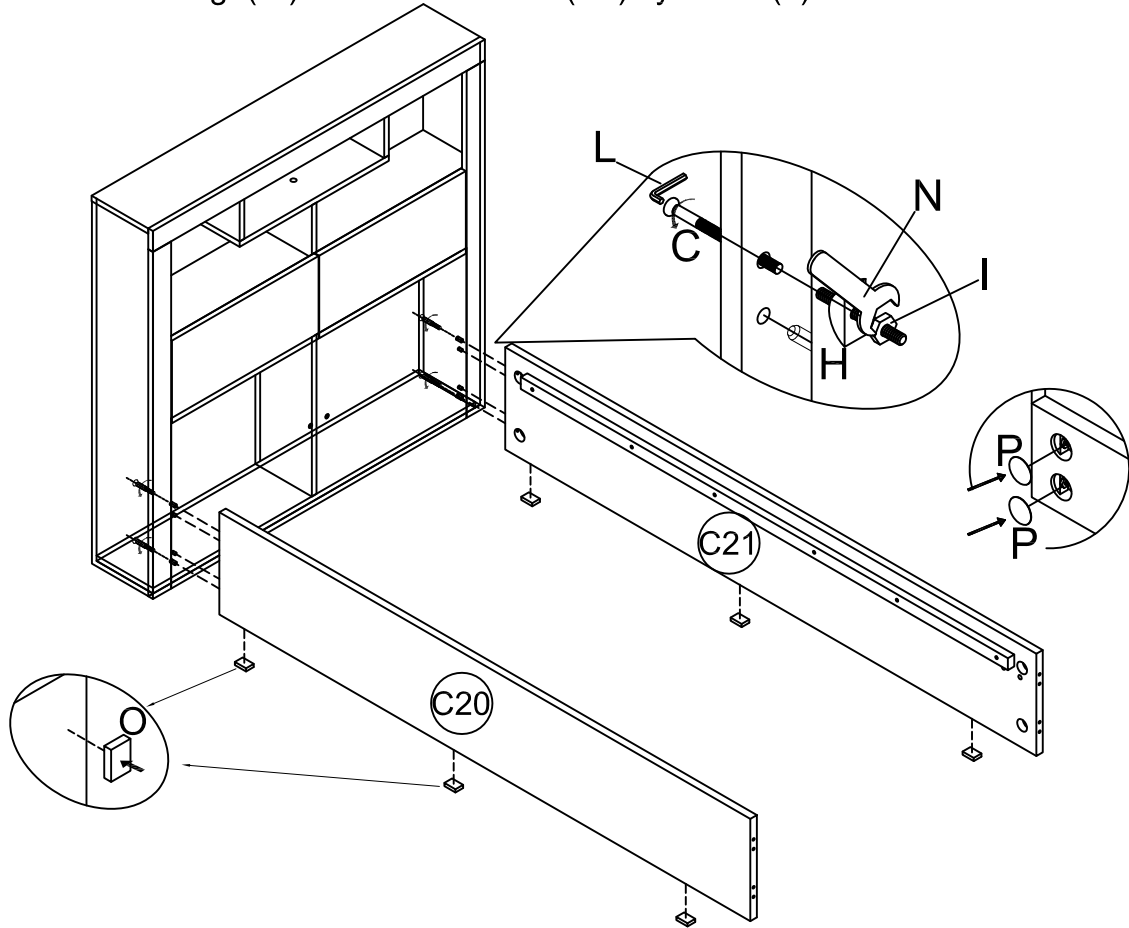
14-19

79746

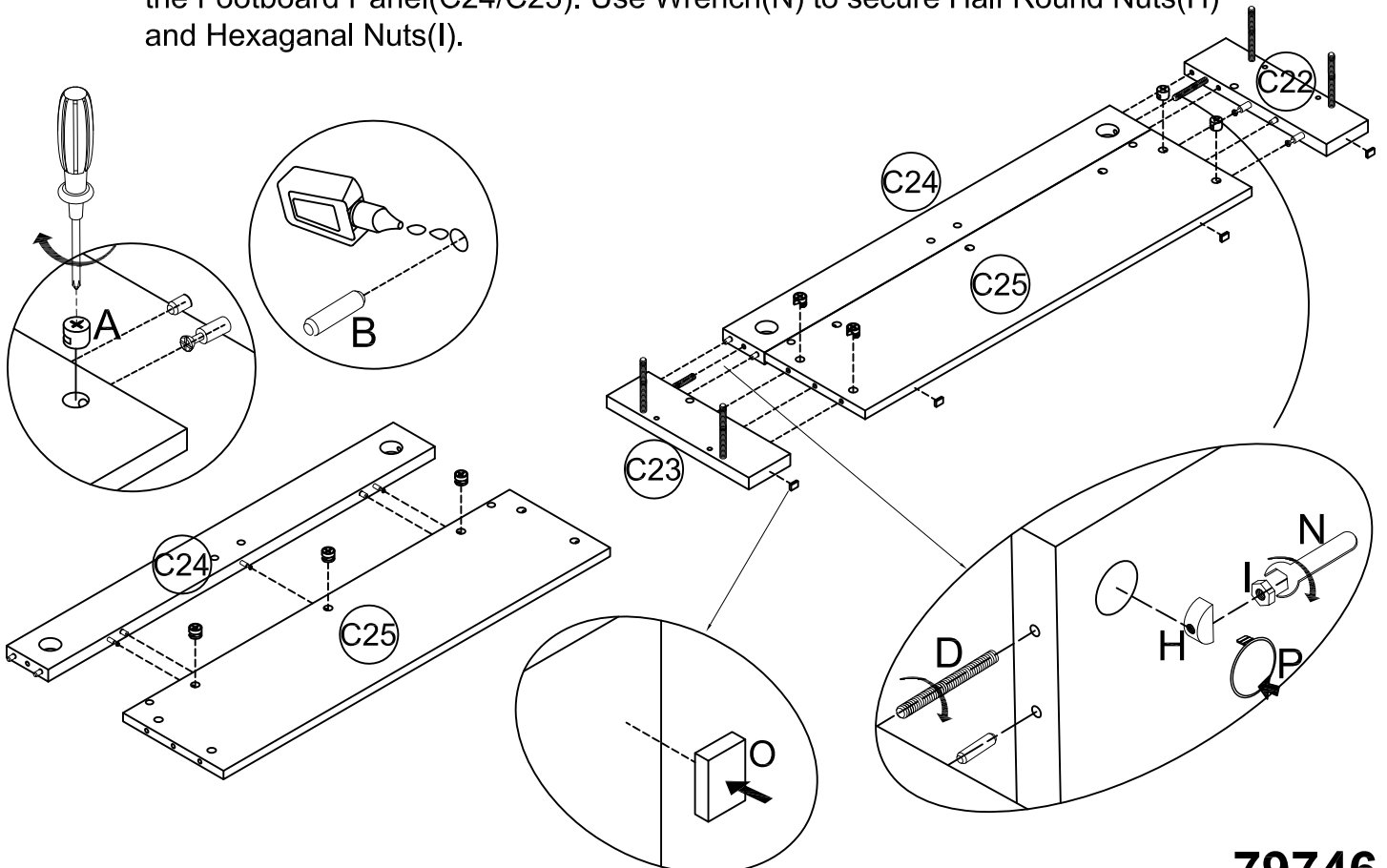
Step 18: Use a Phillips Head Screw Driver to attach hinge (R) to the shelf panel(C9).
Adjust and level door panels first before attaching hinge (R).
Please see below for adjustment direction.



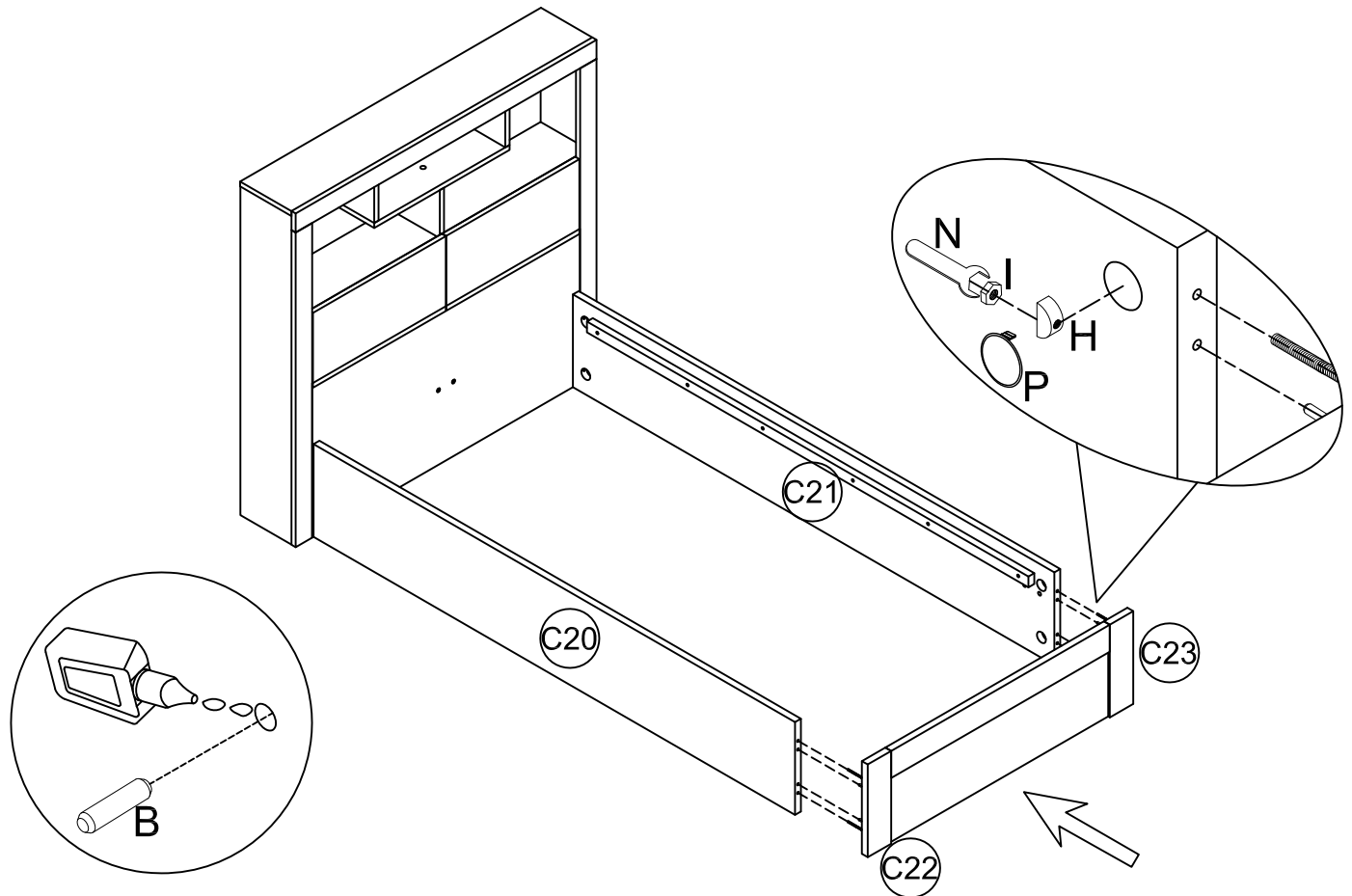
Step 19: Use a Phillips Head Screw to attach Hinge(X) to Support Panel(C14) and attach Hinge(W) to the Shelf Panel(C9) by Screw(L).



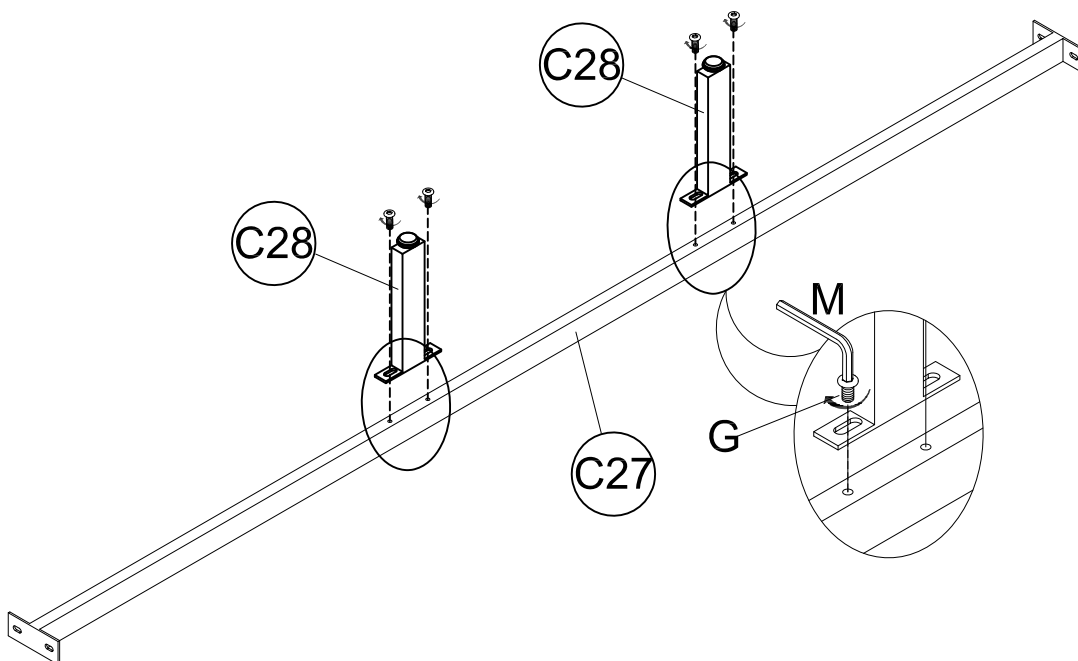
Step 20: Attach the Footboard Panel(C24) to the Footboard Panel(C25). And use a Phillips Head Screw to turn the Cam Lock(A) to lock into the head of the Cam Pin(A). Attach Left Connect Panel(C22) and Right Connect Panel(C23) to the Footboard Panel(C24/C25). Use Wrench(N) to secure Half Round Nuts(H) and Hexagonal Nuts(I).



Step 21: Attach Left Connect Panel(C22) and Right Connect Panel(C23) to the Left Side Panel(C20) and the Right Side Panel(C21).Use Wrench(N) to secure Half Round Nuts(H) and Hexagonal Nuts(I).Attach Cover(P) to the Left Side Panel(C20) and the Right Side Panel(C21).

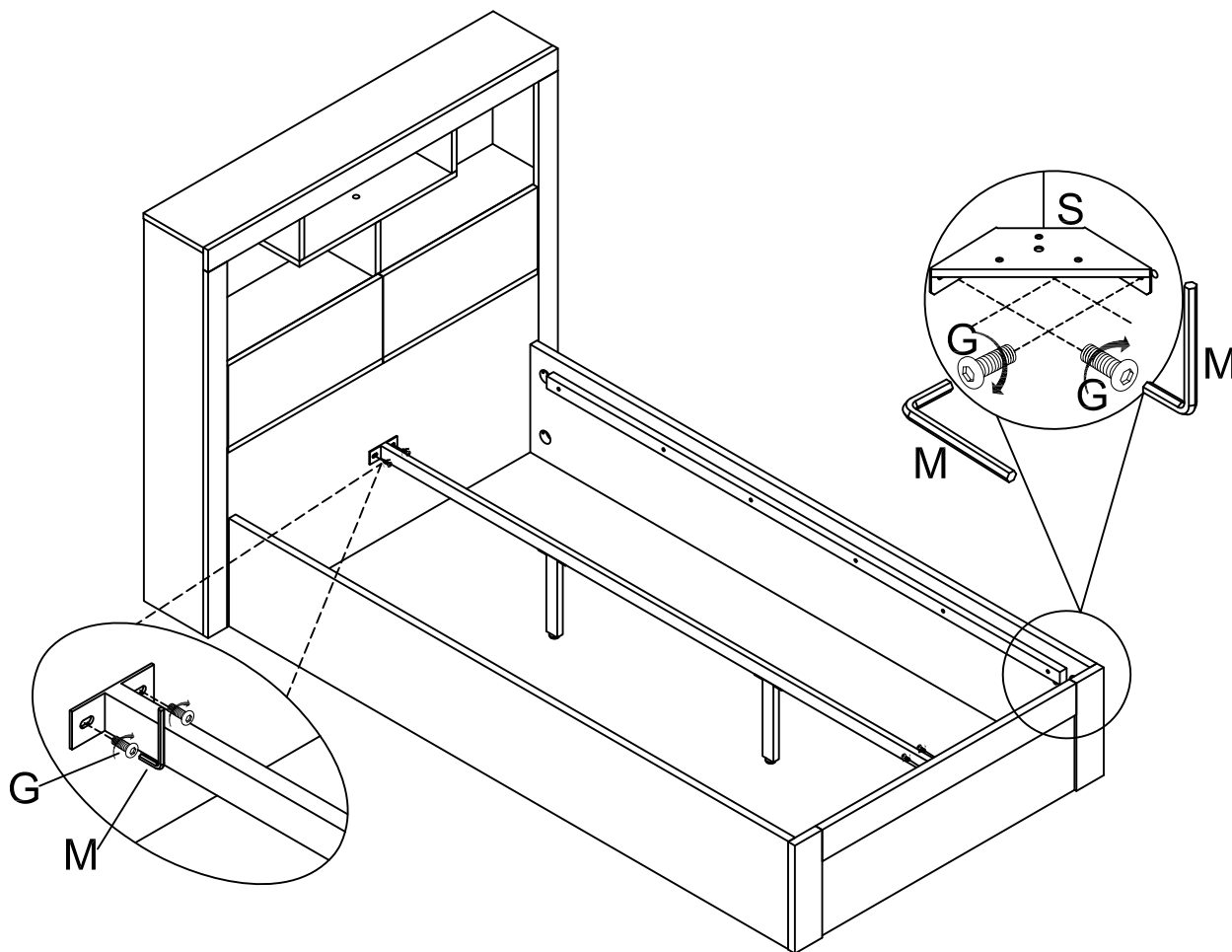


Step 22: Use Hex Key(M) to attach Support Middle Leg(C28) to the Support Tube(C27) with Bolt(G).

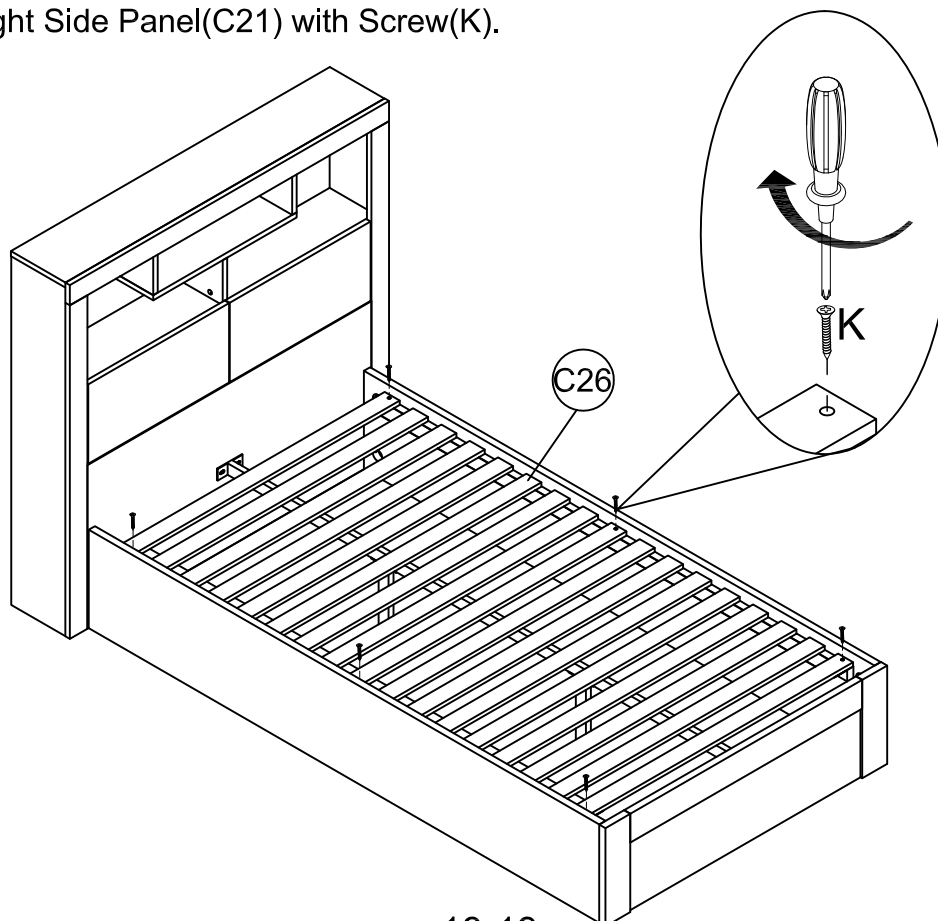


79746

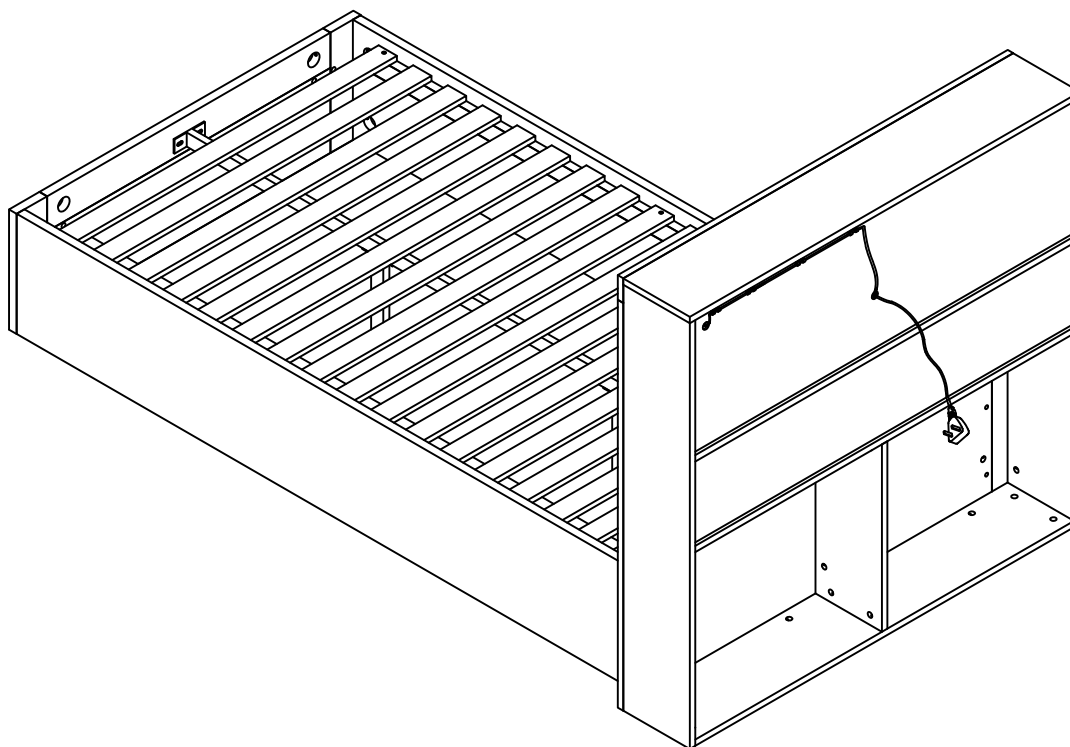
Step 23: Use Hex Key(M) to attach Support Tube(C27) to the Footboard Panel(C24) and Headboard Front Panel(C2) with Bolt(G). Use a phillips Head Screw to attach the Connect(S) to the Bedframe corner with Bolt(G).



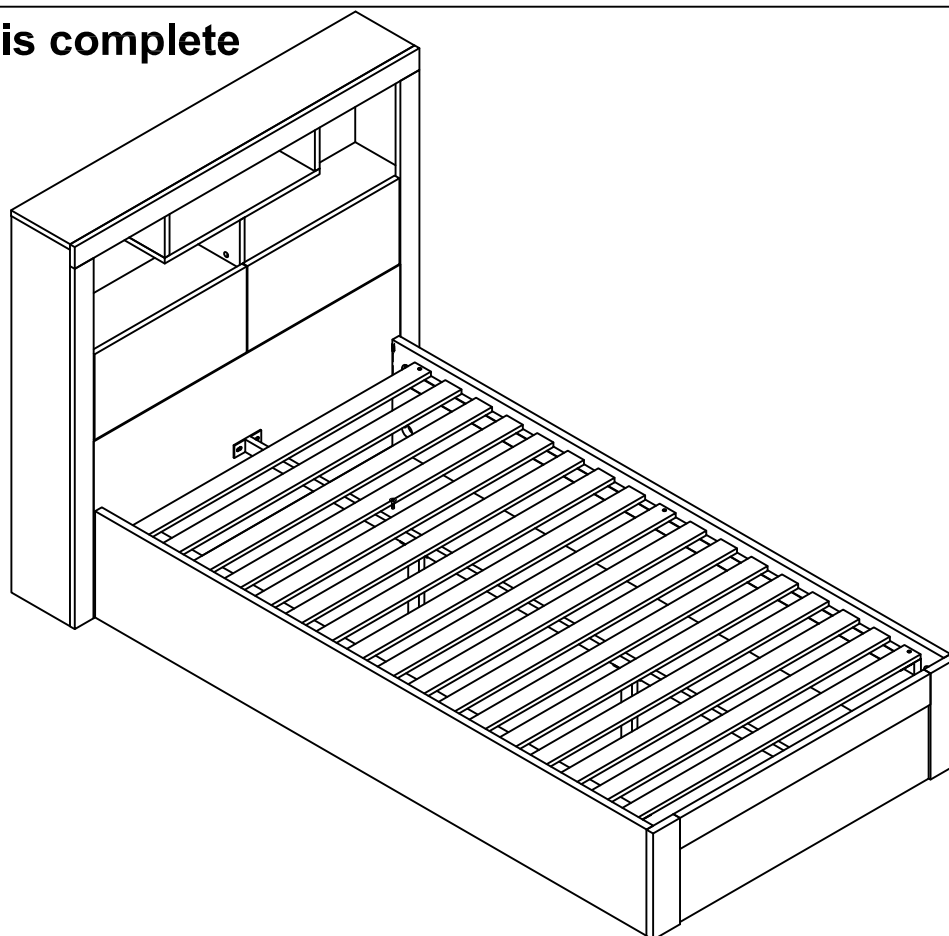
Step 24: Use a Phillips Head Screw to attach SLats(C26) to the Left Side Panel(C20) and the Right Side Panel(C21) with Screw(K).



Step 25: Put the sticker(U) into the clips first. And then put the clip(U) into the Back panel(C15).



Assembly is complete



IMPORTANT NOTE:

Once the bed is positioned and the support legs are adjusted to touch floor , the slats can then be laid down and secured before putting on the mattress. DO NOT push or pull the bed if there is a need for re-positioning as this may result in broken support legs for the centre rail.

79746

IMPORTANT: CARE GUIDE FOR YOUR HI-GLOSS FURNITURE

Congratulations! You have just purchased a quality product from Amart Furniture, Australia's largest discount furniture retail store. Please read on for important information regarding your purchase ...

Hi-gloss lacquered furniture is more sensitive to marks and scratching than some other furniture products. It is important to exercise caution and care to maximise the life and beauty of this product.

Following the below simple guidelines when using your hi-gloss product will protect your investment for years to come:

- Dust frequently with a clean damp, lint-free cloth. This will help remove abrasive build up which can damage a finish over time.
- Avoid using chemicals or solvents when cleaning the product.
- Do not place hot objects on any furniture surface. Always use a hot plate or placemat. Lacquer finishes provide added scratch and heat resistance to our furniture, but they can still be damaged without proper care.
- Avoid exposing your furniture to strong sunlight. Prolonged exposure to direct sunlight can fade the finish of your furniture.
- Do not expose your furniture to any liquids. Avoid allowing water to sit on your furniture. Alcohol, nail polish and perfume are particularly harmful as they will dissolve the lacquer finish on contact.
- Do not allow plastic to come in direct contact with your furniture. Chemicals in the plastic of some placemats etc may soften and mark the finish if left in contact with the furniture for a period of time.
- Avoid placing sharp or rough objects on the surface of your furniture. These may scratch the surface of the product.
- When moving your furniture, do not drag it across the floor. This may damage the product. Instead use two people to lift carefully with caution from either end.

