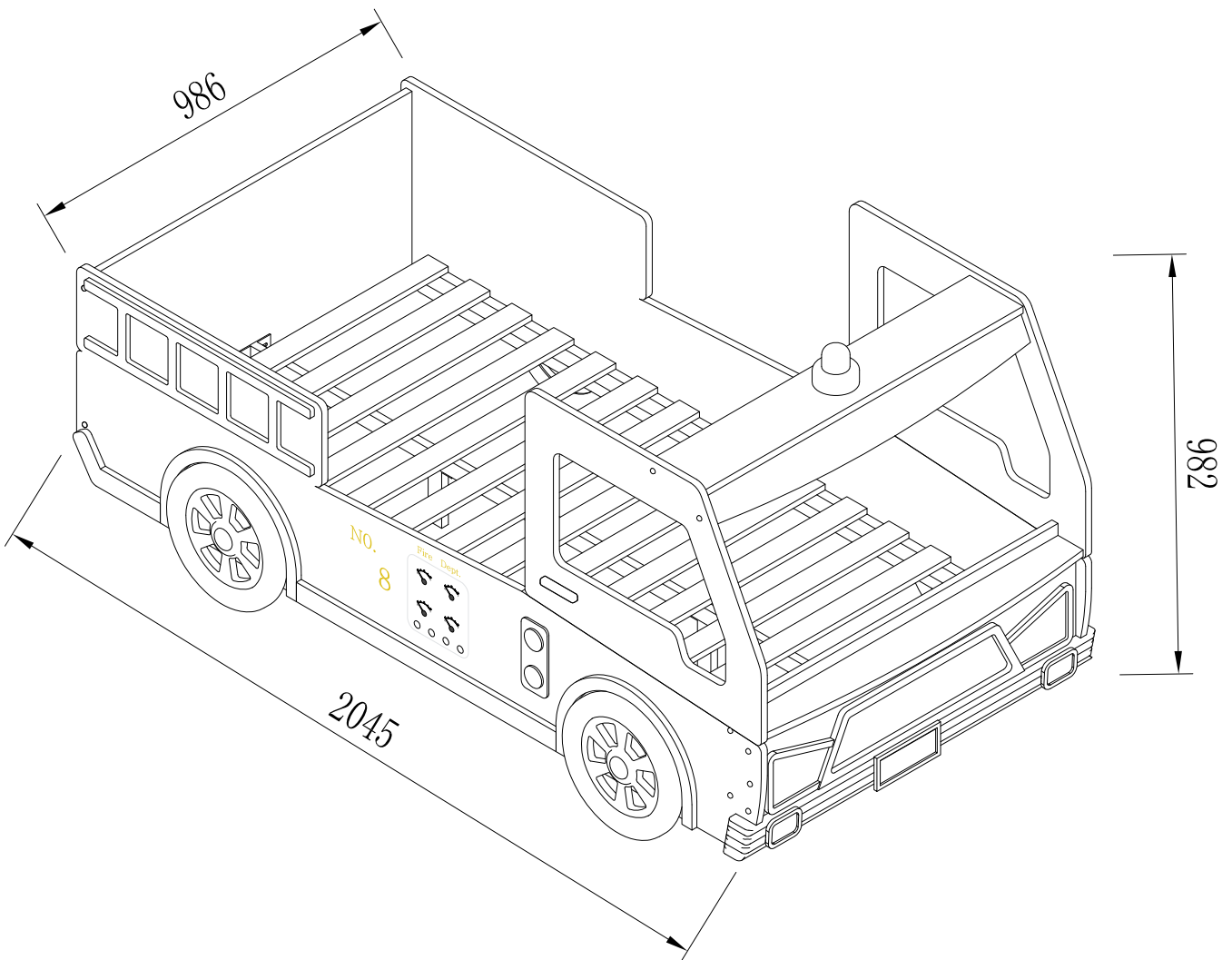




**ASSEMBLY INSTRUCTION**  
**FREDDY FIRE ENGINE SINGLE BED**  
**ITEM CODE 58493**

Imported by Amart Furniture Pty Ltd.Qld.Brisbane Australia.  
For any assistance with assembly or for missing parts please phone  
Amart Furniture, Customer Service Free call 1800 351 084

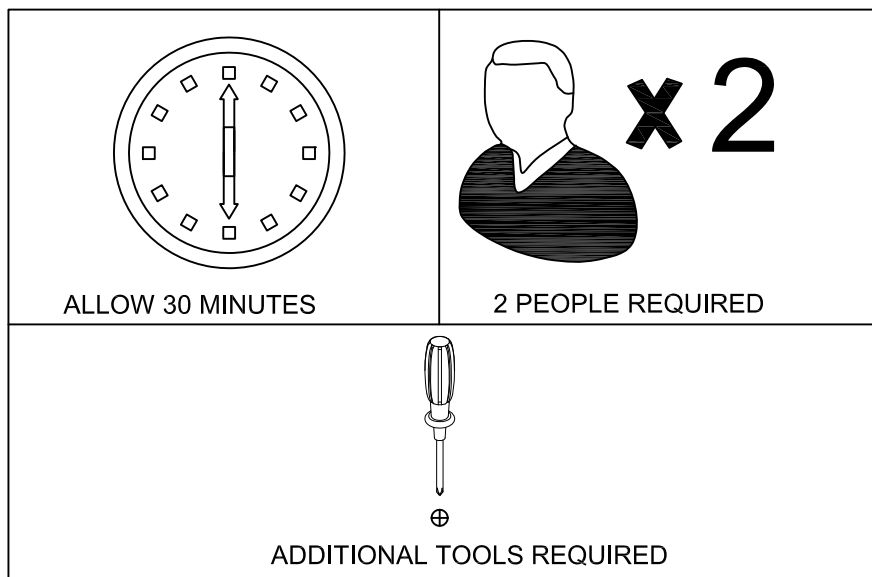


Imported by Amart Furniture Pty Ltd.Qld.Brisbane Australia.  
For any assistance with assembly or for missing parts please phone Amart Furniture,  
Customer Service Free call 1800 351 084

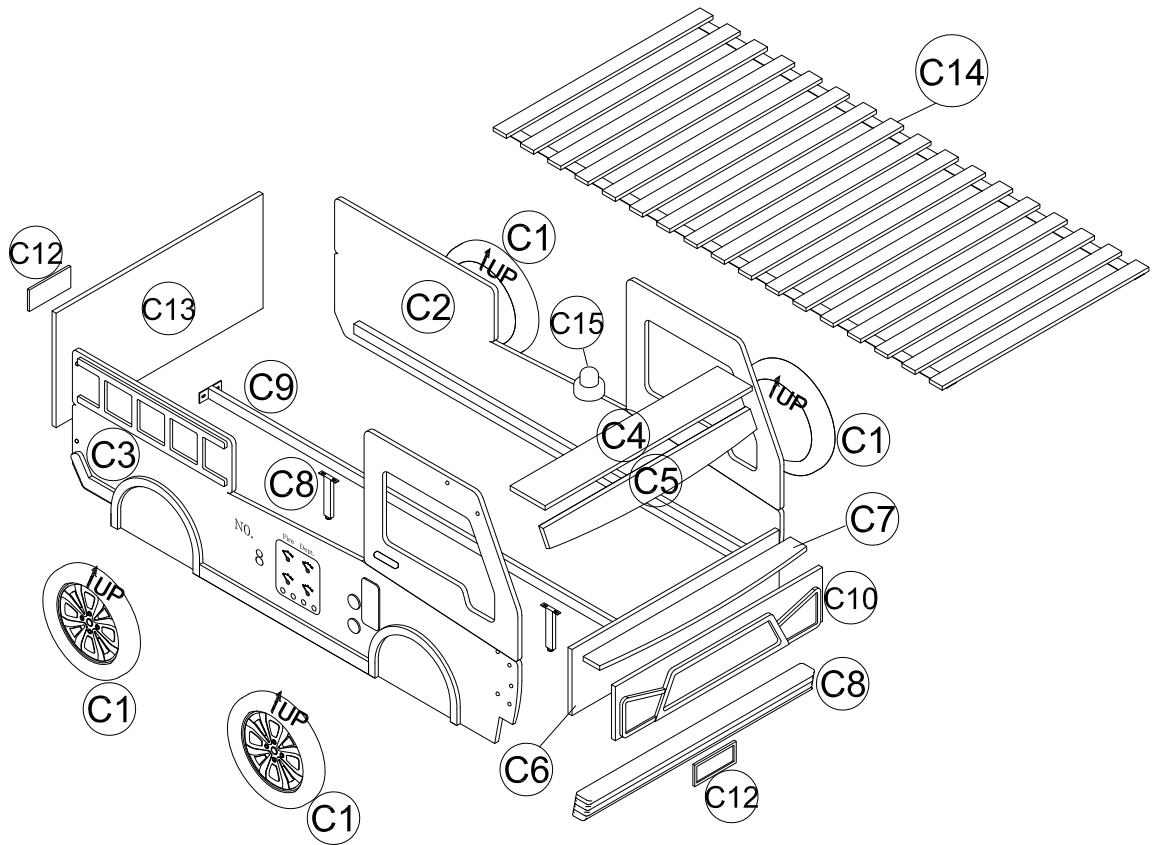
# PRE-ASSEMBLY PREPARATION

## Before you start:

1. Choose a clean, level, spacious assembly area. avoid hard surfaces that may damage the product
2. Take care when lifting. product should be assembled as near as possible to the point of use
3. Ensure that you have all required contents for complete assembly.
4. Always read the assembly instructions carefully before beginning assembly.
5. Keep all hardware parts and packaging out of reach of small children.
6. Do not over tighten the screws and bolts as this may damage the threads



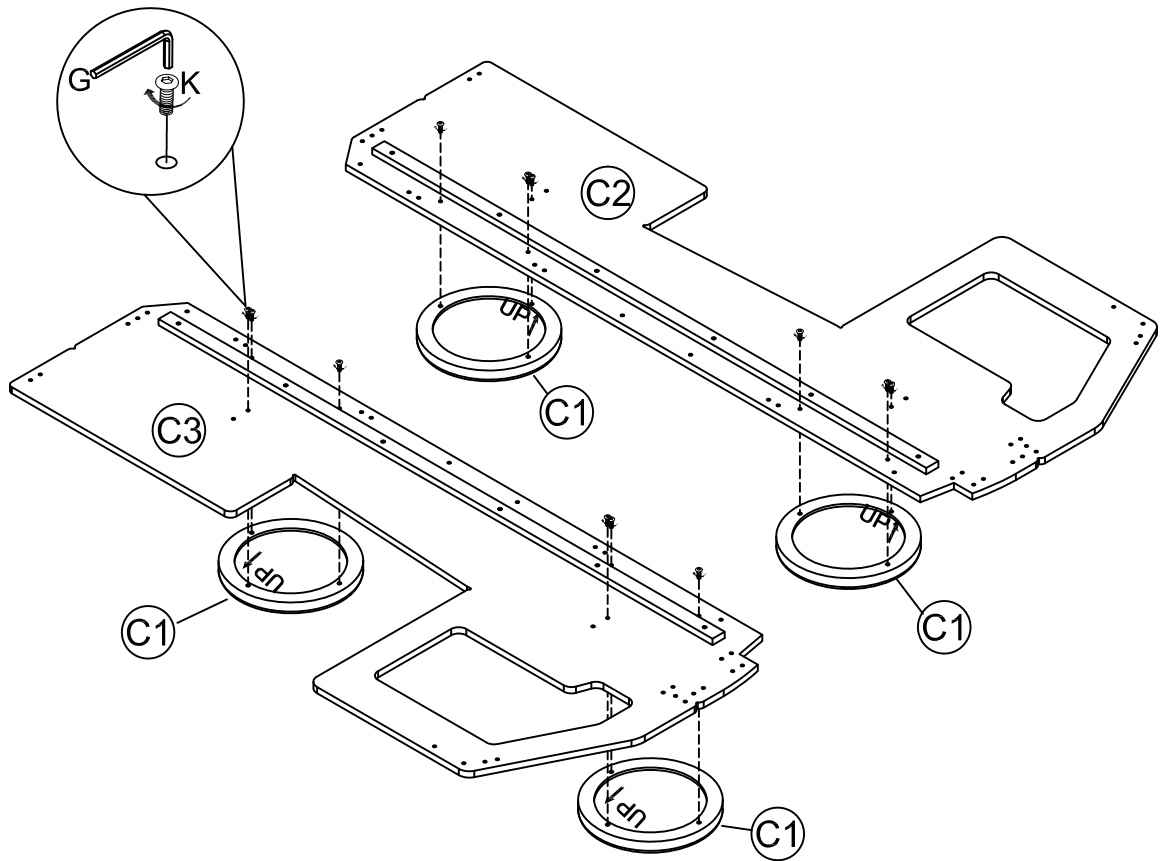
# PARTS LIST



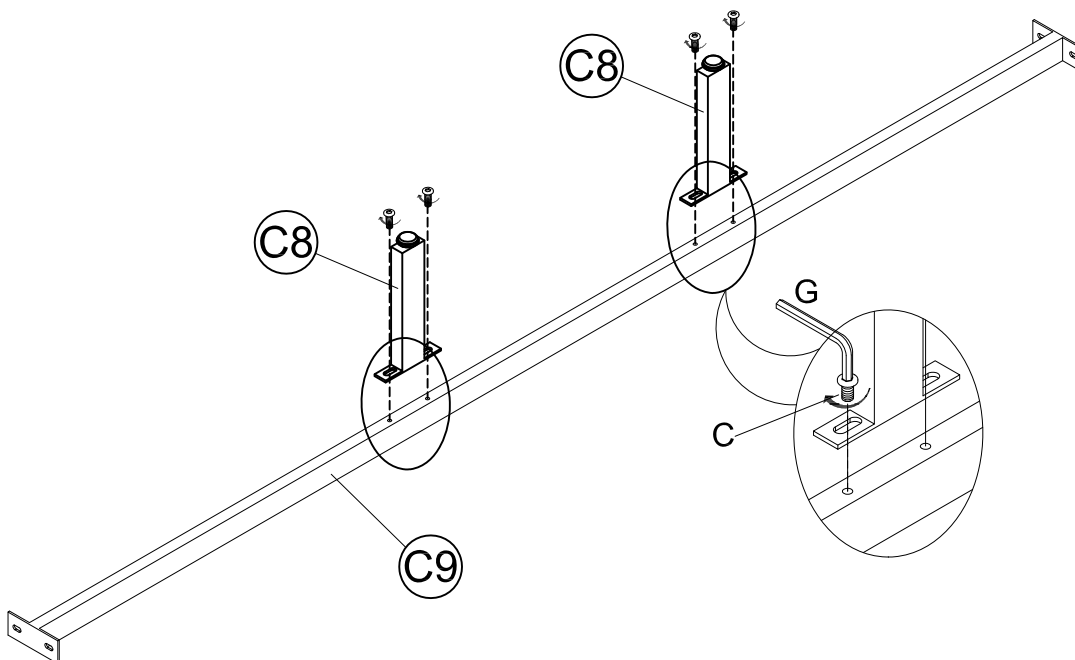
C1	Wheel	C9	Centre rail
C2	Right siderail	C10	Headboard front panel
C3	Left siderail	C11	Headboard bottom rail
C4	Headboard top panel	C12	License panel
C5	Headboard top apron	C13	Footboard
C6	Headboard inside panel	C14	Slats 949*60*15MM
C7	Headboard front rail	C15	Light Panel
C8	Support legs		

A. Bolt $\varnothing 6 \times 45$  8PCS	B. Dowel $\varnothing 8 \times 30$  24PCS	C. Bolt $\varnothing 6 \times 15$  8PCS	D. Bolt $\varnothing 6 \times 25$  4PCS	E. Cam lock and Cam pin $\varnothing 15 \times 44$  1PCE	F. Screw $\varnothing 3.5 \times 30$  10PCS	G. Hex Key 4MM  1PCE
H. Cam lock and Cam pin $\varnothing 15 \times 35$  2PCS	I. Bolt $\varnothing 6 \times 60$  12PCS	J. Bolt $\varnothing 6 \times 75$  1PCE	K. Bolt $\varnothing 6 \times 35$  12PCS	Q. Glue  1PC		

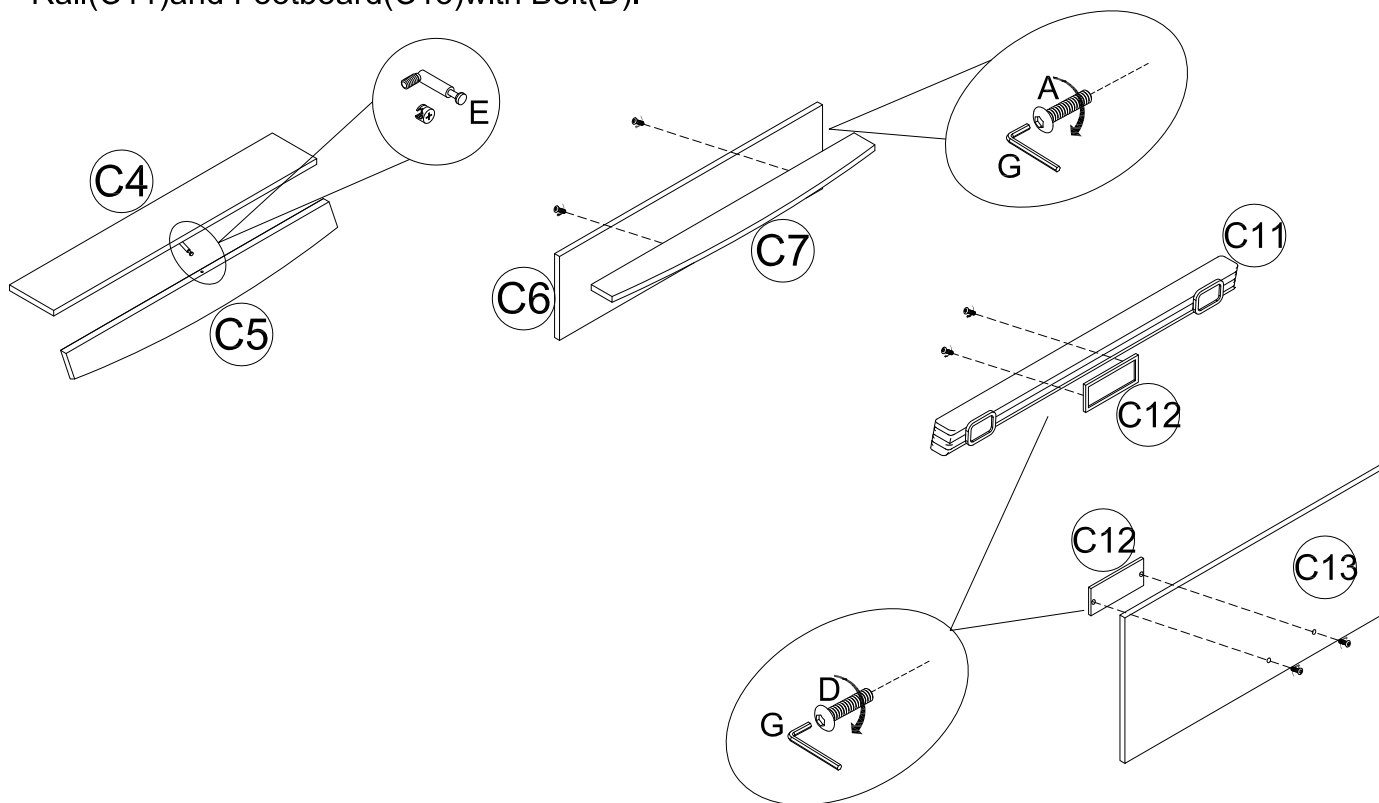
STEP 1: Use Hex Key(G)to tighten Wheel(C1)to the Left siderail(C3)and Right siderail(C2)with Bolt(K).



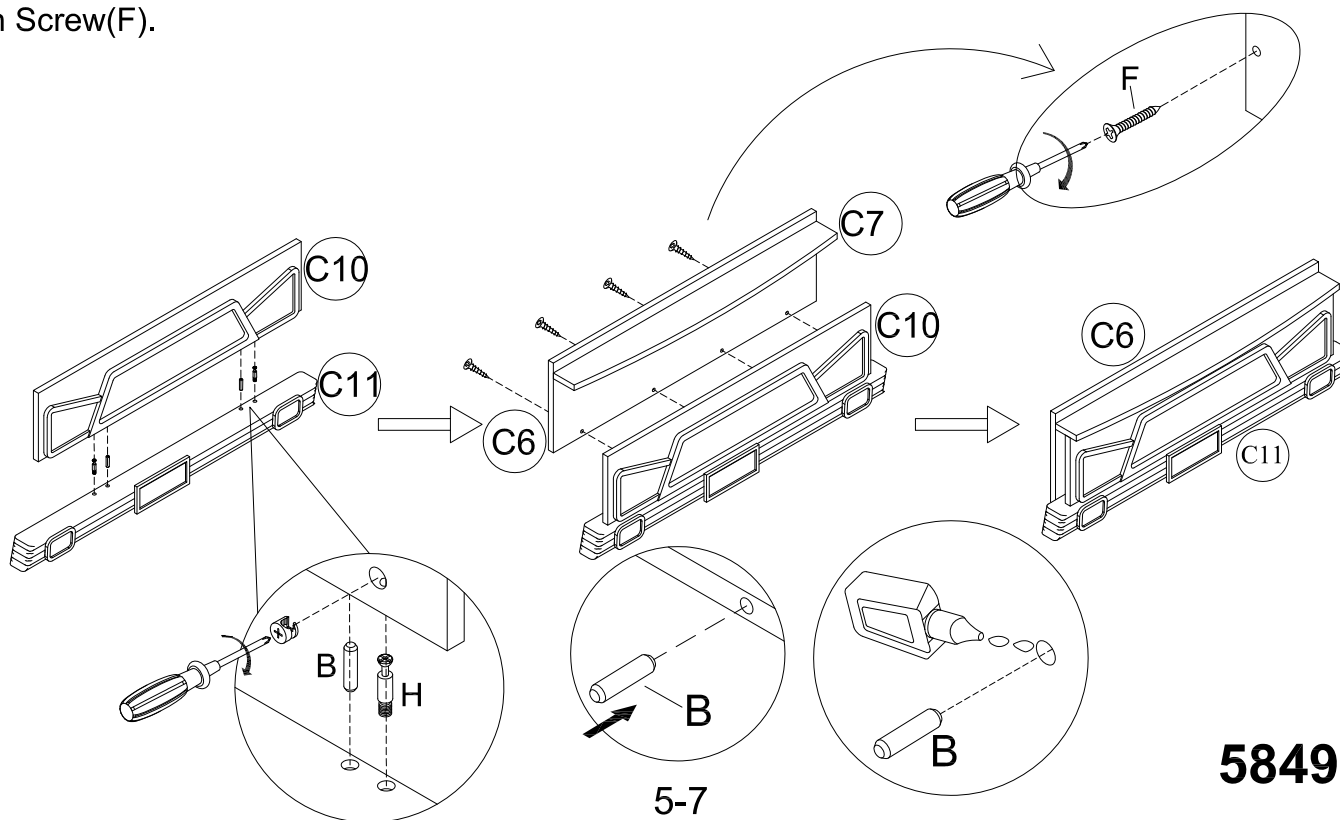
STEP 2: Use Hex Key(G)to tighten Centre Support Leg(C4)to the Centre Rail(C9)with Bolt(C)



STEP 3: Insert Cam lock(E)to the Headboard Top Apron(C5) use a Flat Head Screwdriver to tighten Cam Pin(E)to the Headboard Top Panel(C4).use a Flat Head Screwdriver to tighten Headboard Top Apron(C5)to Headboard Top panel(C4).Use Hex Key(G)to tighten Headboard Front Panel(C7)to the Headboard Inside Panel(C6)with Bolt(A).Use Hex Key(G)to tighten License Panel(C12)to the Headboard Bottom Rail(C11)and Footboard(C13)with Bolt(D).

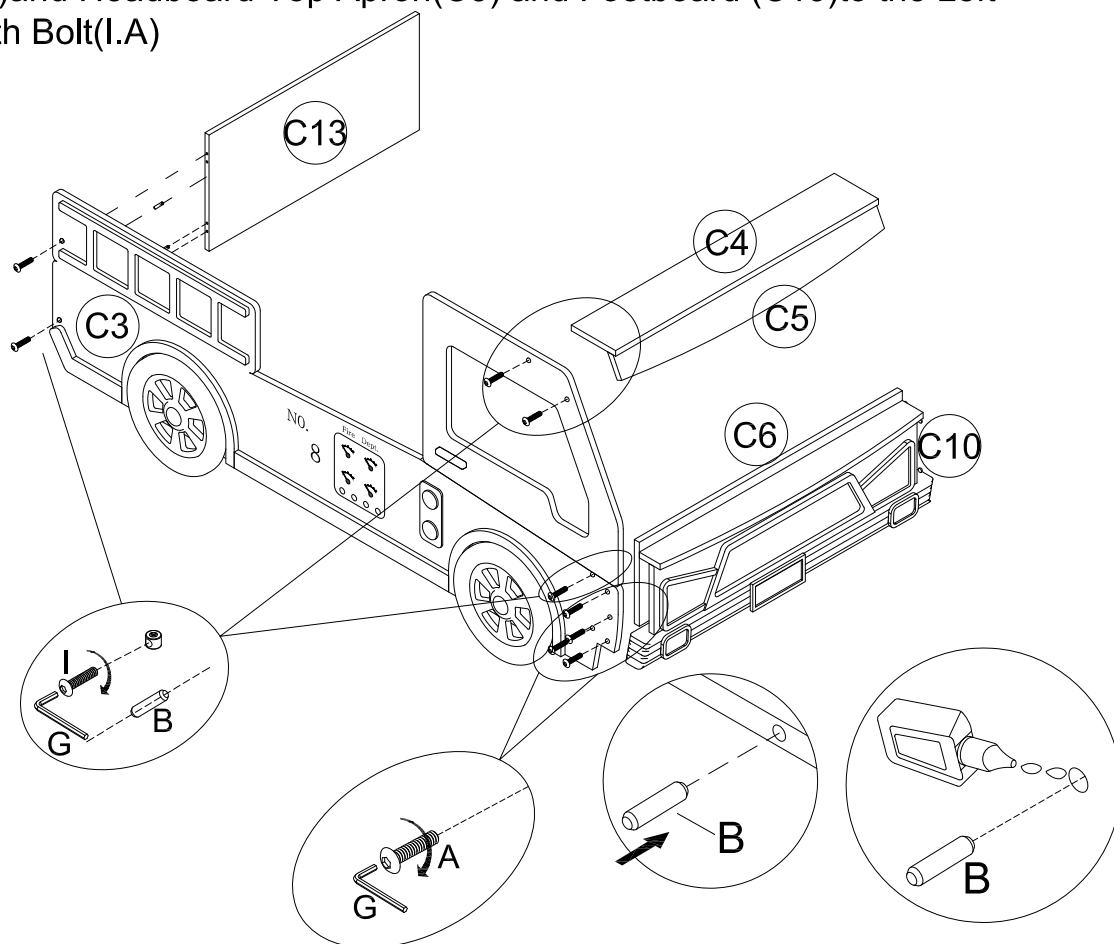


STEP 4: Insert the Dowel(B)to the Headboard Bottom Rail(C11).Insert the Cam Pin(H)to the Headbaord Bottom Rail(C11).Insert the Cam Lock(H) to the Headbaord Front Panel(C10) holes.Use a Flat Head Screwdriver to tighten the Cam Lock(H) to the Cam Pin(H).Use a Flat Head Screwdriver to tighten Headboard Inside Panel(C6)to the Headboard Front Panel(C10) with Screw(F).

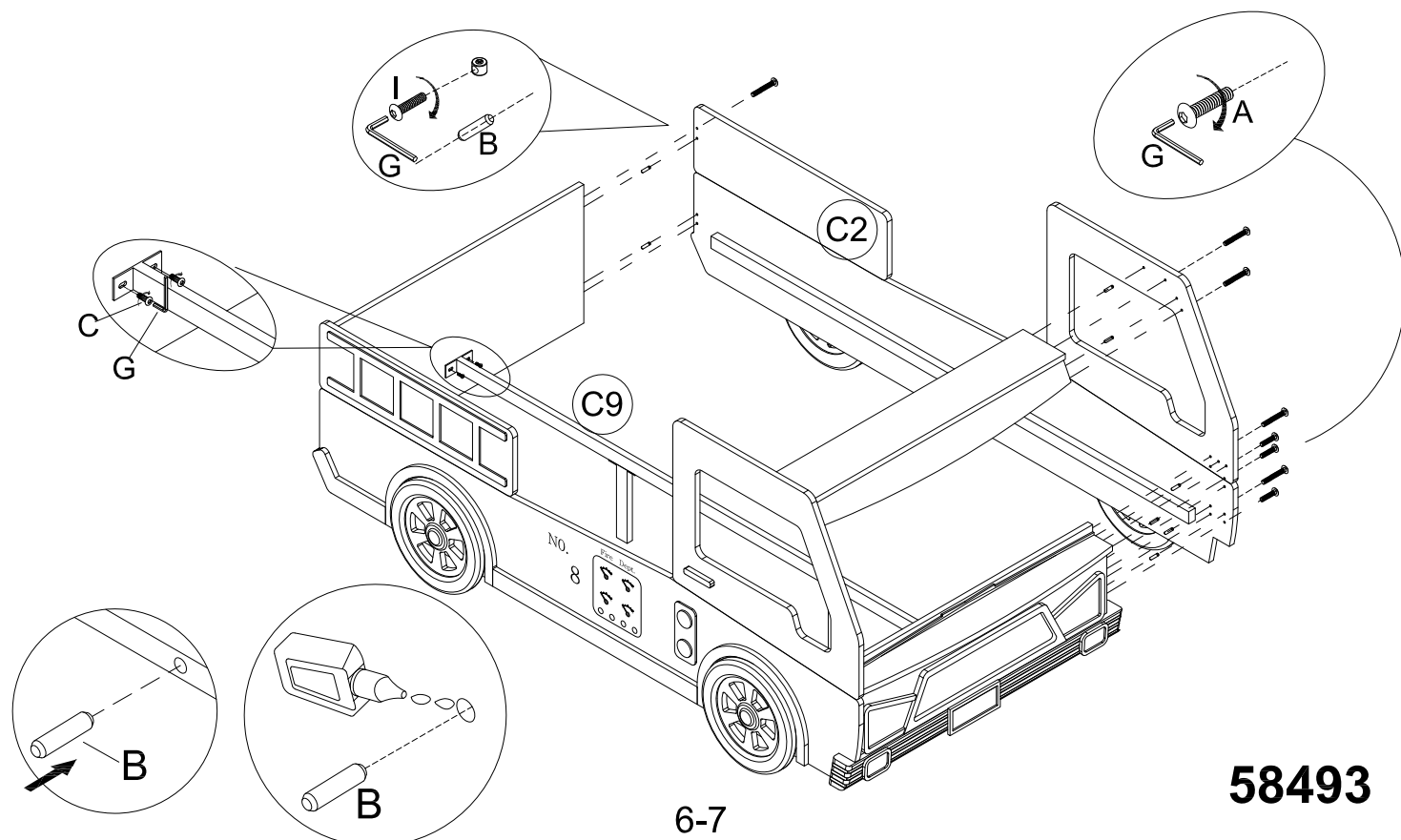


58493

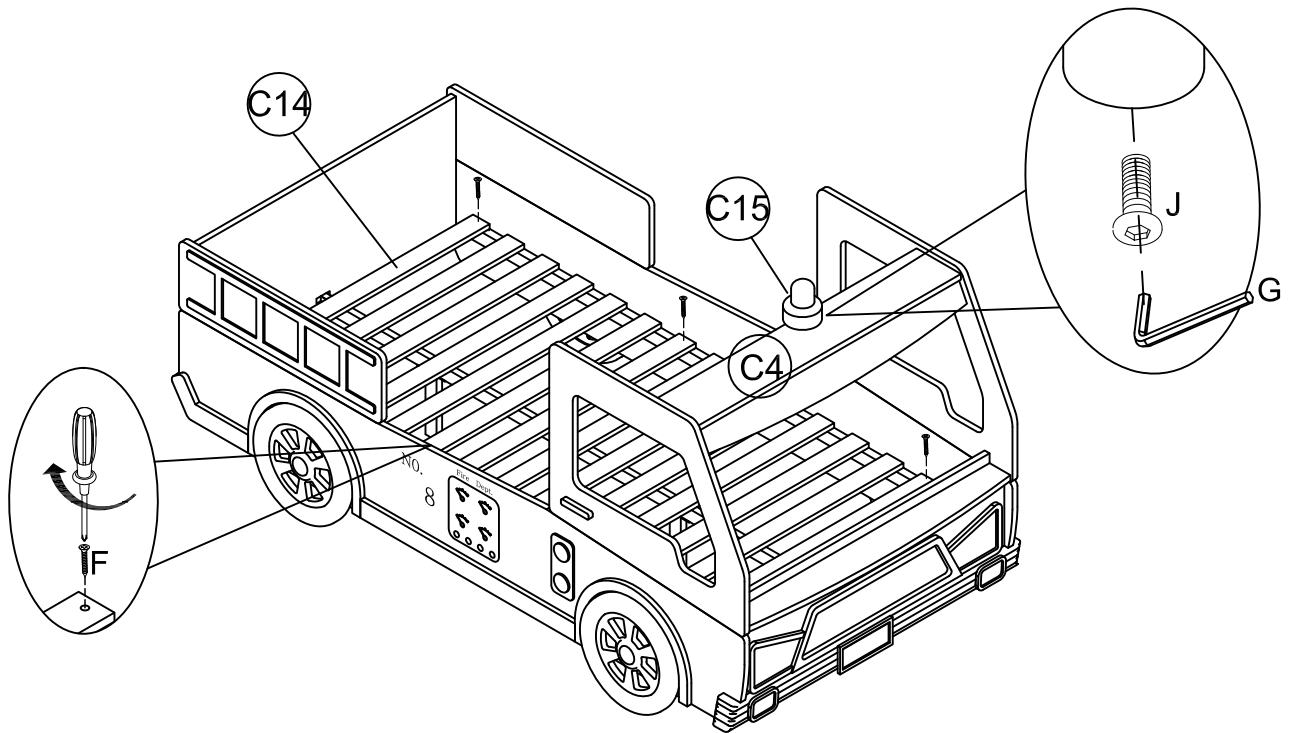
**STEP 5:** Insert the Dowel(B)to the Left siderail(C3).use Hex Key(G)to tighten the Headboard Inside Panel (C6)and Headboard Front Panel(C10) and Headboard Top Panel(C4)and Headboard Top Apron(C5) and Footboard (C13)to the Left siderail(C3)with Bolt(I.A)



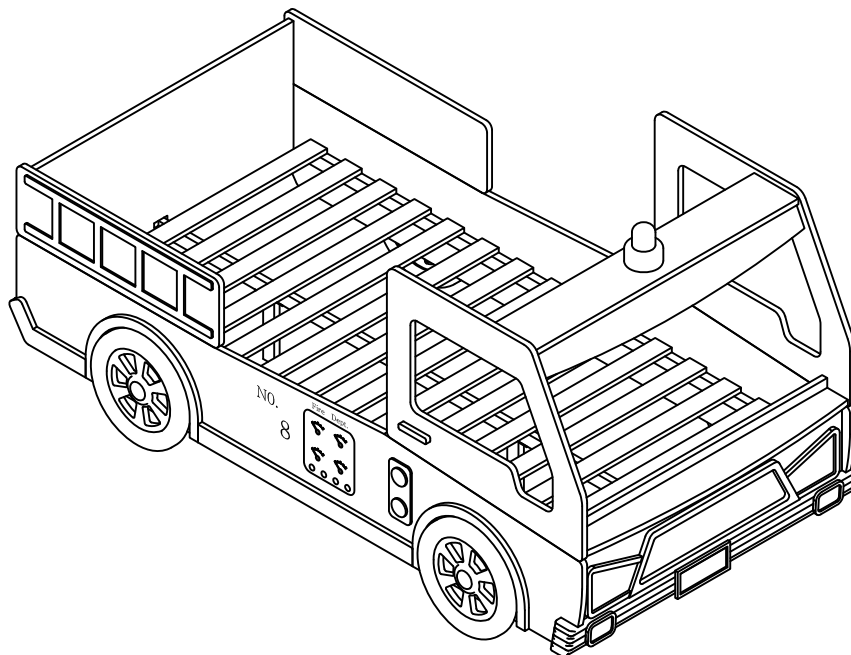
**STEP 6:** Use a Hex Key(G)to tighten Centre Rail(C9)to the Headboard Inside panel(C6)and Footboard(C13)with Bolt(C).Insert the Dowel(B)to the Right siderail(C2).use Hex Key(G)to tighten the Headboard Inside Panel (C6)and Headboard Front Panel(C10) and Headboard Top Panel(C4) and Headboard Top Apron(C5) and Footboard (C13)to the Right siderail(C2)with Bolt(I.A)



STEP 7: Use Hex Key(G)to tighten Light Panel(C15)to the Headboard Top Panel(C4)with Bolt (J).Use a Phillips Head Screwdriver to tighten the Slats(C14)to the Siderail Support Bar(C16)with Screw(F)



Assembly is complete



## **IMPORTANT: CARE GUIDE FOR YOUR HI-GLOSS FURNITURE**

*Congratulations! You have just purchased a quality product from Amart Furniture, Australia's largest discount furniture retail store. Please read on for important information regarding your purchase...*

Hi-gloss lacquered furniture is more sensitive to marks and scratching than some other furniture products. It is important to exercise caution and care to maximise the life and beauty of this product.

Following the below simple guidelines when using your hi-gloss product will protect your investment for years to come:

- Dust frequently with a clean damp, lint-free cloth. This will help remove abrasive build up which can damage a finish over time.
- Avoid using chemicals or solvents when cleaning the product.
- Do not place hot objects on any furniture surface. Always use a hot plate or placemat. Lacquer finishes provide added scratch and heat resistance to our furniture, but they can still be damaged without proper care.
- Avoid exposing your furniture to strong sunlight. Prolonged exposure to direct sunlight can fade the finish of your furniture.
- Do not expose your furniture to any liquids. Avoid allowing water to sit on your furniture. Alcohol, nail polish and perfume are particularly harmful as they will dissolve the lacquer finish on contact.
- Do not allow plastic to come in direct contact with your furniture. Chemicals in the plastic of some placemats etc may soften and mark the finish if left in contact with the furniture for a period of time.
- Avoid placing sharp or rough objects on the surface of your furniture. These may scratch the surface of the product.
- When moving your furniture, do not drag it across the floor. This may damage the product. Instead use two people to lift carefully with caution from either end.