

**WARNING :**

**TOP BUNK AND ELEVATED BEDS  
ARE DANGEROUS AND ARE NOT RECOMMENDED  
FOR CHILDREN UNDER AGE OF 9**

Falls from elevated beds can be fatal and deaths have occurred where children have fallen from elevated beds. This is relevant for all ages. The risk is greater for younger children.

The risk of injury or death from a fall from an elevated bed compared to a non-elevated bed is :

10 x greater for 7-8 year olds

7 x greater for 9-10 year olds

3 x greater for 11-12 year olds


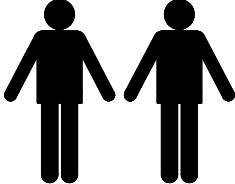

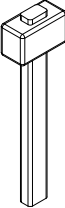
**WARNING :**

**The upper bunk must be more than 2m from any ceiling fan.**

# PRE-ASSEMBLY PREPARATION

## BEFORE YOU START....

1. Choose a clean, level, spacious assembly area. Avoid hard surfaces that may damage the product.
2. Check and ensure that you have all required contents for complete assembly.
3. Always read the assembly instructions carefully before beginning assembly.
4. The packaging and contents can be a choking hazard, therefore keep out of reach of small children at all items.
5. Do not over tighten the bolts as this may damage the thread.

	
ALLOW 120MINUTES	2 PEOPLE REQUIRED
	
ADDITIONAL TOOLS REQUIRED	



## WARNING

To help prevent serious or fatal injuries from entanglement or falls :

- \* Use the correct size mattress as specified
- \* Upper surface of mattress must be at least 160mm below upper edge of guard rails
- \* Follow all written instructions included with this bed
- \* Use guardrails on both sides of upper bunk
- \* Check the bunk bed periodically to ensure that the guardrails, access device and other components are maintained in the correct position and state of repair and that all connectors are tight with nothing protruding more than 8mm
- \* Ensure the upper bunk is more than 2m from any ceiling fan
- \* Prohibit horseplay on or under bed
- \* Prohibit more than one person on the upper bunk

TOP BUNK AND ELEVATED BEDS ARE DANGEROUS AND ARE NOT RECOMMENDED FOR CHILDREN UNDER THE AGE OF 9.

DO NOT REMOVE THIS LABEL

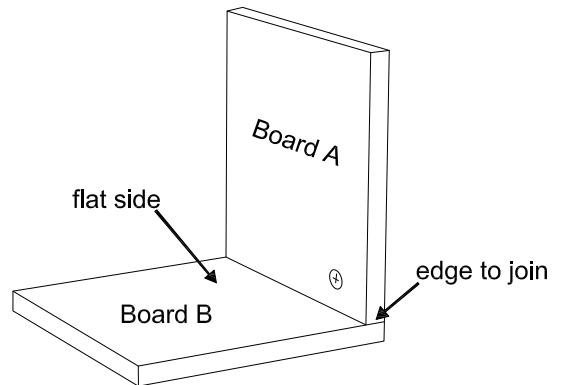
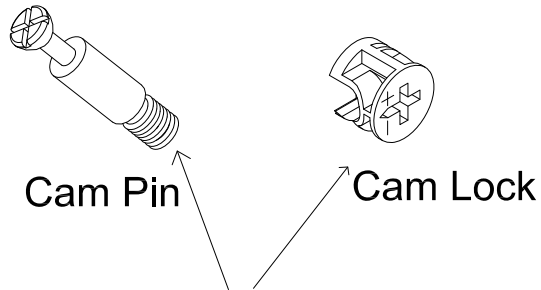
# CAM Lock and Pins

## step 1

### HOW TO USE CAM LOCK FASTENERS

To assemble this product hardware called Cam Lock Fasteners are used. The below is information on how these work.

Cam Locks are fasteners used to join two boards together, usually the edge of one board(A) to the flat side of another board(B)



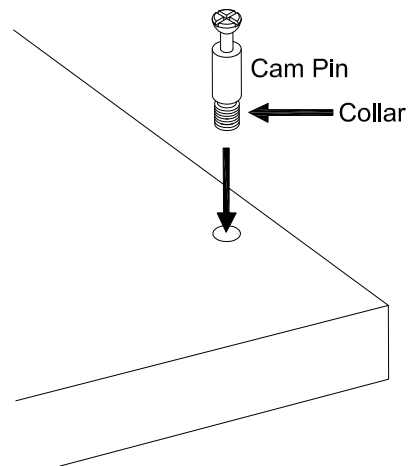
Ensure that you use the correct images that are representative of the hardware used in the product

## step 2

### To use Cam Lock Fasteners

The Cam Pin is inserted into the flat side of a board, it is important that:

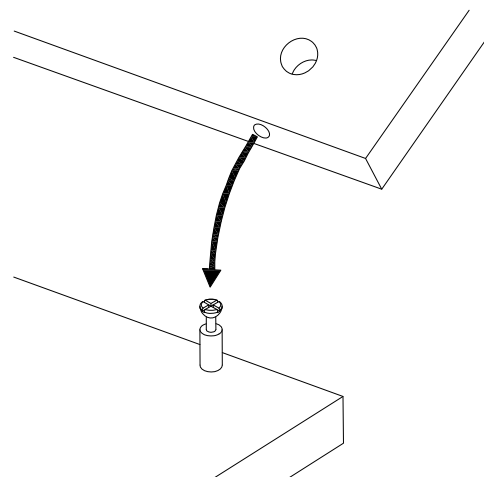
- \* The cam pin is kept vertical and is not put in on an angle
- \* Cam Pin is inserted up to the collar
  - \* Too far and it wont catch the Cam Lock (Do not Over Tighten)
  - \* Not enough and the resulting product wont be stable



## step 3

### To use Cam Lock Fasteners

Now fit the hole in the edge of the joining board over the Cam Pin

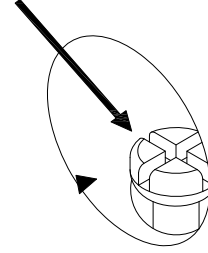


## step 4

### To use Cam Lock Fasteners

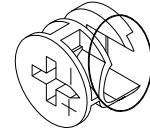
The Head of the Cam Pin will be visible in the large hole on the side of the joining board

head of the Cam Pin



### To use Cam Lock Fasteners

Notice the Cam Lock has a "C" Shaped back An Arrow or +/- signs on the front, indicated the open section on the back of the Cam Pin



Cam Lock

## step 5

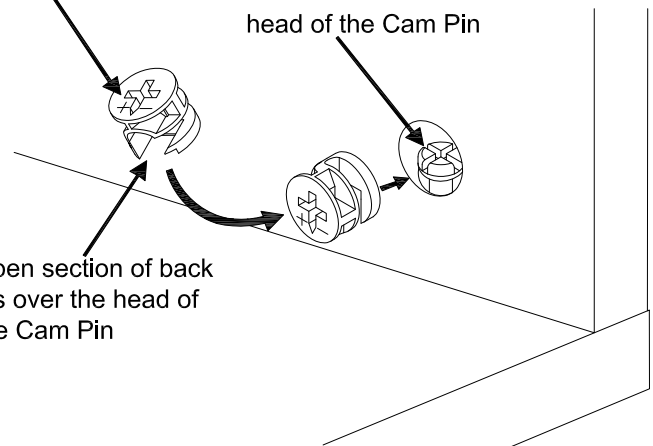
### To use Cam Lock Fasteners

In sert the Cam Lock into the large hole so the opening of the "C" fits over the head of the Cam Pin. You must ensure that the Cam Lock is pushed to the bottom of the hole to catch the top of the Cam Pin

Arrow or +/- signs

head of the Cam Pin

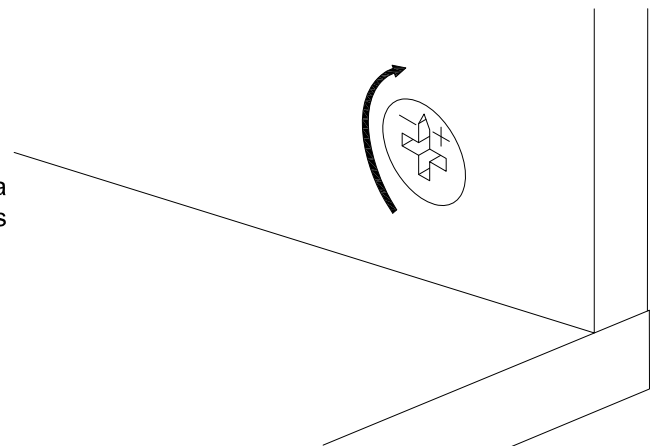
Open section of back fits over the head of the Cam Pin



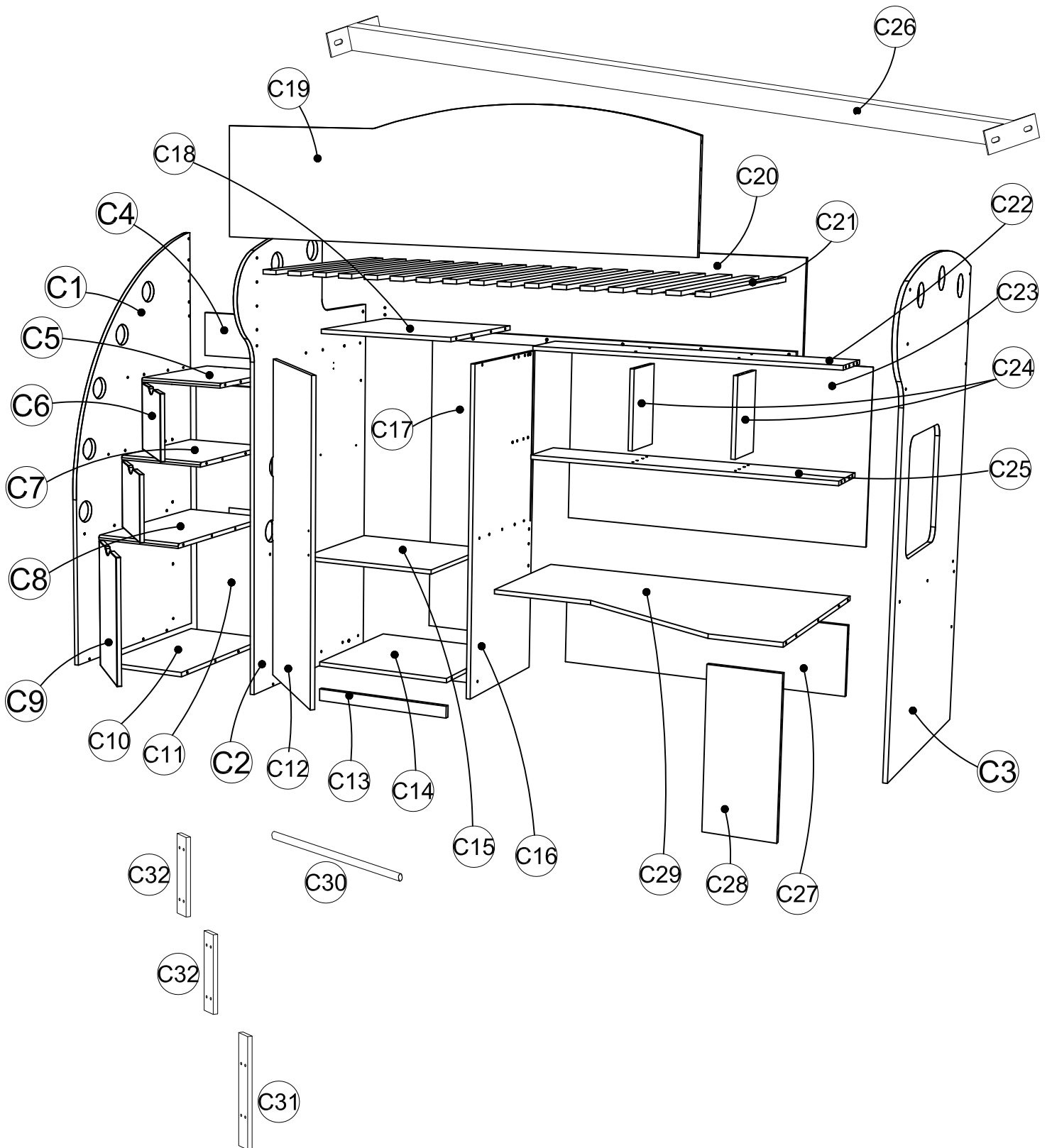
## step 6

### To use Cam Lock Fasteners

Use a flat screwdriver to turn the Cam Lock clockwise one half a turn so it Locks onto the head of the Cam Pin. Turn only until it is snug-over-tightening could cause the Cam to bend or break. If it will not turn the full amount, turn the Cam Pin out (counter-clockwise) one full turn, and try the Cam Lock again.



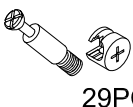
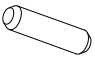








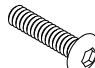



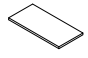
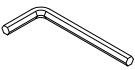
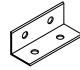

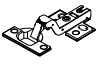

# PARTS LIST



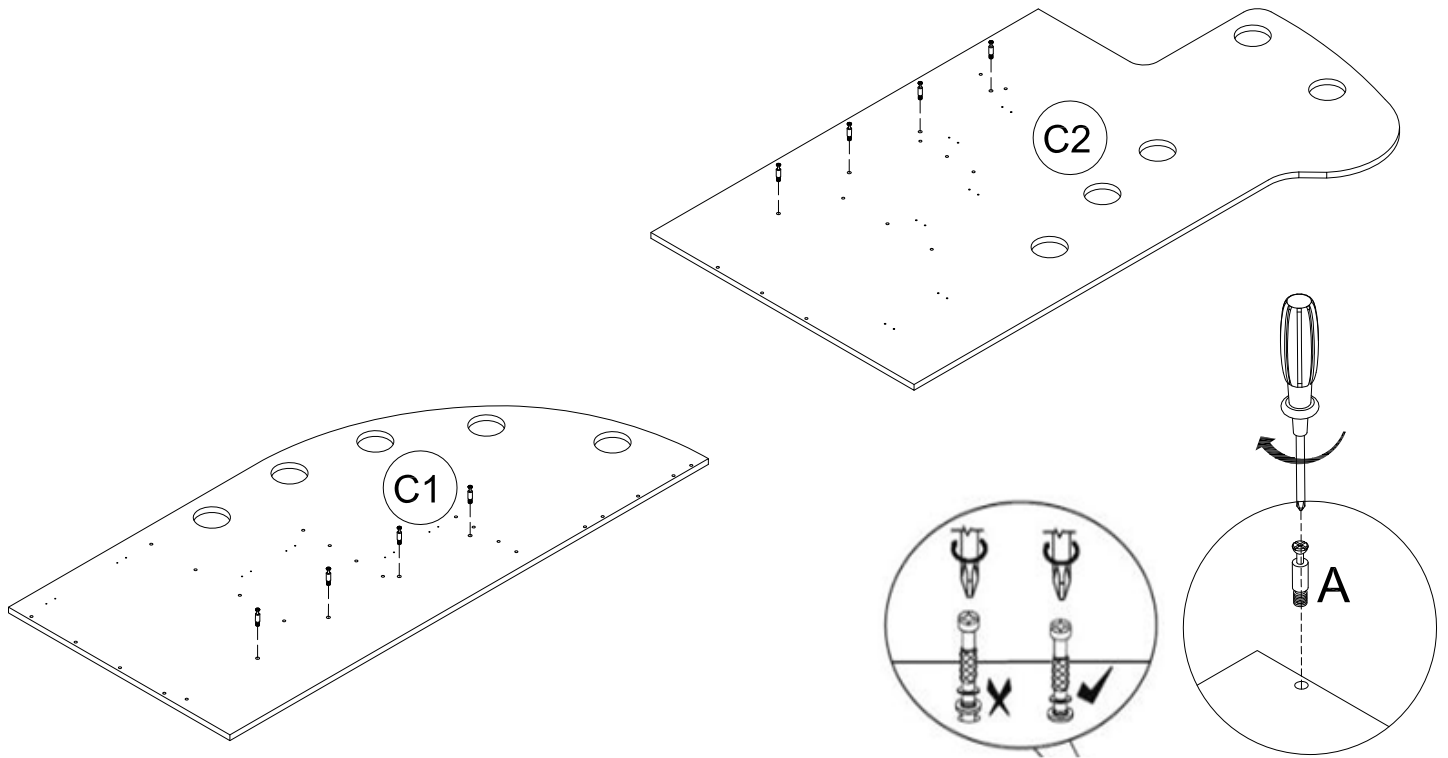
75430

# PARTS LIST

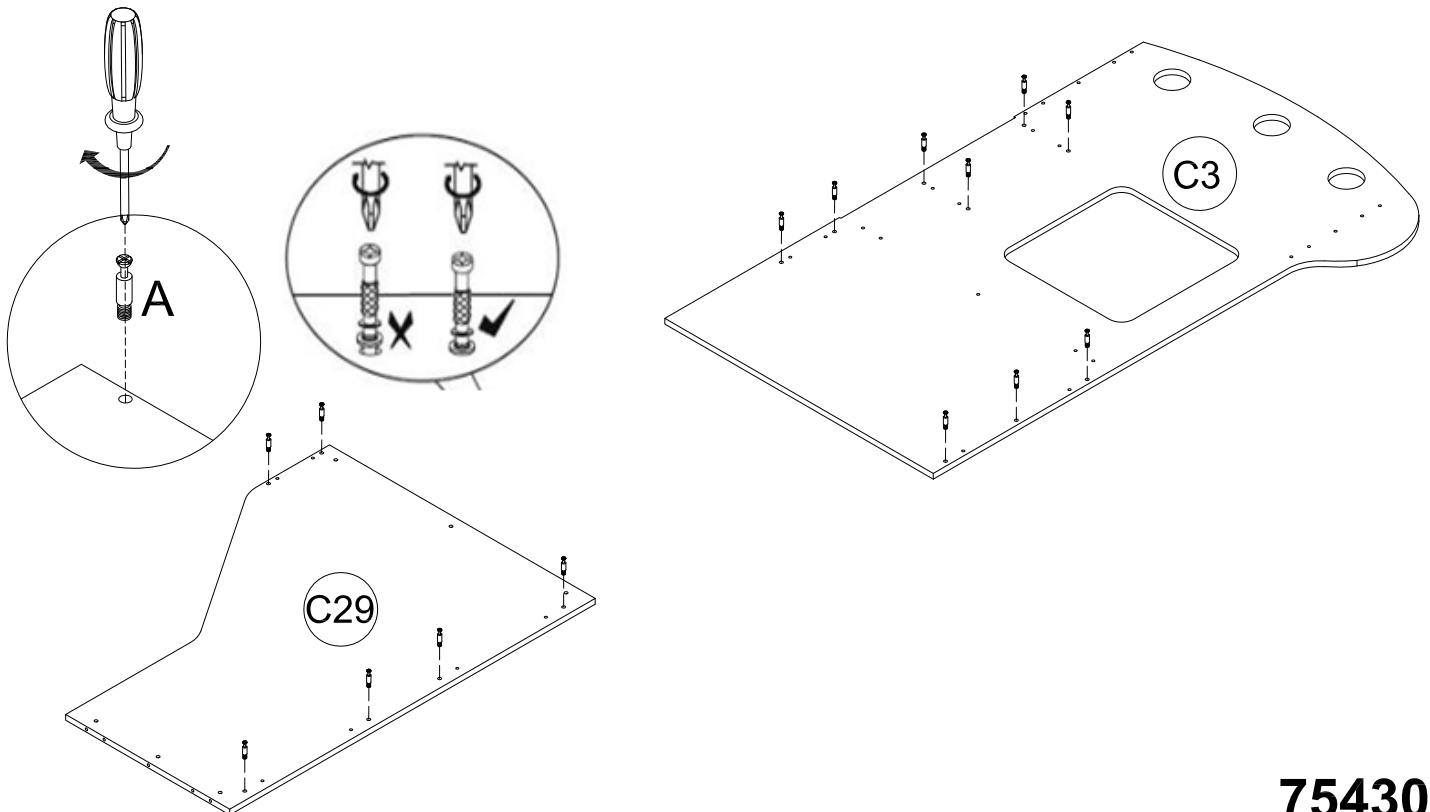
C1	LADDER SIDE PANEL	C17	WR-BACK PANEL
C2	END PANEL-LEFT	C18	WR-TOP PANEL
C3	END PANEL-RIGHT	C19	FRONT SAFETY RAIL
C4	LADDER TOP BACK PANEL	C20	BACK SAFETY RAIL
C5	LADDER TOP PANEL 1	C21	SLAT
C6	LADDER TOP DOOR	C22	TOP STORAGE PANEL
C7	LADDER TOP PANEL 2	C23	TOP BACK PANEL
C8	LADDER TOP PANEL 3	C24	VERTICAL PANEL
C9	LADDER BOTTOM DOOR	C25	BOTTOM STORAGE PANEL
C10	LADDER BOTTOM PANEL	C26	TUBE
C11	LADDER BACK PANEL	C27	BACK SUPPORT PANEL
C12	WR-DOOR	C28	FRONT SUPPORT PANEL
C13	WR-BOTTOM SUPPORT RAIL	C29	DESK TOP
C14	WR-BOTTOM PANEL	C30	Hanging Rod
C15	SHELF	C31	SUPPORT PANEL
C16	WR-SIDE PANEL	C32	SUPPORT PANEL

<input type="checkbox"/> A.Cam lock and Cam pin Ø15X35  <b>29PCS</b>	<input type="checkbox"/> B.Dowel Ø8X30  <b>78PCS</b>	<input type="checkbox"/> C.Bolt M4X22  <b>2PCS</b>	<input type="checkbox"/> D.Screw Ø4X14  <b>74PCS</b>	<input type="checkbox"/> E.Screw Ø3.5X30  <b>46PCS</b>	<input type="checkbox"/> F.Bolt Ø7X50  <b>8PCS</b>	<input type="checkbox"/> G.Screw Ø4X55  <b>6PCS</b>
<input type="checkbox"/> H.Bolt Ø6X13  <b>40PCS</b>	<input type="checkbox"/> I.Bolt M6X15  <b>4PCS</b>	<input type="checkbox"/> J.Bolt M6X30  <b>2PCS</b>	<input type="checkbox"/> K.Bolt M6X60  <b>40PCS</b>	<input type="checkbox"/> L.Shelf pin  <b>8PCS</b>	<input type="checkbox"/> M.Screw Ø4X16  <b>39PCS</b>	<input type="checkbox"/> N.U-BRACKET  <b>2PCS</b>
<input type="checkbox"/> O.Floor Protector 20x15x5mm  <b>20PCS</b>	<input type="checkbox"/> P.Hex key M4  <b>1PCE</b>	<input type="checkbox"/> Q.Bracket  <b>4PCS</b>	<input type="checkbox"/> R.Handle  <b>1PCE</b>	<input type="checkbox"/> S.Hinge  <b>9PCS</b>	<input type="checkbox"/> T.Glue  <b>1PCE</b>	

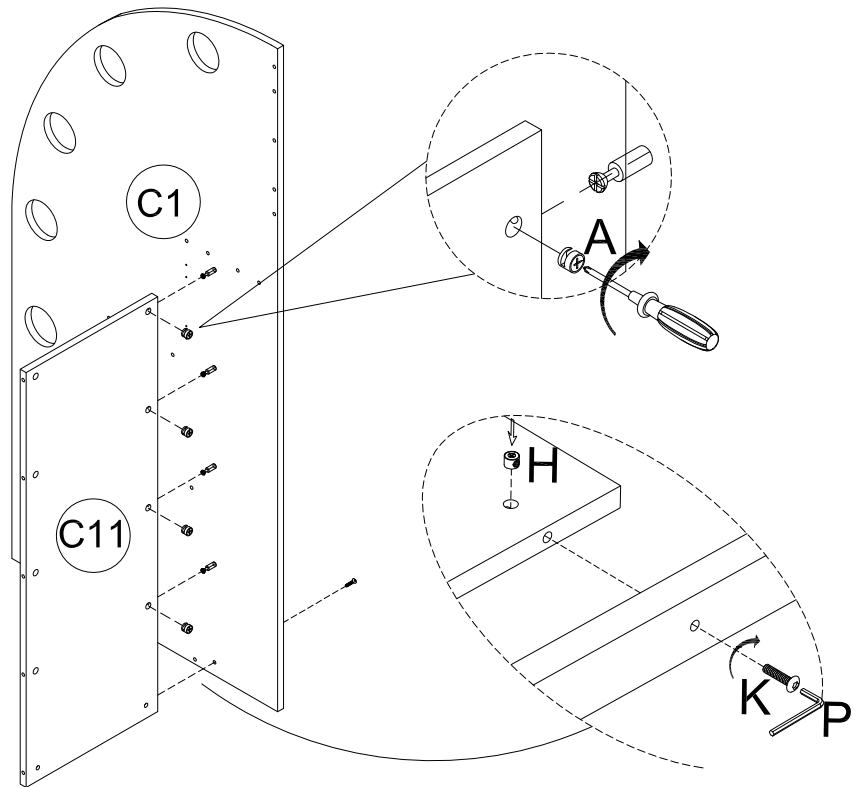
Step 1: Use a Phillips Head Screwdriver to insert the Cam Pin(A) to the LADDER SIDE PANEL(C1) and END PANEL-LEFT(C2).



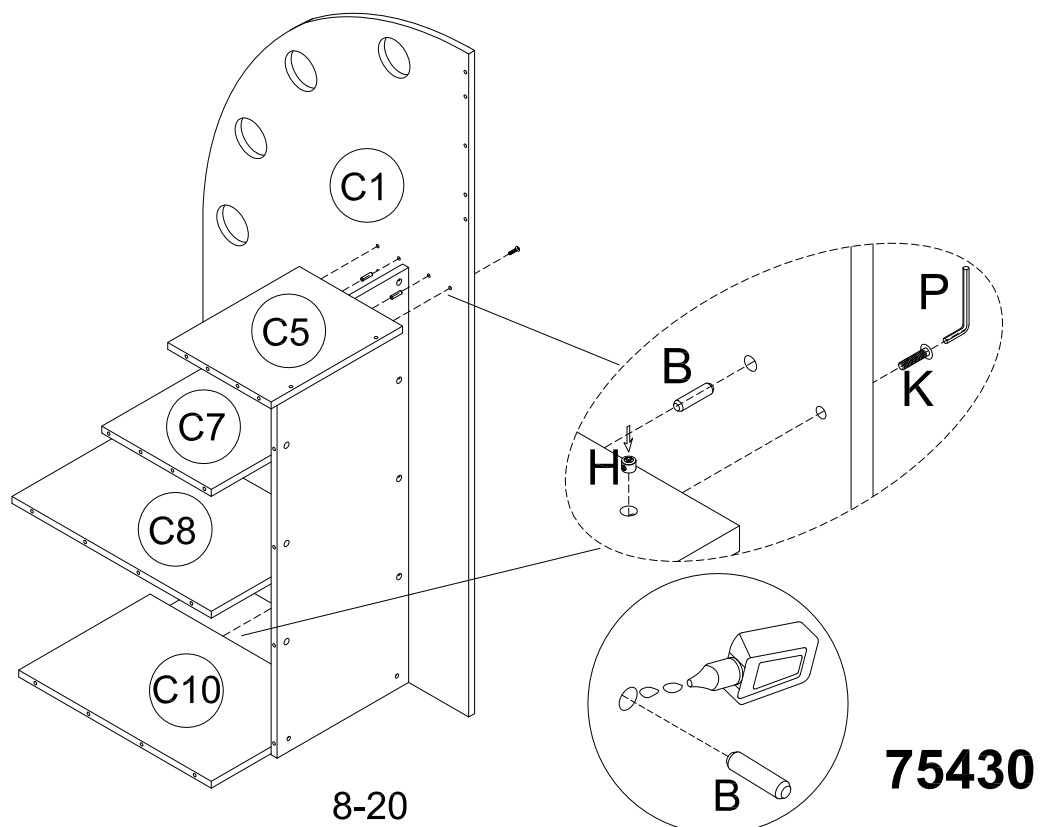
Step 2: Use a Phillips Head Screwdriver to insert the Cam Pin(A) to the END PANEL-RIGHT(C3) and DESK TOP(C29).



Step 3: Use a Hex Key (P) to assemble the LADDER BACK PANEL(C11) to the LADDER SIDE PANEL(C1) with Bolt(K) and Bolt(H).Use a Phillips Head Screwdriver to turn the Cam Lock (A) to lock onto the head of Cam Pin(A).

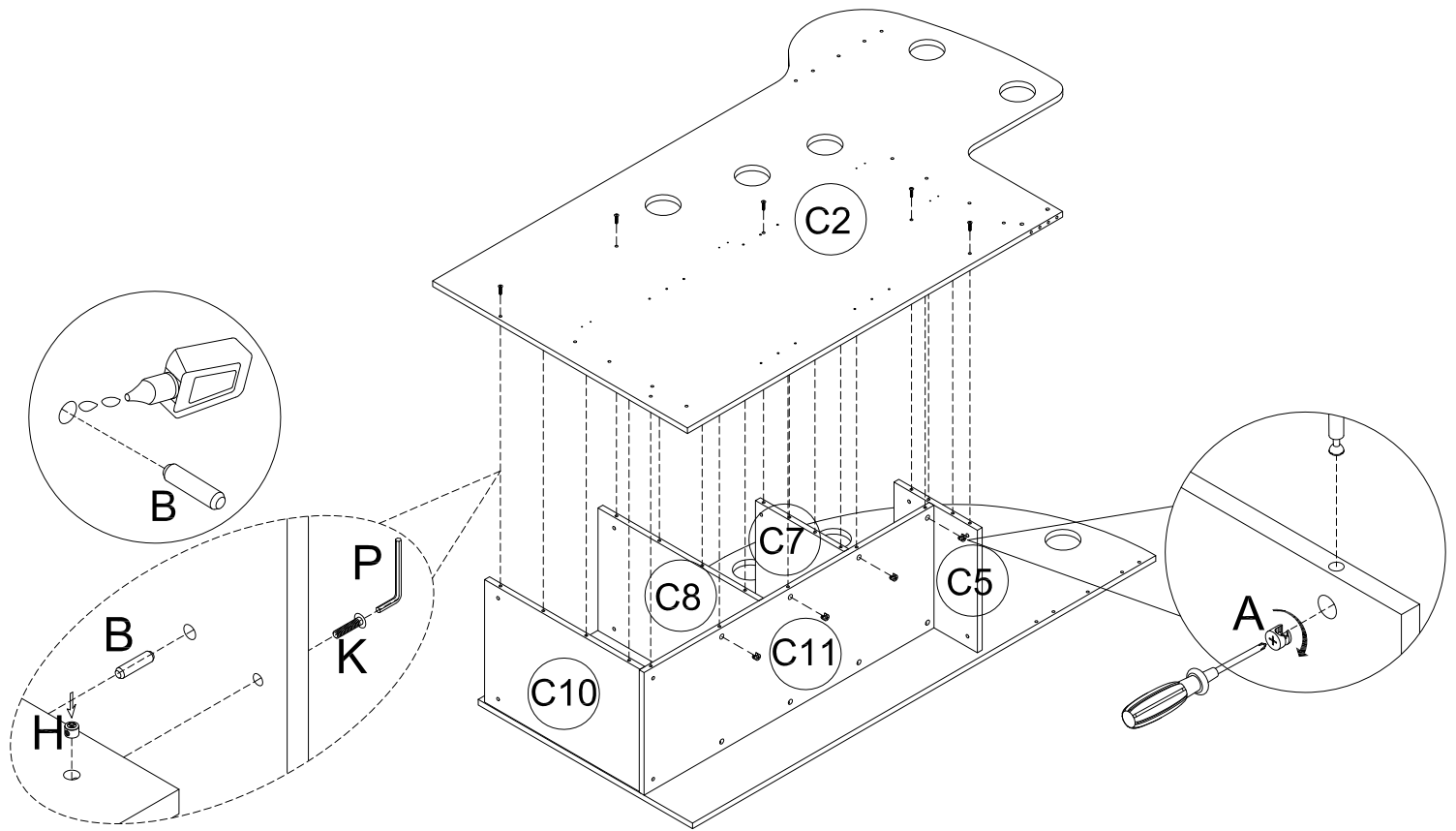


Step 4: Insert the Dowel(B) to the LADDER TOP PANEL 1(C5) and LADDER TOP PANEL 2(C7) and LADDER TOP PANEL 3(C8) and LADDER BOTTOM PANEL(C10).Use a Hex Key (P) to assemble the LADDER TOP PANEL 1(C5) and LADDER TOP PANEL 2(C7) and LADDER TOP PANEL 3(C8) and LADDER BOTTOM PANEL(C10) to the LADDER SIDE PANEL(C1) with Bolt(K) and Bolt(H).

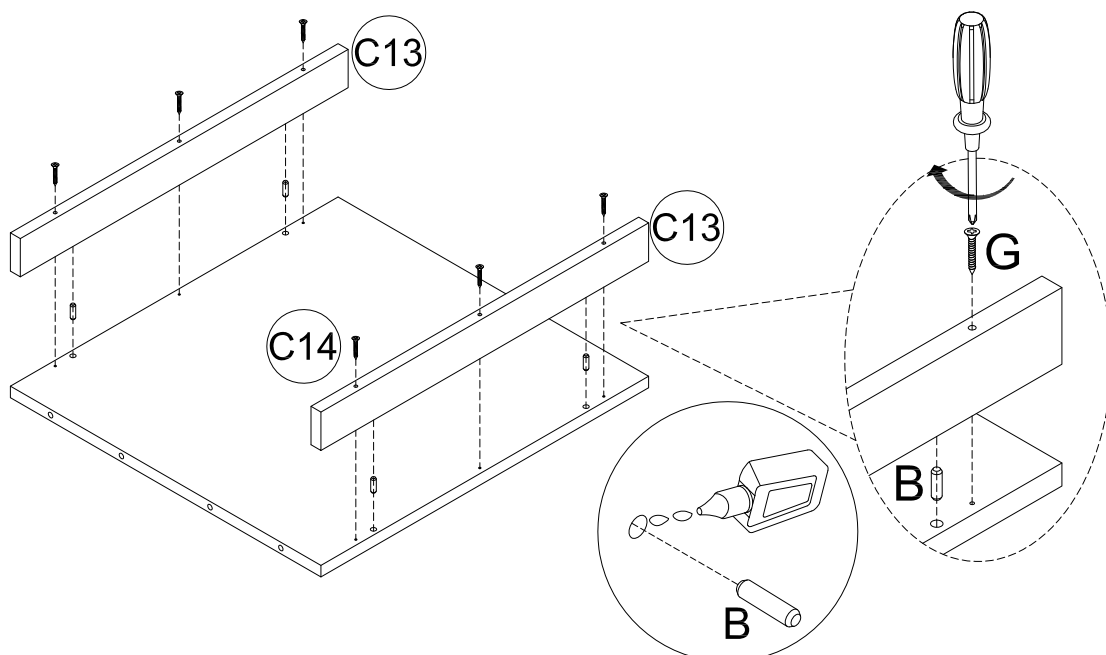




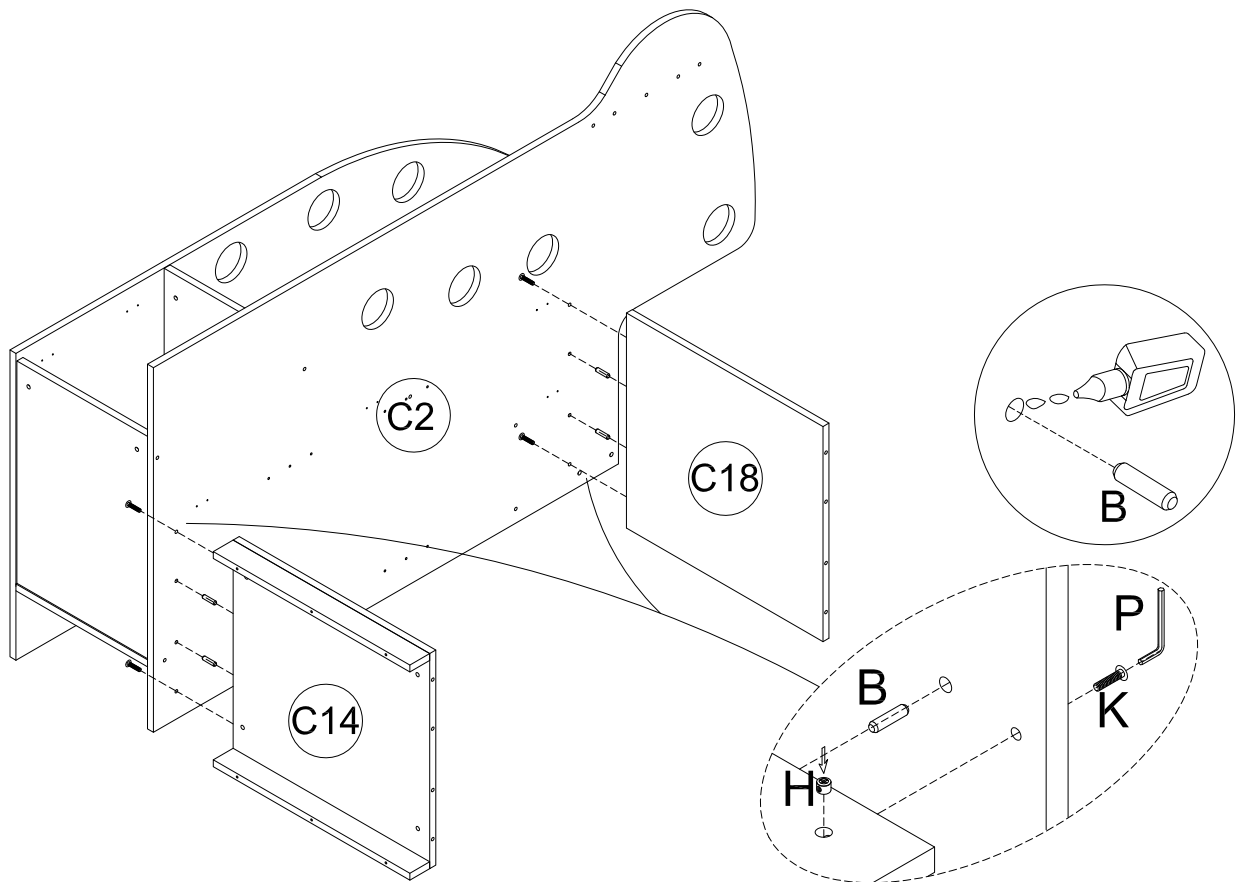
Step 5: Insert the Dowel(B) to the LADDER TOP PANEL 1(C5) and LADDER TOP PANEL 2(C7) and LADDER TOP PANEL 3(C8) and LADDER BOTTOM PANEL(C10). Use a Hex Key (P) to assemble the END PANEL-LEFT(C2) to the LADDER TOP PANEL 1(C5) and LADDER TOP PANEL 2(C7) and LADDER TOP PANEL 3(C8) and LADDER BOTTOM PANEL(C10) and LADDER BACK PANEL(C11) with Bolt(K) and Bolt(H). Use a Phillips Head Screwdriver to turn the Cam Lock (A) to lock onto the head of Cam Pin(A).



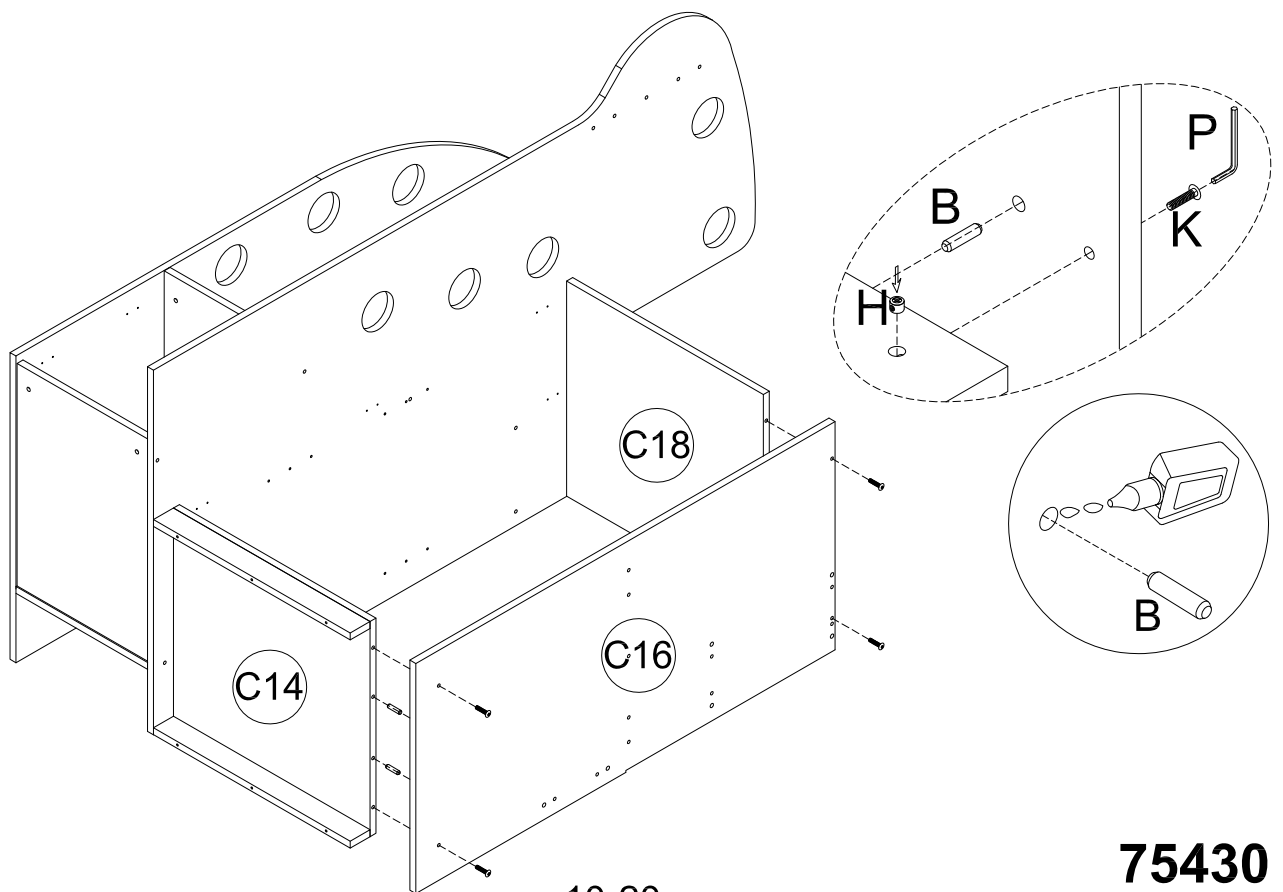
Step 6: Insert the Dowel(B) to the WR-BOTTOM PANEL(C14). Use a Phillips Head Screwdriver to assemble the WR-BOTTOM SUPPORT RAIL(C13) to the WR-BOTTOM PANEL(C14) with Screw(G).



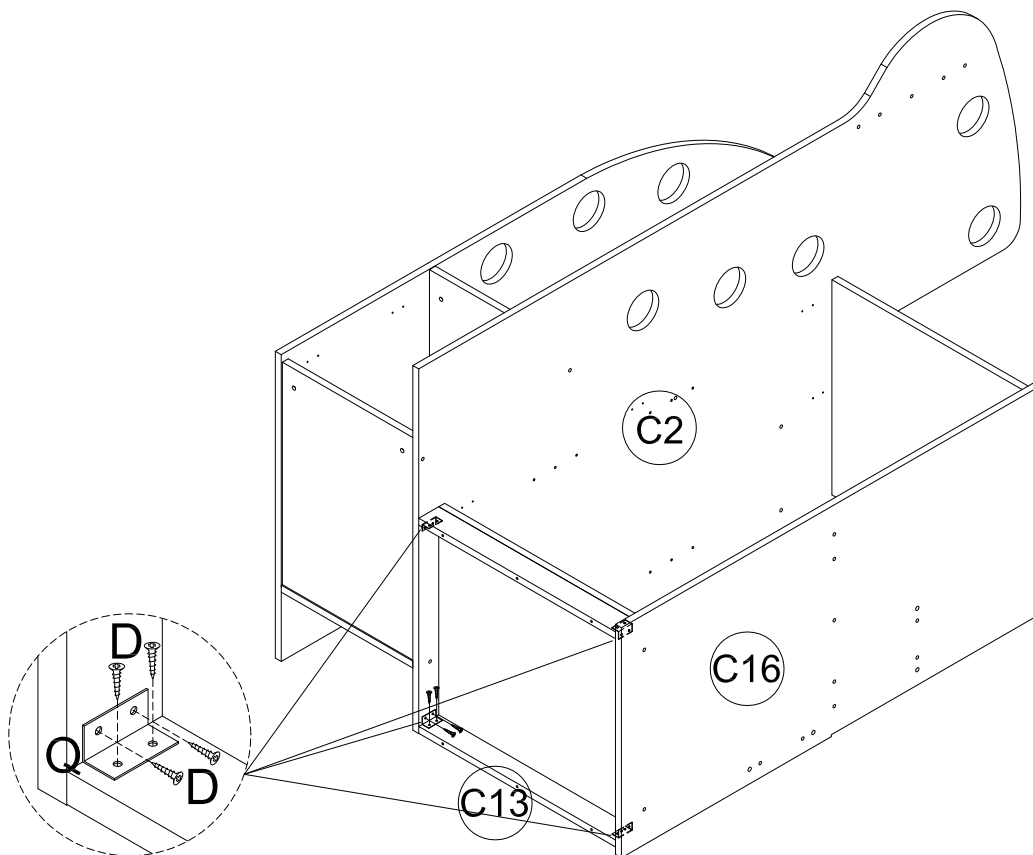
Step 7: Insert the Dowel(B) to the WR-BOTTOM PANEL(C14) and WR-TOP PANEL(C18).  
Use a Hex Key (P) to assemble the WR-BOTTOM PANEL(C14) and WR-TOP PANEL(C18)  
to the END PANEL-LEFT(C2) with Bolt(K) and Bolt(H).



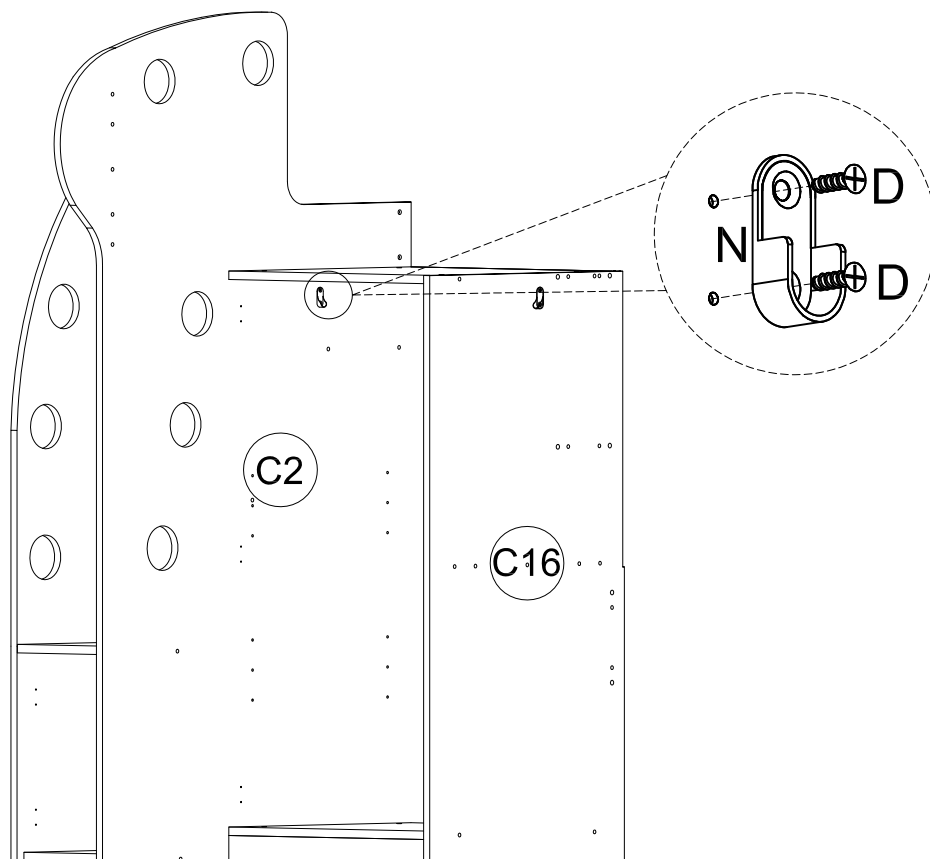
Step 8: Insert the Dowel(B) to the WR-BOTTOM PANEL(C14) and WR-TOP PANEL(C18).  
Use a Hex Key (P) to assemble the WR-SIDE PANEL(C16) to the WR-BOTTOM PANEL(C14)  
and WR-TOP PANEL(C18) with Bolt(K) and Bolt(H).



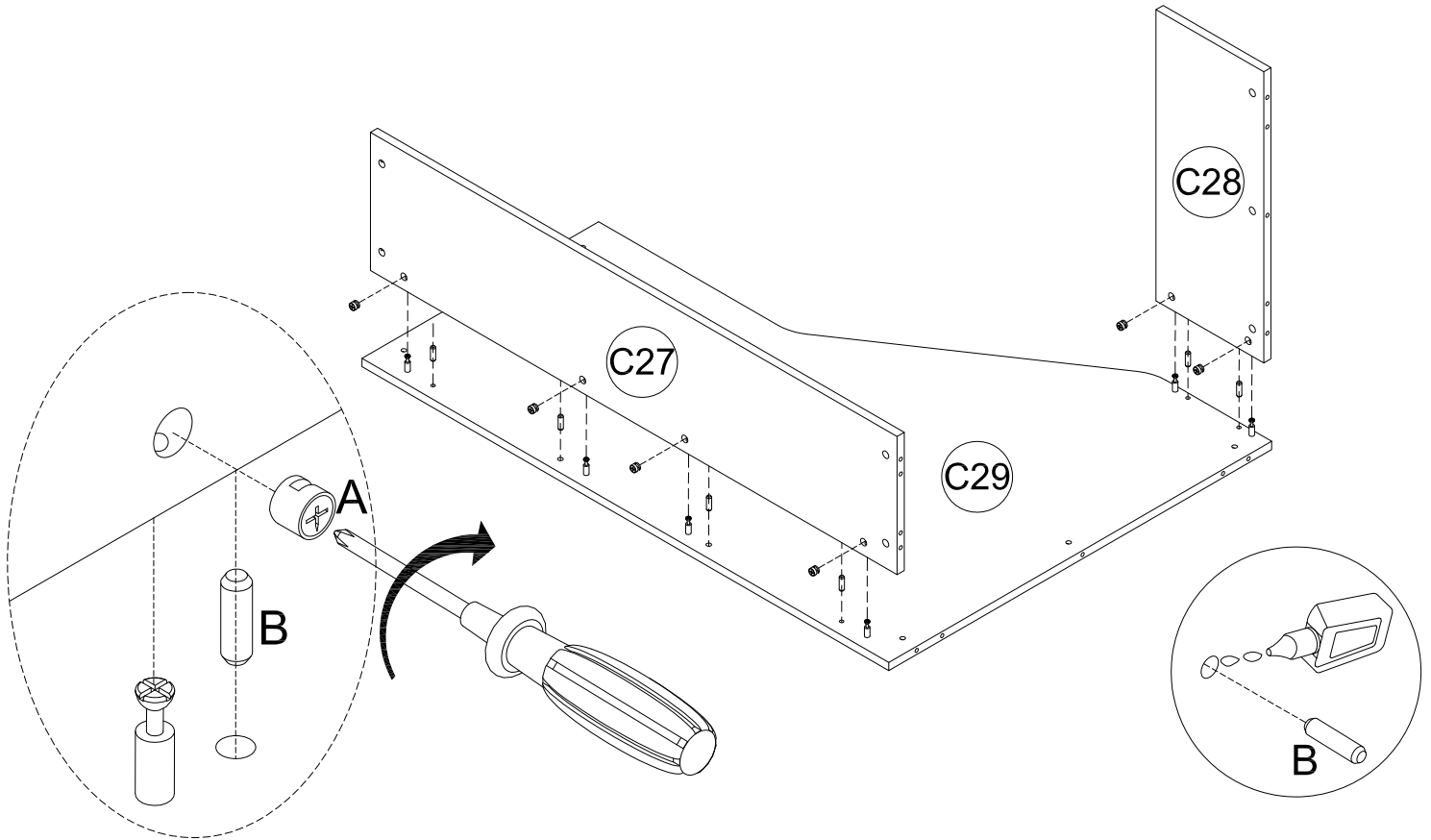
Step 9: Use a Phillips Head Screwdriver to assemble the Bracket (Q) to the WR-BOTTOM SUPPORT RAIL(C13) and END PANEL-LEFT(C2) with Screw(D).  
Use a Phillips Head Screwdriver to assemble the Bracket (Q) to the WR-BOTTOM SUPPORT RAIL(C13) and WR-SIDE PANEL(C16) with Screw(D).



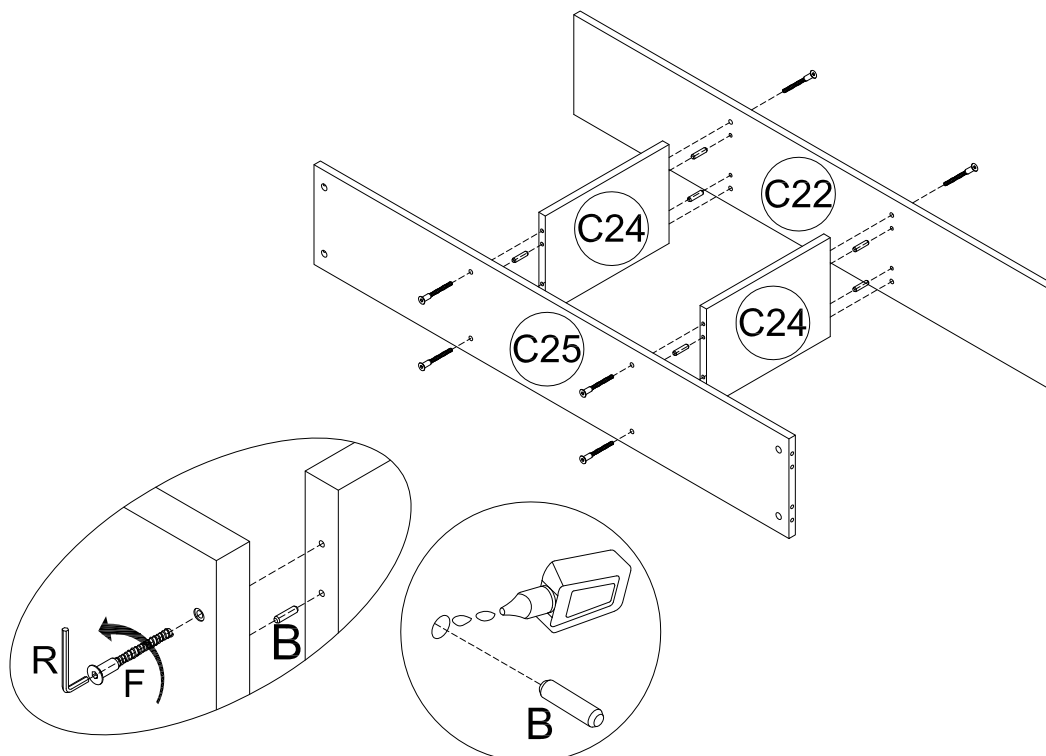
Step 10: Use a Phillips Head Screwdriver to assemble the U Bracket(N) to the END PANEL-LEFT(C2) and WR-SIDE PANEL(C16) with Screw(D).



Step 11: Insert the Dowel(B) to the BACK SUPPORT PANEL(C27) and FRONT SUPPORT PANEL(C28). Attach the BACK SUPPORT PANEL(C27) and FRONT SUPPORT PANEL(C28) to the DESK TOP(C29). Use a Phillips Head Screwdriver to turn the Cam Lock (A) to lock onto the head of Cam Pin(A).

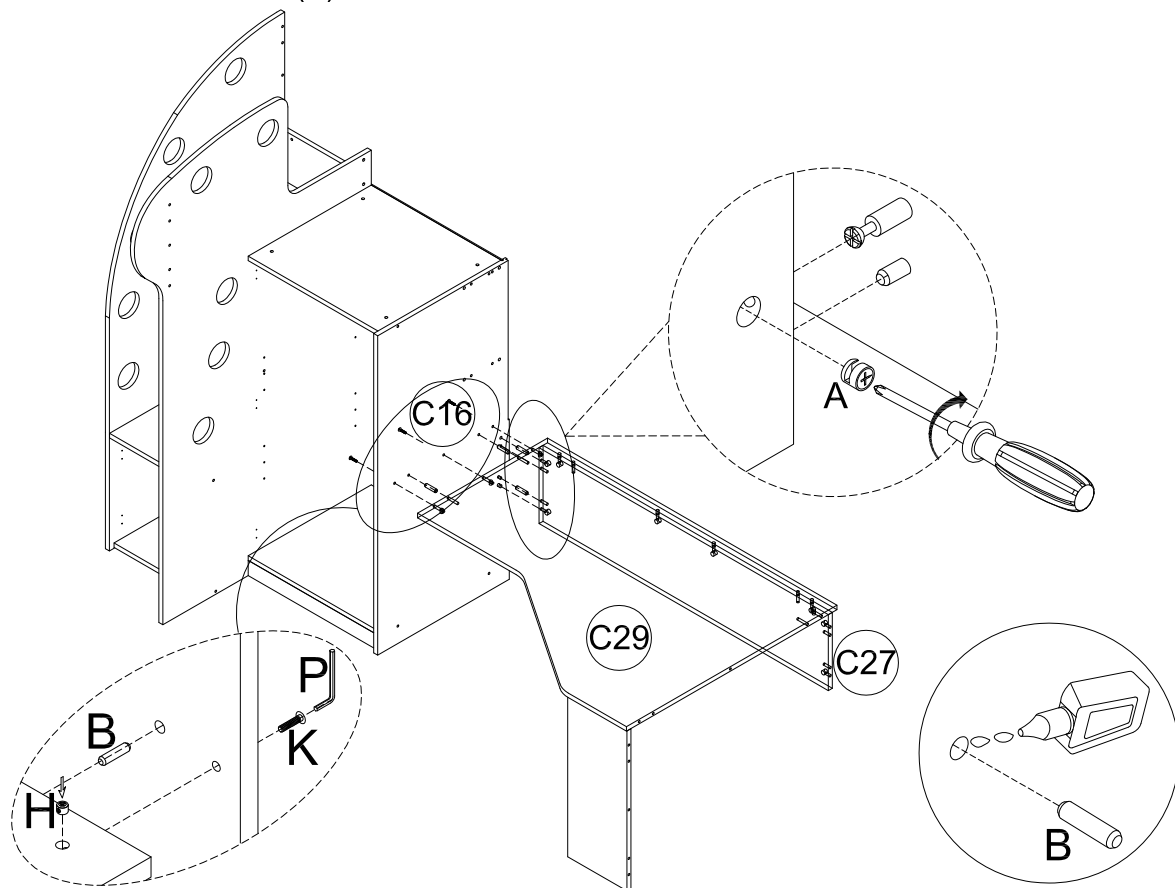


Step 12: Insert the Dowel(B) to the VERTICAL PANEL(C24). Use a Hex Key (P) to assemble the VERTICAL PANEL(C24) to the TOP STORAGE PANEL(C22) and BOTTOM STORAGE PANEL(C25) with Bolt(F).

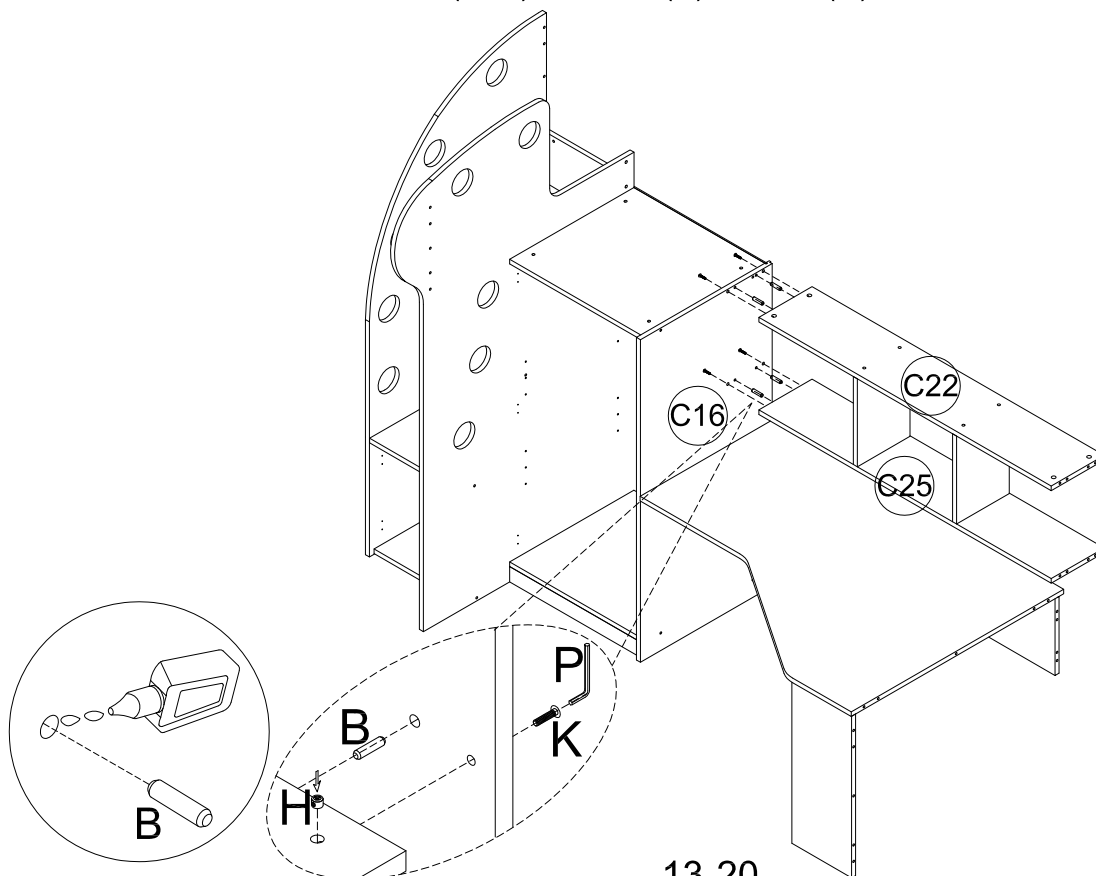


75430

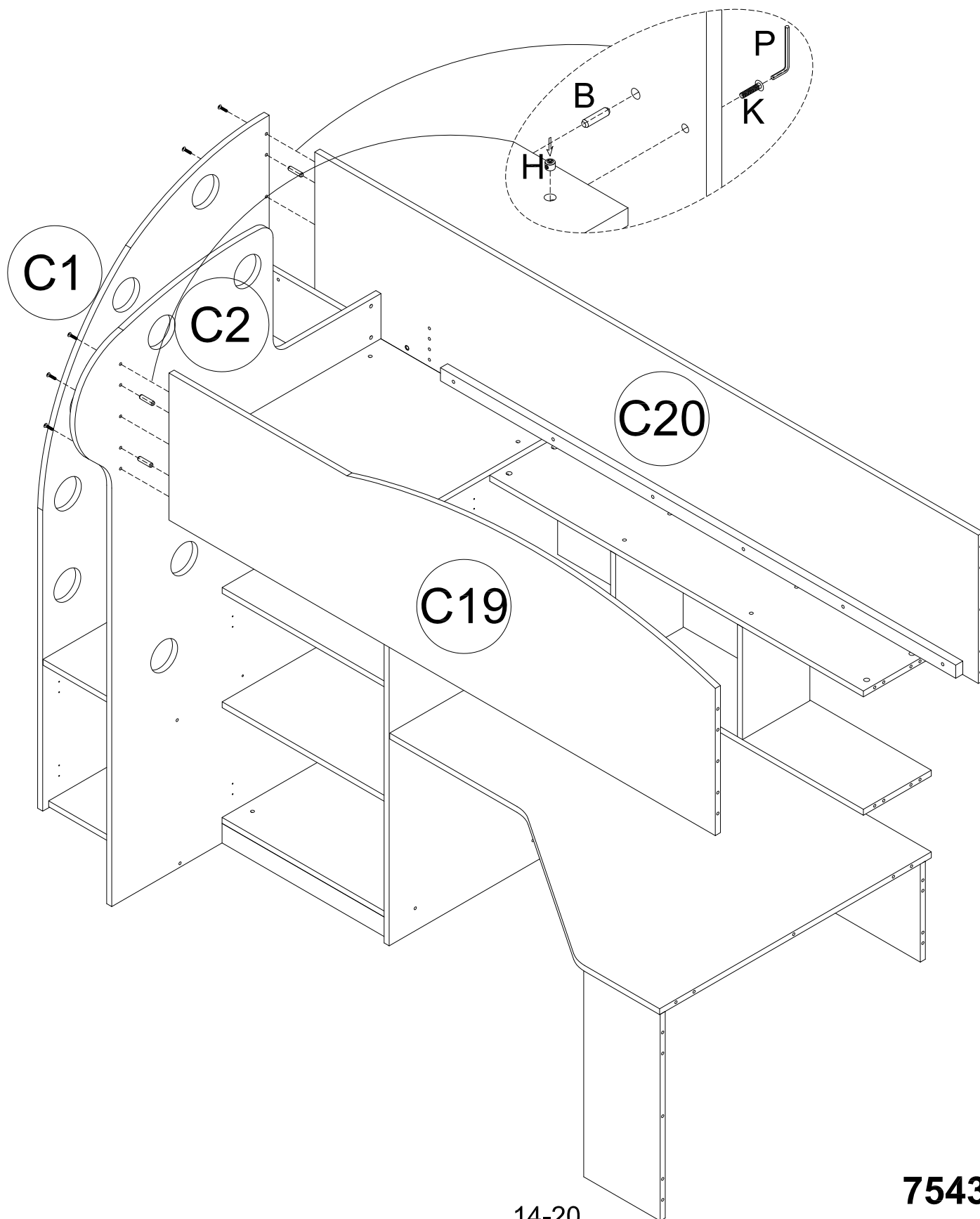
Step 13: Insert the Dowel(B) to the BACK SUPPORT PANEL (C27) and DESK TOP(C29).Use a Hex Key (P) to assemble the BACK SUPPORT PANEL (C27) to the WR-SIDE PANEL(C16) and DESK TOP(C29) with Bolt(K)and Bolt(H).Use a Phillips Head Screwdriver to turn the Cam Lock (A) to lock onto the head of Cam Pin(A).



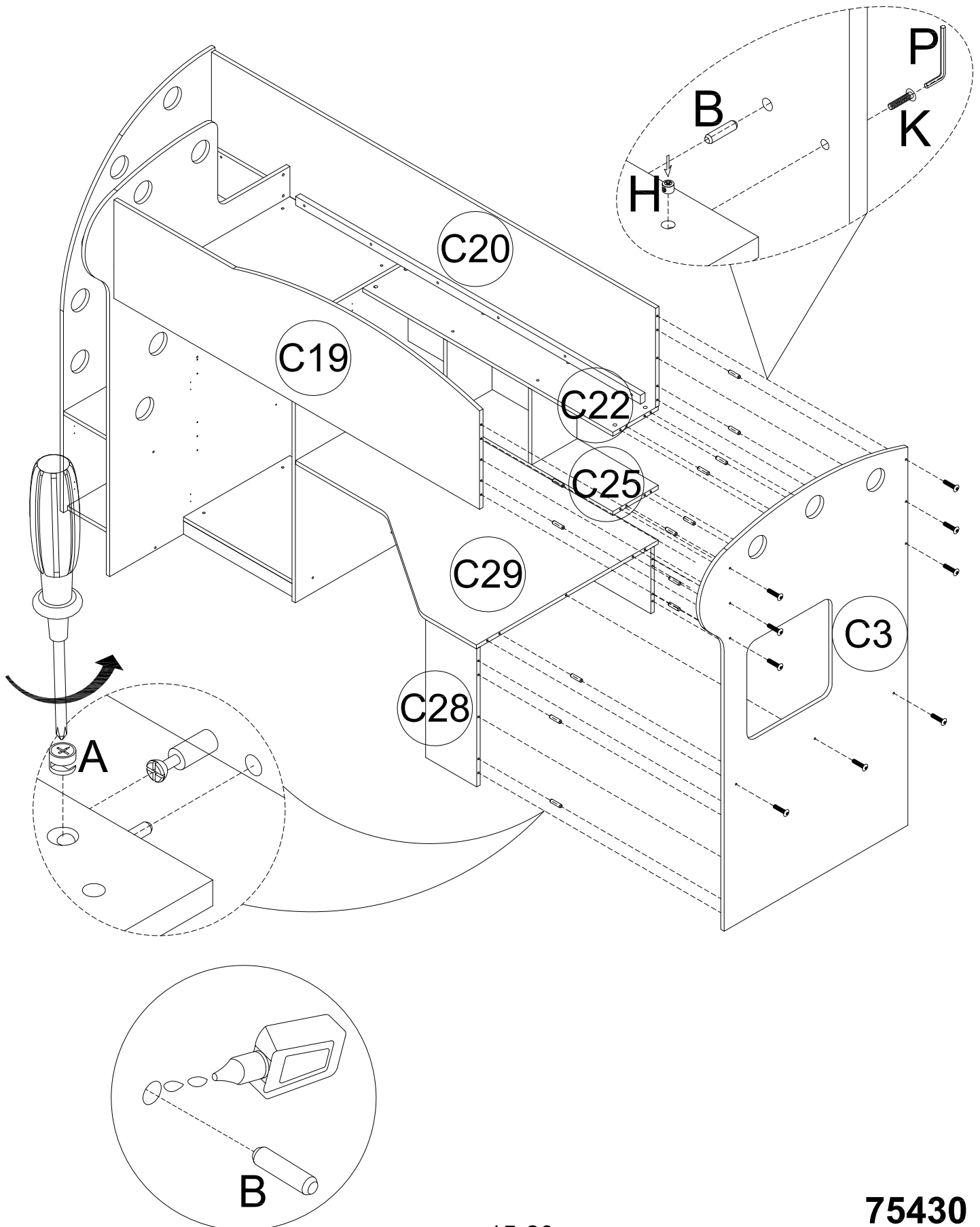
Step 14: Insert the Dowel(B) to the TOP STORAGE PANEL(C22) and BOTTOM STORAGE PANEL(C25).Use a Hex Key (P) to assemble the TOP STORAGE PANEL(C22) and BOTTOM STORAGE PANEL(C25) to the WR-SIDE PANEL(C16) with Bolt(K)and Bolt(H).



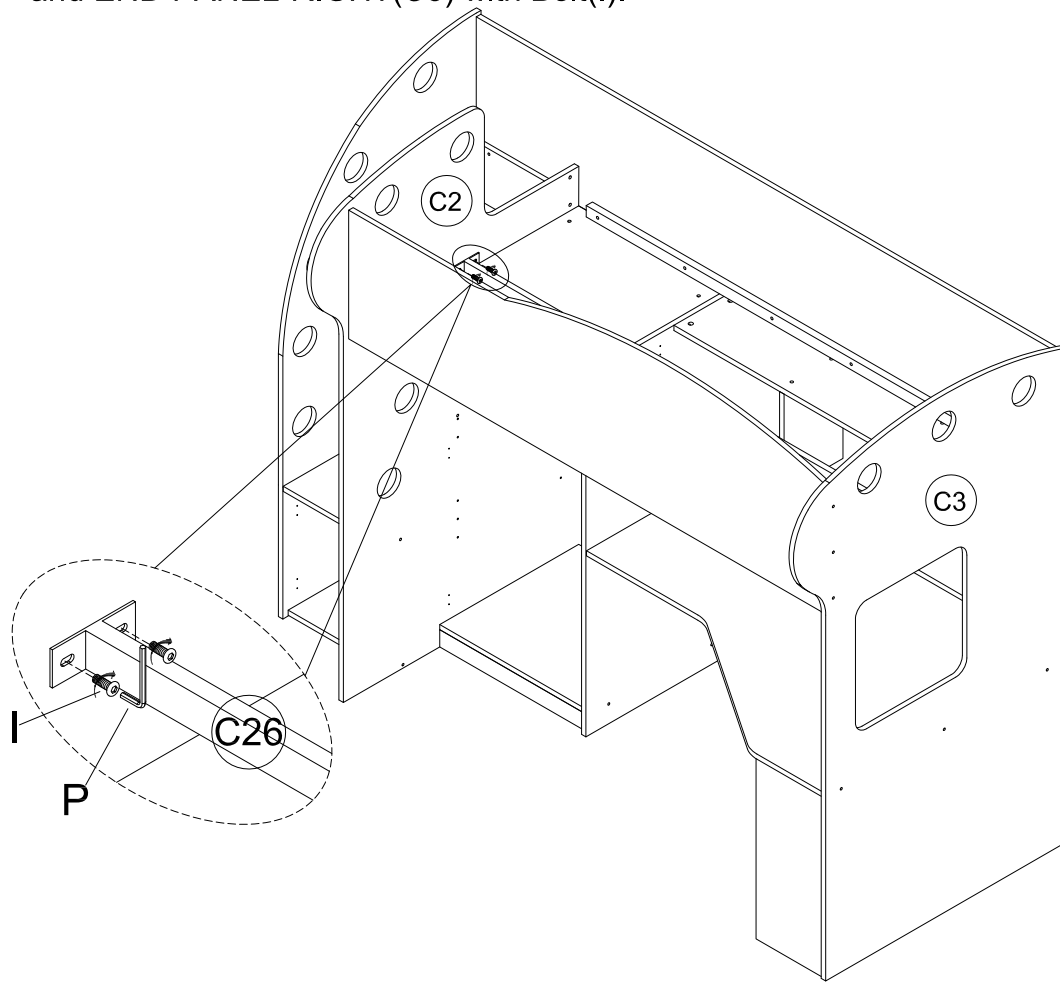
Step 15: Use a Hex Key (P) to assemble the FRONT SAFETY RAIL(C19) to the END PANEL-LEFT(C2) with Bolt(K) and Bolt(H).Use a Hex Key (P) to assemble the BACK SAFETY RAIL(C20) to the LADDER SIDE PANEL(C1) with Bolt(K) and Bolt(H). Use a Phillips Head Screwdriver to turn the Cam Lock (A) to lock onto the head of Cam Pin(A).



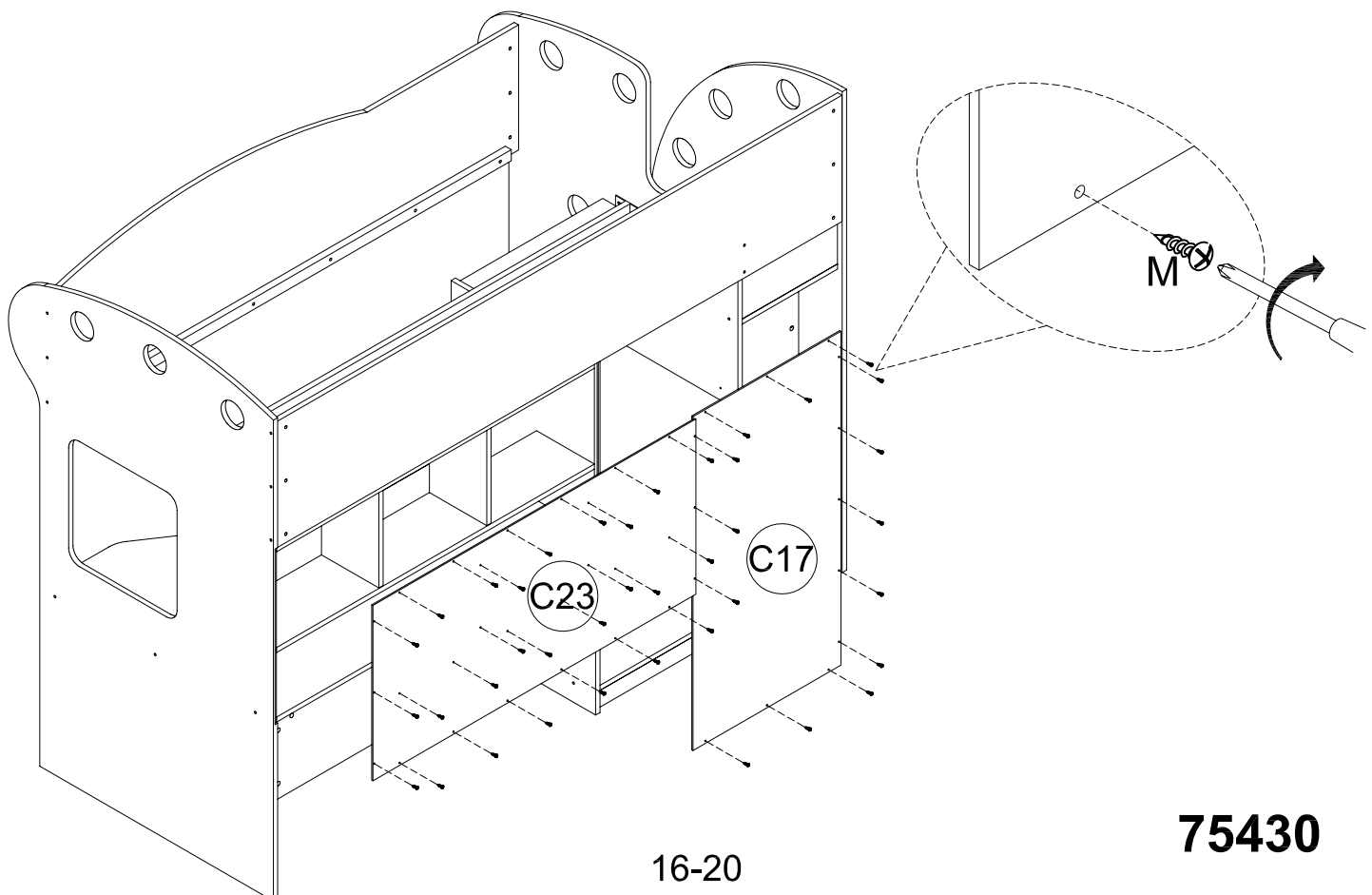
Step 16: Use a Hex Key (P) to assemble the END PANEL-RIGHT(C3) to the BACK SAFETY RAIL(C20) and TOP STORAGE PANEL(C22) and BOTTOM STORAGE PANEL(C25) and FRONT SUPPORT PANEL(C28)and DESK TOP(C29) with Bolt(K) and Bolt(H).Use a Phillips Head Screwdriver to turn the Cam Lock (A) to lock onto the head of Cam Pin(A).



Step 17: Use a Hex Key (P) to assemble the TUBE(C26) to the END PANEL-LEFT(C2) and END PANEL-RIGHT(C3) with Bolt(I).

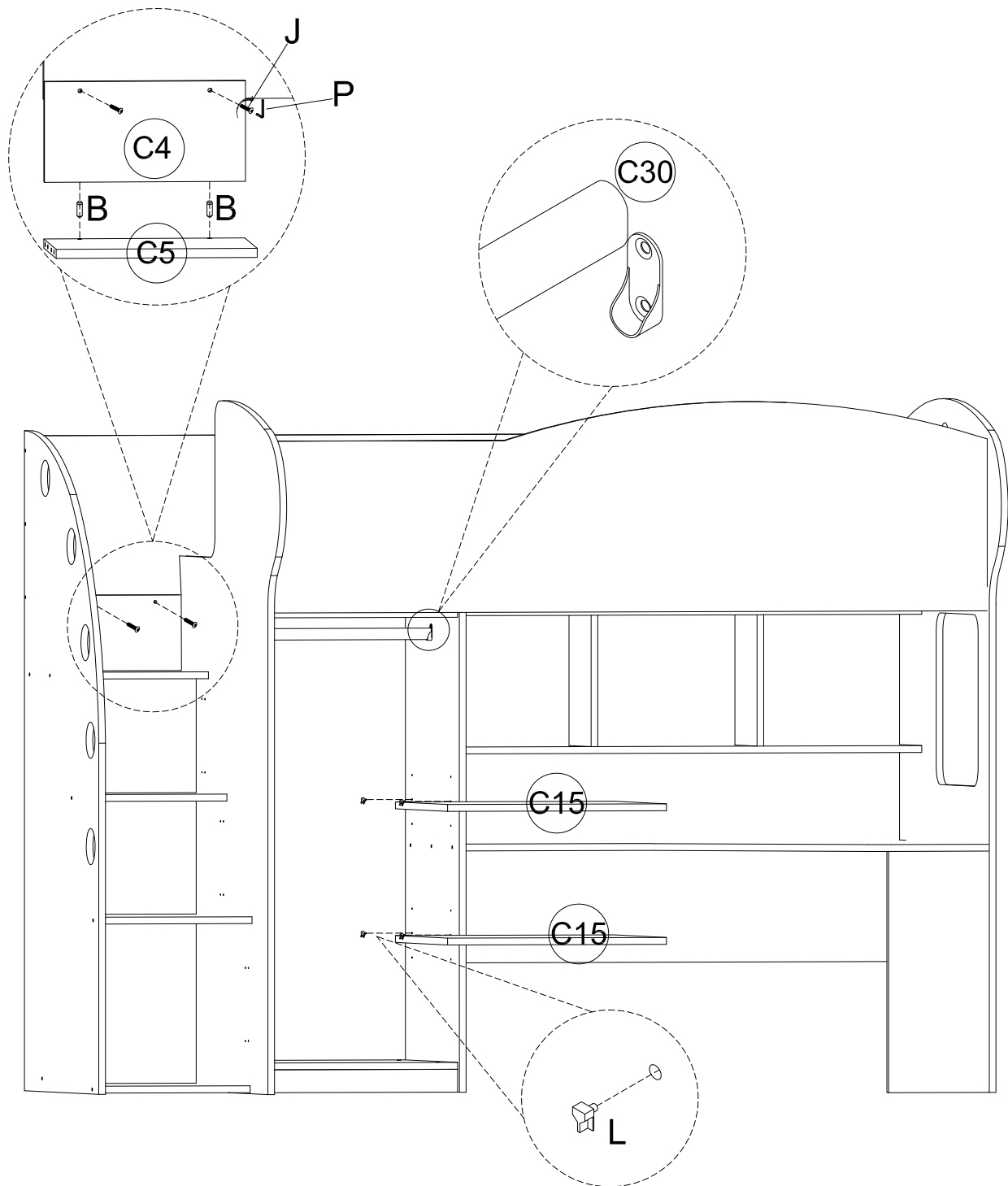


Step 18: Fix Top Back Panel (23) and Wr-Back panel (17) as shown using the Pan Screw (M). Please ensure Minifix are locked, before you assemble the Back Panel.

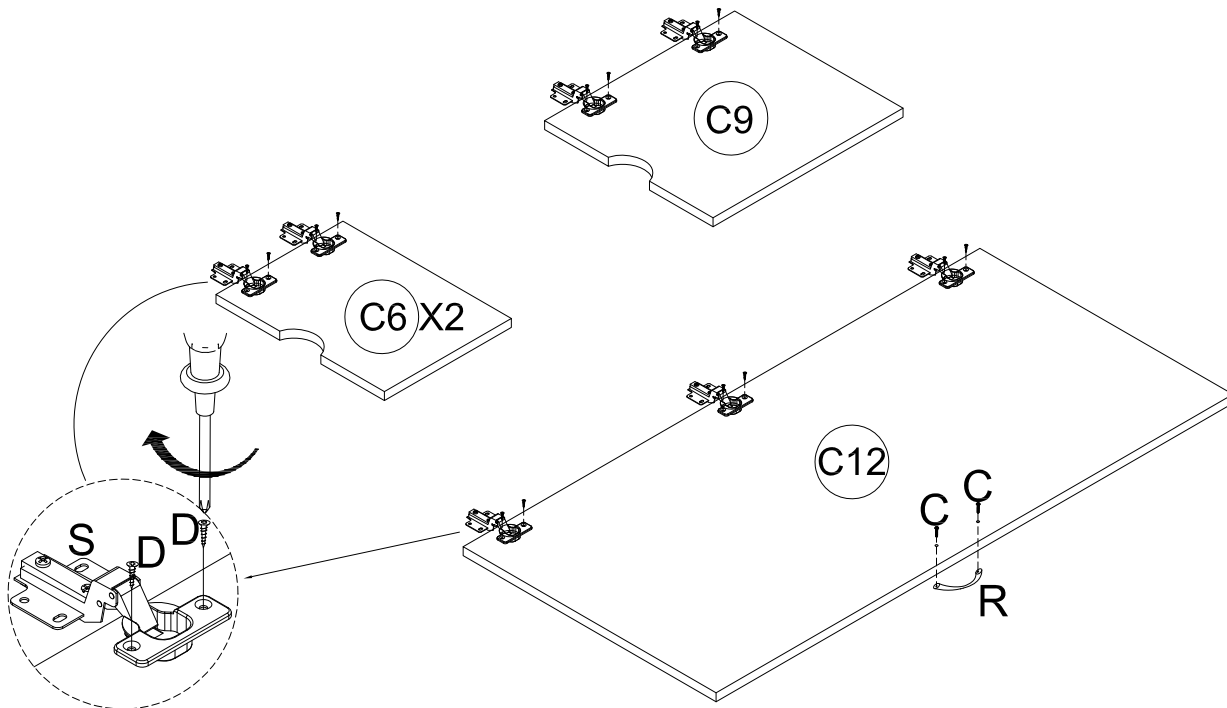




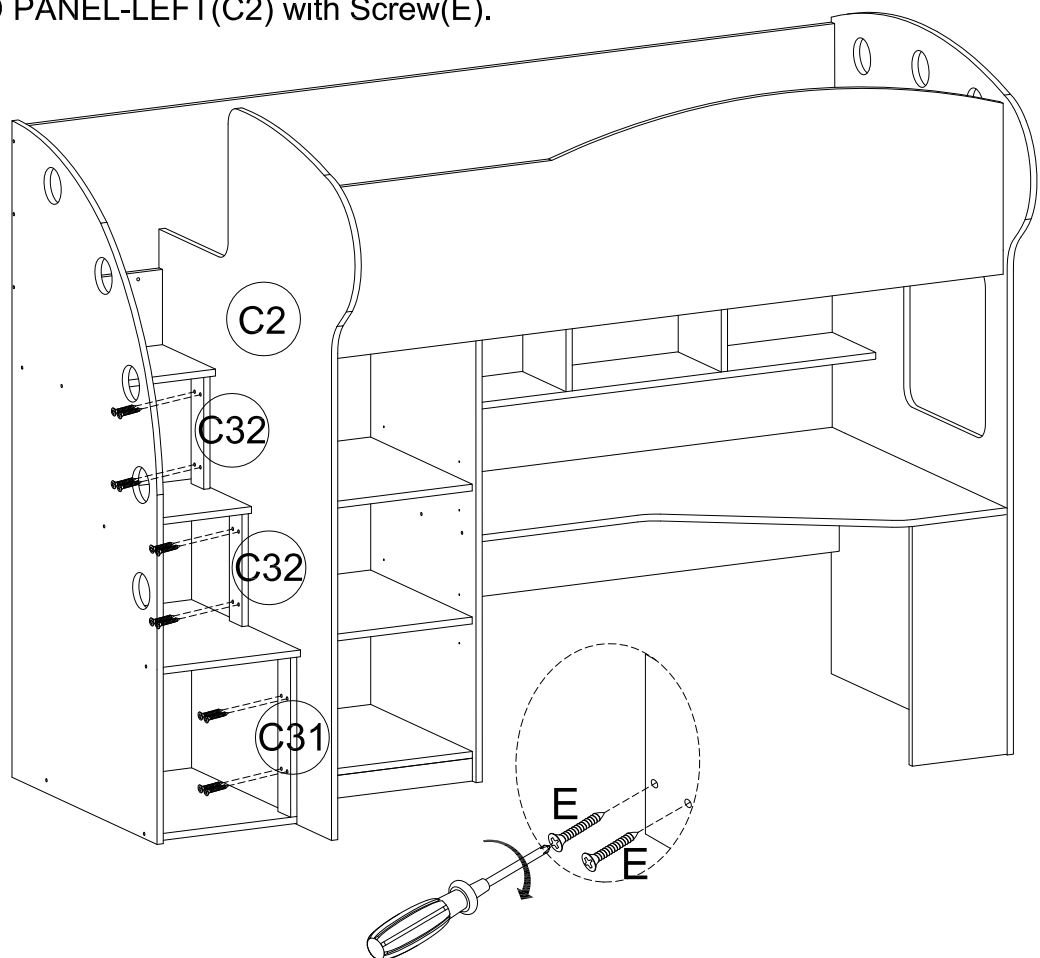
Step 19: Insert the Dowel(B) to the LADDER TOP BACK PANEL(C4).Use a Hex Key (P) to assemble the LADDER TOP BACK PANEL(C4) to the LADDER TOP PANEL 1(C5) and BACK SAFETY RAIL(C20) with Bolt(J).Place the Hanging Rod (C30) into the Bracket (N). Assemble the WR-BOTTOM PANEL(C14) and SHELF(C15) to the END PANEL-LEFT(C2)and WR-SIDE PANEL(C16) with Shelf pin(L).



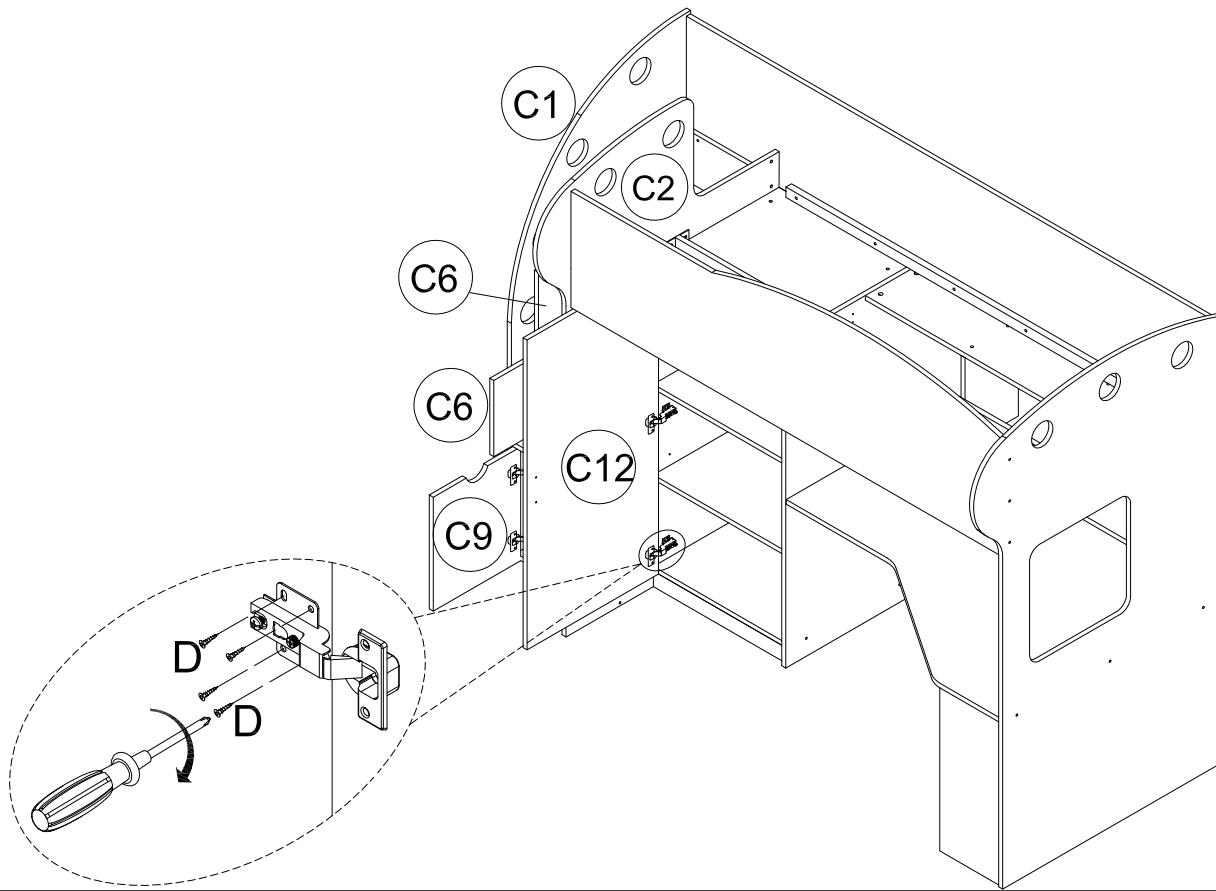
Step 20: Use a Phillips Head Screwdriver to assemble the Hinge(S)to the LADDER TOP DOOR(C6) and LADDER BOTTOM DOOR(C9) and WR-DOOR(C12) with Screw(D).Use a Phillips Head Screwdriver to assemble the Handle(R) to the WR-DOOR(C12) with Bolt(C).



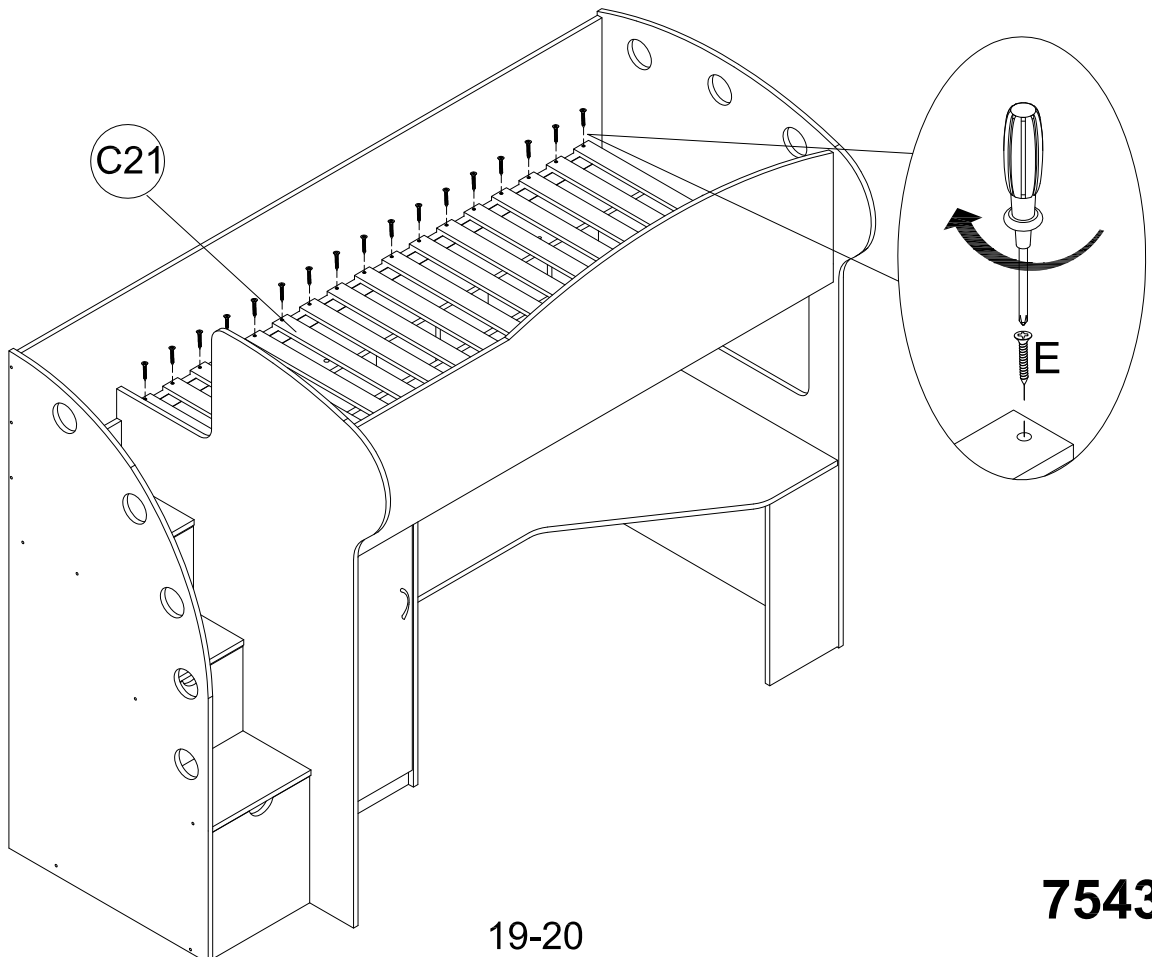
Step 21: Use a Phillips Head Screwdriver to assemble the SUPPORT PANEL(C31.C32) to the END PANEL-LEFT(C2) with Screw(E).

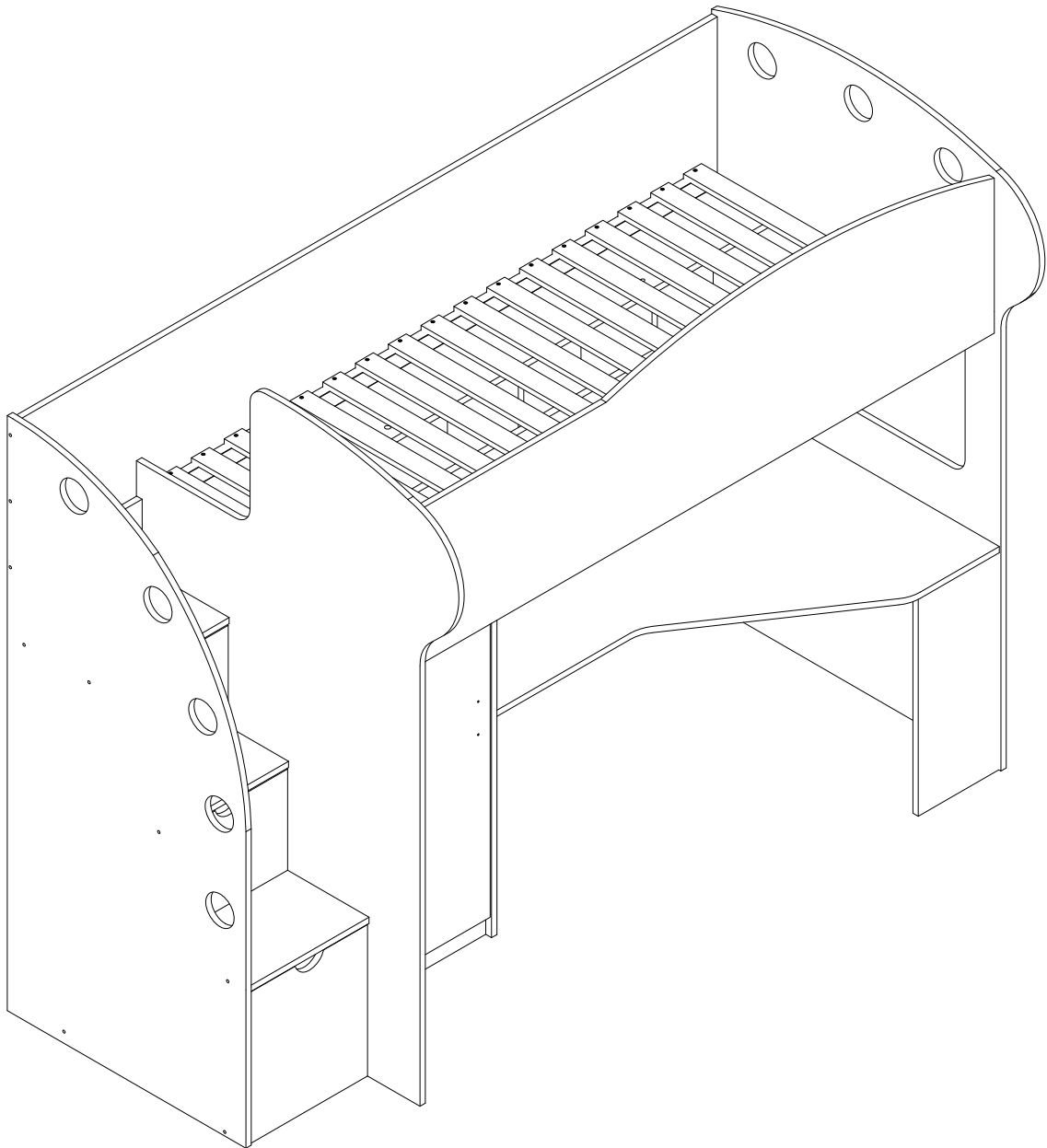


Step 22: Use a Phillips Head Screwdriver to assemble the LADDER TOP DOOR(C6)and LADDER BOTTOM DOOR(C9) to the LADDER SIDE PANEL(C1)with Screw(D). Use a Phillips Head Screwdriver to assemble the WR-DOOR(C12) to the END PANEL-LEFT(C2)with Screw(D).



Step 23: Fix Slat (C21) with Screw (E) as shown.





## PRODUCT CARE:

To protect your furniture, we suggest the following:

- Avoid placing your furniture in direct sunlight.
- Do not place furniture directly under windows.
- Do not place sharp materials (knife, fork, etc.) directly onto your furniture as sharp material may scrape and damage the finish.
- Do not place material with high temperature directly onto the surface of your furniture.
- Clean up spills quickly. Water left over a prolonged period of time may cause damage. Alcohol, perfume, nail polishes, aftershave and some medication may cause severe finish damage if not cleaned immediately.
- Use a clean, soft, dry, lint free absorbent cloth to clean your furniture. Do not use any detergent as they may contain ingredients that may react and damage the finish.
- NOTE: If the above care advise is not adhered to your product warranty may become void