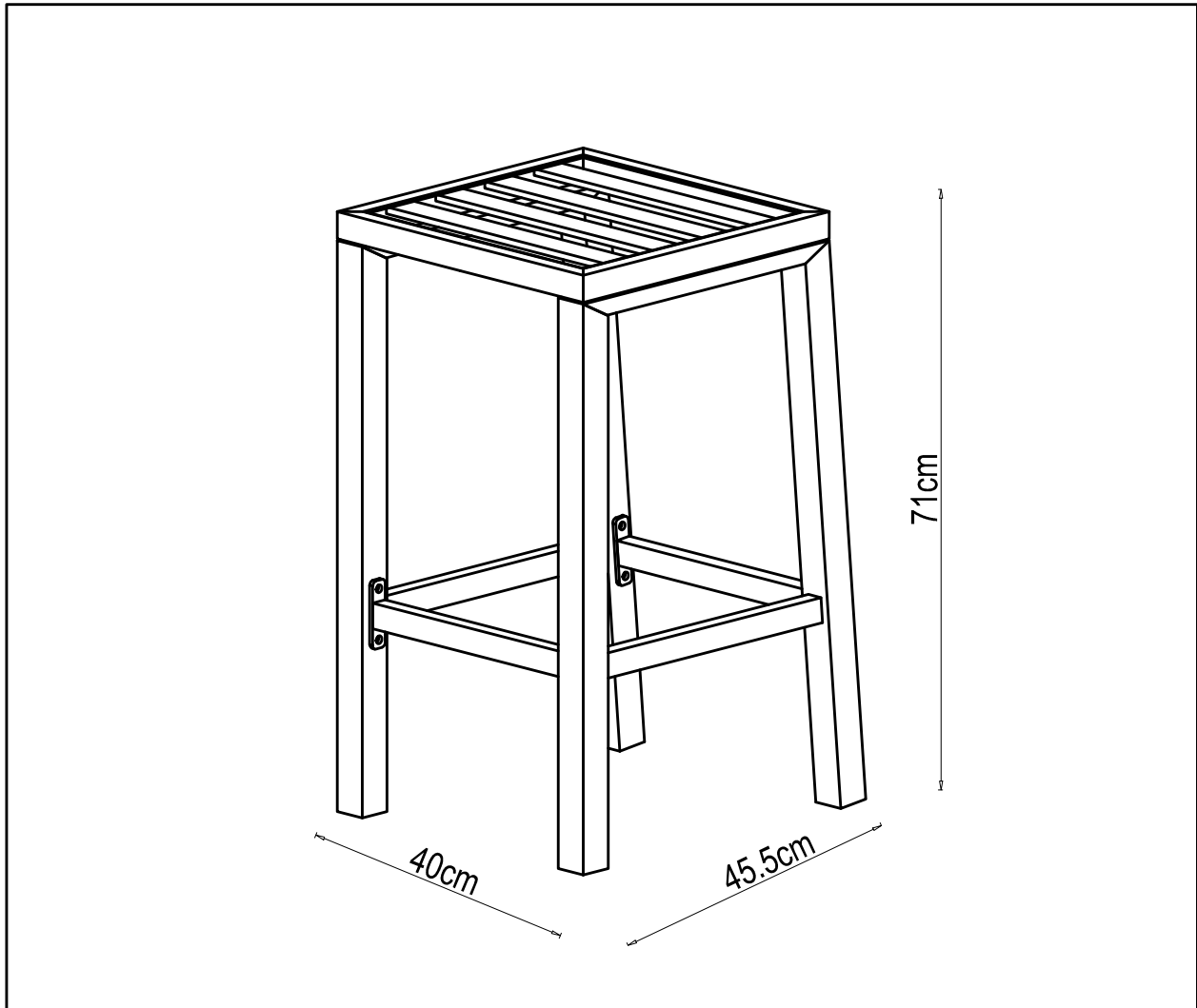




ASSEMBLY INSTRUCTION  
SAN LUCAS OUTDOOR BAR STOOL

ITEM CODE - 75220

Imported by Amart Furniture Pty Ltd, Qld, Brisbane Australia .  
For any assistance with assembly or for missing parts please phone  
Amart Furniture , Customer Service Freecall 1800 351 084


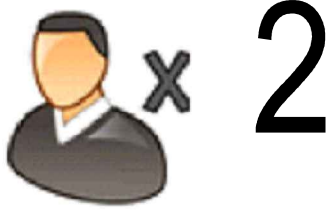


Imported by Amart Furniture Pty Ltd, Qld, Brisbane Australia .  
For any assistance with assembly or for missing parts please phone  
Amart Furniture, Customer Service Freecall 1800 351 084

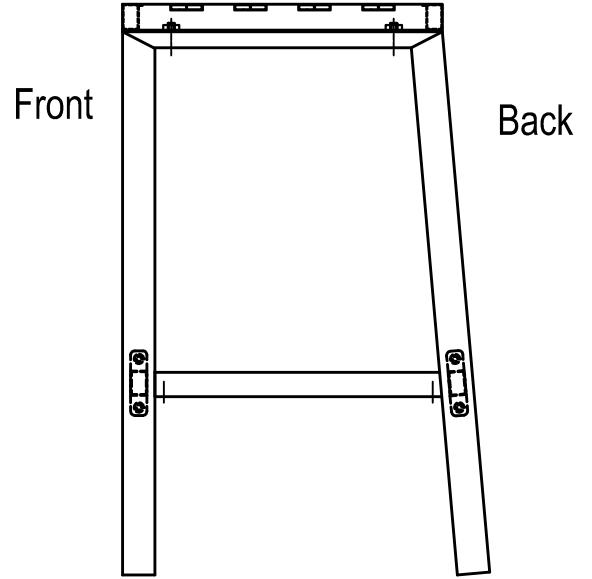
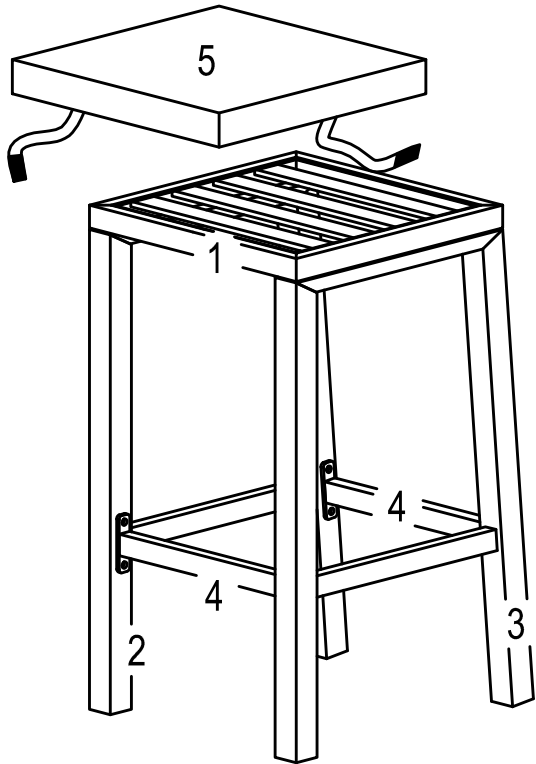
## PRE-ASSEMBLY PREPARATION


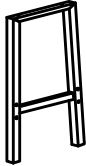
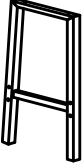
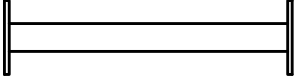
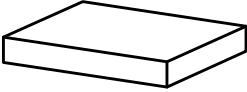
### Before you start:




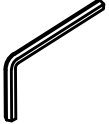
1. Choose a clean, level, spacious assembly area. Avoid hard surfaces that may damage the product.
2. Take care when lifting. Product should be assembled as near as possible to the point of use.
3. Ensure that you have all required contents for complete assembly.
4. Always read the assembly instructions carefully before beginning assembly.
5. Keep all hardware parts and packaging out of reach of small children.
6. Do not over tighten the screws and bolts as this may damage the threads.

	
ALLOW 10 MINUTES	PEOPLE REQUIRED
ADDITIONAL TOOLS REQUIRED	

# PARTS LIST


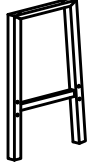



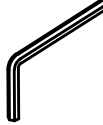


<p>1. Seat 1PC</p> 	<p>2. Leg 1PC</p> 
<p>3. Leg 1PC</p> 	<p>4. Bottom Brace 2PCS</p> 
<p>5. Cushion 1PC</p> 	

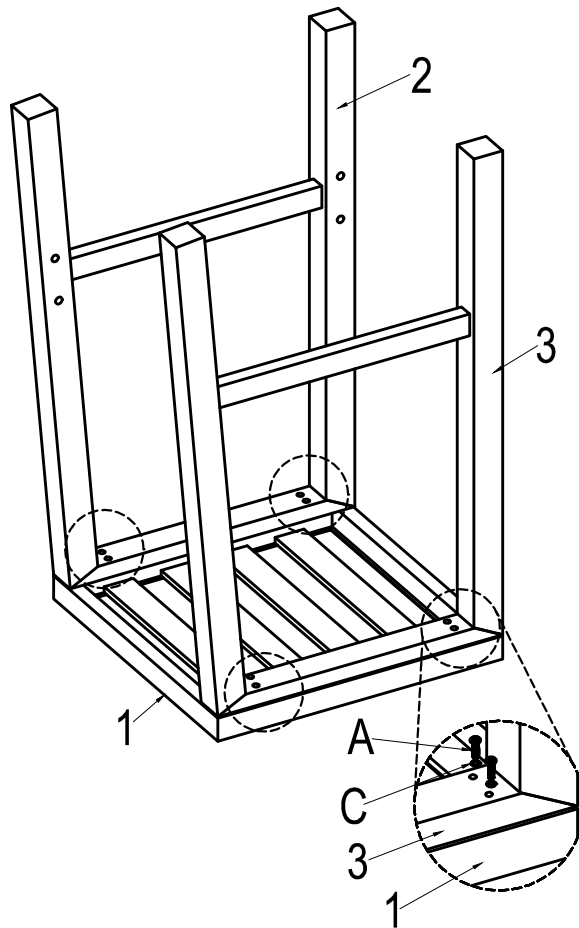
<p>A. Bolt</p>  <p>M6*32*8PC</p>	<p>B. Bolt</p>  <p>M6*20*8PCS</p>	<p>C. Washer</p>  <p>M6*16PCS</p>	<p>D. Allen Key</p>  <p>M6*1PC</p>
---	--	---	---

# Step 1:

## ITEMS REQUIRED

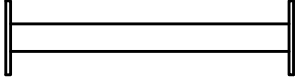


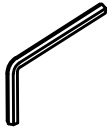
1. Seat 1PC 	2. Leg 1PC 	3. Leg 1PC 
A. Bolt  M6*35*8PCS	C. Washer  M6*8PCS	D. Allen Key  M6*1PC

- Attach leg (2) and leg (3) to seat (1) using bolt (A) with washer (C) .
- Insert all bolts before fully tightening .
- Tighten with allen key (D) .

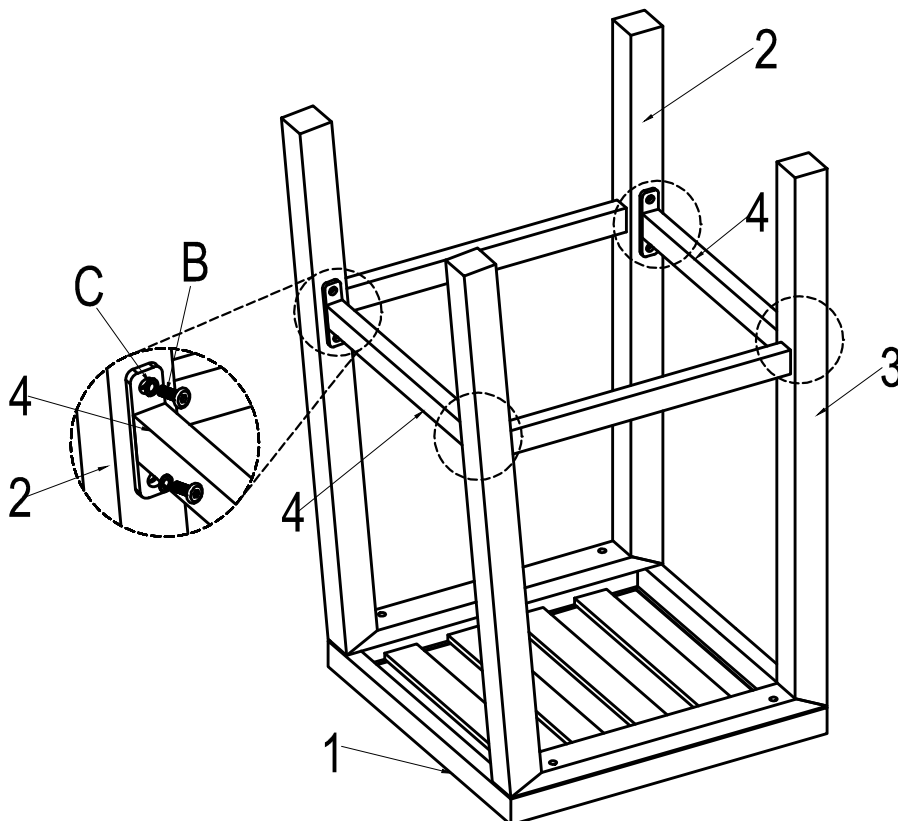


# Step 2:

## ITEMS REQUIRED

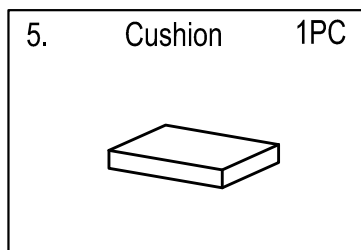
4. Bottom Brace 2PCS 		
B. Bolt  M6*20*8PCS	C. Washer  M6*8PCS	D. Allen Key  M6*1PC

- Attach bottom brace (4) to leg (2) and leg (3) using bolt (B) with washer (C) .
- Insert all bolts before fully tightening .
- Tighten with allen key (D) .

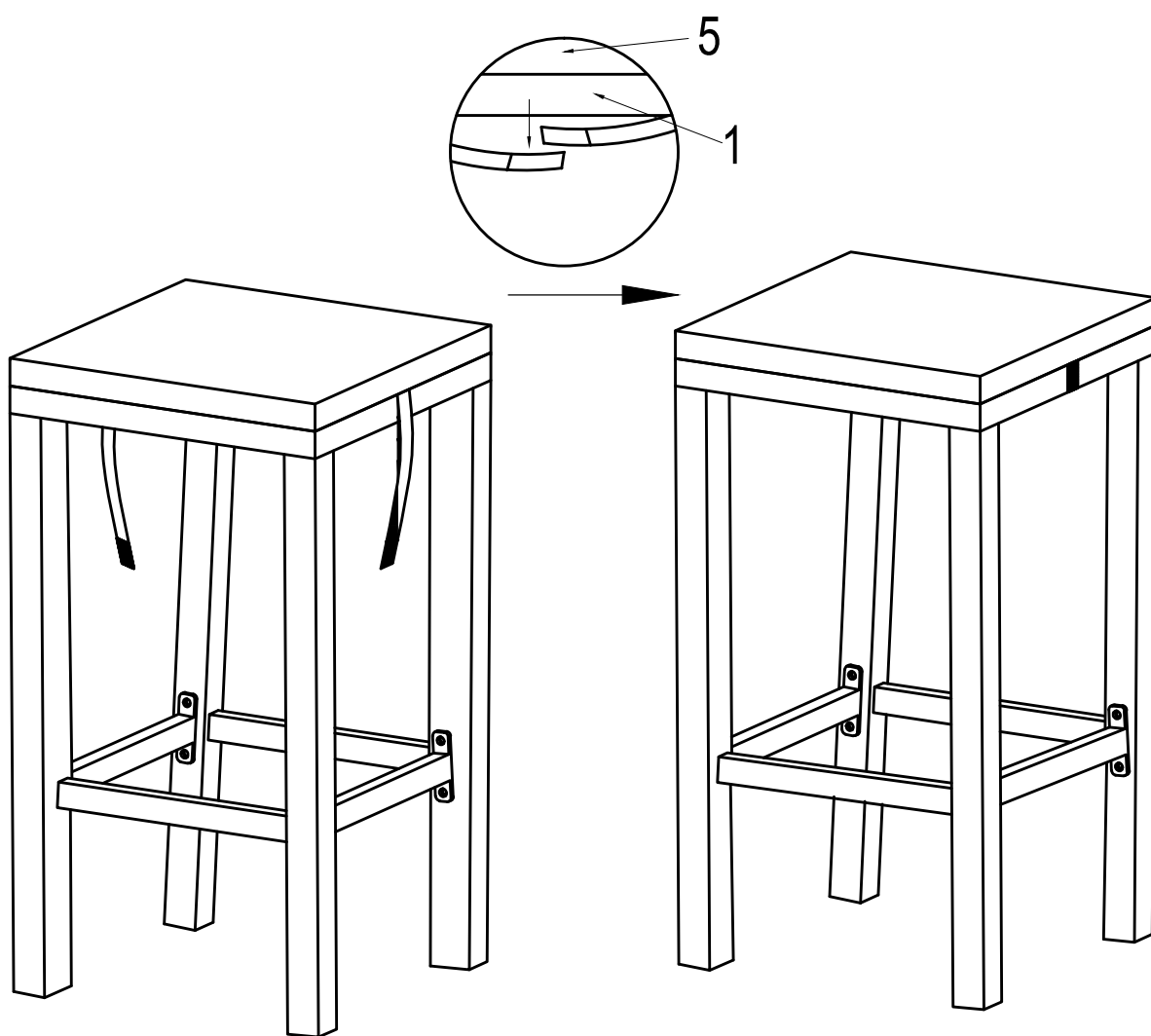


# Step 3:

## ITEMS REQUIRED

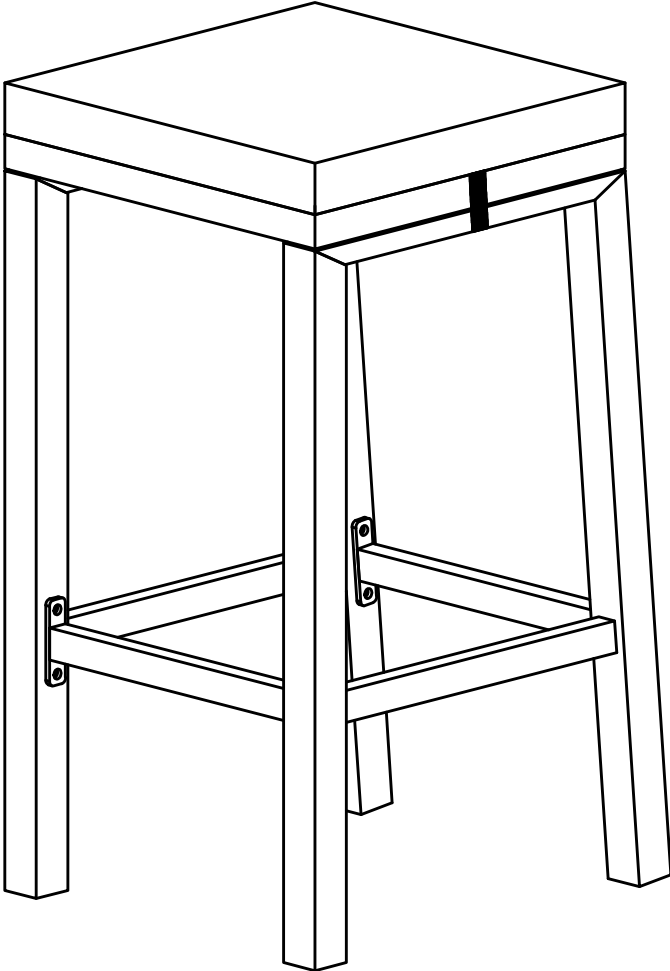


- Place cushion on seat, fasten with Velcro strap.



**ASSEMBLY IS COMPLETE**

**Front**



**Back**

# Care and maintenance



---

## Aluminium

- ☒ Item is designed for use outdoors. However we do not recommend leaving this product outside when not in use. To preserve the life of this item, avoid prolonged exposure to the elements & store inside/under cover or use an outdoor cover.
- ☒ DO NOT allow the furniture to be left in the rain or left wet for extended periods of time.
- ☒ Wipe furniture Dry immediately after it becoming wet.
- ☒ DO NOT clean your furniture down with any harsh solvents, abrasives or chemicals.
- ☒ To remove dirt and grime, simply rinse with fresh water or periodically clean using a sponge and mild detergent solution as required

## Cushions

- ☒ Direct exposure to the Sun's harmful UV rays is likely to cause rapid colour fading to fabrics. For best results we recommend avoiding exposure to direct sunlight
- ☒ To ensure product longevity it is recommended outdoor products are not left permanently exposed to the elements
- ☒ Spot clean using mild detergent and damp cloth. Dry flat in shade
- ☒ Do not unzip
- ☒ Do not put in washing machine
- ☒ Do not tumble dry
- ☒ Do not bleach
- ☒ Do not dry clean
- ☒ Cool iron only