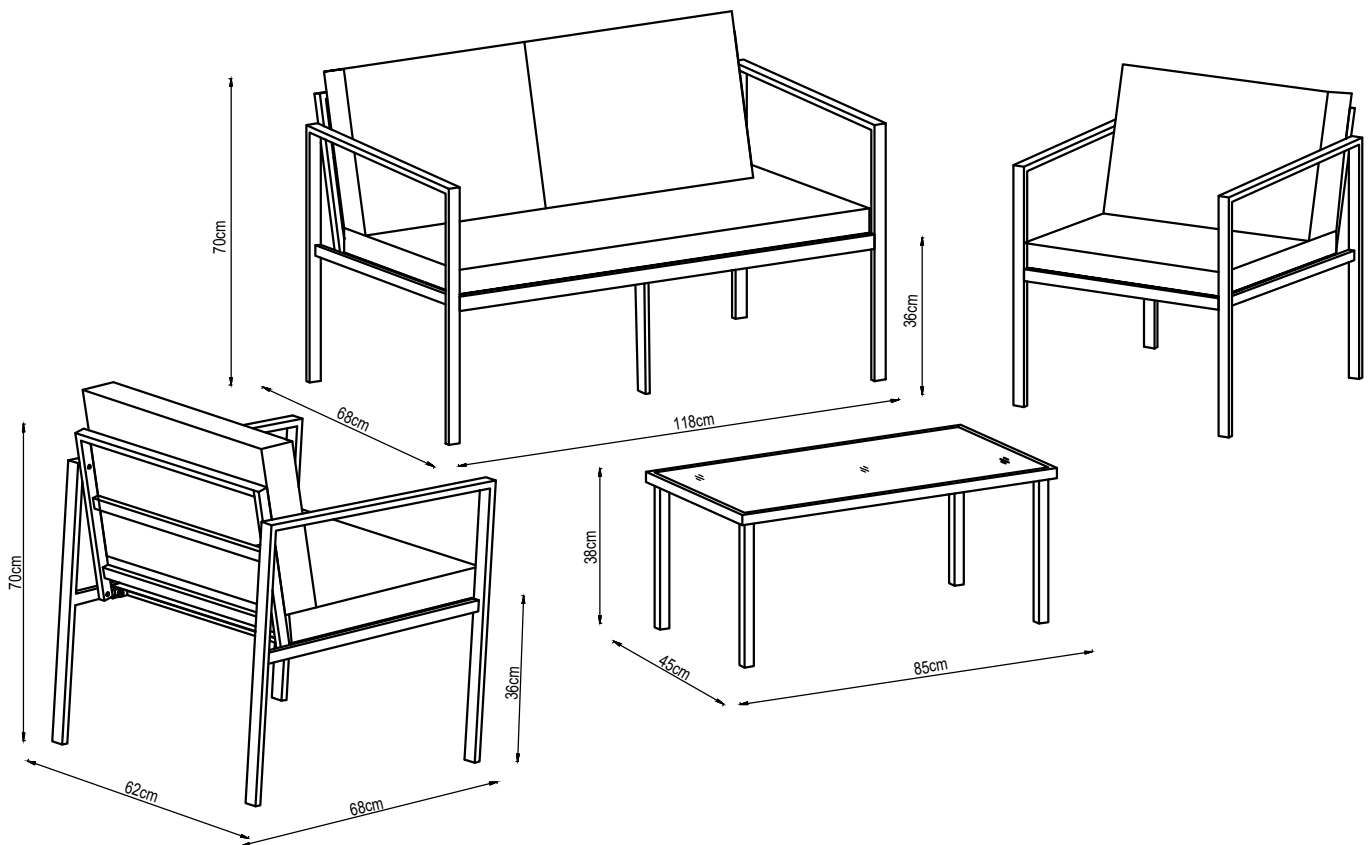


ASSEMBLY INSTRUCTIONS

RICCIO

4PC Outdoor Lounge Setting

ITEM CODE 82929






Imported by JWA Furniture Pty Ltd, Brisbane, QLD, Australia
For any assistance with assembly or for missing parts, please refer to your receipt

PRE-ASSEMBLY PREPARATION

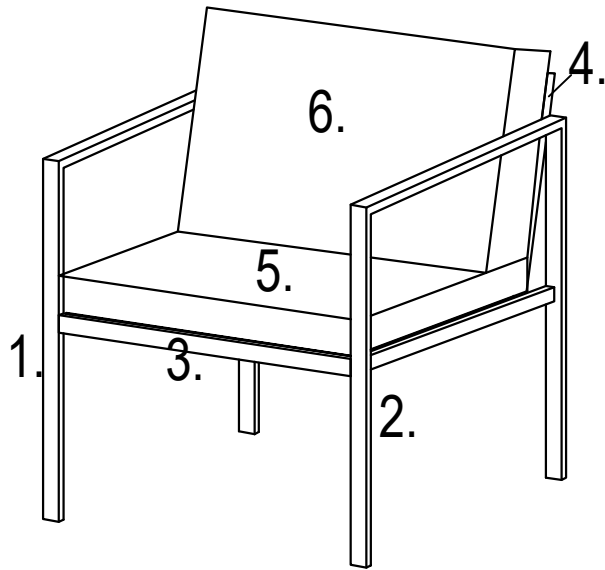
Before you start:

1. Choose a clean, level, spacious assembly area. Avoid hard surfaces that may damage the product
2. Take care when lifting. Product should be assembled as near as possible to the point of use
3. Ensure that you have all required contents for complete assembly
4. Always read the assembly instructions carefully before beginning assembly.
5. Keep all hardware parts and packaging out of reach of small children.
6. Do not over tighten the screws and bolts as this may damage the threads
7. Assembly is to be carried out by a competent adult(s) ONLY
8. During assembly, children should be kept away from the product due to possible risk to injury.
9. Do not use this item if any components are missing or damaged.
10. Please keep the instructions for future reference.

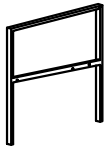
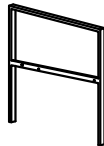

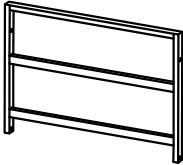
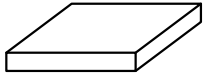
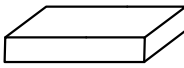
		
Allow 60min	For 2 person	You will need a tape measure.



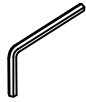
PARTS LIST

Single chair



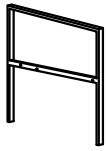
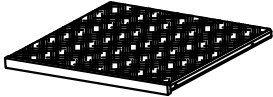
X2



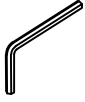
<p>1. Right arm</p>  <p>2pcs</p>	<p>2. Left arm</p>  <p>2pcs</p>
<p>3. Seat</p>  <p>2pcs</p>	<p>4. Backrest</p>  <p>2pcs</p>
<p>5. Seat Cushion</p>  <p>2pcs</p>	<p>6. Back cushion</p>  <p>2pcs</p>

<p>A. Bolt</p>  <p>M6*30 10pcs</p>	<p>C. Washer</p>  <p>10pcs</p>	<p>D. Allen Key</p>  <p>M6 1pc</p>
---	---	---

Part A: Single Sofa

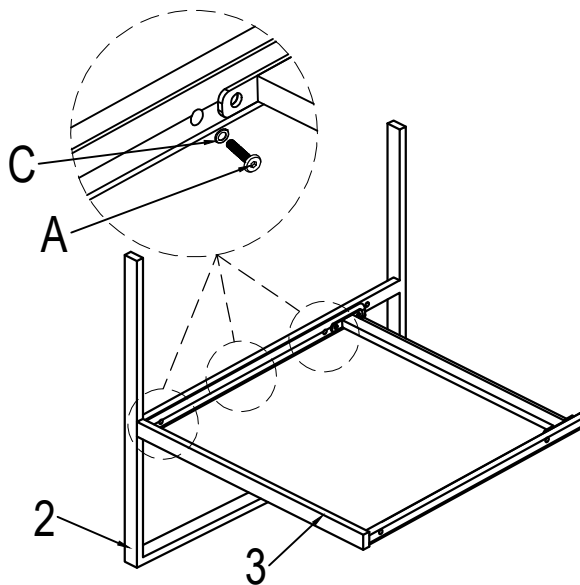
You will need the following

2. Left arm  1pc	3. Seat  1pc
---	--

A. Bolt  M6*30mm 3pcs	C. Washer  3pcs	D. Allen Key  M6 1pc
--	--	---

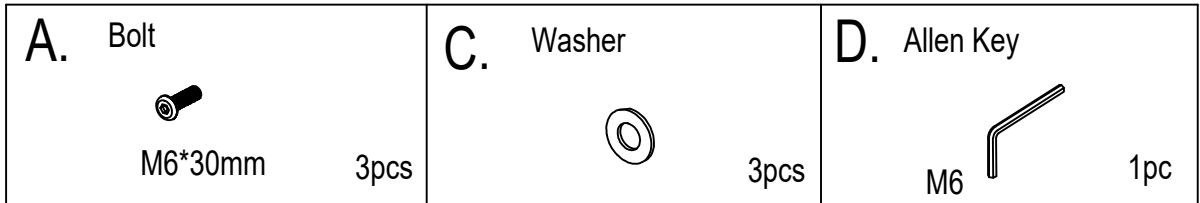
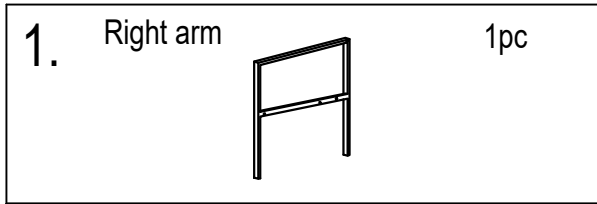
Step 1.

- Attach Left arm(2) to the Seat(3) using bolts(A) with washer(C)
- Insert all bolts before fully tightening.
- Tighten with allen key (D)



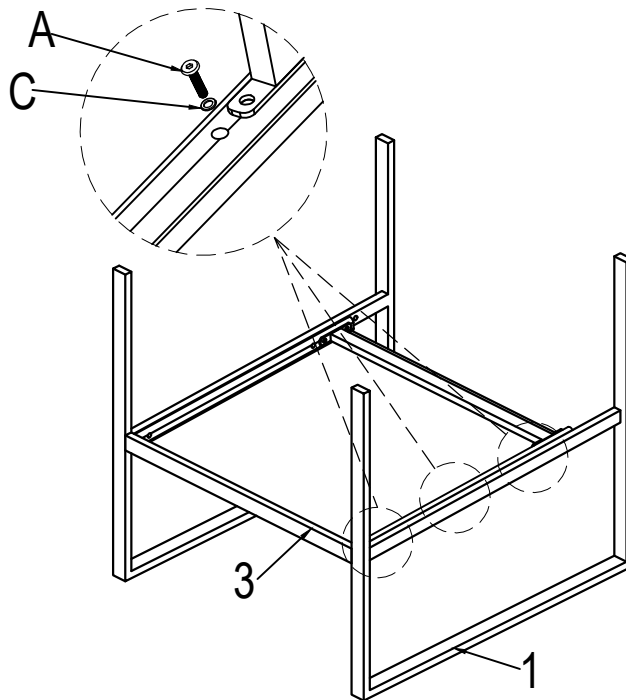
Part A: Single Sofa

You will need the following



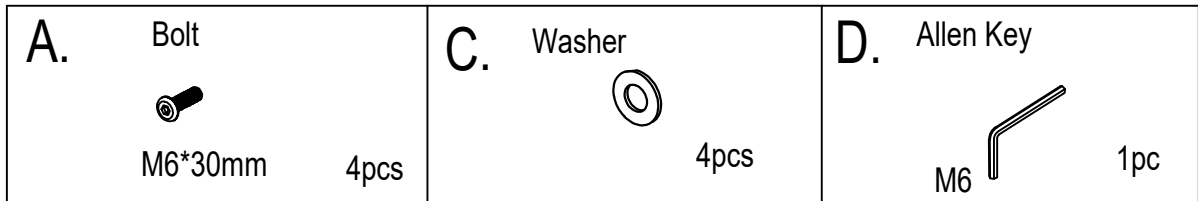
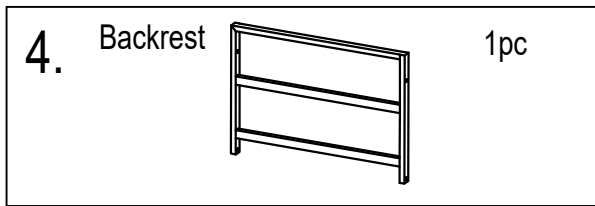
Step 2.

- Attach Right arm(1) to the Seat(3) using bolts(A) with washer(C)
- Insert all bolts before fully tightening.
- Tighten with allen key (D)



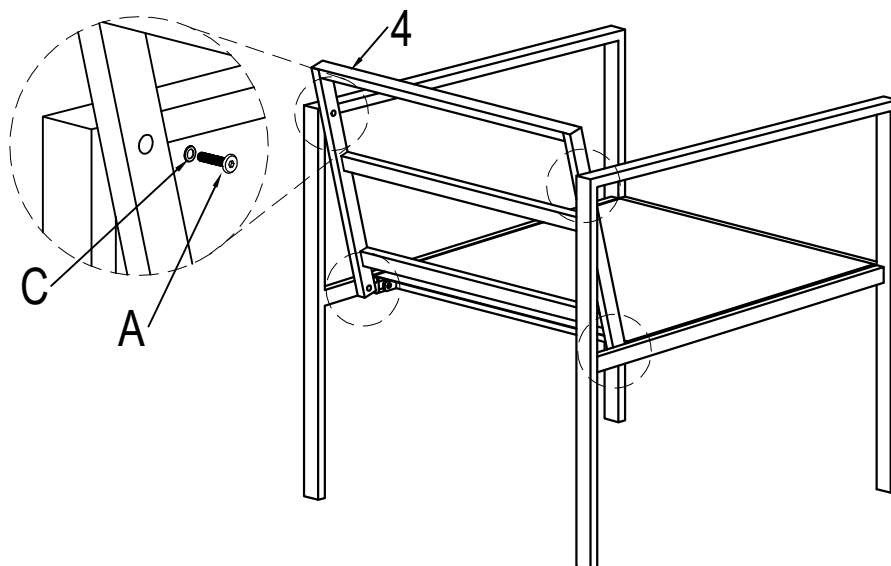
Part A: Single Sofa

You will need the following




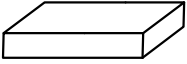
Step 3.

- Attache the Backrest (4) to left arm(2) and right arm(1) using bolt(A) with washer (C) .
- Insert all bolts before fully tightening.
- Tighten with allen key (D)



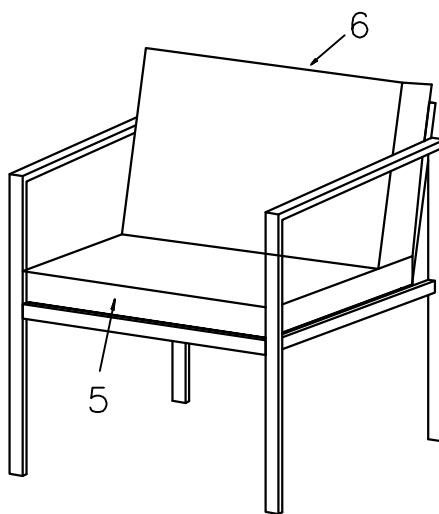
Part A: Single Sofa

You will need the following

<p>5. Seat Cushion</p> <p>1pc</p> 	<p>6. Back cushion</p> <p>1pc</p> 
---	---

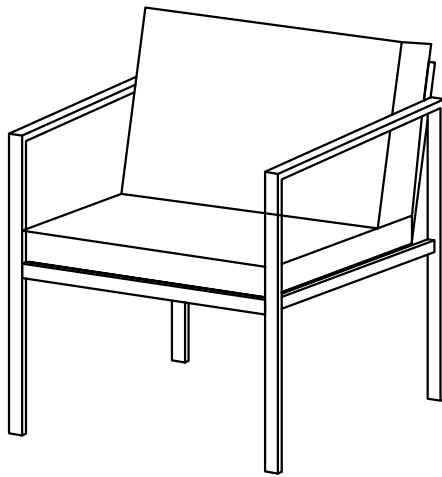
Step 4.

- Put the seat cushion (5) and back cushion (6).



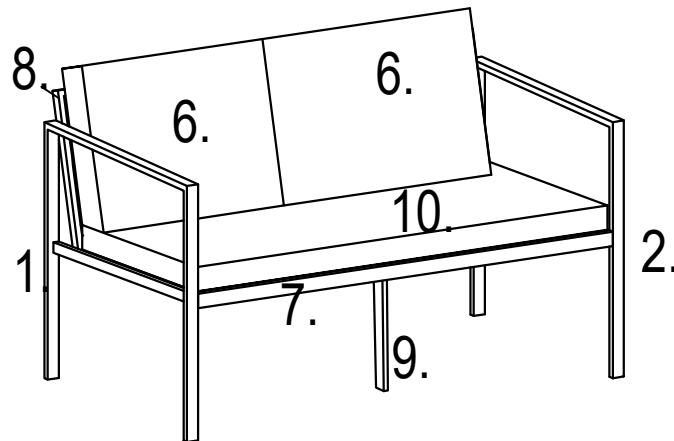
Part A: Single Sofa

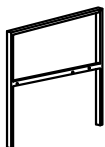
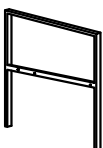
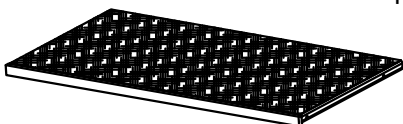
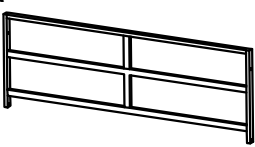
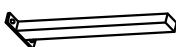
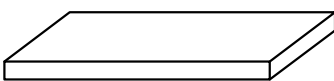
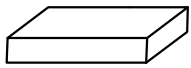
Assembly is complete







PARTS LIST

2 Seater Sofa

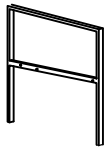
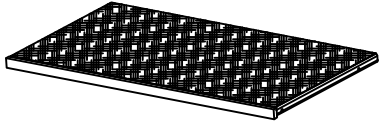





<p>1. Right arm 1pc</p> 	<p>2. Left arm 1pc</p> 
<p>7. Seat 1pc</p> 	<p>8. Backrest 1pc</p> 
<p>9. Middle leg 1pc</p> 	<p>10. Seat Cushion 1pc</p> 
<p>6. Back cushion 2pcs</p> 	

<p>A. Bolt  M6*30mm 10pcs</p>	<p>B. Bolt  M6*15mm 2pcs</p>	<p>C. Washer  12pcs</p>	<p>D. Allen Key  M6 1pc</p>
--	---	--	--

Part B: 2 Seater Sofa

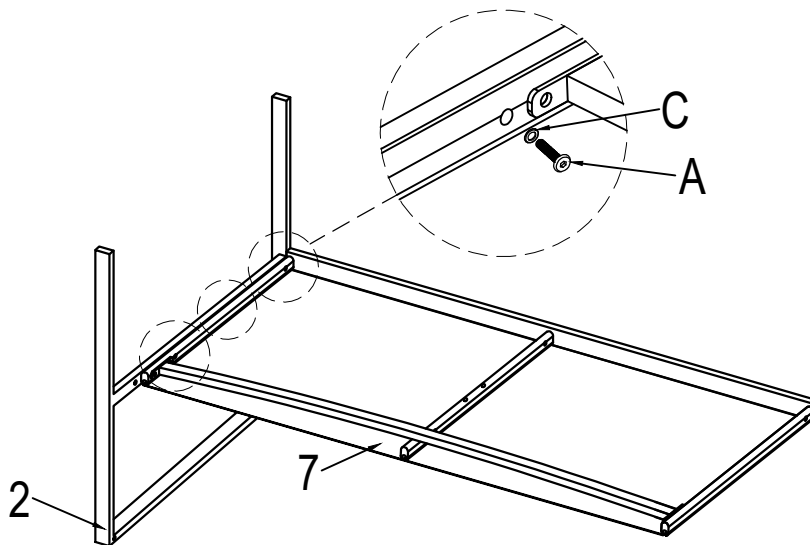
You will need the following

2. Left arm		1pc	7. Seat		1pc
-------------	---	-----	---------	--	-----

A. Bolt	C. Washer	D. Allen Key
		
M6*30mm 3pcs	3pcs	M6 1pc

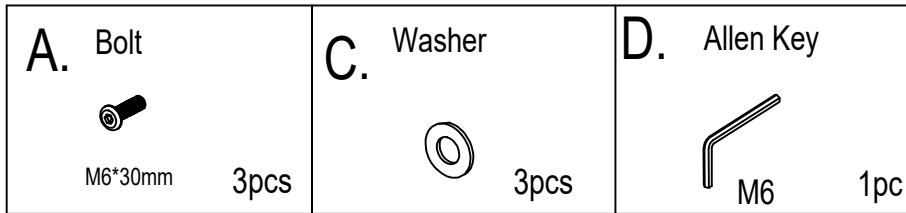
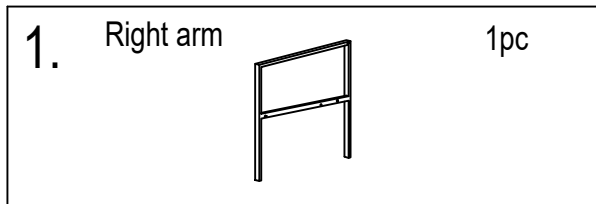
Step 1.

- Attach Left arm(2) to the Seat (7) using bolts(A) with washer(C)
- Insert all bolts before fully tightening.
- Tighten with allen key (D)



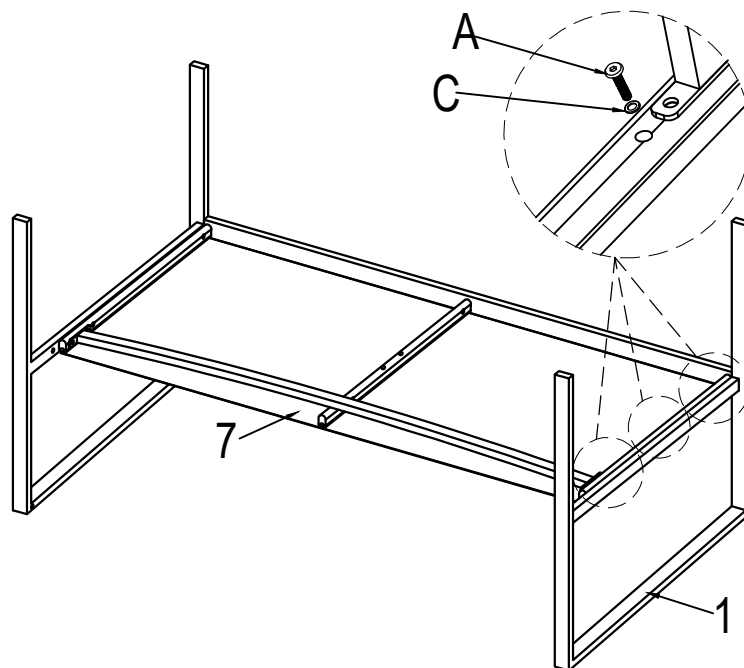
Part B: 2 Seater Sofa

You will need the following



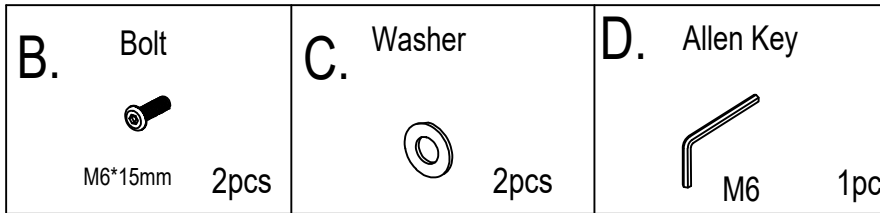
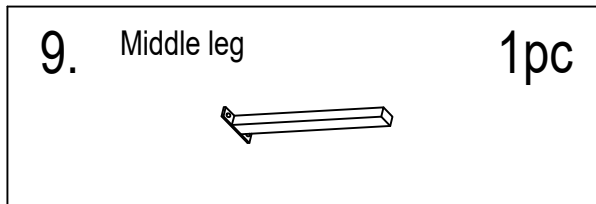
Step 2.

- Attach Right arm(1) to the Seat (7) using bolts(A) with washer(C)
- Insert all bolts before fully tightening.
- Tighten with allen key (D)



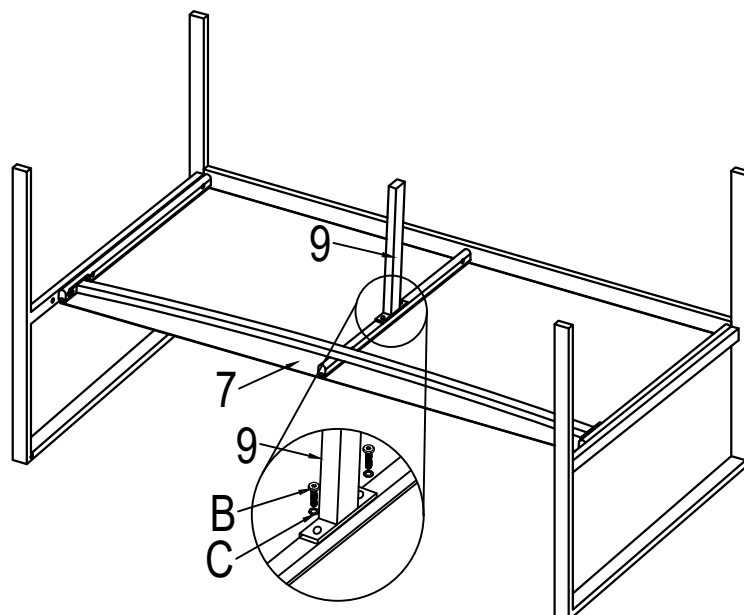
Part B: 2 Seater Sofa

You will need the following



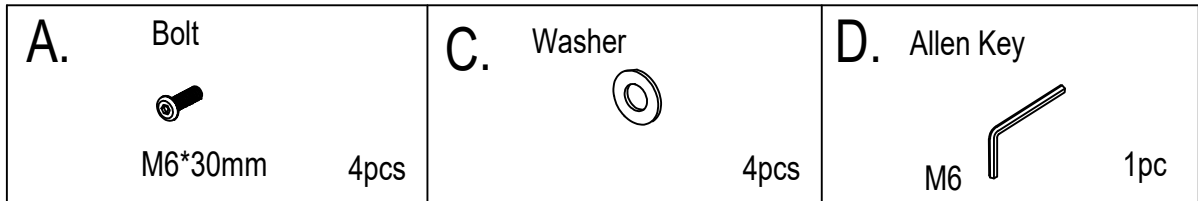
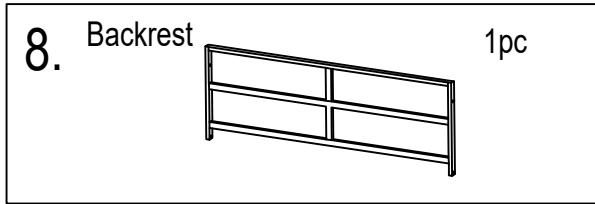
Step 2.

- Attach Middle leg(9) to the Seat(7) using bolts(B) with washer(C)
- Insert all bolts before fully tightening.
- Tighten with allen key (D)



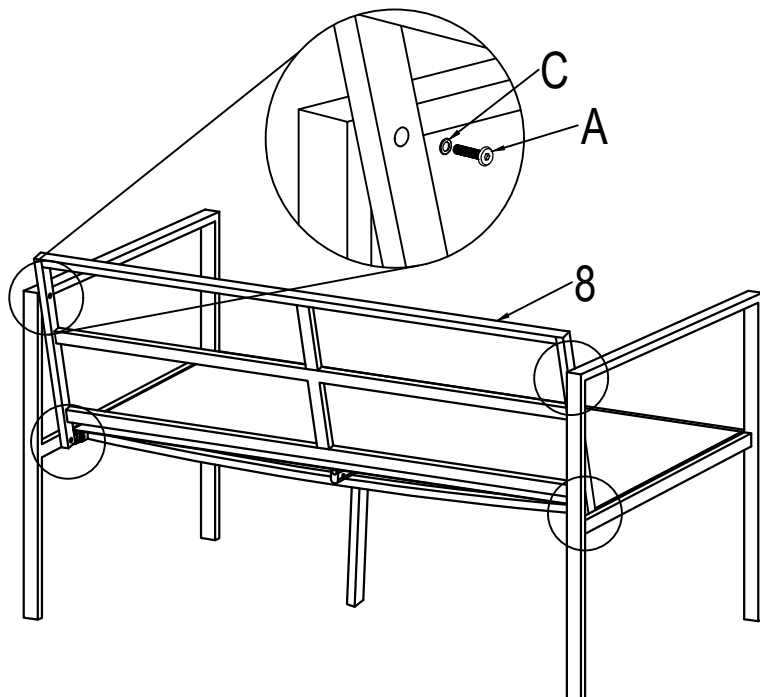
Part B: 2 Seater Sofa

You will need the following



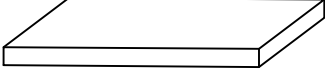
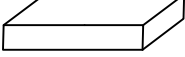
Step 3.

- Attach the Backrest (8) to left arm(2) and right arm(1) using
- bolt(A) with washer (C).
- Insert all bolts before fully tightening.
- Tighten with allen key (D)



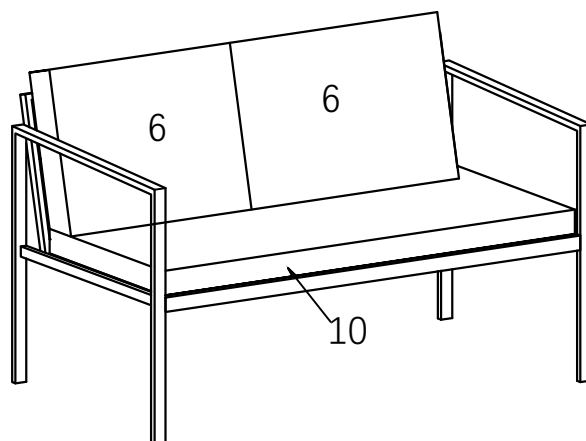
Part B: 2 Seater Sofa

You will need the following

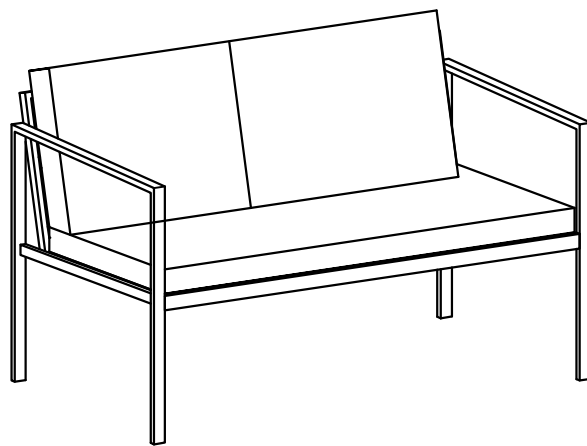
10. Seat Cushion  1pc	6. Back cushion  2pcs
--	--

Step 4.

- Put the seat cushion (10) and back cushion (6) .

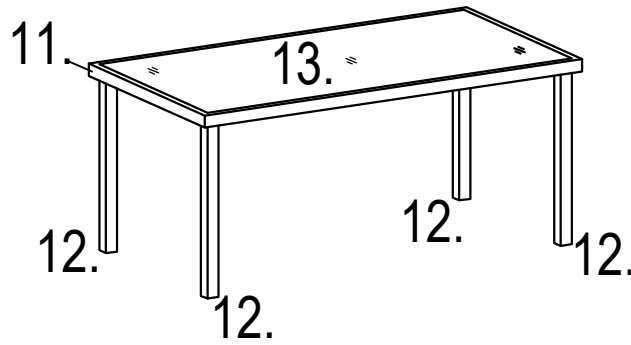


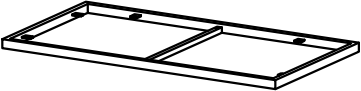
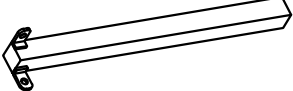

Assembly is complete



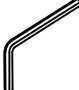


PARTS LIST

Table

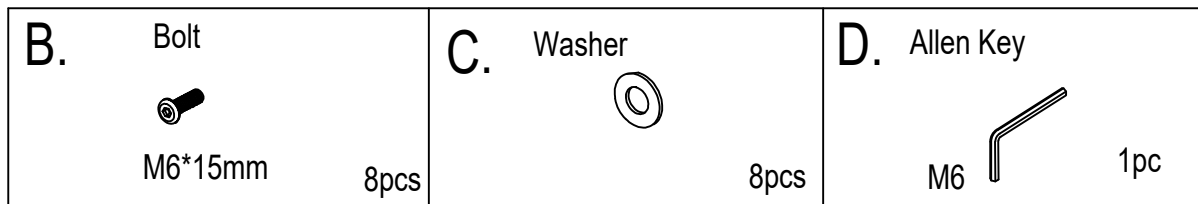
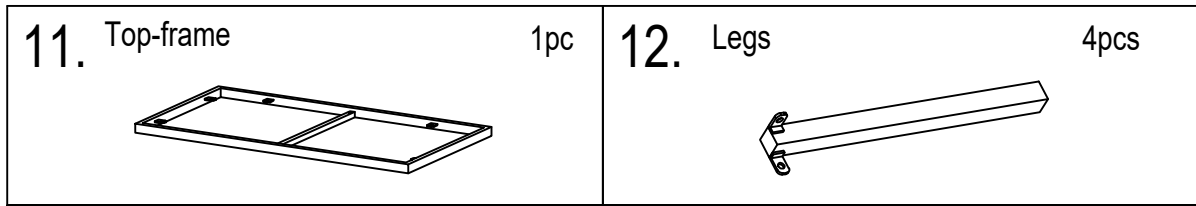


<p>11. Top-frame 1pc</p> 	<p>12. Legs 4pcs</p> 
<p>13. Glass 1pc</p> 	

<p>B. Bolt</p>  <p>M6*15mm 8pcs</p>	<p>C. Washer</p>  <p>8pcs</p>	<p>D. Allen Key</p>  <p>M6 1pc</p>
---	---	--

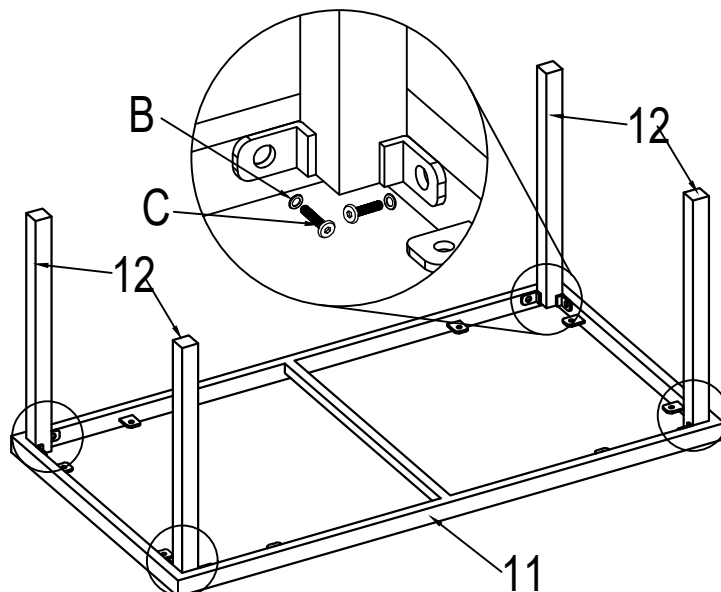
Part C: Table

You will need the following



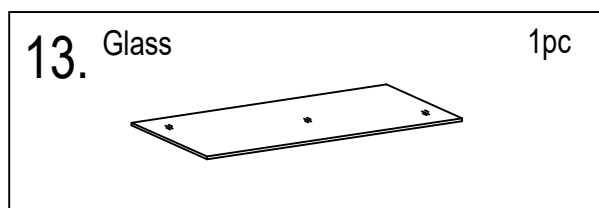
Step 1.

- Attach one of the legs(12) to the Top-frame(11) using bolts(B) with washer(C)
- Insert all bolts before fully tightening.
- Tighten with allen key (D)
- Repeat for the other 3 legs.



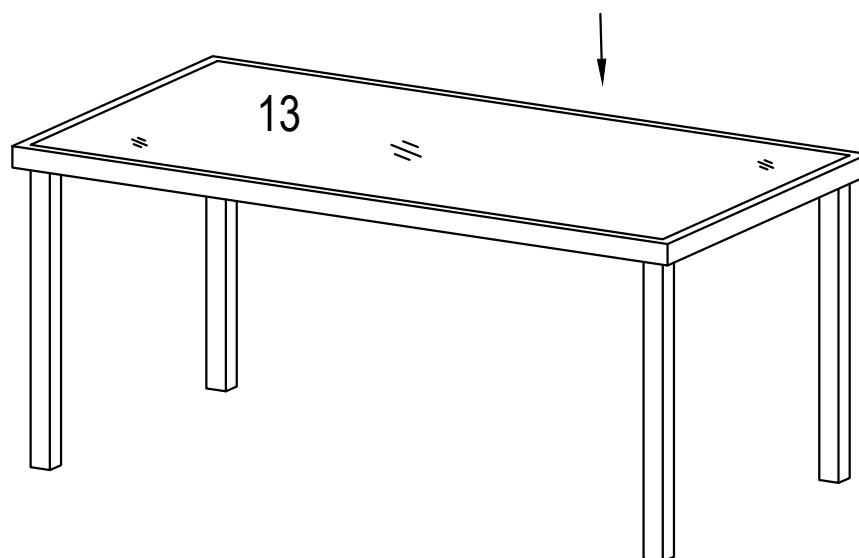
Part C: Table

You will need the following

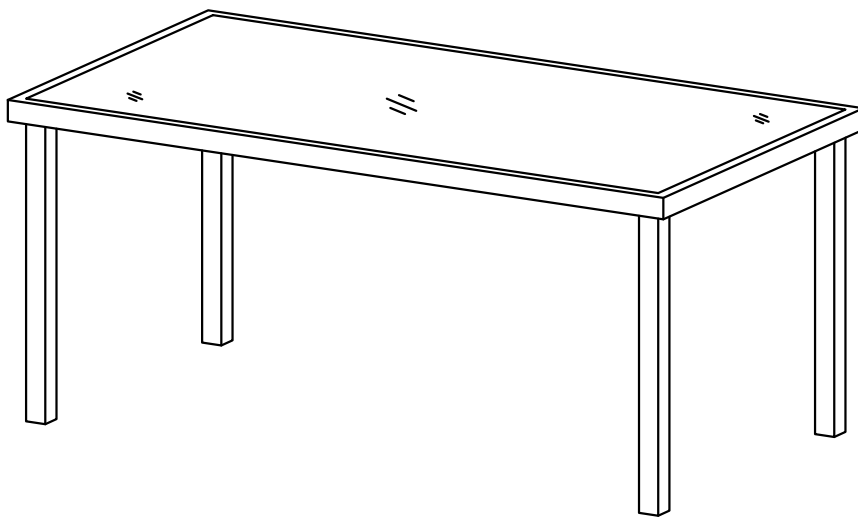


Step 2.

- Place the tempered glass(13) into theTop-frame.



Assembly is complete



PRODUCT CARE:

Metal

- ☒ Item is designed for use outdoors. However we do not recommend leaving this product outside when not in use. To preserve the life of this item, avoid prolonged exposure to the elements & store inside/under cover or use an outdoor cover.
- ☒ DO NOT allow the furniture to be left in the rain or left wet for extended periods of time.
- ☒ Wipe furniture Dry immediately after it becoming wet.
- ☒ DO NOT clean your furniture down with any harsh solvents, abrasives or chemicals.
- ☒ To remove dirt and grime, simply rinse with fresh water or periodically clean using a sponge and mild detergent solution as required

Glass

- ☒ If the glass is chipped or broken, stop using the product and consult place of purchase .
- ☒ Do not drop, drag or strike glass .
- ☒ Do not sit or stand upon the glass surface .
- ☒ Do not place very hot or cold items on the glass surface unless adequately thick table mats are used to prevent such items coming in contact with the glass .
- ☒ Do not place heavy objects on glass .
- ☒ Avoid scratching the glass or using as a chopping surface .
- ☒ Do not strike the glass with hard or pointed items .
- ☒ When cleaning the glass panels use a damp cloth with washing up liquid or soft soap if necessary. Do not use washing powders or any other substances containing abrasives since these may scratch the glass.