



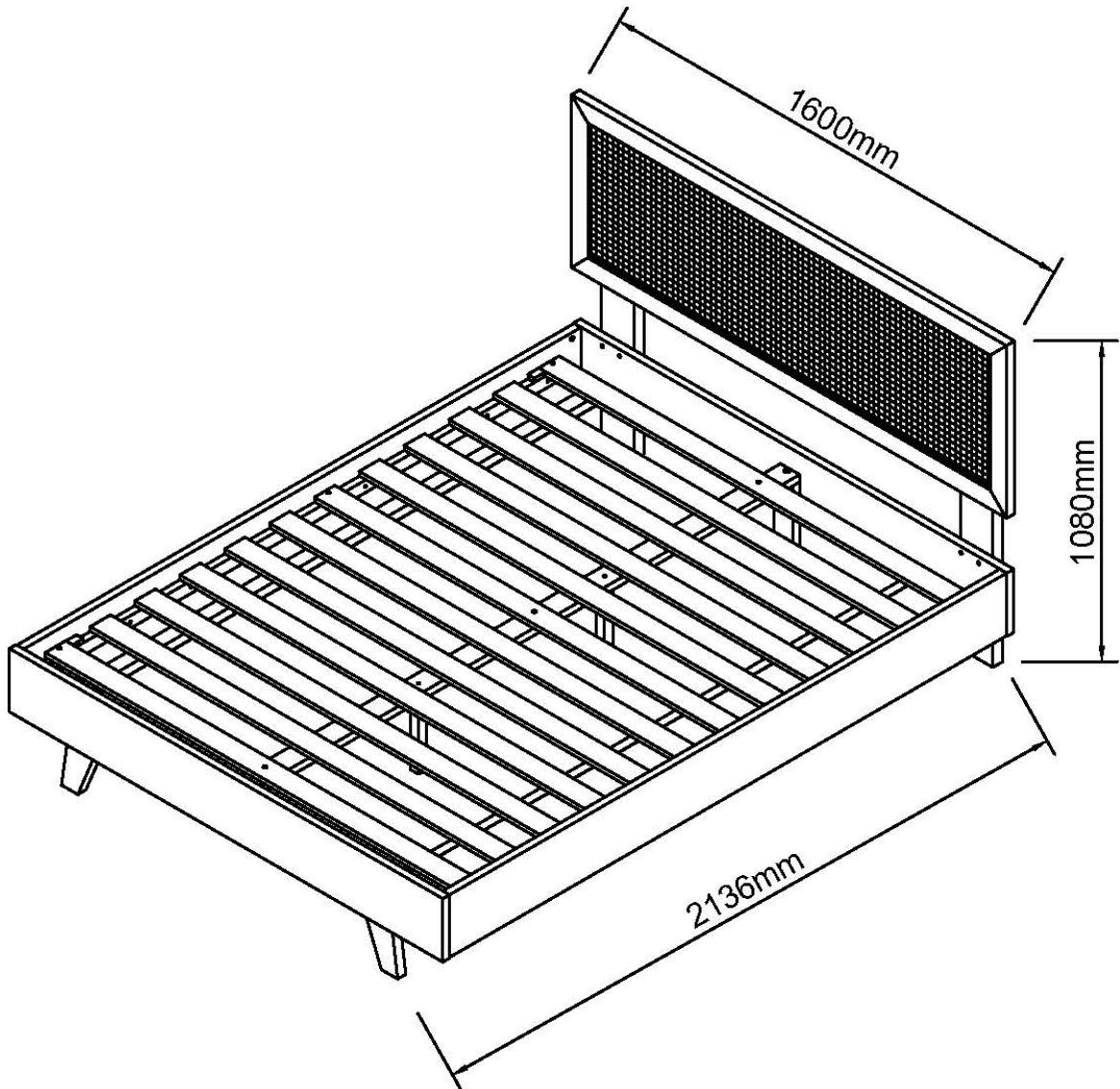
ASSEMBLY INSTRUCTION

NARA QUEEN BED

ITEM CODE 72815

Imported by Amart Furniture Pty Ltd, Qld, Brisbane Australia.

For any assistance with assembly or for missing parts please phone Amart Furniture , Customer Service Free call 1800 351 084





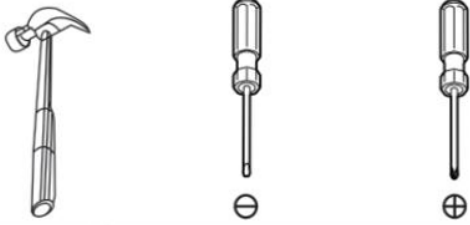
Imported by Amart Furniture Pty Ltd, Brisbane ,Qld Australia.

For any assistance with assembly or for missing parts please phone Amart Furniture, Customer Service Free call 1800 351 084

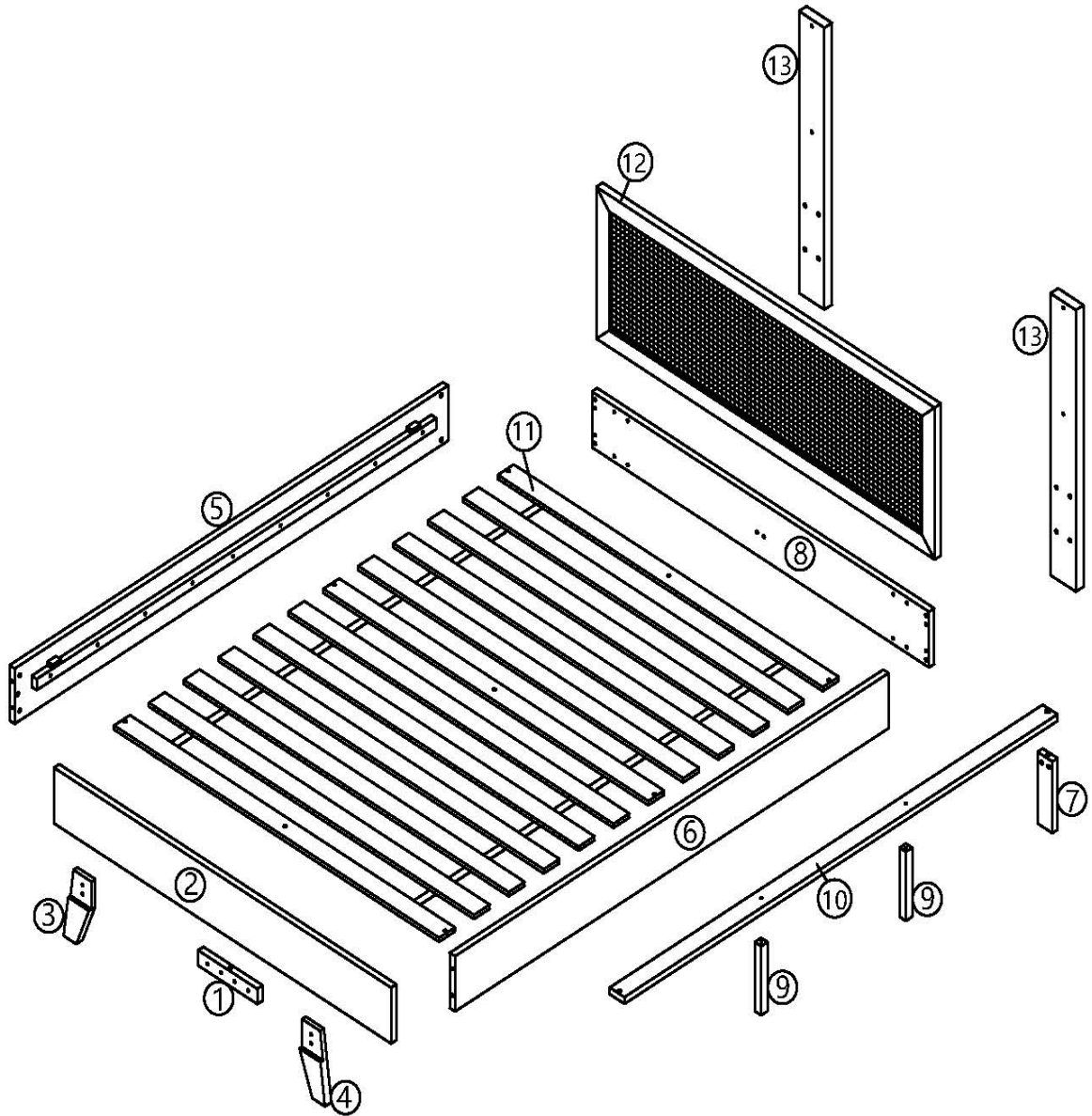
PRE-ASSEMBLY PREPARATION

Before you start:

1. Choose a clean, level, spacious assembly area. Avoid hard surfaces that may damage the product
2. Take care when lifting. Product should be assembled as near as possible to the point of use
3. Ensure that you have all required contents for complete assembly
4. Always read the assembly instructions carefully before beginning assembly.
5. Keep all hardware parts and packaging out of reach of small children.
6. Do not over tighten the screws and bolts as this may damage the threads





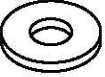
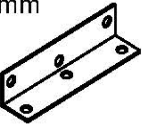





		
Allow 20 min	For 2 person	Additional tools required

PARTS LIST






1	SUPPORT BAR
2	FOOTBOARD
3	FOOTBOARD LEG
4	FOOTBOARD LEG
5	SIDE RAIL
6	SIDE RAIL
7	SUPPORT LEG

8	HEADBOARD SUPPORT BOARD
9	SUPPORT LEG
10	CENTRE RAIL
11	SLATS
12	HEADBOARD
13	HEADBOARD LEG

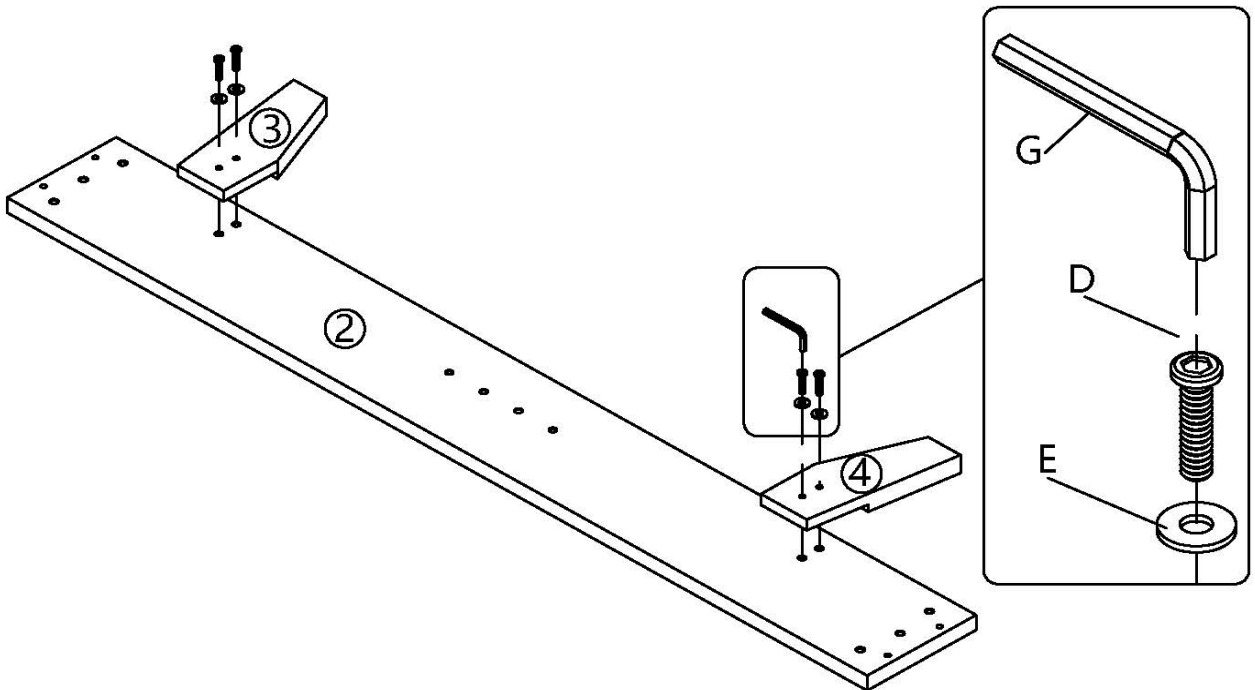
<p>A. ϕ8X40mm</p>  <p>AX8</p>	<p>B. M4X30mm</p>  <p>BX9</p>	<p>C. M6X20mm</p>  <p>CX12</p>	<p>D. M6X40mm</p>  <p>DX24</p>
<p>E.</p>  <p>EX36</p>	<p>F. L150mm</p>  <p>FX2</p>	<p>G. M4</p>  <p>GX1</p>	<p>H. M6X50mm</p>  <p>HX2</p>
<p>I. M8X75mm</p>  <p>IX4</p>	<p>J. M8X20</p>  <p>JX4</p>	<p>K. M5</p>  <p>KX1</p>	

STEP 1:

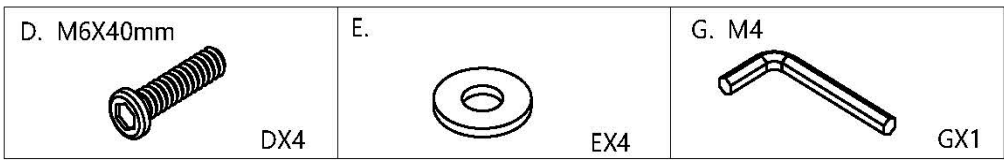
<p>D. M6X40mm</p>  <p>DX4</p>	<p>E.</p>  <p>EX4</p>	<p>G. M4</p>  <p>GX1</p>
--	--	--

Attach the footboard legs(3)(4) to footboard(2) with bolt (D) and washer (E) using allen key (G).

Note that the footboard legs are divided into left and right, please install them as show in the figure.

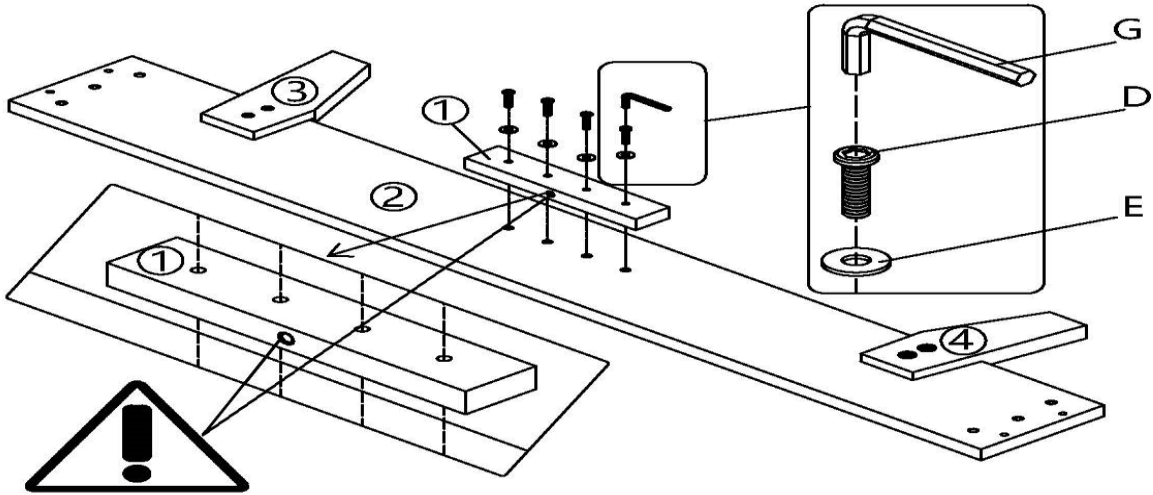


STEP 2:

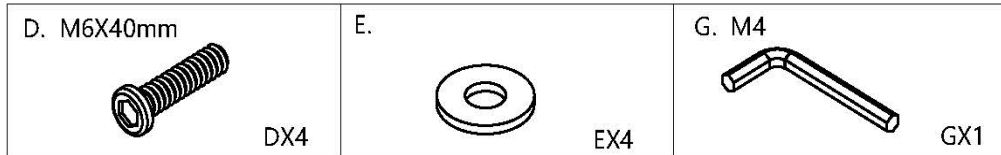


Attach the support bar(1)to footboard(2) with bolt (D) and washer (E) using allen key (G).

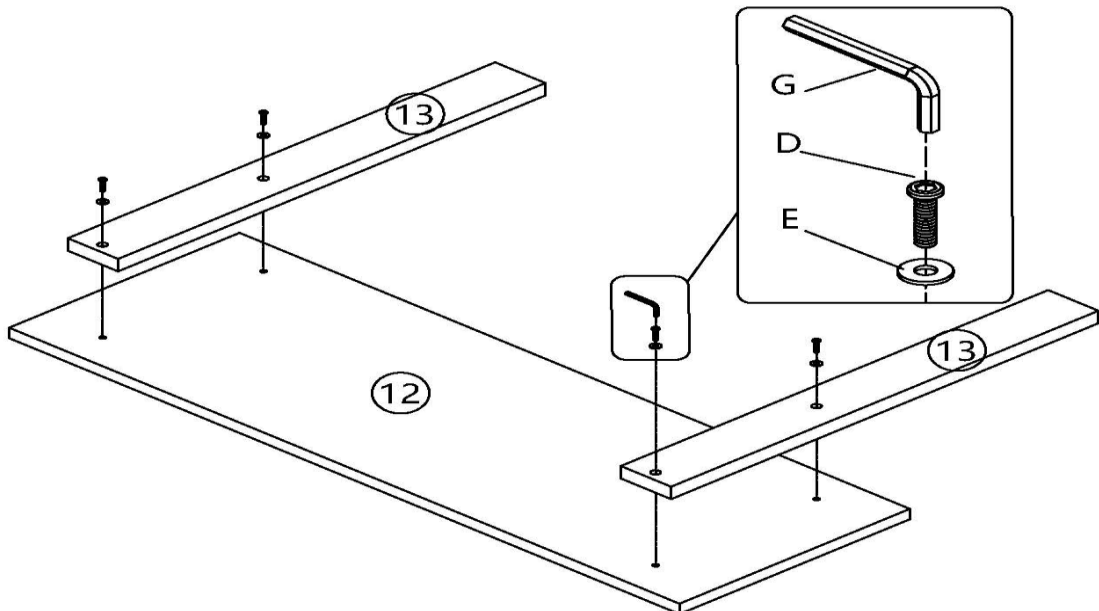
Note the side with a hole in the middle of the bar is upward.



STEP 3:



Attach headboard legs (13) to headboard (12) with bolt (D) and washer (E) using allen key (G)



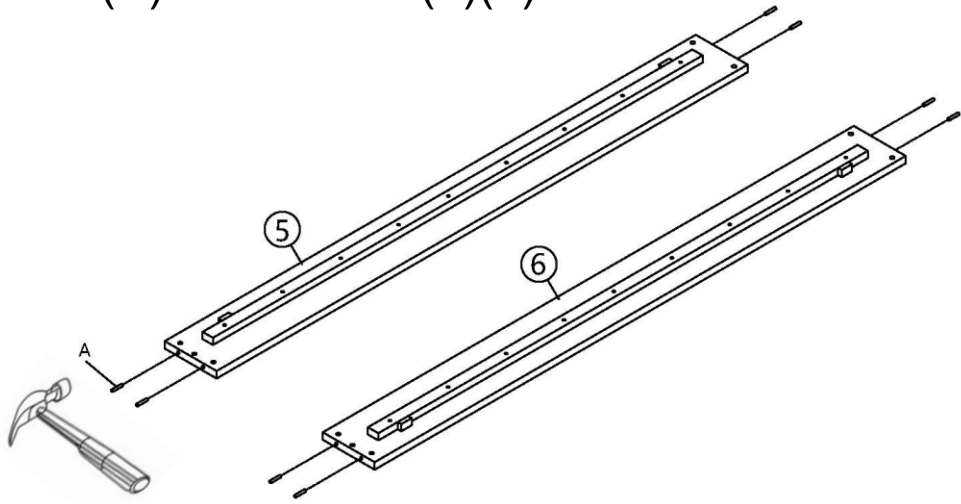
STEP 4:

A. $\phi 8 \times 40 \text{mm}$



AX8

Insert dowel (A) to siderails (5)(6)



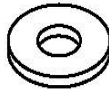
STEP 5:

C. M6X20mm



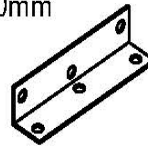
CX6

E.



EX6

F. L150mm



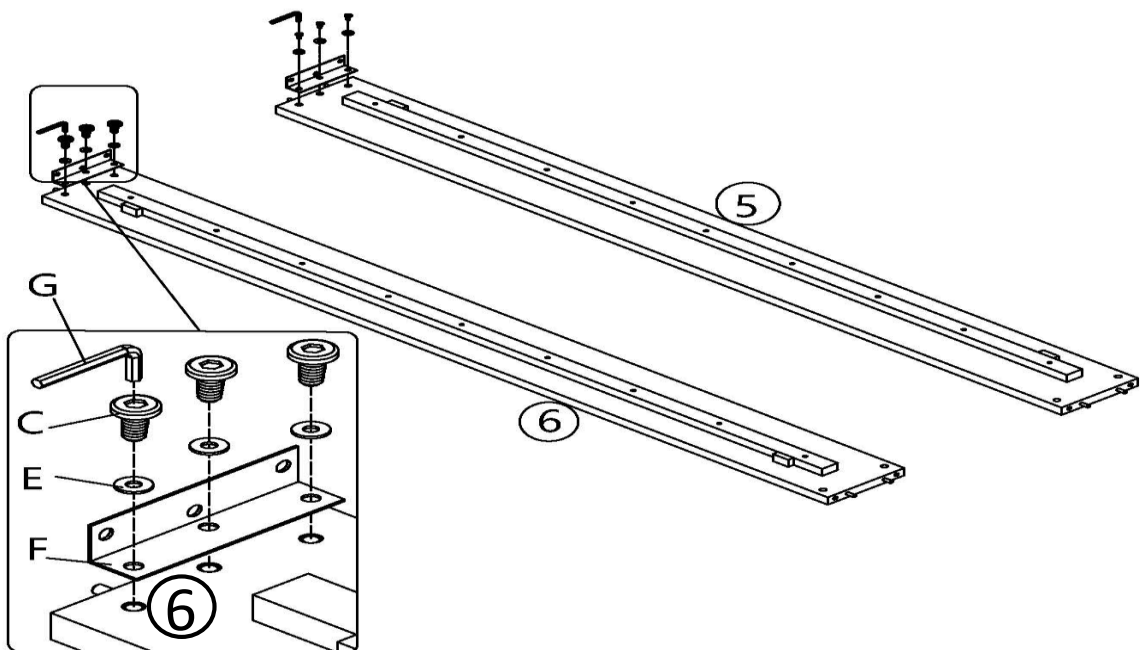
FX2

G. M4

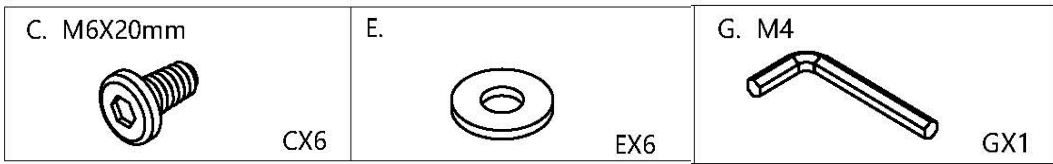


GX1

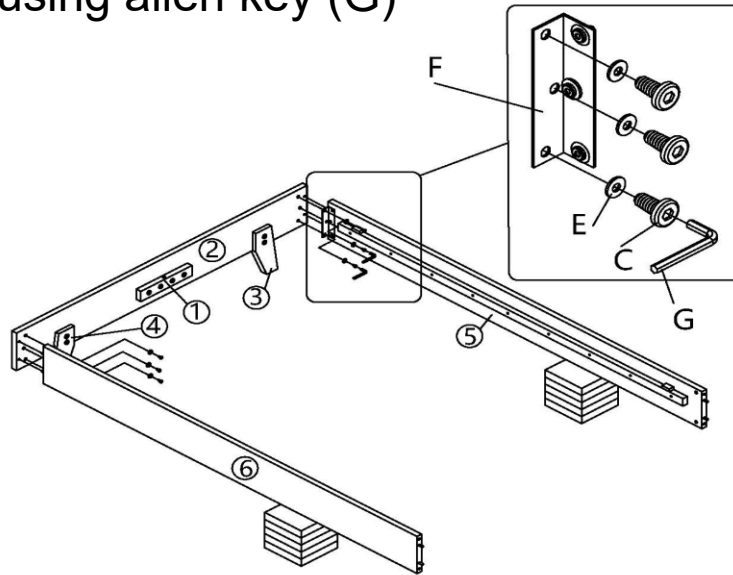
Fix angle irons(F) to siderails (5)(6) with bolt (C) and washer (E) using allen key (G)



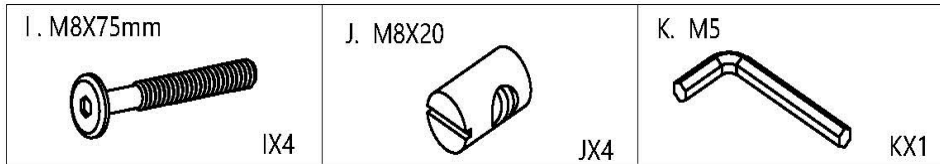
STEP 6:



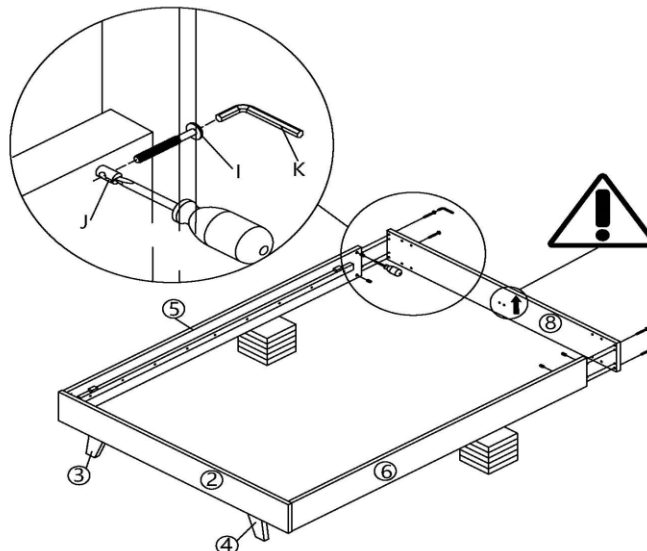
Attach siderails (5)(6) to footboard (2) with bolt (C) and washer (E) using allen key (G)



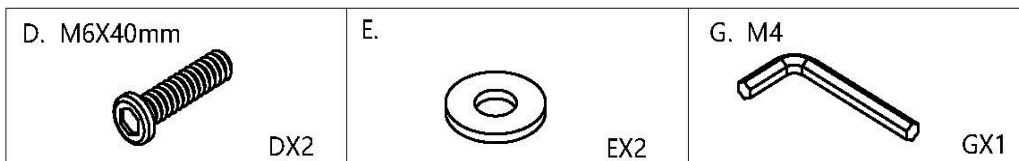
STEP 7:



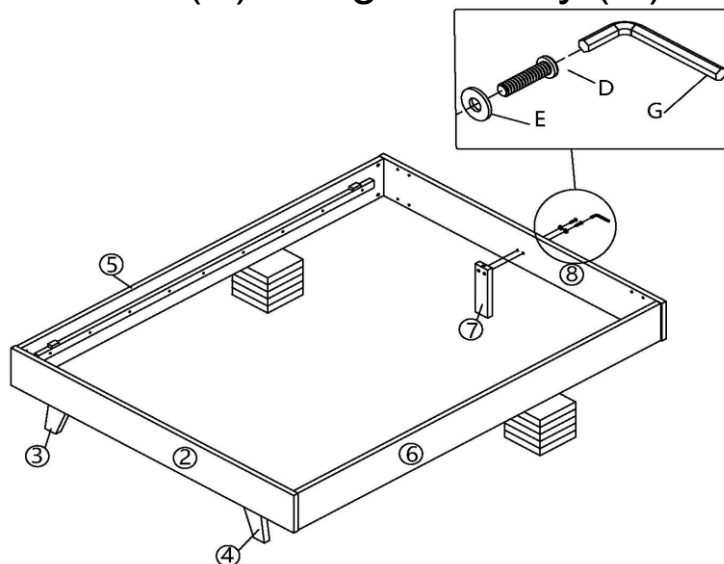
Attach the headboard support board(8) to siderails (5)(6) with hexagon socket screw (I) and nut (J) using allen key (K)



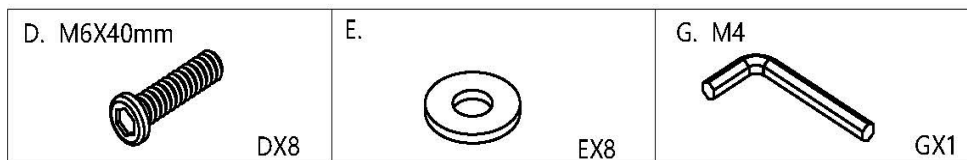
STEP 8:



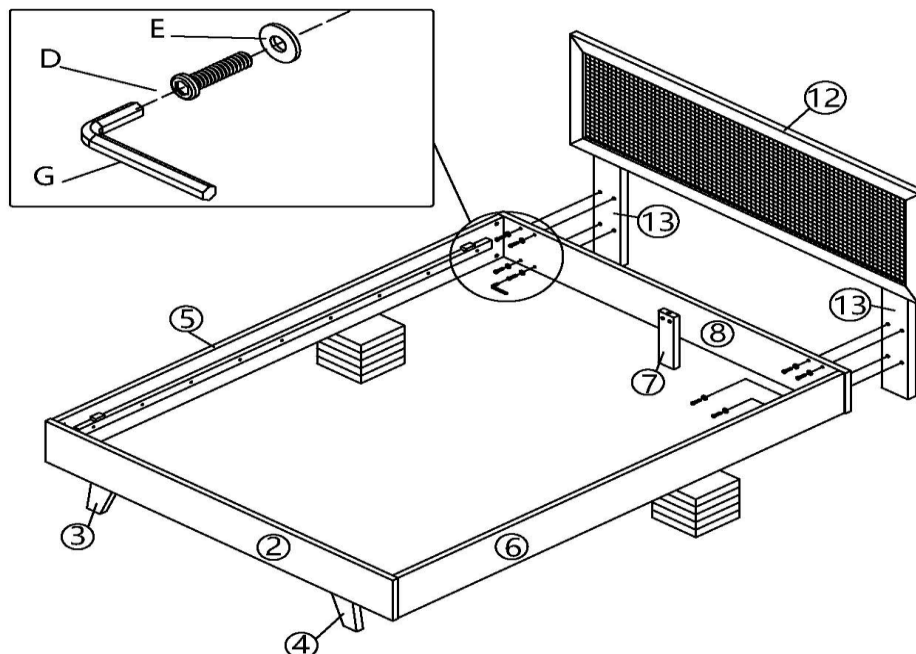
Attach support leg (7) to headboard support board (8) with bolt (D) and washer (E) using allen key (G)



STEP 9:



Attach headboard support board(8) to headboard legs (13) with bolt (D) and washer (E) using allen key(G)



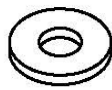
STEP 10:

D. M6X40mm



DX2

E.



EX2

G. M4



GX1

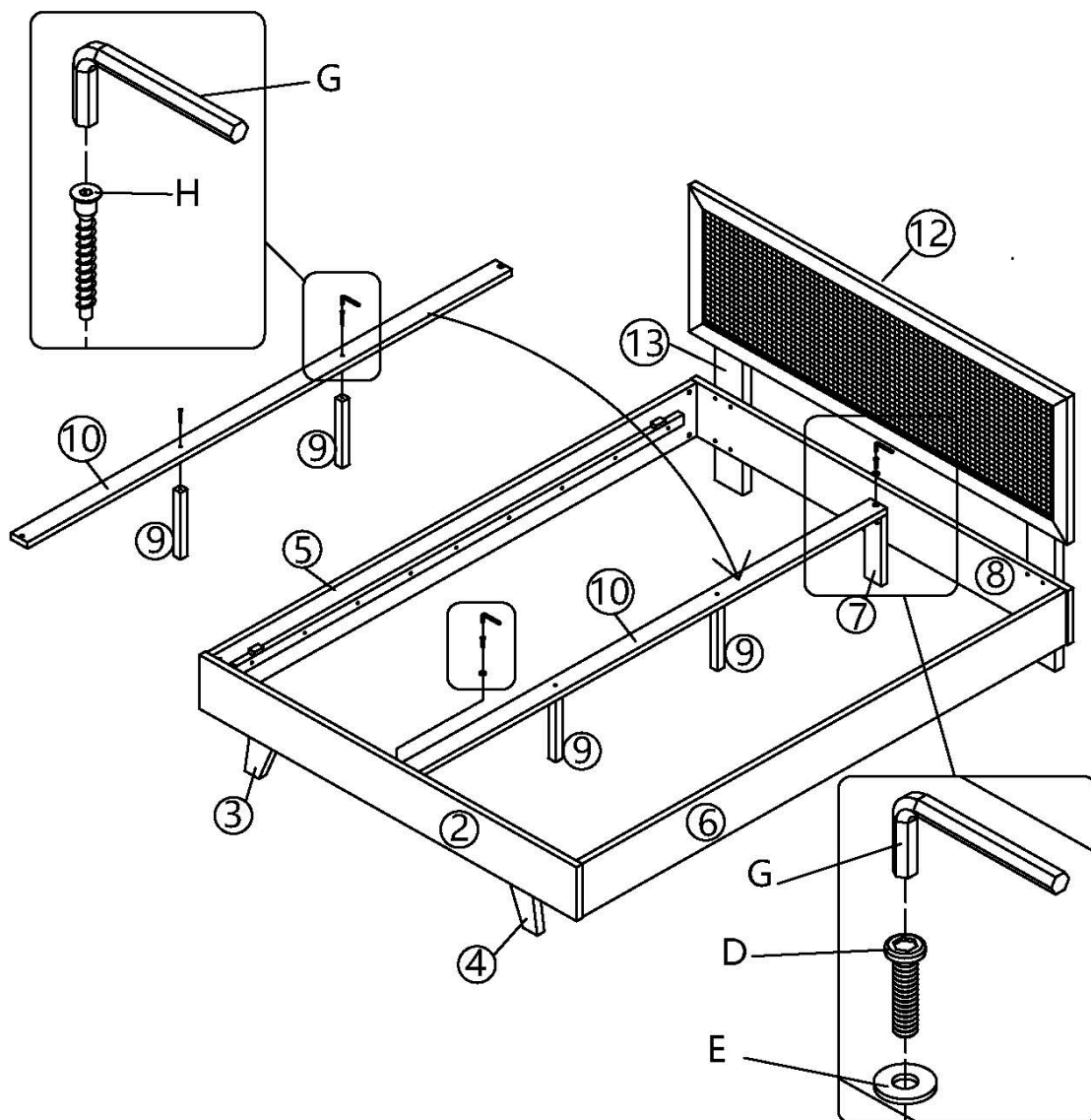
H. M6X50mm



HX2

Attach support legs(9) to centre rail(10) with screw (H) using allen key (G).

Attach centre rail(10) to support leg(7) and support bar(1) with bolt (D) and washer (E), using allen key (G).



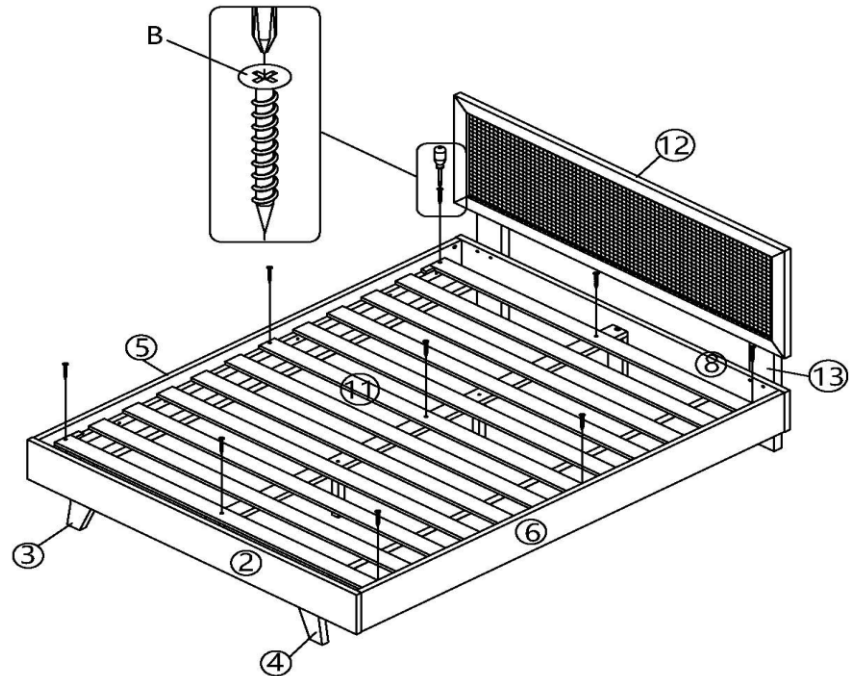
STEP 10:

B. M4X30mm



BX9

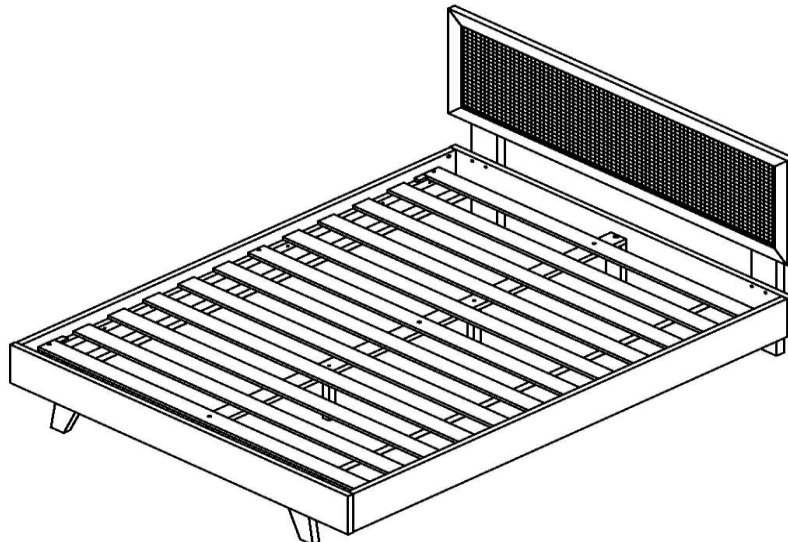
Attach slats (11) to the existing unit using screws (B).



ASSEMBLY IS COMPLETE

CAUTION

Always Lift Your Bed When Moving /Relocating - Do Not Drag. Dragging Can Cause The Centre Support Legs To Bend/Break.



To protect your furniture, we suggest the following:

- Avoid placing your furniture in direct sunlight.
- Do not place furniture directly under windows.
- Do not place sharp materials (knife, fork, etc.) directly onto your furniture as sharp material may scrape and damage the finish.
- Do not place material with high temperature directly onto the surface of your furniture.
- Clean up spills quickly. Water left over a prolonged period of time may cause damage. Alcohol, perfume, nail polishes, aftershave and some medication may cause severe finish damage if not cleaned immediately.
- Use a clean, soft, dry, lint free absorbent cloth to clean your furniture. Do not use any detergent as they may contain ingredients that may react and damage the finish.

NOTE: If the above care advise is not adhered to your product warranty may become void