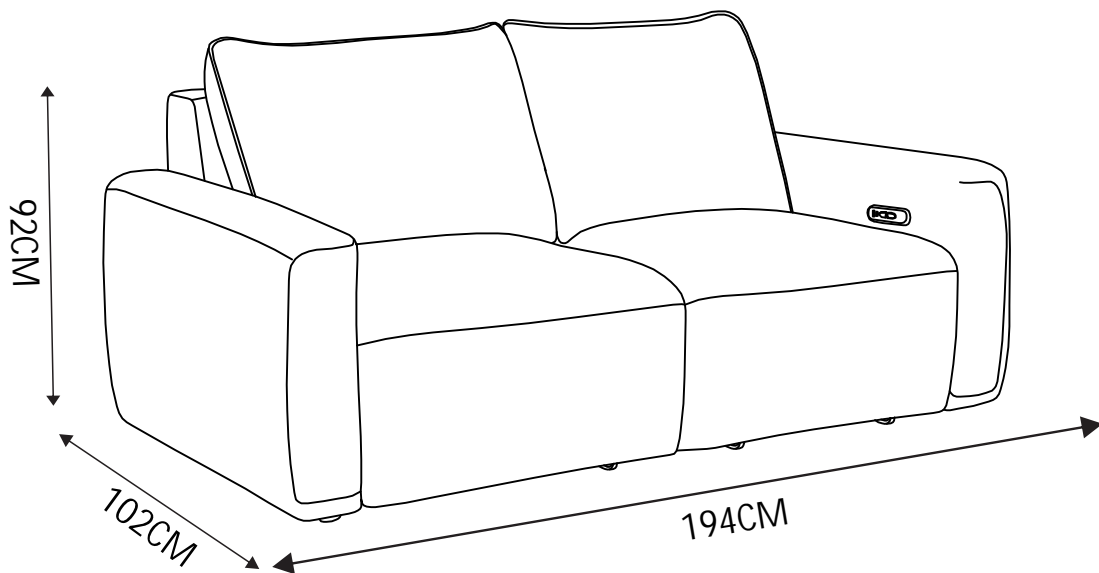




ASSEMBLY INSTRUCTION
MIKAELA FAB 2ERER(F)
ITEM CODE 80985

Please Follow Electric Safety Advice

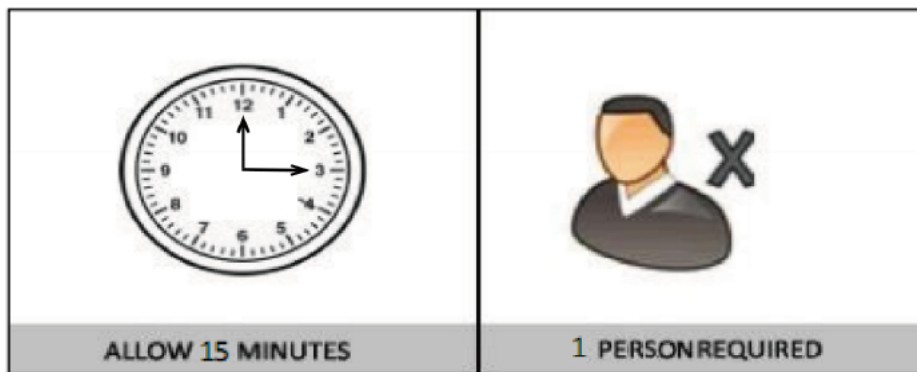


Imported by Amart Furniture Pty Ltd, Brisbane QLD Australia.
For any assistance with assembly or for missing parts please phone
Amart Furniture, Customer Service Free call 1800 351 084

PRE-ASSEMBLY PREPARATION

Before you start:

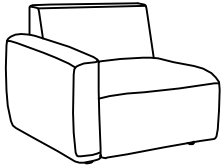
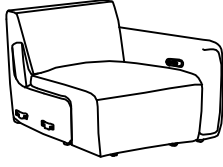



1. Choose a clean, level, spacious assembly area. Avoid hard surfaces that may damage the product
2. Take care when lifting. Product should be assembled as near as possible to the point of use
3. Ensure that you have all required contents for complete assembly
4. Always read the assembly instructions carefully before beginning assembly
5. Keep all hardware parts and packaging out of reach of small children
6. Do not over tighten the screws and bolts as this may damage the threads
7. Do not use a knife when opening
8. Read carefully all electrical safety usage warning



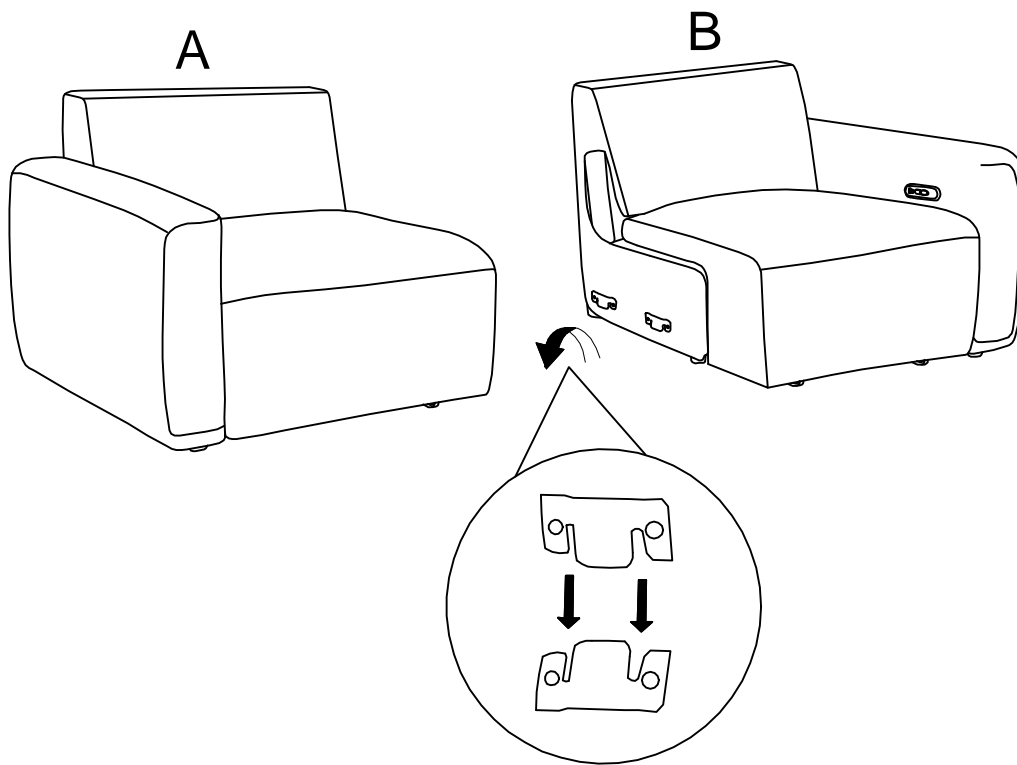
WARNING

Do Not allow children to play on this mechanised furniture or operate the mechanism. Leg rest folds down on closing so that a child could possibly be injured. Always leave in an upright and closed position. Keep hands and feet clear of mechanism. Only the occupant should operate it.

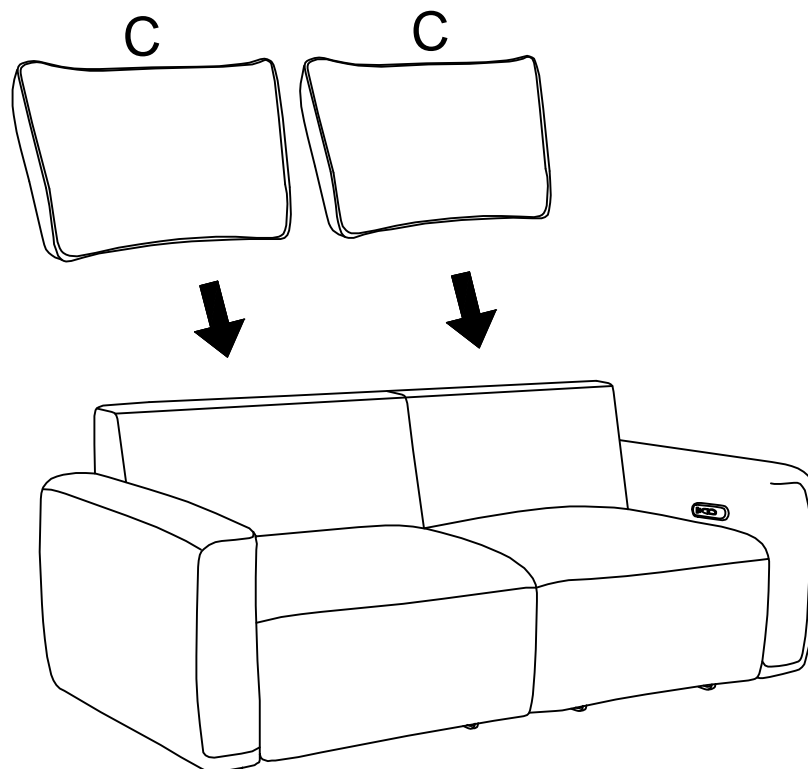
PARTS LIST

Ax1 	Bx1 	Cx2 	Dx1 
Ex1 			

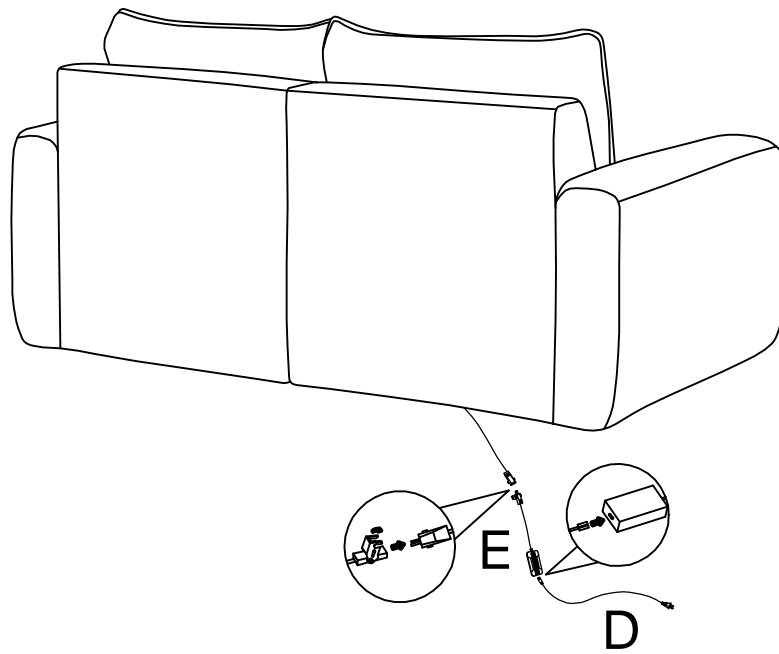
STEP 1: Assemble the two components of AB together.



STEP 2: Install the backrest C properly.



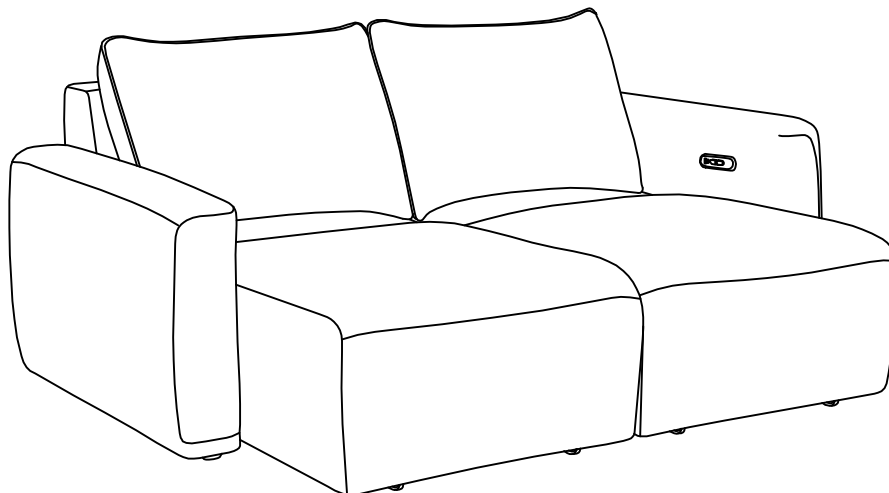
STEP 3:Connecting the power supply.



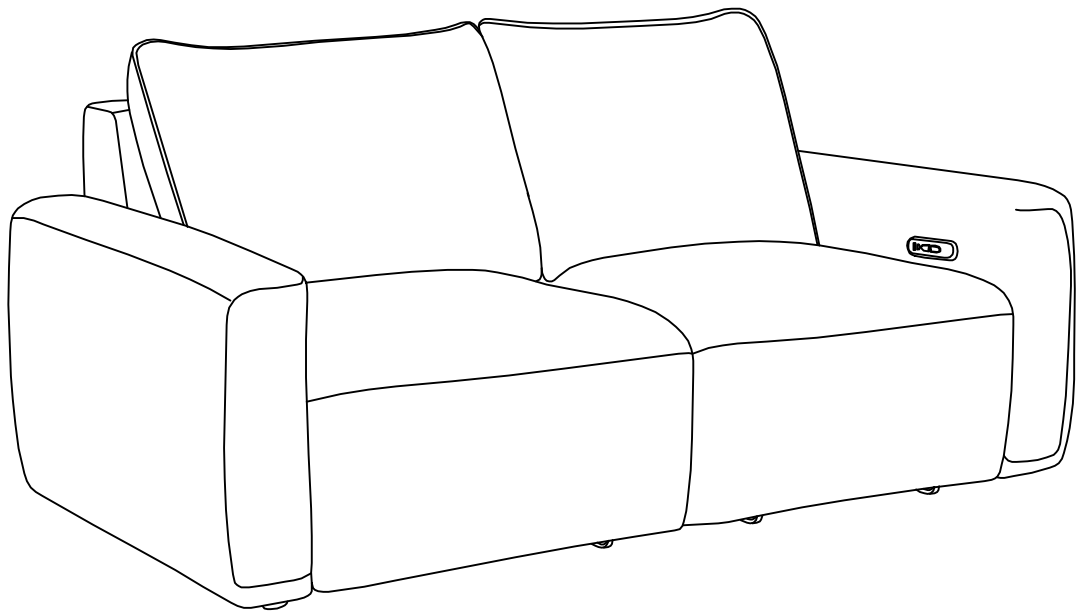
Warning:

Place transformer well away from mechanism base

STEP 4:Function display as shown in the figure.



ASSEMBLY IS COMPLETE



Electric Recliner Warning

READ THESE INSTRUCTIONS THOROUGHLY BEFORE USE:

DANGER: TO REDUCE THE RISK OF ELECTRIC SHOCK:

Always unplug from electric outlet before cleaning.

Always place transformer well away from recliner mechanism base.

WARNING: RISK OF INJURY

Keep children away from extended footrest and any moving parts.

CAUTION: Do not allow children to play on this electric recliner or operate the powered mechanism.

The leg rest folds when closing and could possibly cause injury to a child.

Always leave the recliner in an upright and closed position when not in use.

Keep hands and feet clear of mechanism. Only the occupant should operate it.

Keep pets away from underside of recliner.

POWER CORD SAFETY

WARNING: Unplug and remove power cord from wall when not in use and store out of reach of children.

Take care when moving recliner that wall and transformer cords are not under the base or they may get damaged.

NEVER OPERATE ELECTRIC RECLINER IF IT HAS A DAMAGED CORD OR PLUG.

WARNING: TO REDUCE RISK OF BURNS, FIRE, ELECTRIC SHOCK OR PERSONAL INJURY TO

PERSONS:

- Use only for its intended purpose.
- Never press or activate control switch if you are not seated in recliner.
- Only the occupant should activate the control switch.
- Never operate with more than one person occupying seat.
- Never sit or stand on the footrest.

CARE AND MAINTENANCE

REGULAR CARE:

- Protect from direct sunlight.
- Vacuum regularly using low suction.
- Rotate reversible cushions regularly.
- Avoid exposure to new clothing, cushions or throws as this may lead to dye transfer and permanent staining.

CLEANING:

- Do not remove cushion covers for separate cleaning even though they may have zippers.
- Do not wash, Do not dry clean, Do not shampoo clean.
- Clean only with hot water extraction machine. Professional cleaning recommended.
- Do not use dishwashing liquid or laundry detergent. Use only upholstery detergents.
- Do not wet filling.
- Dry in shade away from direct heat and sunlight.
- Allow to dry thoroughly before re-use.

SPOT CLEANING:

- Do not rub.
- Do not spot clean with any solvent.
- Treat spills and stains as soon as possible.
- Gently scrape off any soil or blot any liquid from the surface of the fabric before applying cleaner.
- Apply proprietary cleaning agents strictly according to instructions to remove the residue of the spill.
- Do not saturate the fabric or interior with water or other cleaning liquids.

WARNING:

Apply only water-based soil resist (fabric protection) treatments. Do not use aerosol products

* PILLING IS NOT A FABRIC DEFECT OR FAULT AND IS NOT COVERED BY WARRANTY.

* PILLING IS A NORMAL OCCURRENCE IN WOVEN FABRICS AND DOES NOT AFFECT THE DURABILITY OR FUNCTIONALITY OF THE FABRIC. IT IS EASILY REMOVED BY USE OF A BATTERY OPERATED DE-PILLING MACHINE AS THE NEED ARISES.

CARE AND MAINTENANCE

To protect your furniture, we suggest the following:

- Avoid placing your furniture in direct sunlight.
- Do not place furniture directly under windows.
- Do not place sharp materials (knife, fork, etc.) directly onto your furniture as sharp material may scrape and damage the finish.
- Do not place material with high temperature directly onto the surface of your furniture.
- Clean up spills quickly. Water left over a prolonged period of time may cause damage. Alcohol, perfume, nail polishes, aftershave and some medication may cause severe finish damage if not cleaned immediately.
- Use a clean, soft, dry, lint free absorbent cloth to clean your furniture. Do not use any detergent as they may contain ingredients that may react and damage the finish.