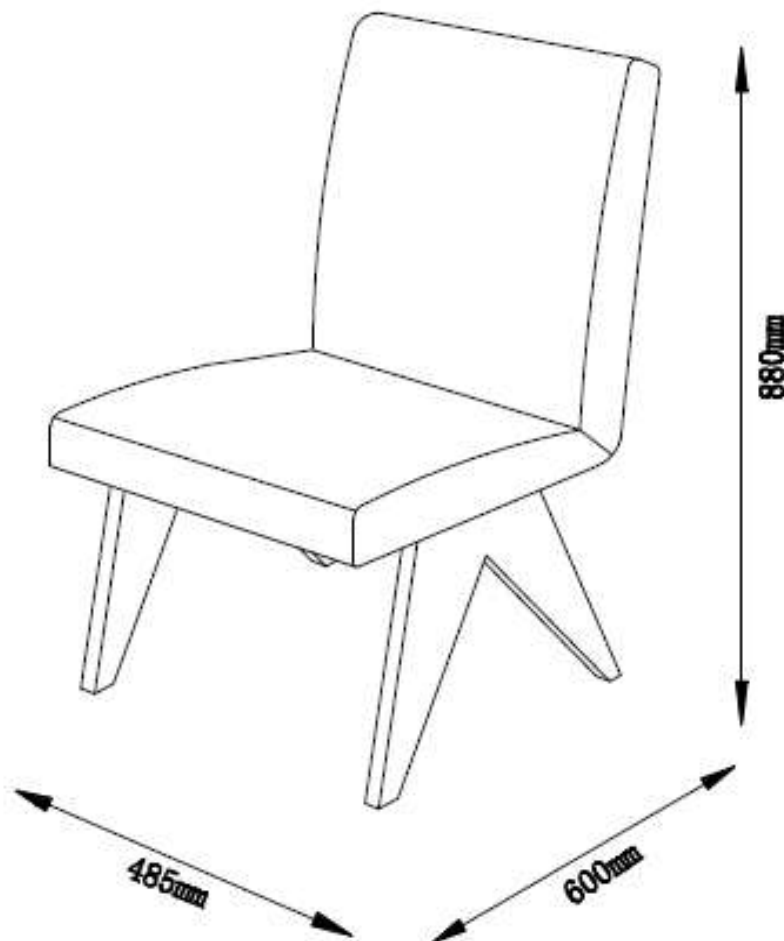




ASSEMBLY INSTRUCTION  
LELAND DINING CHAIR  
ITEM CODE 81500

---



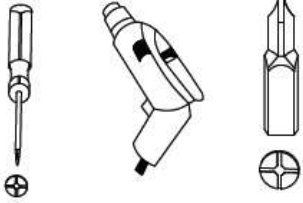


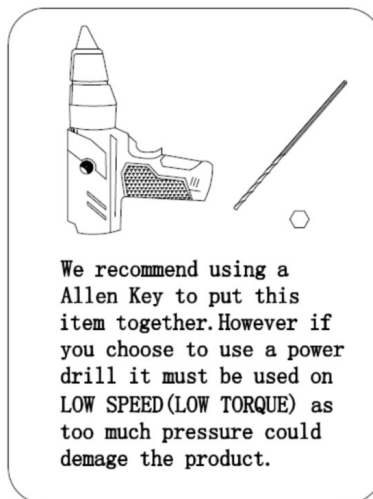
Imported by Amart Furniture Pty Ltd, Qld, Brisbane Australia.  
For any assistance with assembly or for missing parts please phone  
Amart Furniture, Customer Service Free call 1800 351 084

## PRE-ASSEMBLY PREPARATION

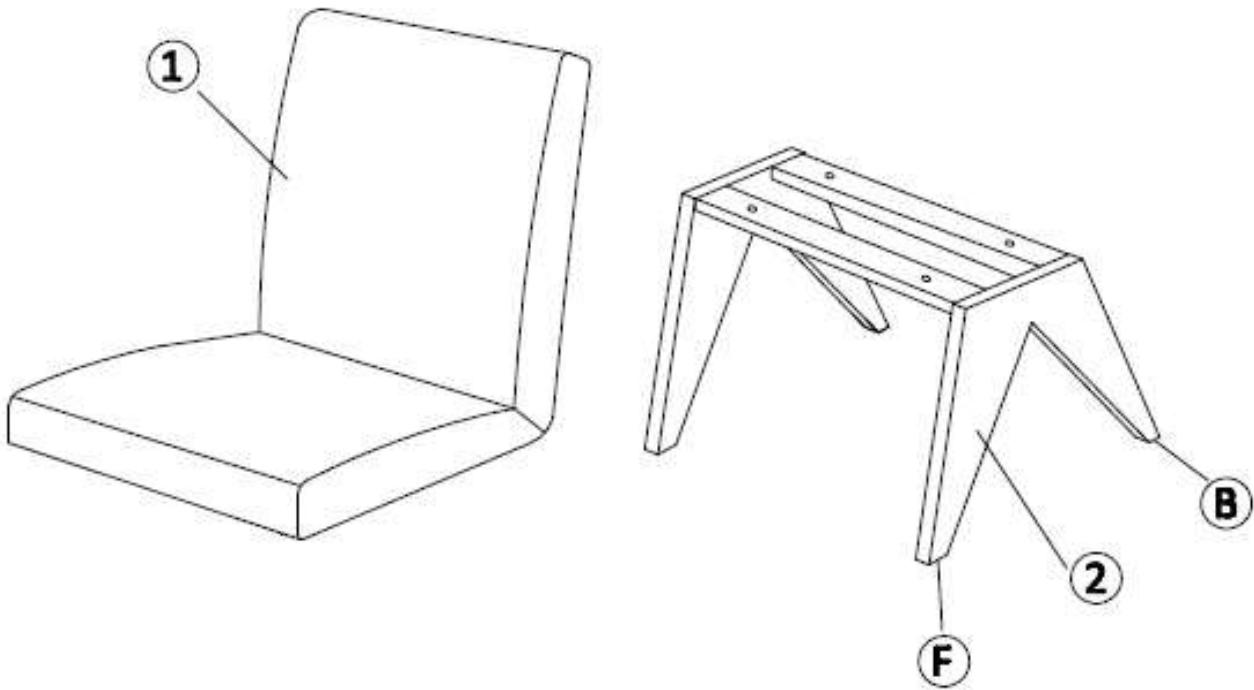
### Before you start:

1. Choose a clean, level, spacious assembly area. Avoid hard surfaces that may damage the product
2. Take care when lifting. Product should be assembled as near as possible to the point of use
3. Ensure that you have all required contents for complete assembly
4. Always read the assembly instructions carefully before beginning assembly.
5. Keep all hardware parts and packaging out of reach of small children.
6. Do not over tighten the screws and bolts as this may damage the threads





|   |   |
|---|---|
|   |  |
| <b>ALLOW 20 MINITES</b>   | <b>PEOPLE REQUIRED</b>  |
|  |   |
| <b>TOOL REQUIRED</b>  |   |



## PARTS LIST



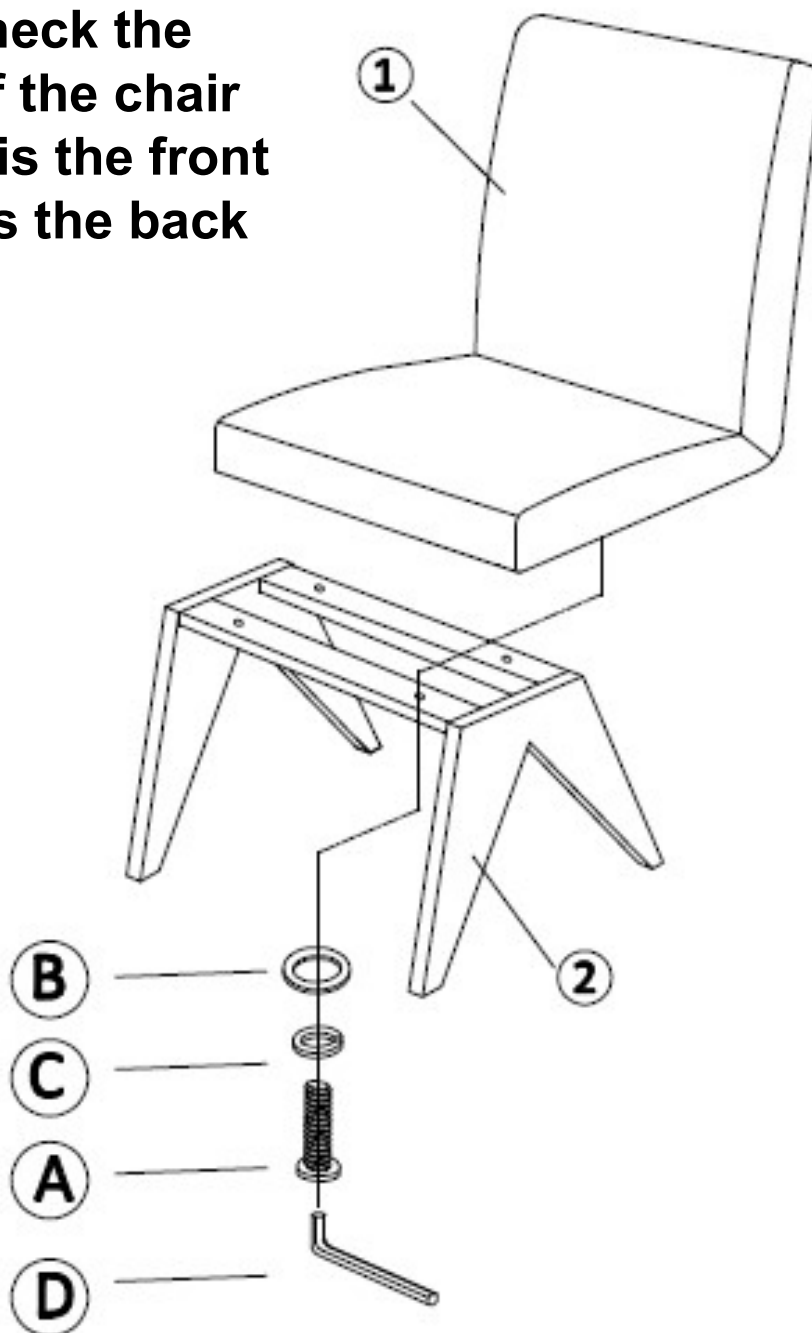
|   |   |
|---|---|
| 1 | SEAT PART   |
| 2 | BASE PART WITH "F" ON FRONT BOTTOM AND "B" ON BACK BOTTOM |

|  |   |   |   |
|--|---|---|---|
| <b>A. BOLT 1/4"X50MM</b><br><br><b>4PCS</b> | <b>B. FLAT WASHER</b><br><br><b>4PCS</b> | <b>C. LOCK WASHER</b><br><br><b>4PCS</b> | <b>D. ALLEN KEY</b><br><br><b>1PCS</b> |
|--|---|---|---|

**STEP1** Assemble bolts (A), lock washerS (C) and flat washerS (B) through each holes of the base part (2) to the seat part(1) with AlleyKey(D). Do not tighten the bolts at this point in time.



**NOTE: Check the bottom of the chair legs, “F” is the front and “B” is the back**



**STEP2** Carefully turn the chair over, and put the chair on the floor. Tighten each loose bolt a little at a time while making sure the chair remains level. Repeat until all loose bolts are tight.



**Do Not:** Use chair/stool as a ladder. Do not climb on the chair/stool. Do not stand on the foot-rest of the chair/stool, as this could lead to the stool becoming unbalanced and overturning.

**ASSEMBLY IS COMPLETE**

# Care and maintenance

## **REGULAR CARE:**

- Protect from direct sunlight
- Vacuum regularly using low suction
- Rotate reversible cushions regularly

## **CLEANING:**

- Do not remove cushion covers for separate cleaning even though they may have zippers
- Do not wash , Do not dry clean , Do not shampoo clean
- Clean with hot water extraction machine. Professional cleaning recommended
- Do not use dishwashing liquid or laundry detergent
- Use only upholstery detergents
- Do not wet filling
- Dry in shade away from direct heat and sunlight
- Allow to dry thoroughly before re-use

## **SPOT CLEANING:**

- Do not rub
- Do not spot clean with any solvent
- Treat spills and stains as soon as possible
- Gently scrape off any soil or mop any liquid from the surface of the fabric
- Apply proprietary cleaning agents strictly according to instructions to remove the residue of the spill
- Do not saturate the fabric or interior with water or other cleaning liquids

## **WARNING:**

Apply only water-based soil resist (fabric protection) treatments. Do not use aerosol products

- \* PILLING IS NOT A FABRIC DEFECT OR FAULT AND IS NOT COVERED BY WARRANTY
- \* PILLING IS A NORMAL OCCURRENCE CAUSED BY WEAR AND TEAR AND DOES NOT AFFECT THE DURABILITY OR FUNCTIONALITY OF THE FABRIC AND IS EASILY REMOVED

## **Do not:**

- Use chair/stool as a ladder
- Climb on the chair/stool
- Stand on the foot-rest of the chair, as this could lead to the stool becoming unbalanced and overturning