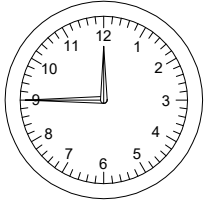
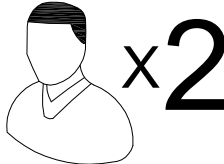
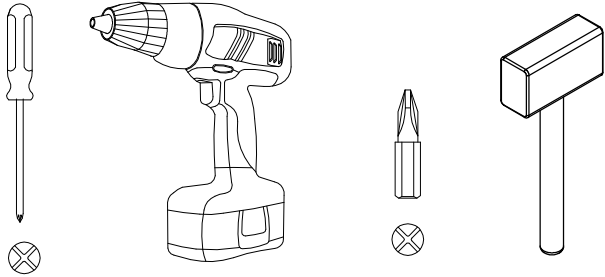


Imported by Amart Furniture Pty Ltd, Qld, Brisbane Australia.
For any assistance with assembly or for missing parts, please phone
Amart Furniture, Customer Service Free call 1800 351 084

PRE-ASSEMBLY PREPARATION

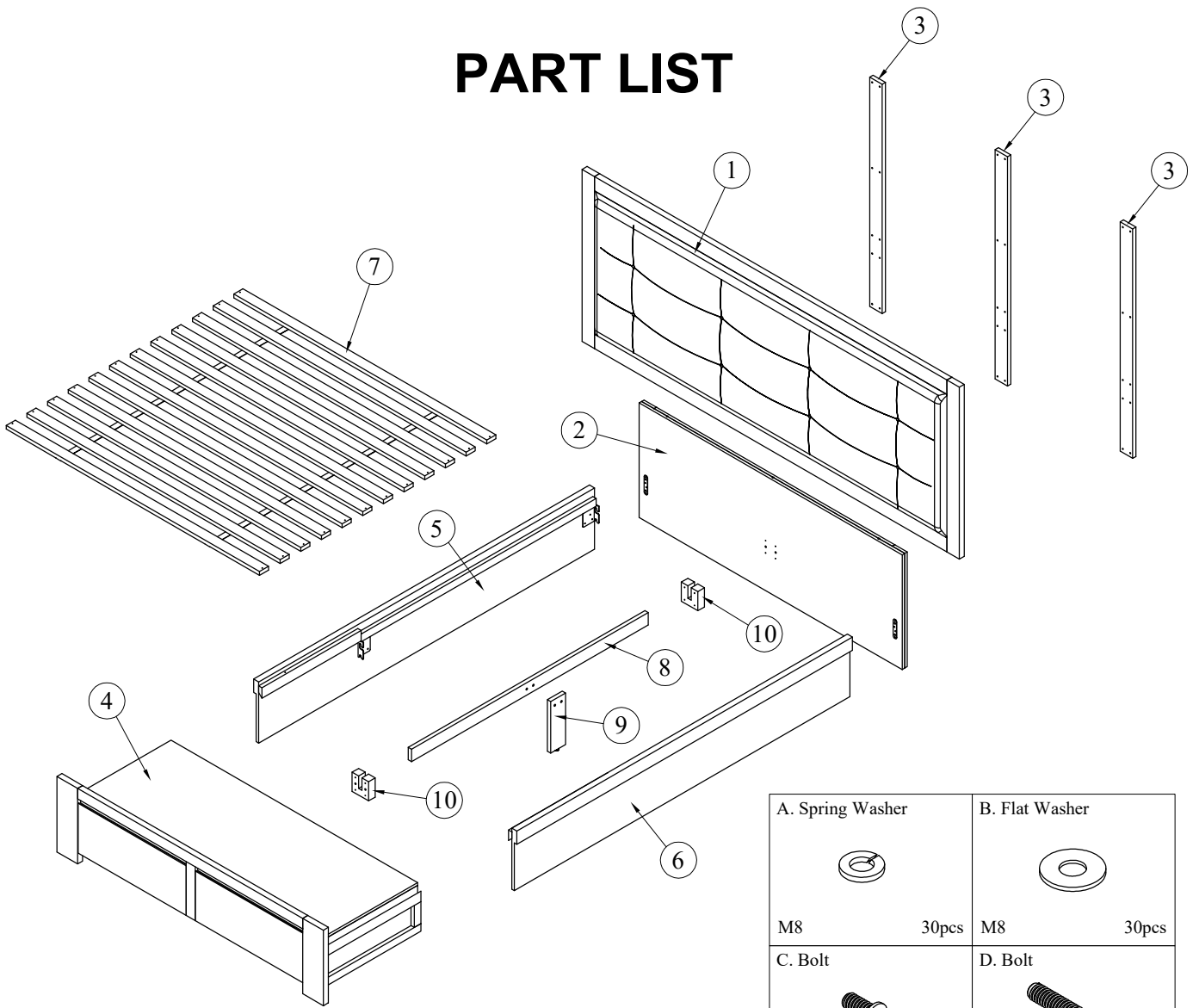
Before you start:

1. Choose a clean, level, spacious assembly area. Avoid hard surfaces that may damage the product.
2. Take care when lifting. Product should be assembled as near as possible to the point of use.
3. Ensure that you have all the required contents for complete assembly.
4. Always read the assembly instructions carefully before beginning assembly.
5. Keep all hardware parts and packaging out of reach of small children.
6. Do not over tighten the screws and bolts as this may damage the threads.

	
ALLOW 45 MINUTES	2 PEOPLE REQUIRED
	
ADDITIONAL TOOLS REQUIRED	






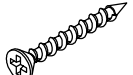



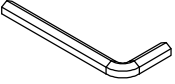
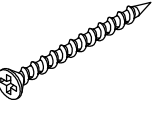
Power drill set to low speed setting before use.

PART LIST



Note: Hardware are located inside siderail boxes.

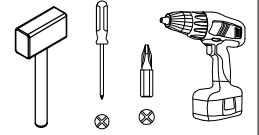
NO.	DESCRIPTION	QTY.
1	HEADBOARD	1pc
2	HEADBOARD BASE	1pc
3	HEADBOARD SUPPORT	3pcs
4	FOOTBOARD WITH DRAWER	1pc
5	SIDERAIL (LEFT)	1pc
6	SIDERAIL (RIGHT)	1pc
7	SLAT	12pcs
8	SLAT SUPPORT	1pc
9	SLAT SUPPORT LEG	1pc
10	U BLOCK	2pcs

A. Spring Washer  M8 30pcs	B. Flat Washer  M8 30pcs
C. Bolt  JCBC M8 x 16 8pcs	D. Bolt  JCBC M8 x 40 24pcs
E. Bolt  JCBC M6 x 40 8pcs	F. Screw  CSK M4 x 32mm 32pcs
G. Dowel  M8 x 40 4pcs	H. Dowel  M8 x 50 3pcs
I. Allen Key  M4 1pc	J. Allen Key  M5 1pc
K. Screw  CSK M4 x 50mm 2pcs	

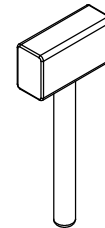
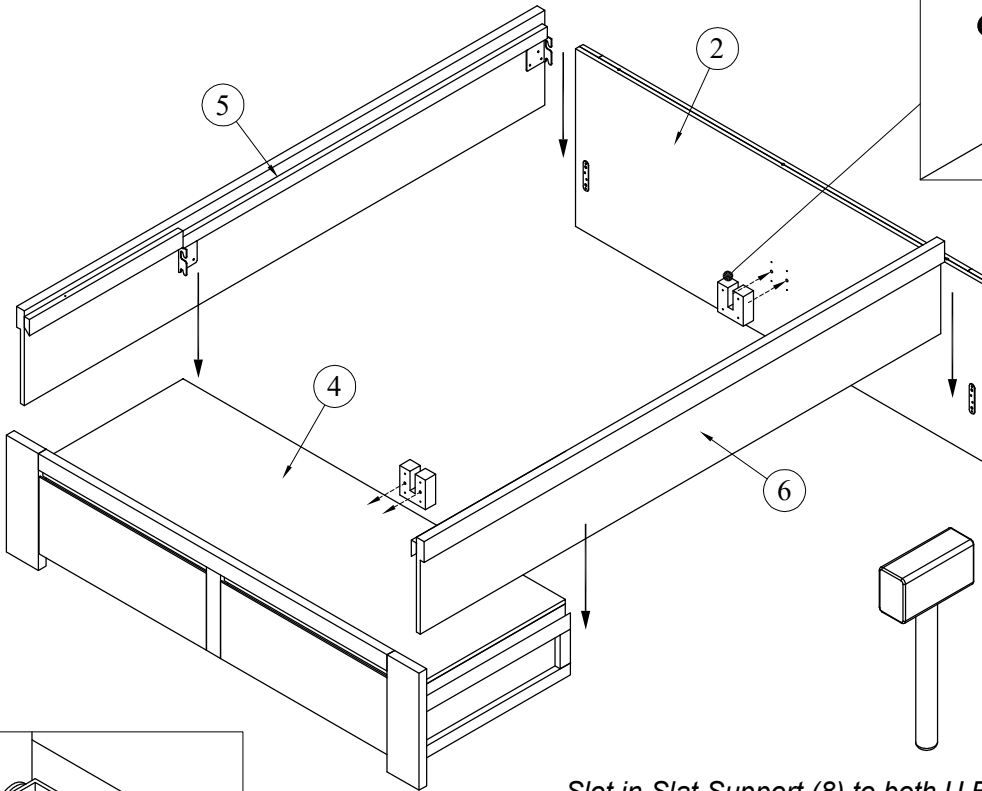
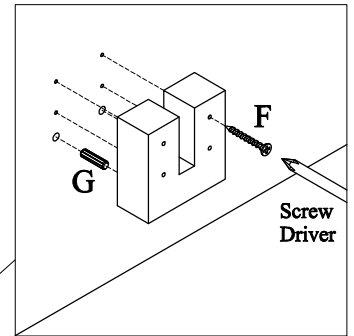
ITEMS REQUIRED

1

C. Bolt 8pcs JCBC M8 x 16	E. Bolt 2pcs JCBC M6 x 40	F. Screw 8pcs CSK M4 x 32mm	G. Dowel 4pcs M8 x 40	I. Allen Key 1pc M4	J. Allen Key 1pc M5
---------------------------------	---------------------------------	-----------------------------------	-----------------------------	---------------------------	---------------------------

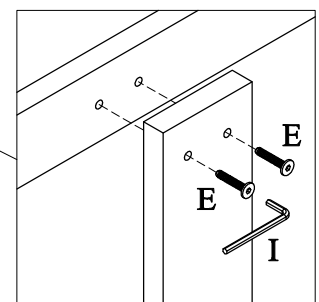
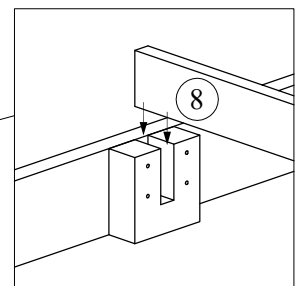
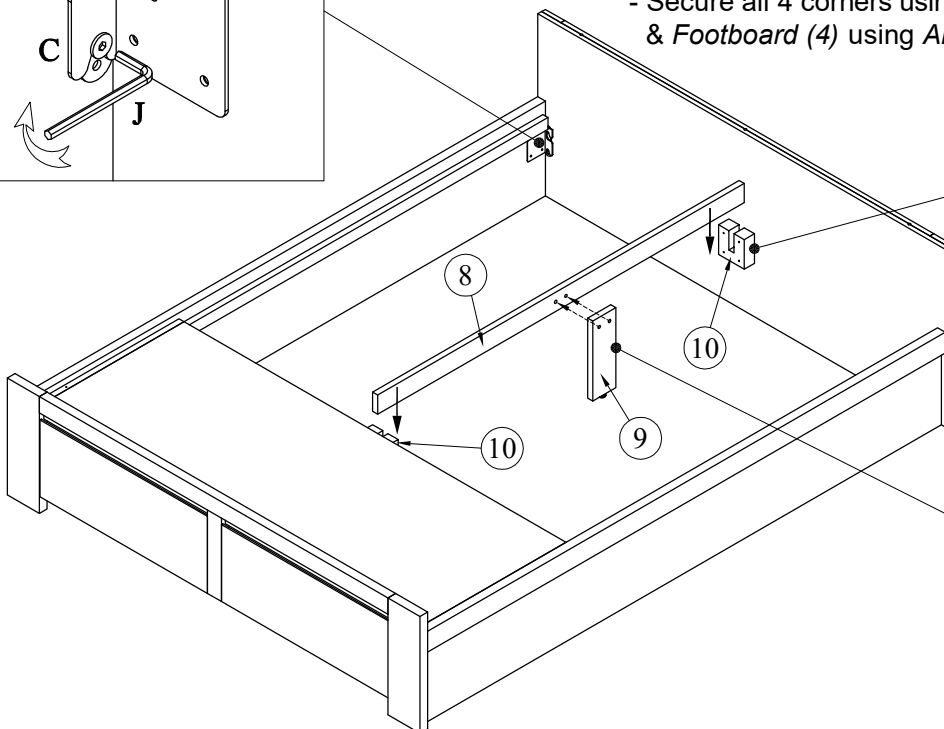
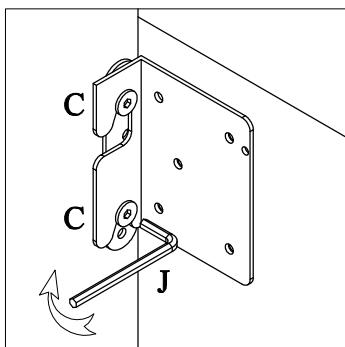


- Attach Siderail (5 & 6) to Headboard Base (2) & Footboard (4) by pushing the bracket down.
- Attach U Block (10) to Headboard Base (2) & Drawer Footboard (4) using Dowel (G) & Screws (F).
- Tighten with screw driver or power drill on low setting.

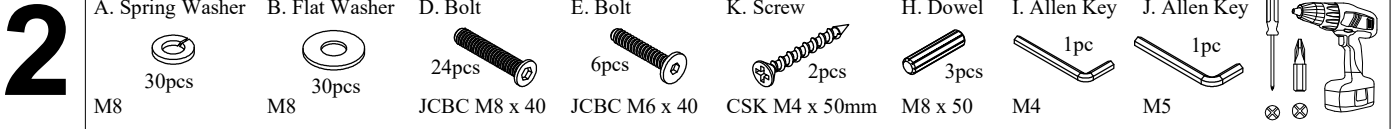


Note:
Use plastic hammer driving wood Dowel (G) into U-Block (10) and fit to Headboard Base (2) and Footboard (4) before screw in as below.

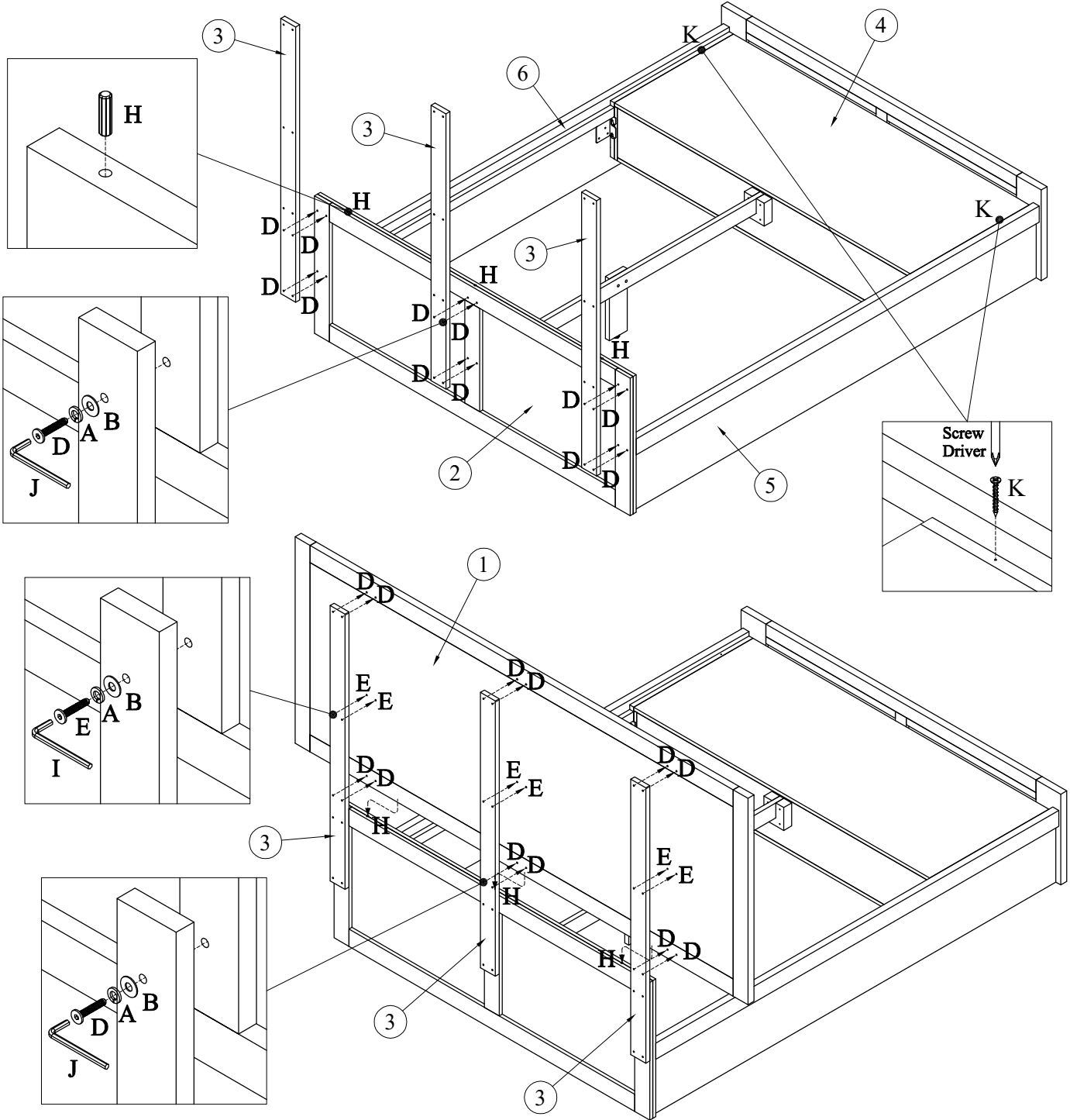
- Slot in Slat Support (8) to both U Block (10).
- Attach Slat Support Leg (9) to Slat Support (8) using Bolts (E) and Allen Key (I).
- Secure all 4 corners using Bolts (C) to Headboard Base (2) & Footboard (4) using Allen Key (J).



ITEMS REQUIRED



- Install all three *Headboard Support (3)* to the back of *Headboard Base (2)* using *Bolts (D)*, *Spring Washer (A)*, *Flat Washer (B)* and *Allen Key (J)*.
- Please refer to diagram for which bolts, washers and Allen keys to use in each position.
- Insert *Dowel (H)* to *Headboard Base (2)* as guide and support for *Headboard (1)*.
- Secure *Footboard (4)* to both *Siderail (5 & 6)* using *Screw (K)*.



- Mount *Headboard (1)* to *Headboard Support (3)*.
- Use wooden *Dowel (H)* to guide the positioning of *Headboard (1)*.
- Please refer to diagram for the type of *Bolts* to use in different position.

ITEMS REQUIRED

3

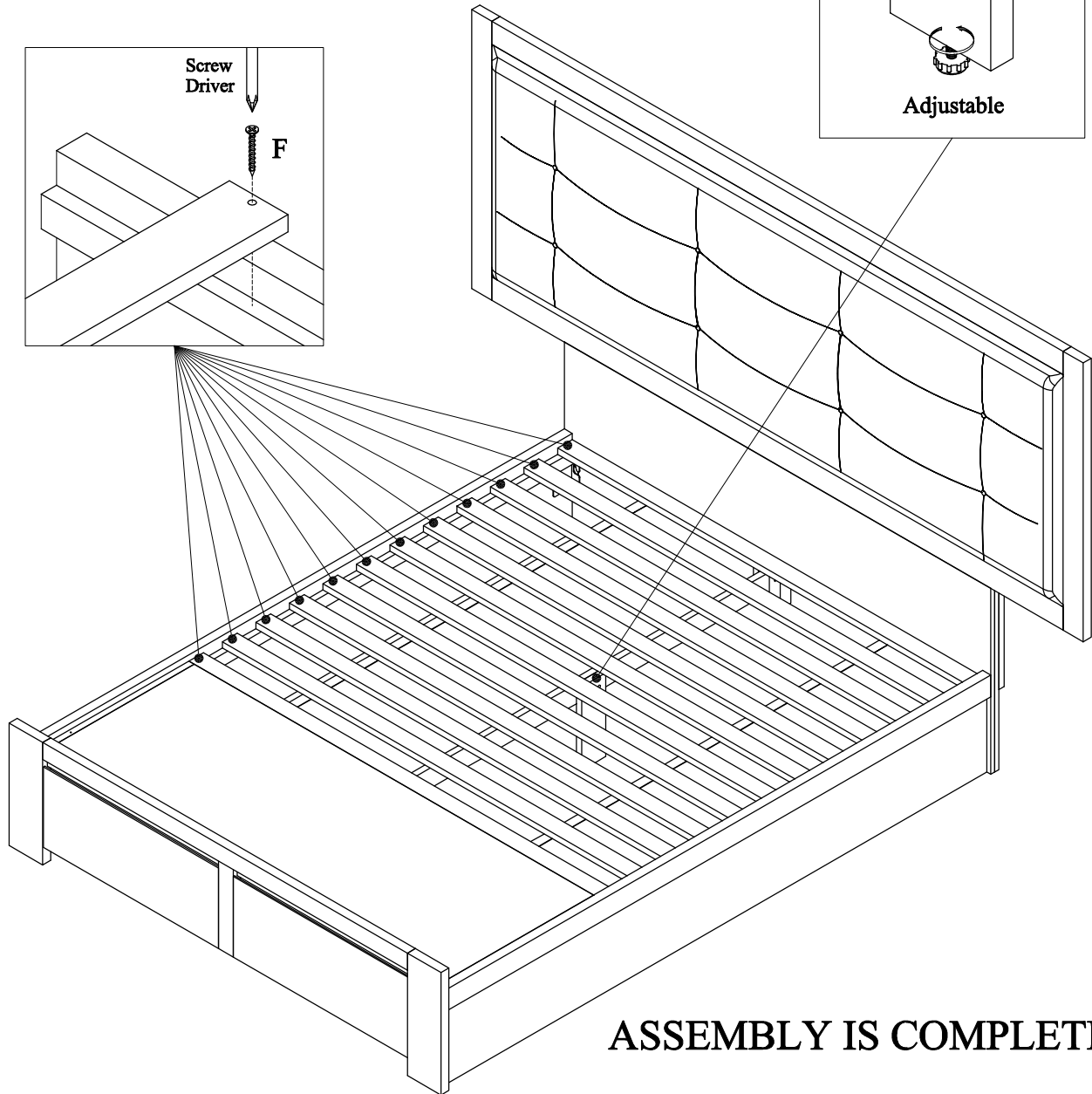
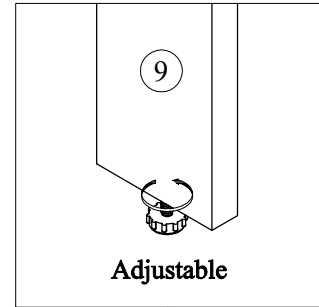
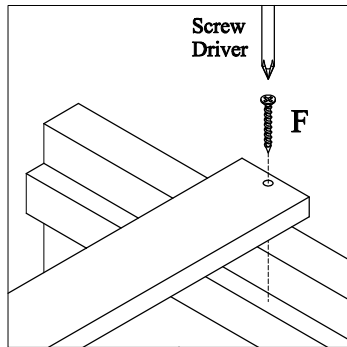
F. Screw

24pcs

CSK M4 x 32mm



- Once the bed is positioned, the *Slat Support Leg (9)* should be adjusted to touch the floor.
- Place *Slats (7)* to ledge of *Side Rails (5 & 6)*.
- Attach together using *Screw (F)*.
- Tighten with screw driver or power drill on low speed setting.



Important Notes:

- Once the bed is positioned, the support leg should be adjusted to touch the floor.
- The slat may then be laid down and secured before putting on the mattress.
- **DO NOT** push or pull the bed for repositioning as this may damage the bed and cause the support leg for the centre rail to break.

CARE AND MAINTENANCE



- A multi-step finish is applied to all our furniture, but all wood comes from nature. Because of this, there will be natural variations in surface texture and grain like knots, mineral streaks and sap runs that may affect the finish. These differences in character are not defects, but distinctions that make each piece of furniture unique.
- Our furniture is built to last. Following these steps for basic care should protect your investment for years to come.
- Dust frequently with a clean damp lint-free cloth. This will help remove abrasive build up which can damage a finish over time.
- Do not place hot objects on any furniture surface. Always use a hot plate or placemat. Laminate and lacquer finishes on table tops provide added scratch and heat resistance to our furniture, but they can still be damaged without proper care.
- Avoid exposing your furniture to strong sunlight, heat outlet, open windows and dampness. Prolonged exposure to direct sunlight can fade the finish of your furniture, while extreme temperature and humidity changes can cause cracking or splitting.
- Do not expose your furniture to any liquids. Never allow water to sit on your furniture. Alcohol, nail polish and perfume are also dangerous as they will dissolve the lacquer finish in contact and may require professional repairs.
- Do not allow plastic to come in direct contact with your furniture. Chemicals in the plastic of placemats etc may soften and mark the finish if left in contact with the furniture for a period of time.