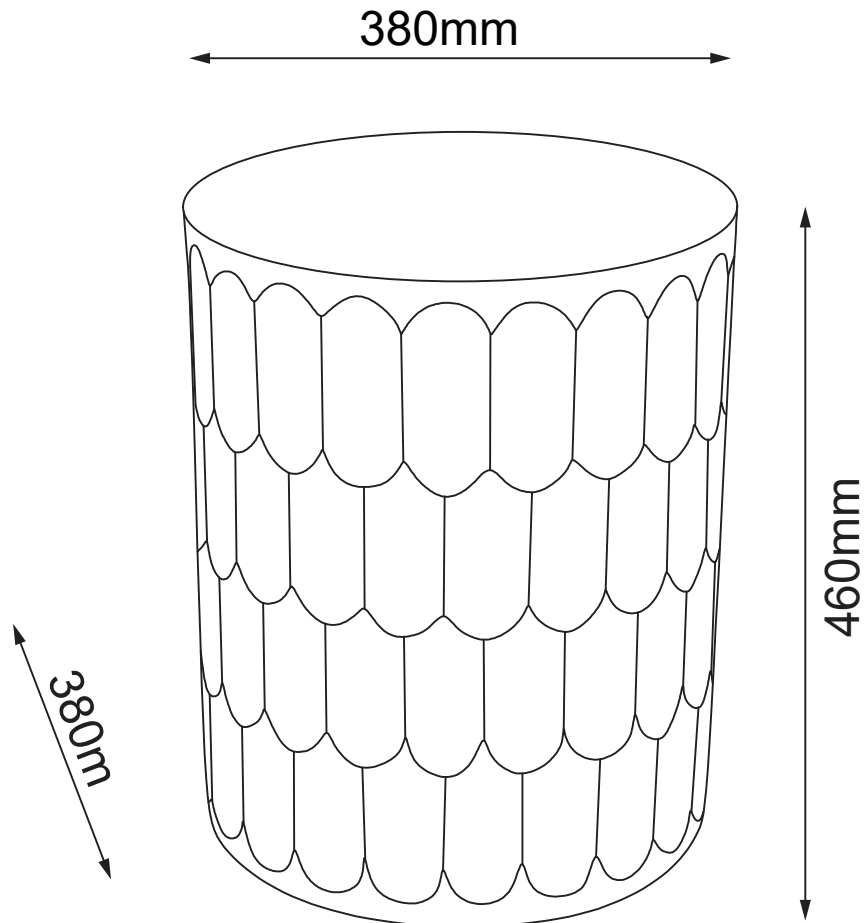


# ASSEMBLY INSTRUCTION

## RHUTHUN

### SMALL LAMP TABLE

81919

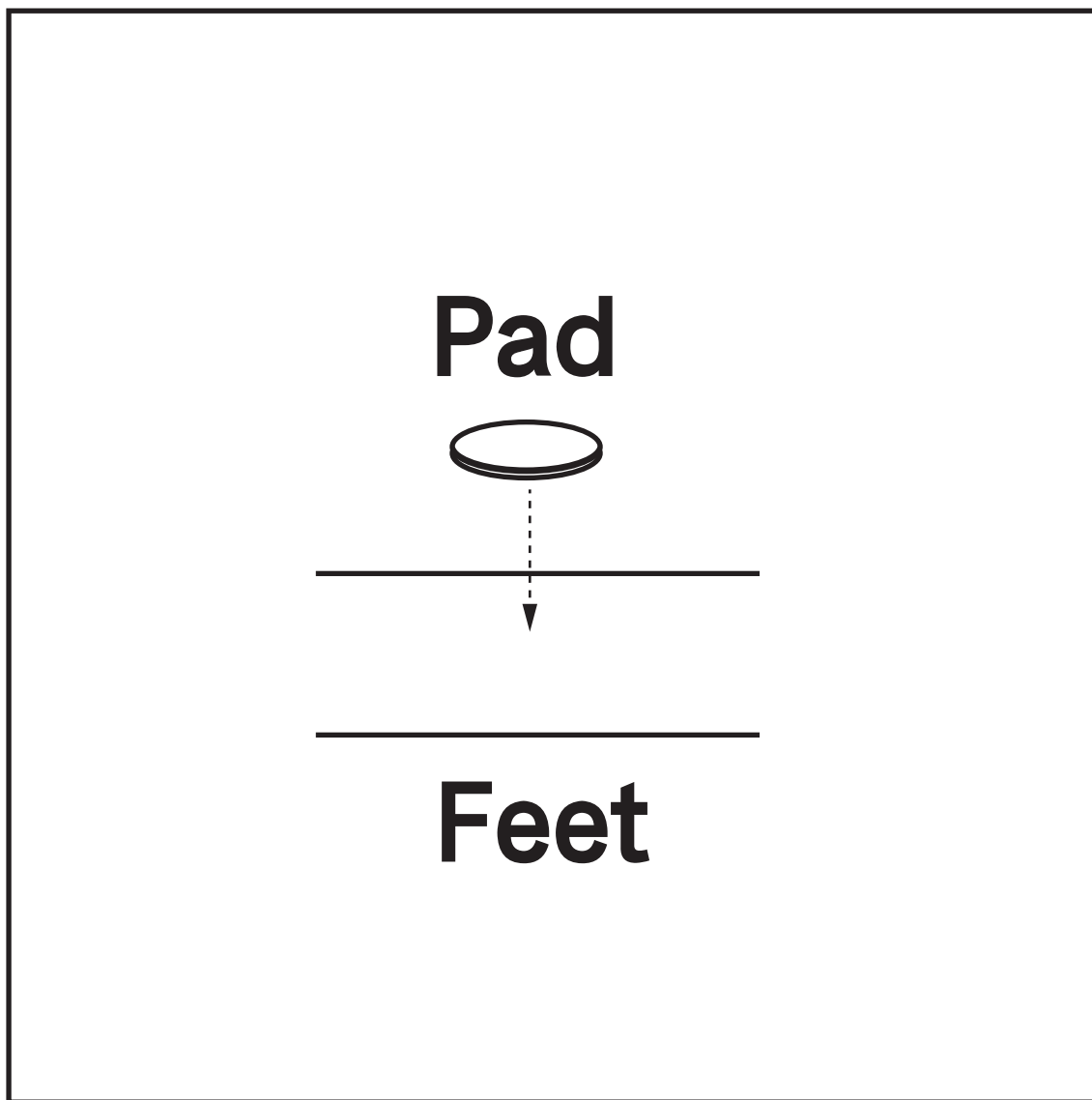


Imported by JWA Furniture Pty Ltd, Qld, Brisbane Australia.  
For any assistance with assembly or for missing parts please refer to your receipt

# PAD INSTRUCTIONS

To protect your product and floor, we provide pads to customers. As the picture show, customer could paste pads on the bottom of product feet.

NOTE: Please adjust the pastelocation of pads according to the actual situation.



## PRODUCT CARE:

If the glass is chipped or broken, stop using the product and consult place of purchase.

### WARNING:

- Do not place very hot or cold items on the glass surface unless adequately thick table mats are used to prevent such items coming in contact with the glass
- Do not sit or stand upon the glass surface
- Do not use the glass as a chopping surface
- Do not strike the glass with hard or pointed items
- When cleaning the glass panels use a damp cloth or leather with washing up liquid or soft soap if necessary. Do not use washing powders or any other substances containing abrasives since these may scratch the glass