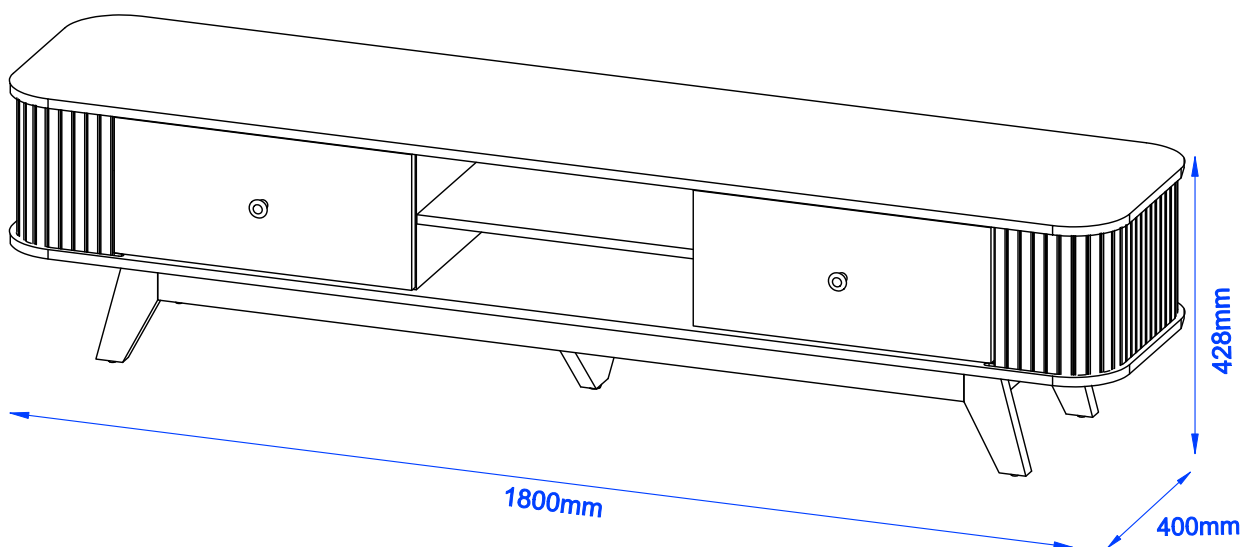


ASSEMBLY INSTRUCTION
REILLY
2 DRAWER ENTERTAINMENT UNIT
ITEM CODE 83452











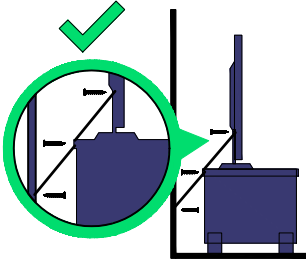
Imported by JWA Furniture Pty Ltd, Qld, Brisbane Australia
For any assistance with assembly or for missing parts please refer to your receipt

PRE-ASSEMBLY PREPARATION


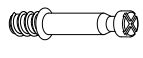
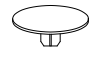






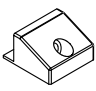

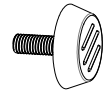
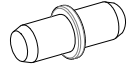


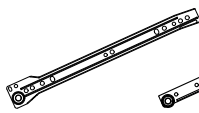
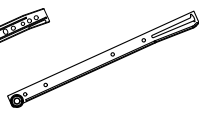
Before you start:

1. Choose a clean, level, spacious assembly area. Avoid hard surfaces that may damage the product.
2. Take care when lifting. Product should be assembled as near as possible to the point of use.
3. Ensure that you have all required contents for complete assembly.
4. Always read the assembly instructions carefully before beginning assembly.
5. Keep all hardware parts and packaging out of reach of small children.
6. Do not over tighten the screws and bolts as this may damage the threads.
7. Assembly is to be carried out by a competent adult(s) ONLY.
8. During assembly, children should be kept away from the product due to possible risk to injury.
9. Do not use this item if any components are missing or damaged.
10. Please keep the instructions for future reference.

			
ALLOW 60 MINUTES	PEOPLE REQUIRED		
			
ADDITIONAL TOOL REQUIRED			

 WARNING		
		<p>Children have died from furniture tipover.</p> <ul style="list-style-type: none">• NEVER allow children to stand, climb or hang on drawers, doors, or shelves.• ALWAYS secure your television with an anchor device or mount the television on a wall. <p>This is a permanent label. Do not remove!</p>

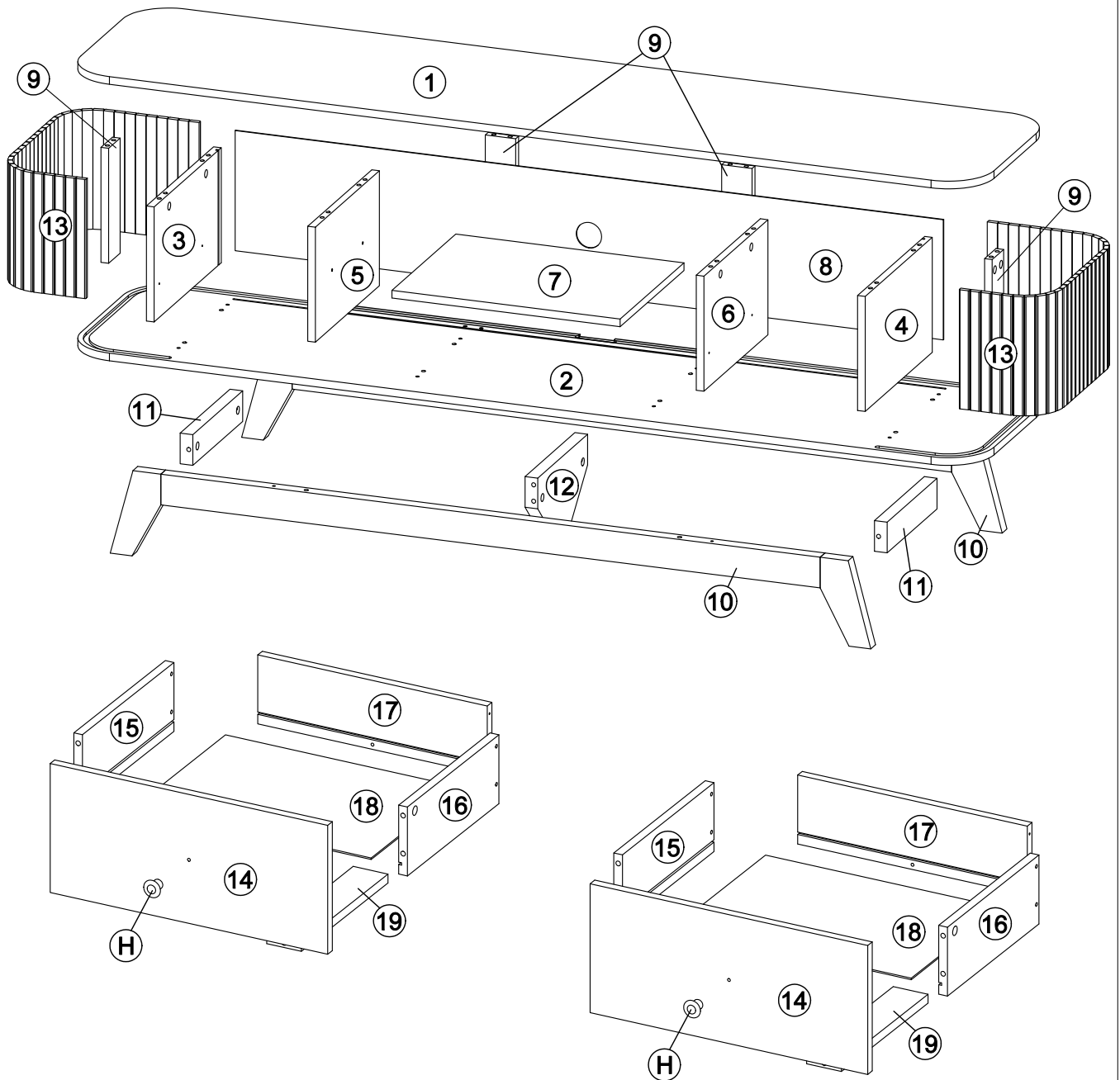
PARTS LIST

<p>(A) X 30 SETS</p> <div style="display: flex; justify-content: space-around; align-items: center;">    </div> <p style="text-align: center;">A1 A2 A3 MINIFIX</p>	<p>(B) X 30</p>  <p style="text-align: center;">WOOD DOWEL M8 X 30</p>	<p>(C) X 16</p>  <p style="text-align: center;">CSK SCREW M6 X 50MM</p>	<p>(D) X 1</p>  <p style="text-align: center;">ALLEN KEY M4</p>	<p>(E) X 24</p>  <p style="text-align: center;">C.B SCREW M3.5 X 16MM</p>
<p>(F) X 18</p>  <p style="text-align: center;">C.B SCREW M4 X 38MM</p>	<p>(G) X 4</p>  <p style="text-align: center;">PVC NAIL LEG 5/8"</p>	<p>(H) X 10 SETS</p> <div style="display: flex; justify-content: space-around; align-items: center;">   </div> <p style="text-align: center;">H1 H2 STUB 192 WITH TAPPING SCREW</p>	<p>(I) X 1</p>  <p style="text-align: center;">BASE GLIDE M6 X 23MM</p>	<p>(J) X 4</p>  <p style="text-align: center;">METAL SHELF SUPPORT</p>
<p>(K) X 2</p>  <p style="text-align: center;">C.B SCREW M4 X 25MM</p>	<p>(L) X 2</p>  <p style="text-align: center;">HANDLE 209 KNOB</p>	<p>(M) X 2 SETS</p> <div style="display: flex; justify-content: space-around; align-items: center;">   </div> <p style="text-align: center;">M1 M2 DRAWER SLIDE 12"</p>		

1	TOP PANEL	1 PC
2	BOTTOM PANEL	1 PC
3	SIDE PANEL (L)	1 PC
4	SIDE PANEL (R)	1 PC
5	CENTER PANEL (L)	1 PC
6	CENTER PANEL (R)	1 PC
7	SHELF PANEL	1 PC
8	BACK PANEL	1 PC
9	BACK & SIDE SUPPORT	4 PCS
10	CABINET LEG	2 PCS

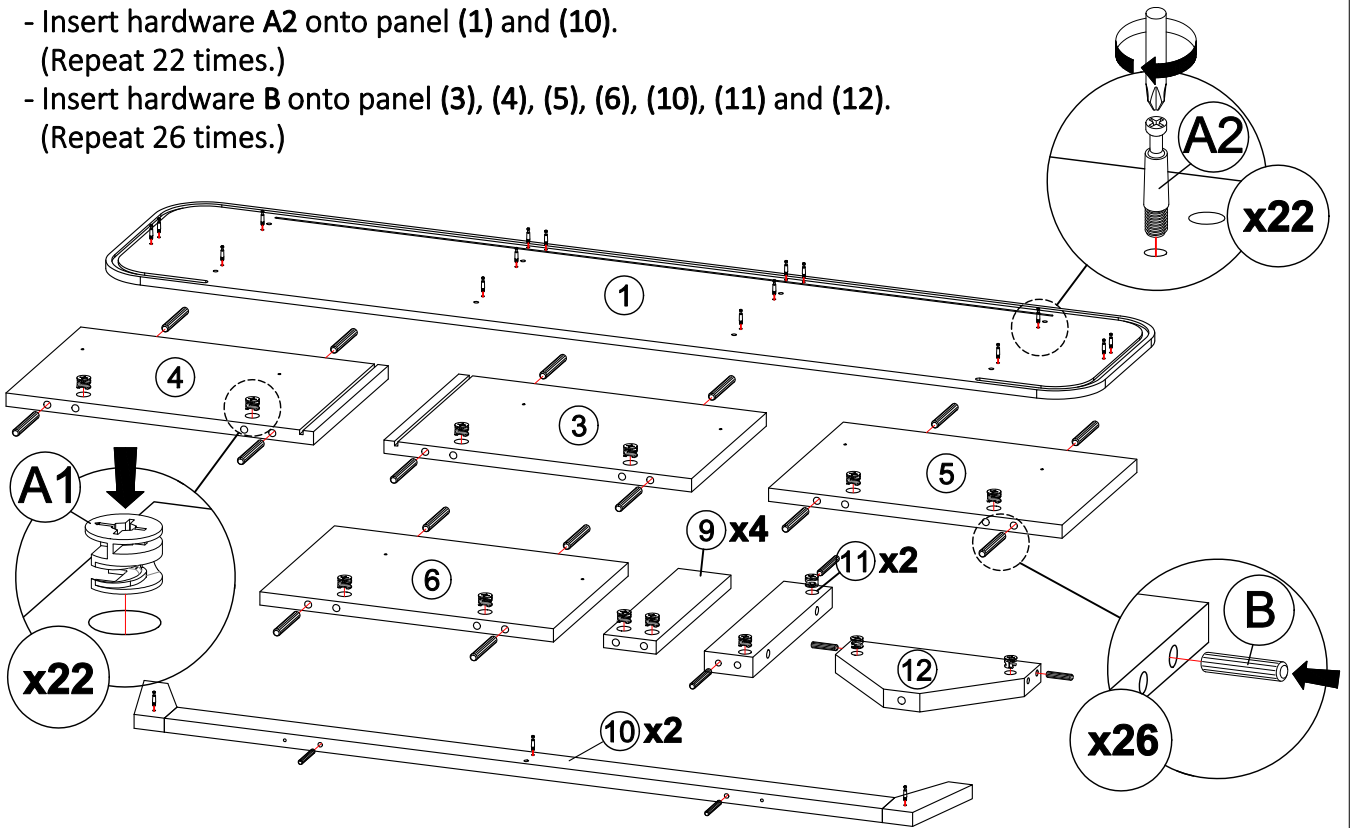
11	SIDE APRON	2 PCS
12	CENTER LEG	1 PC
13	SLIDING DOOR (L/R)	2 PCS
14	DRAWER FRONT	2 PCS
15	DRAWER SIDE (L)	2 PCS
16	DRAWER SIDE (R)	2 PCS
17	DRAWER BACK	2 PCS
18	DRAWER BOTTOM	2 PCS
19	DRAWER BONE	2 PCS

PARTS LIST



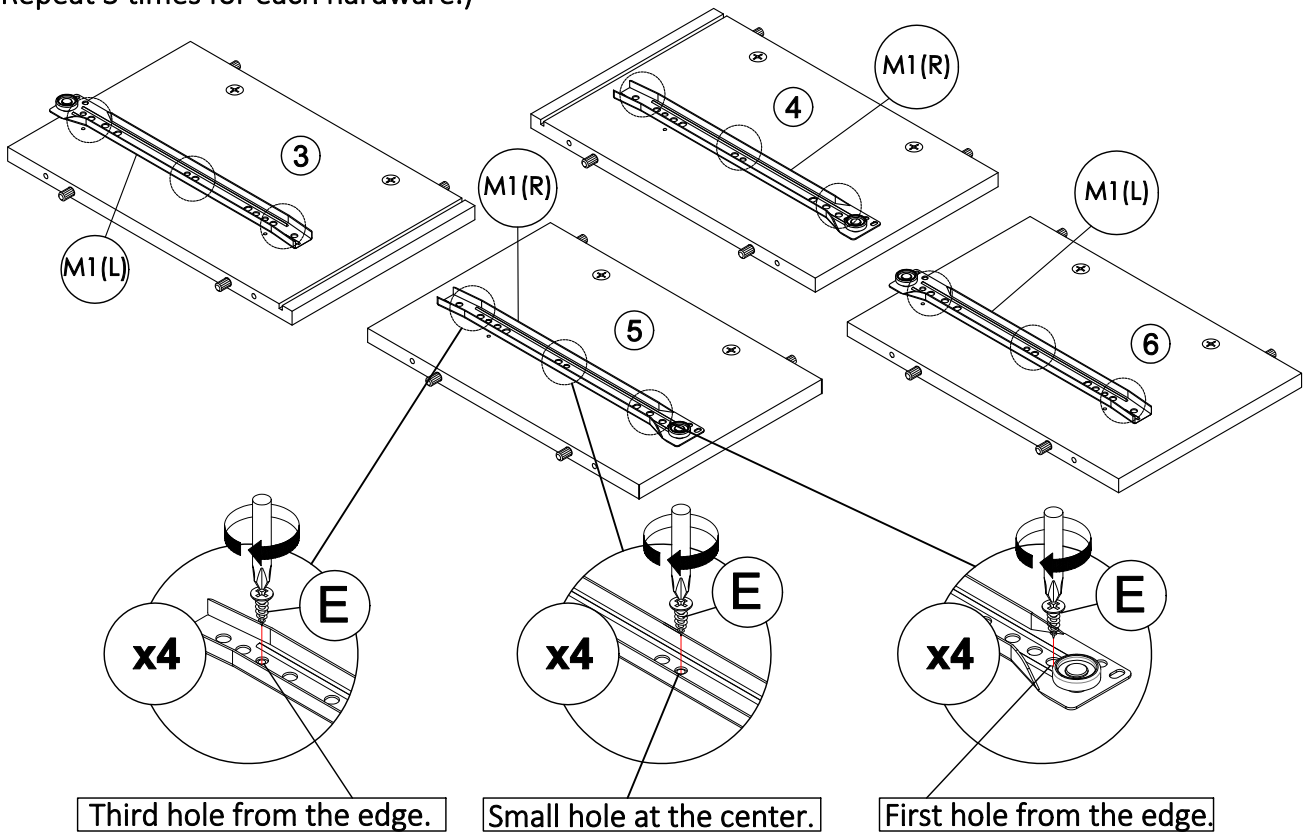
STEP 1:

- Insert hardware A1 onto panel (3), (4), (5), (6), (9), (11) and (12).
(Repeat 22 times.)
- Insert hardware A2 onto panel (1) and (10).
(Repeat 22 times.)
- Insert hardware B onto panel (3), (4), (5), (6), (10), (11) and (12).
(Repeat 26 times.)



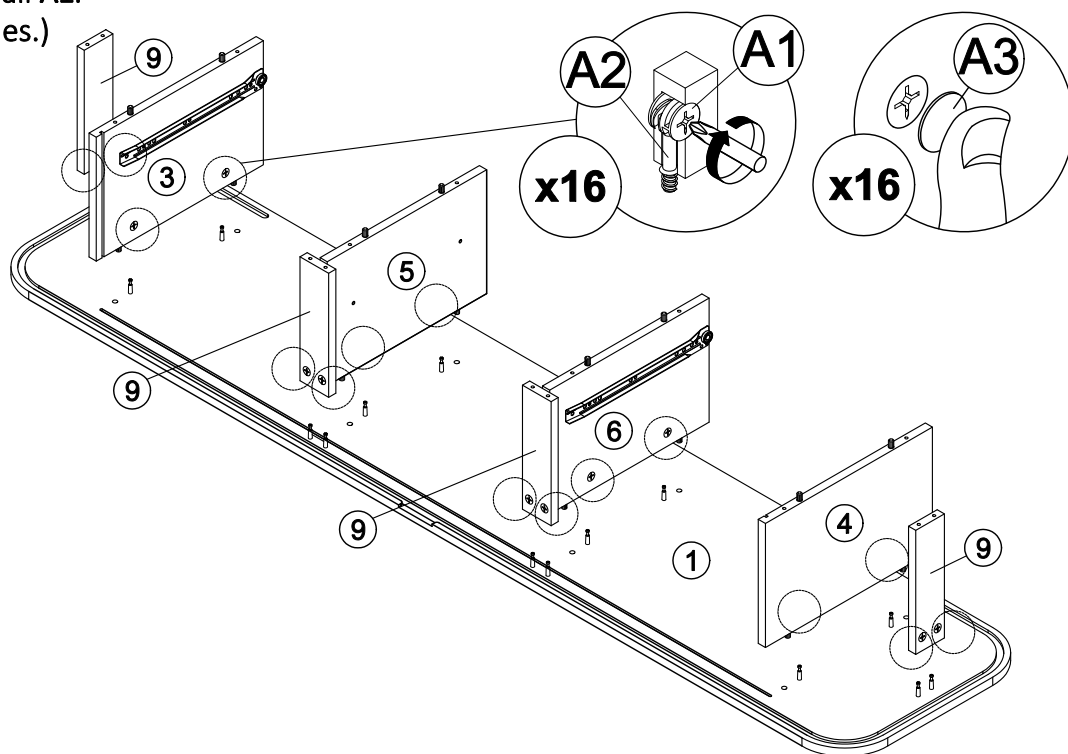
STEP 2:

- Fix hardware M1 (L) into panel (3), (6), and hardware M1 (R) into panel (4), (5), with hardware E.
(Repeat 3 times for each hardware.)



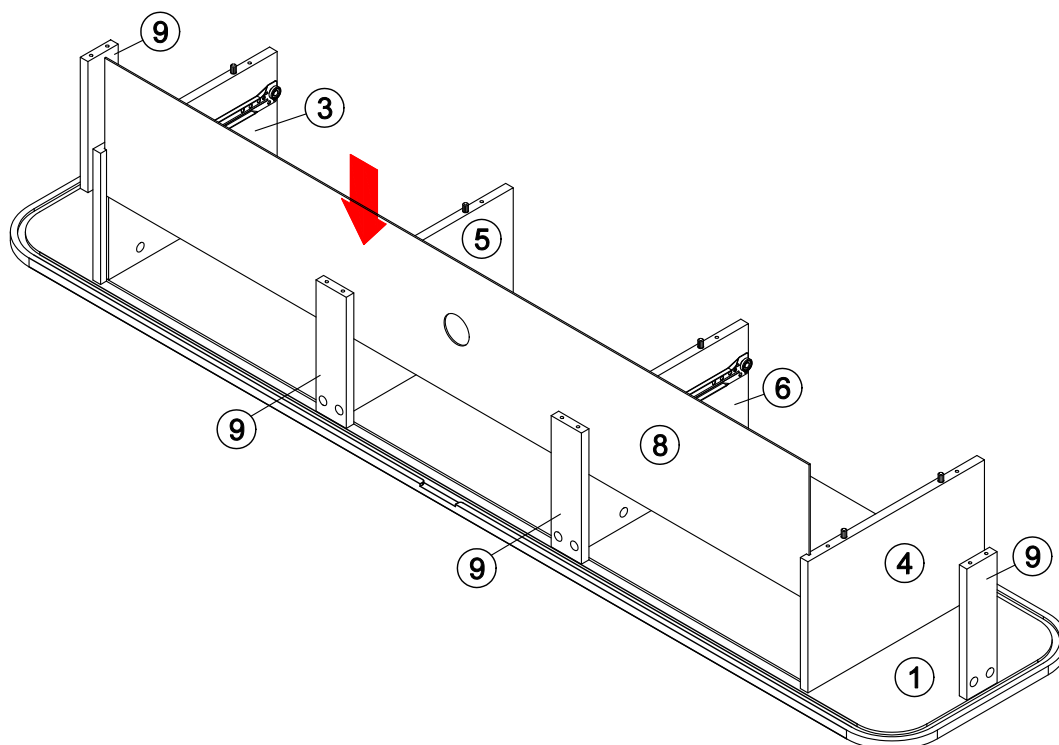
STEP 3:

- Attach panel (3), (4), (5), (6) and (9) to panel (1).
- Insert all hardware A2 into A1.
- Rotate all A1 until tight.
- Apply A3 onto all A1.
- (Repeat 16 times.)



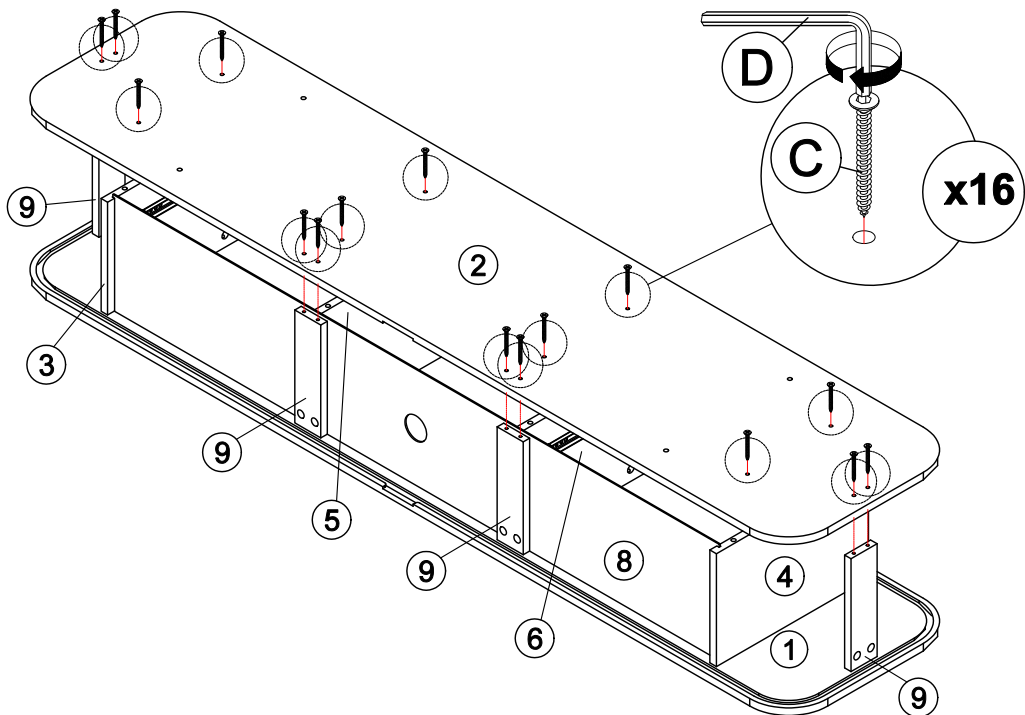
STEP 4:

- Assemble panel (8) to entire body into along the slot at panel (1), (3) and (4).



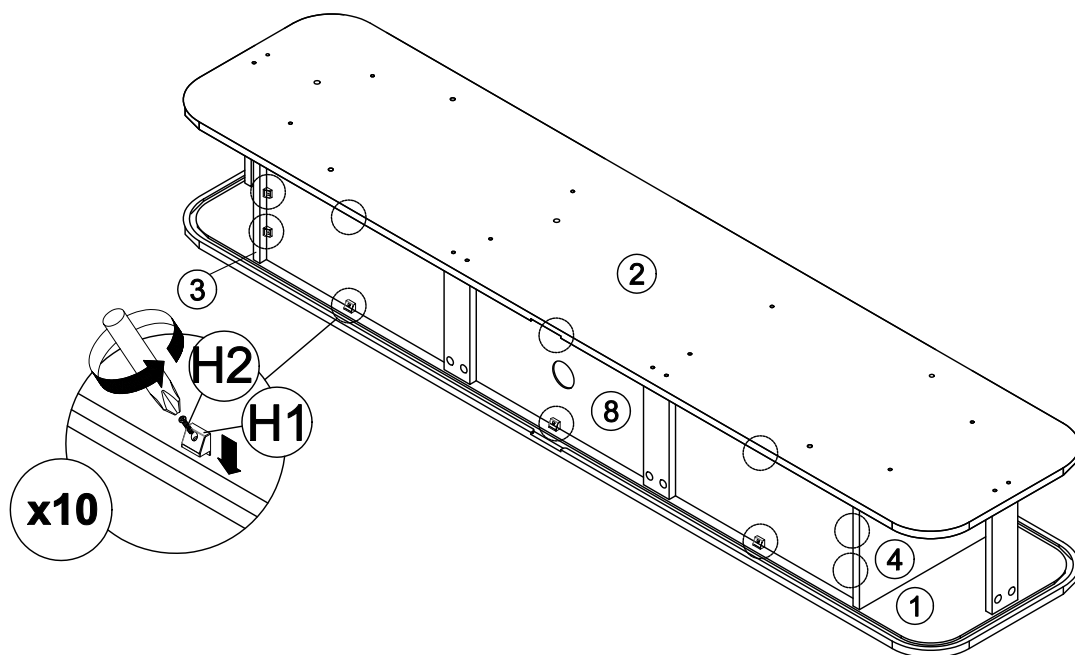
STEP 5:

- Assemble panel (2) to panel (3), (4), (5), (6) and (9) with hardware C and D.
- (Repeat 16 times.)



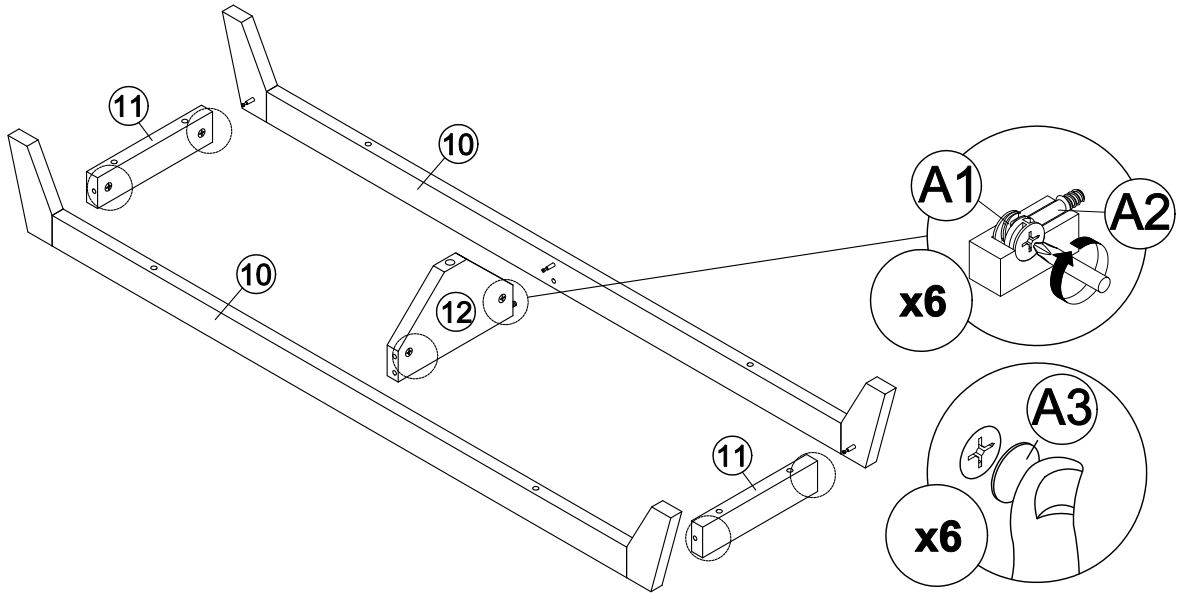
STEP 6:

- Insert hardware H1 into slot at panel (1), (2), (3) and (4).
- Assemble hardware H1 by using hardware H2.
- (Repeat 10 times.)



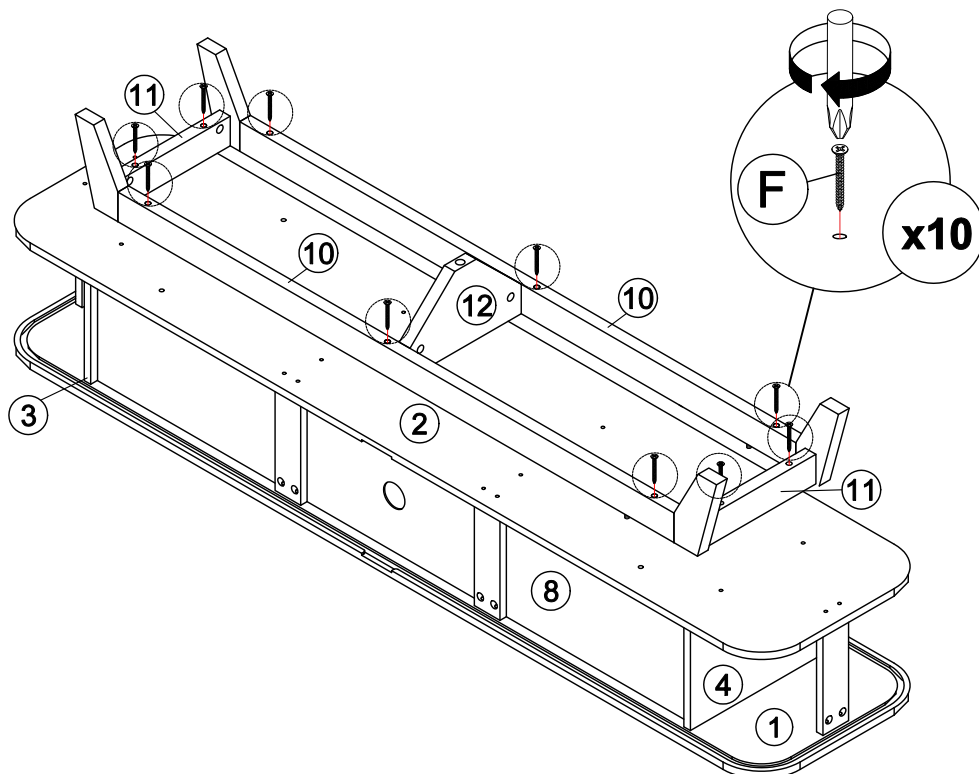
STEP 7:

- Attach panel (11) and (12) to panel (10).
- Insert all hardware A2 into A1.
- Rotate all A1 until tight.
- Apply A3 onto all A1.
- (Repeat 6 times.)



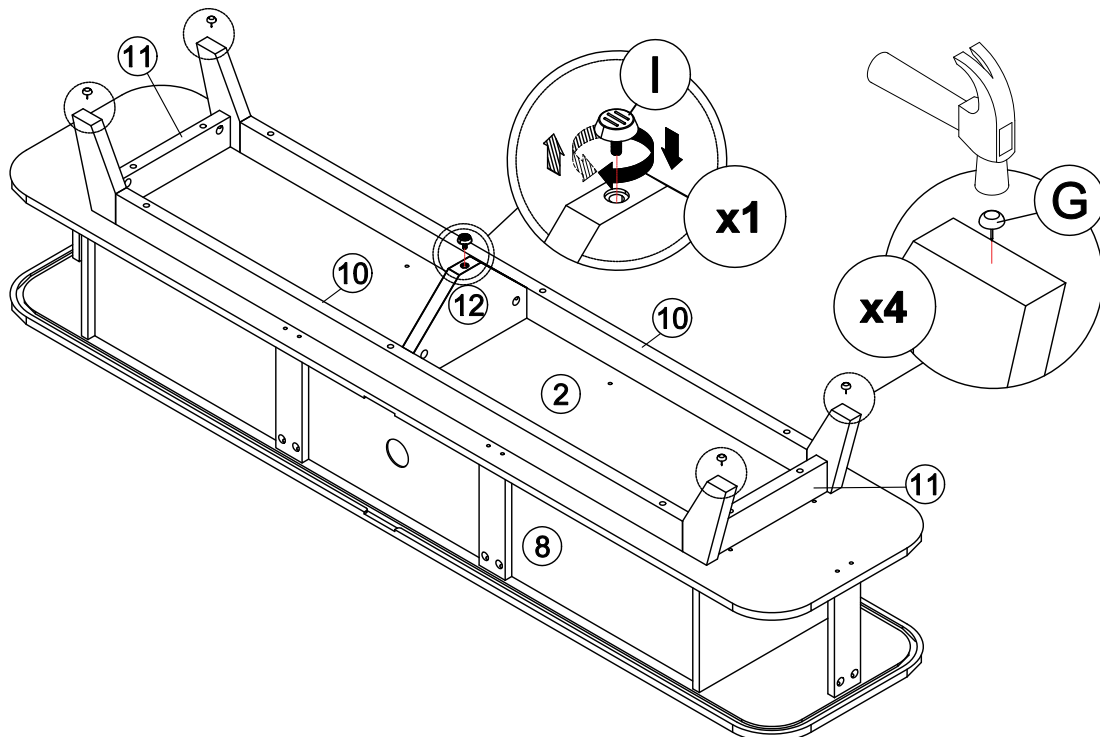
STEP 8:

- Assemble panel (10) and (11) to panel (2) with hardware F.
- (Repeat 10 times.)



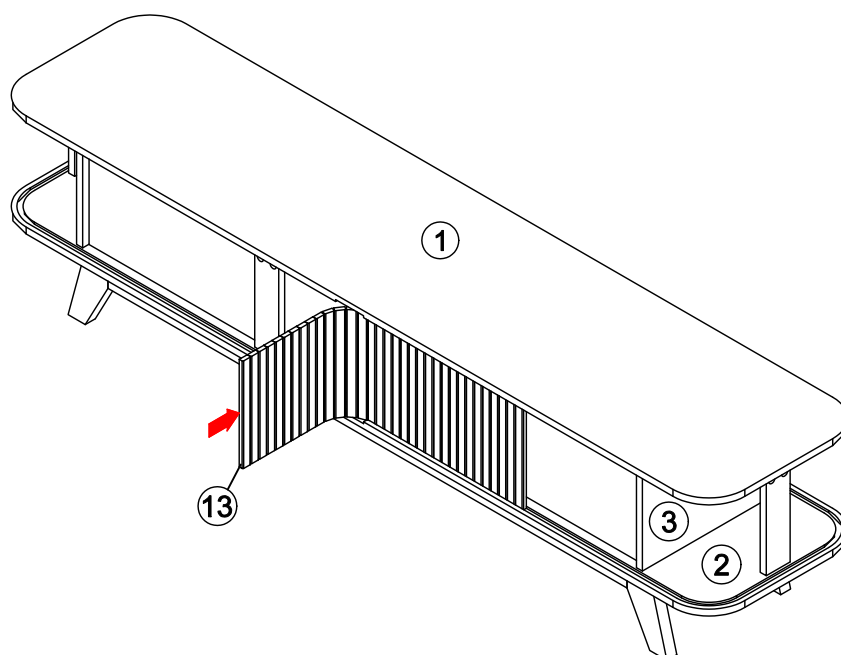
STEP 9:

- Hit hardware G into bottom of panel (10).
(Repeat 4 times.)
- Insert hardware I into bottom of panel (12). Please note that the hardware I can be adjusted to change the height of panel (12) if necessary.



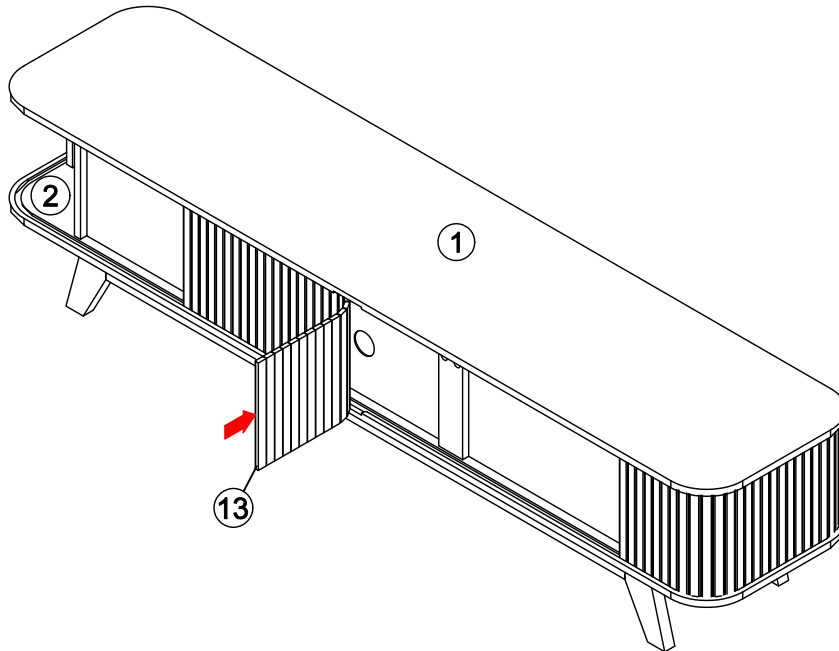
STEP 10:

- Put the panel (13) in place along the slot at panel (1) and (2).



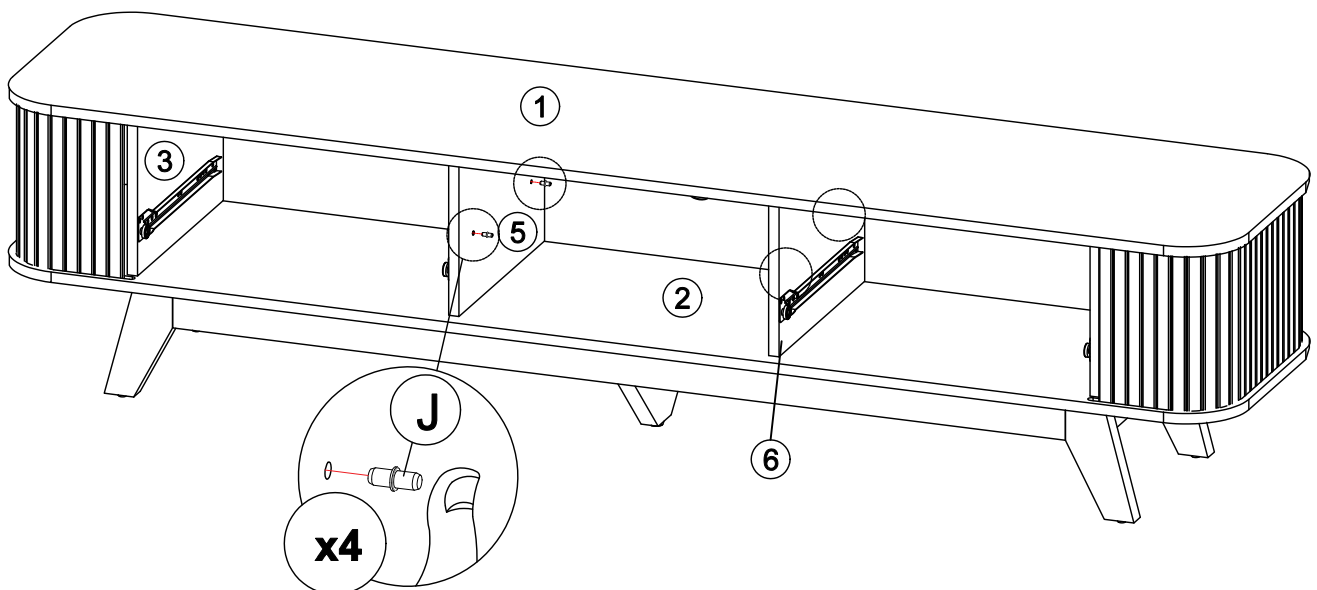
STEP 11:

- Put the panel (13) in place along the slot at panel (1) and (2).



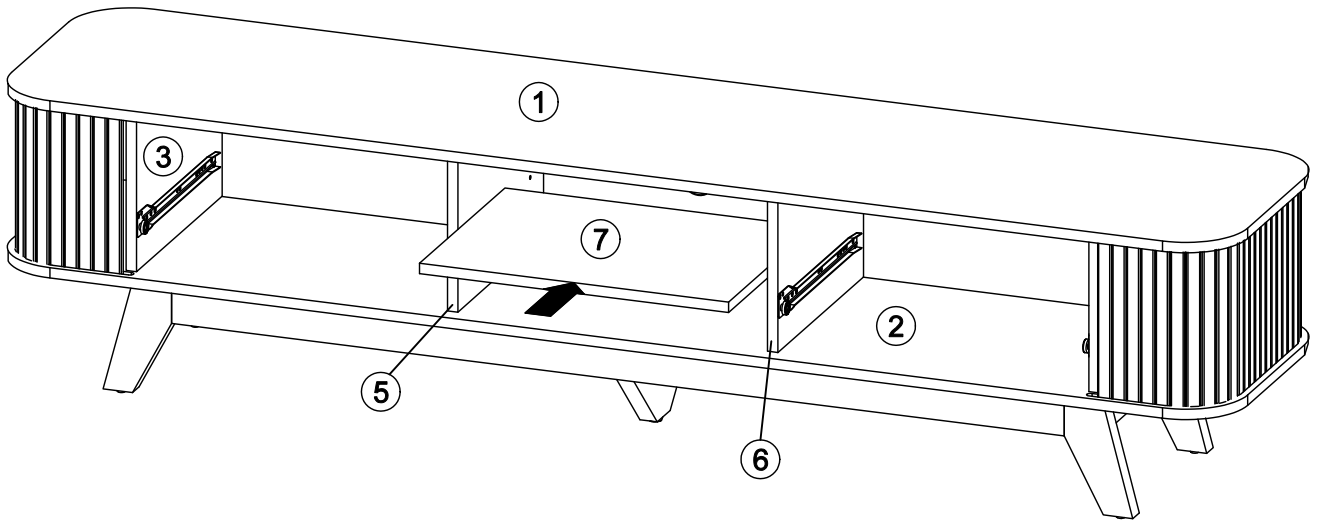
STEP 12:

-Insert hardware J into mounting positions on panel (5) and (6) by hand.
(Repeat 4 times.)



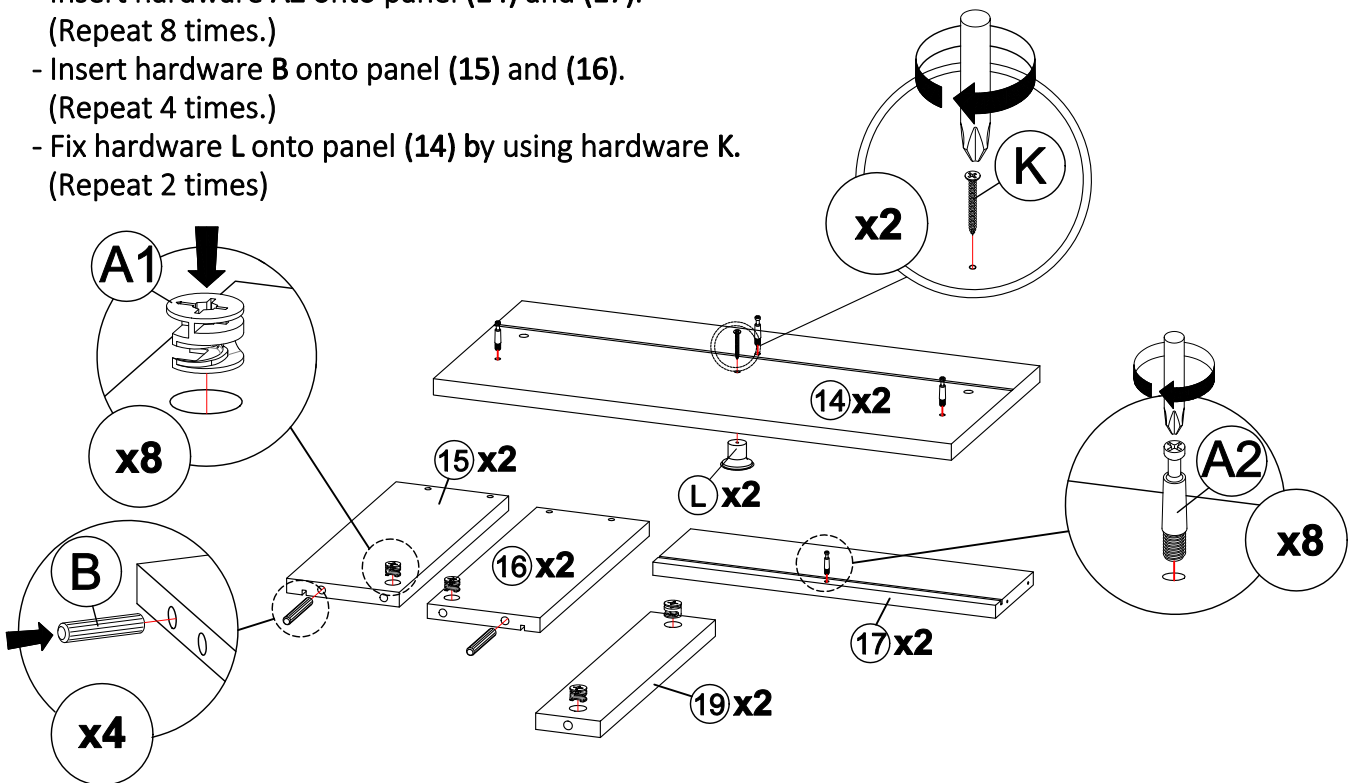
STEP 13:

Assemble the panel (7) into between panel (5) and (6).



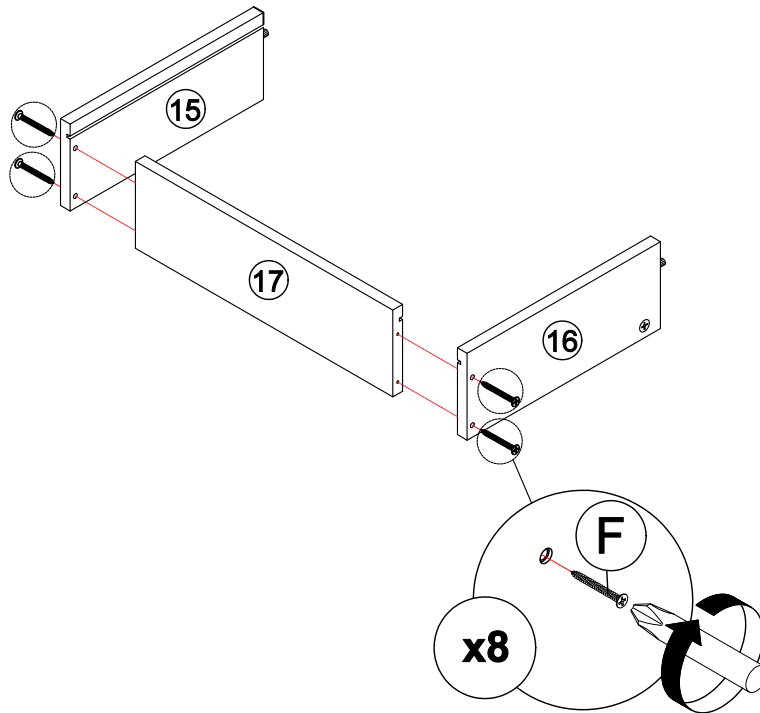
STEP 14:

- Insert hardware A1 onto panel (15), (16) and (19).
(Repeat 8 times.)
- Insert hardware A2 onto panel (14) and (17).
(Repeat 8 times.)
- Insert hardware B onto panel (15) and (16).
(Repeat 4 times.)
- Fix hardware L onto panel (14) by using hardware K.
(Repeat 2 times)



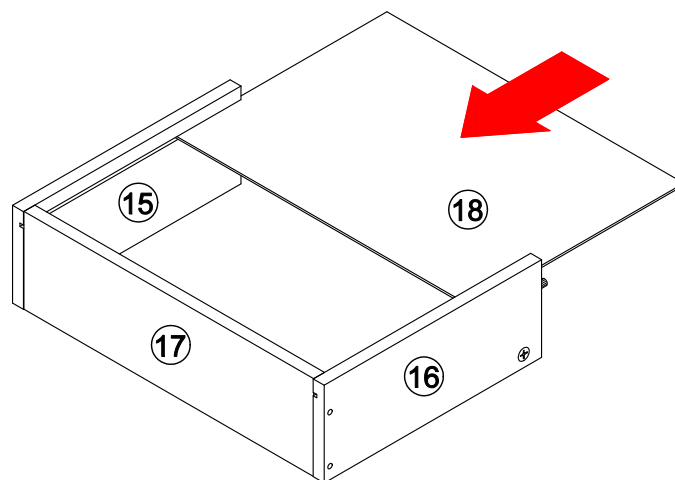
STEP 15:

Assemble the panel (15) and (16) to panel (17) by using hardware F.
(Repeat 4 times for each drawer.)



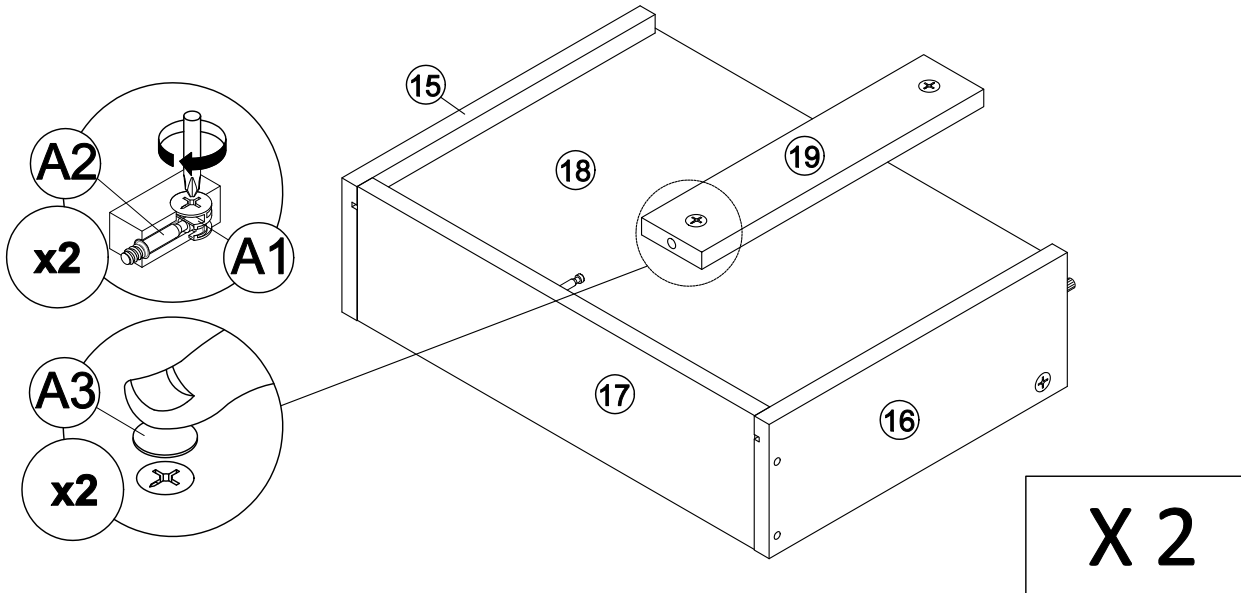
STEP 16:

Insert the panel (18) along the slot.
(Repeat 2 times.)



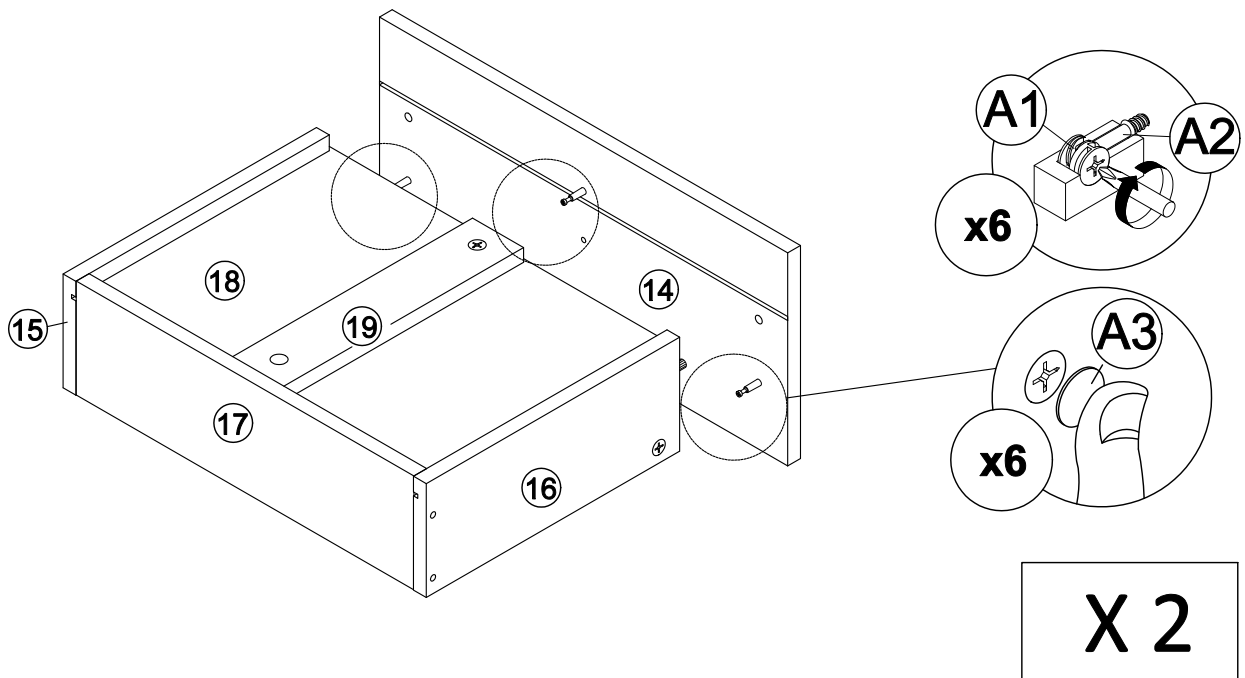
STEP 17:

- Attach panel (19) to panel (17).
- Insert all hardware A2 into A1.
- Rotate all A1 until tight.
- Apply A3 onto all A1.
- (Repeat 1 times for each drawer.)



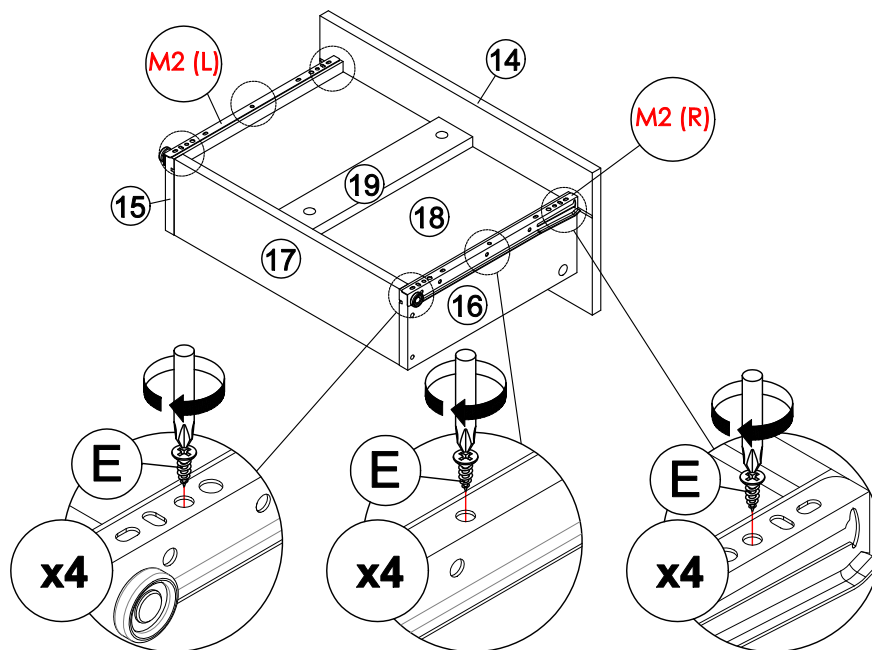
STEP 18:

- Attach panel (15), (16) and (19) to panel (14).
- Insert all hardware A2 into A1.
- Rotate all A1 until tight.
- Apply A3 onto all A1.
- (Repeat 3 times for each drawer.)



STEP 19:

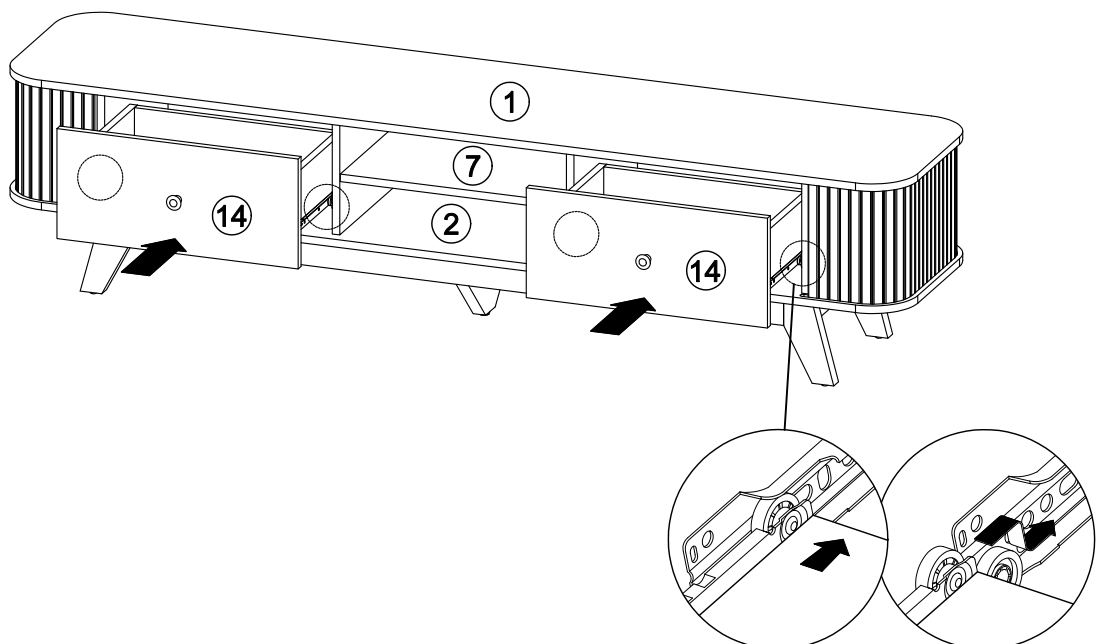
- Assemble hardware **M2 (L)** to panel **(15)** and hardware **M2 (R)** to panel **(16)** by using hardware **E**.
(Repeat 3 times for each hardware.)



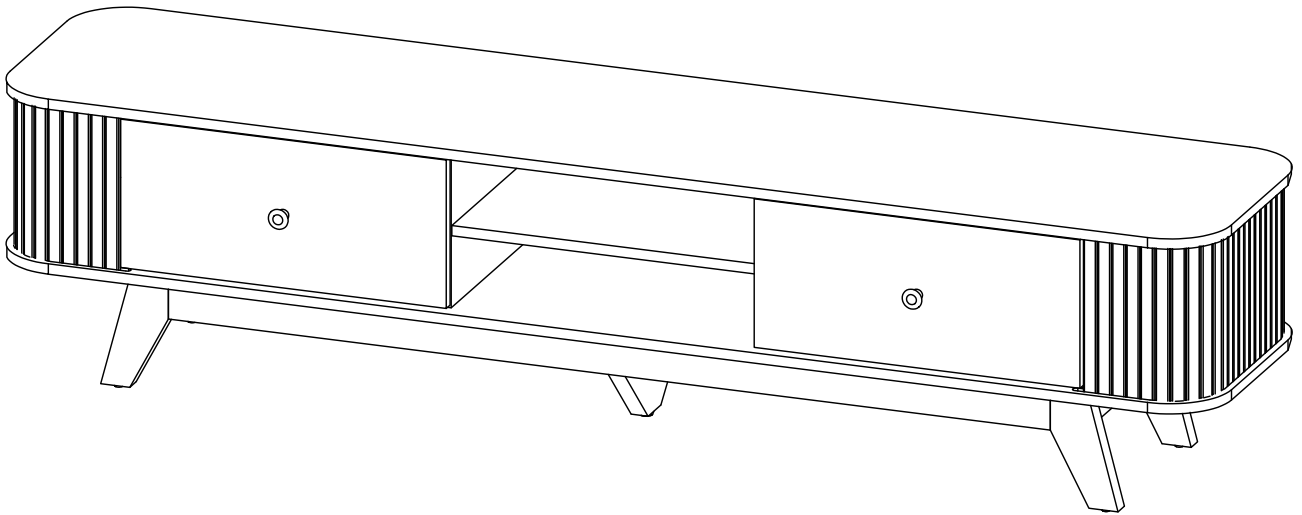
X 2

STEP 20:

- Put all the drawer in place along the drawer slides.



-ASSEMBLY IS COMPLETE



SAFETY BRACKETS INSTRUCTIONS

IF YOUR PRODUCT REQUIRES THE ADDITION OF SAFETY BRACKETS OR “TIPPING KITS” PLEASE INCLUDE THESE INSTRUCTIONS BELOW.

1. Attach one Metal Bracket to the wall with the Wall Screw. Make sure to attach the Metal Bracket into a stud. If mounting into brick or masonry you will need to acquire wall anchors.
2. Attach the second Metal Bracket to the back of furniture frame with the Pan Head Screws.
3. Move the furniture to its final position. Thread a Cable Tie through the both Metal Bracket and tighten until snug. Do not over tighten.
4. Make sure that the Metal Bracket are firmly attached to the wall and furniture and that the Cable Tie is snug.

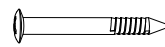
HARDWARE



Metal Bracket
X4



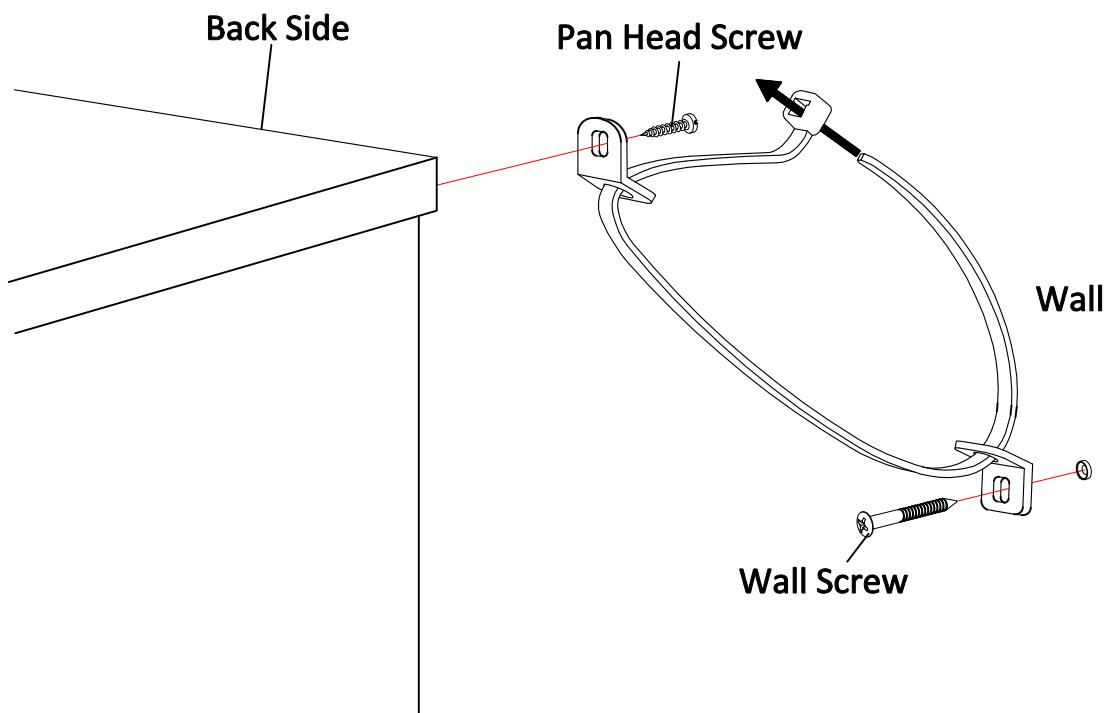
Cable Tie
X2



Wall Screw
X2



Pan Head Screw
X2



CARE AND MAINTENANCE

To protect your furniture, we suggest the following :

- Avoid placing your furniture in direct sunlight.
- Do not place furniture directly under window.
- Do not place sharp materials (knife, fork, etc.) directly onto your furniture as sharp material may scrape and damage the finish.
- Do not place material with high temperature directly onto the surface of your furniture.
- Clean up spills quickly. Water left over a prolonged period of time may cause damage. Alcohol, perfume, nail polishes, aftershave and some medication may cause server finish damage if not cleaned immediately.
- Use a clean, soft, dry, lint free absorbent cloth to clean your furniture. Do not use any detergent as they may contain ingredients that may react and damage the finish.

NOTE: If the above care advise is not adhered to your product warranty may become void.