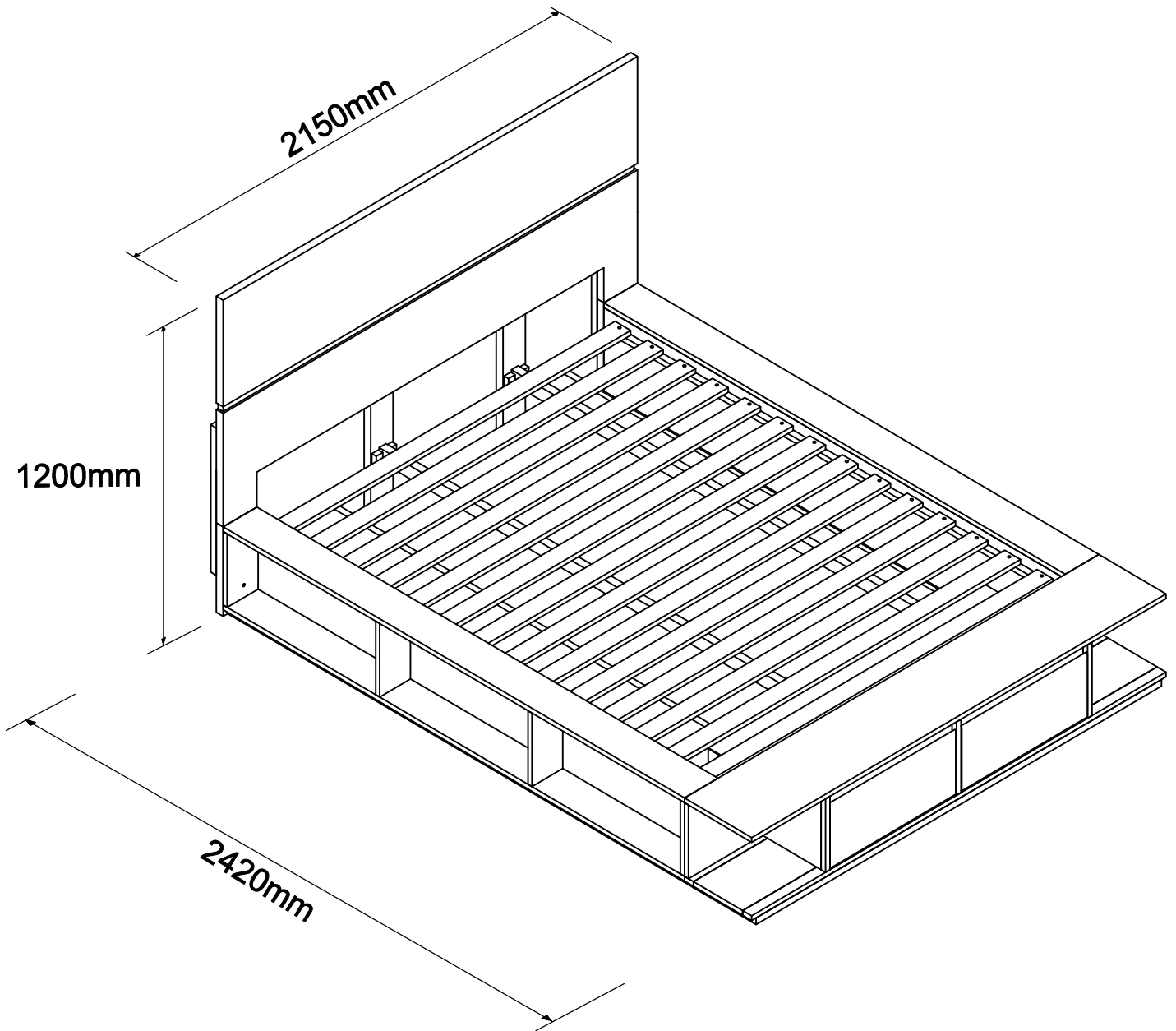


## ASSEMBLY INSTRUCTION

### MEDORA KING BED

ITEM CODE - 77277

Imported by Amart Furniture Pty Ltd, Qld, Brisbane Australia.  
for any assistance to assembly or for missing parts please phone  
Amart Furniture, Customer Service Freecall 1800 351 084

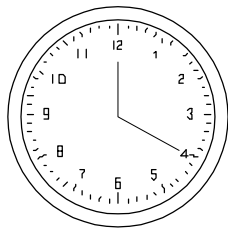


Imported by Amart Furniture Pty Ltd, Qld, Brisbane Australia.  
for any assistance to assembly or for missing parts please phone  
Amart Furniture, Customer Service Freecall 1800 351 084

# PRE-ASSEMBLY PREPARATION

## BEFORE YOU START :

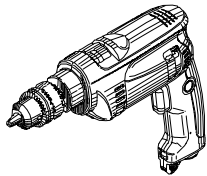
1. Choose a clean, level, spacious assembly area. Avoid hard surfaces that may damage the product
2. Take care when lifting. Product should be assembled as near as possible to the point of use
3. Ensure that you have all required contents for complete assembly
4. Always read the assembly instructions carefully before beginning assembly.
5. Keep all hardware parts and packaging out of reach of small children.
6. Do not over tighten the screws and bolts as this may damage the threads



**ALLOW 20 MINUTES**



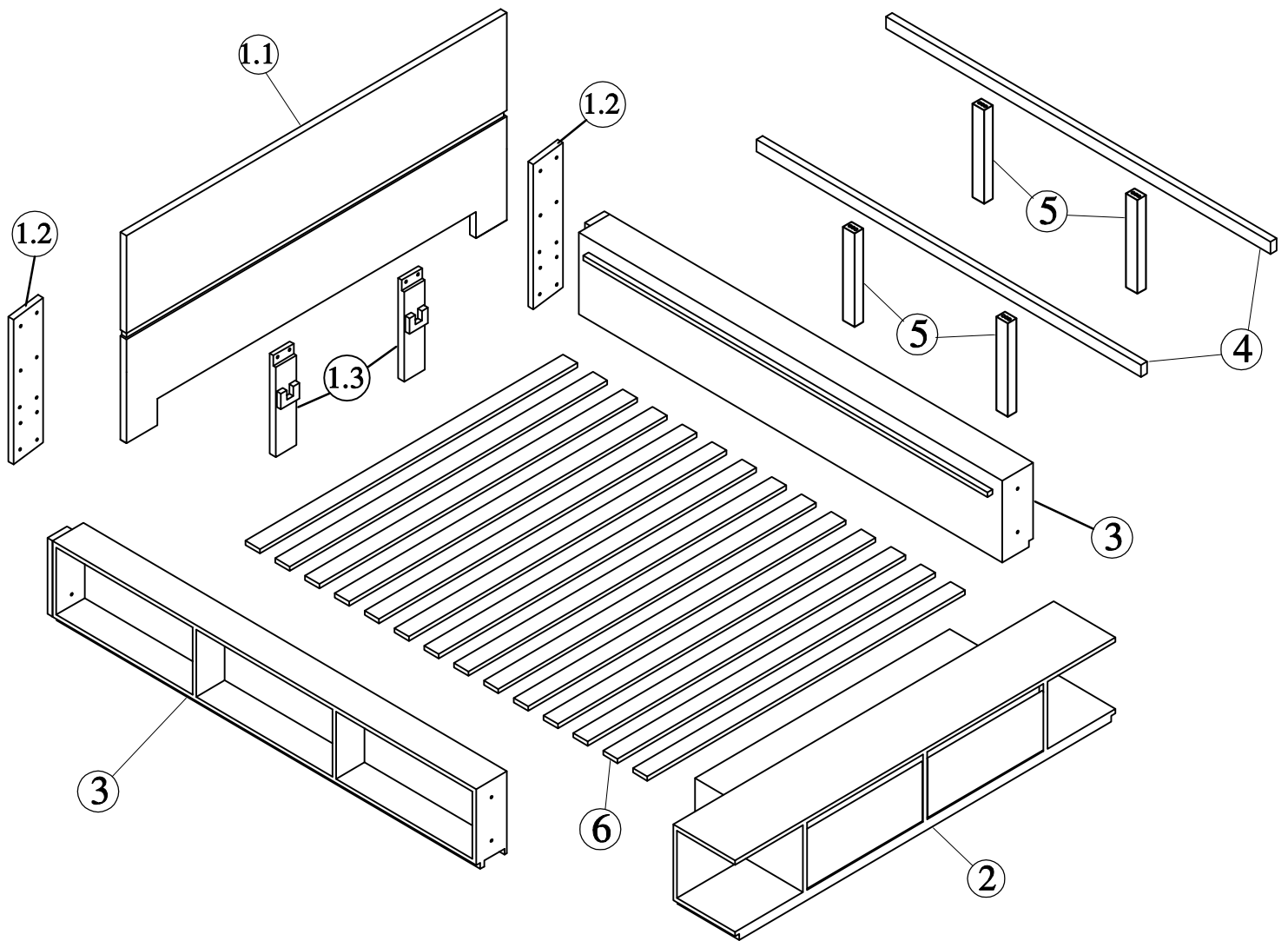
**2 PEOPLE REQUIRED**










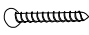

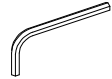
We recommend using screw driver to put this item together. However if you choose to use a power drill it must be used on **LOW SPEED (LOW TORQUE)** as too much pressure could damage the product.

**ADDITIONAL TOOLS REQUIRED**

# PARTS LIST

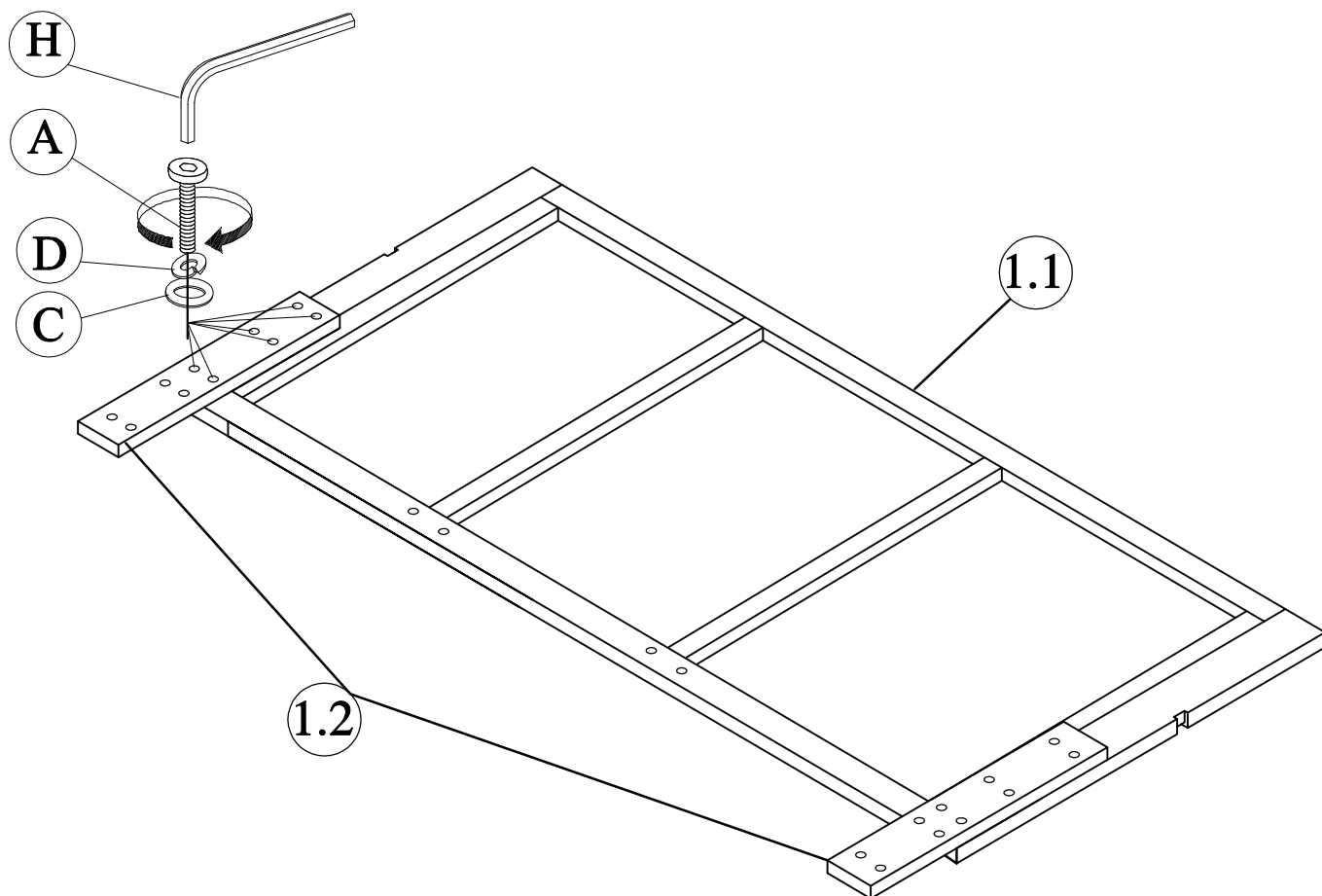


1	HEADBOARD	1pc	1.1 : HEADBOARD PANEL : 1PC
			1.2 : CONNECTING RAIL : 2 PCS
			1.3 : HEADBOARD CENTRE LEG : 2PCS
2	FOOTBOARD	1pc	
3	SIDE RAIL	2 pcs	
4	CENTRAL RAIL	2 pcs	
5	SUPPORT LEGS	4 pcs	
6	SLATS 20 x 70 x 1845 mm	14 pcs	

A. Bolt  M8 x 50mm :20pcs	B. Bolt  M6 x 35mm :8pcs	C. Washer  2mm x Ø8: 20pcs	C1. Washer  2mm x Ø6: 8pcs	D. Spring Washer  1.2mm x Ø8 :20pcs	D1. Spring Washer  1.2mm x Ø6 :8pcs	E. Bolt  M6 x 60mm:4pcs
F. Screw  Ø4 x 30mm :28pcs	G. Wood dowel  Ø8 x 30mm : 8pcs	H. Allen Key  M4 : 1pc				

# STEP 1

- Attach headboard panel (1.1) to connecting rail (1.2)
- using washer (C), spring washer (D) and bolts (A)
- Tighten with Allen Key (H).



A. Bolt



M8 x 50mm

12pcs

C. Washer



2mm x Ø8 :12pcs

D. Spring Washer



1.2mm x Ø8 : 12pcs

H. Allen Key

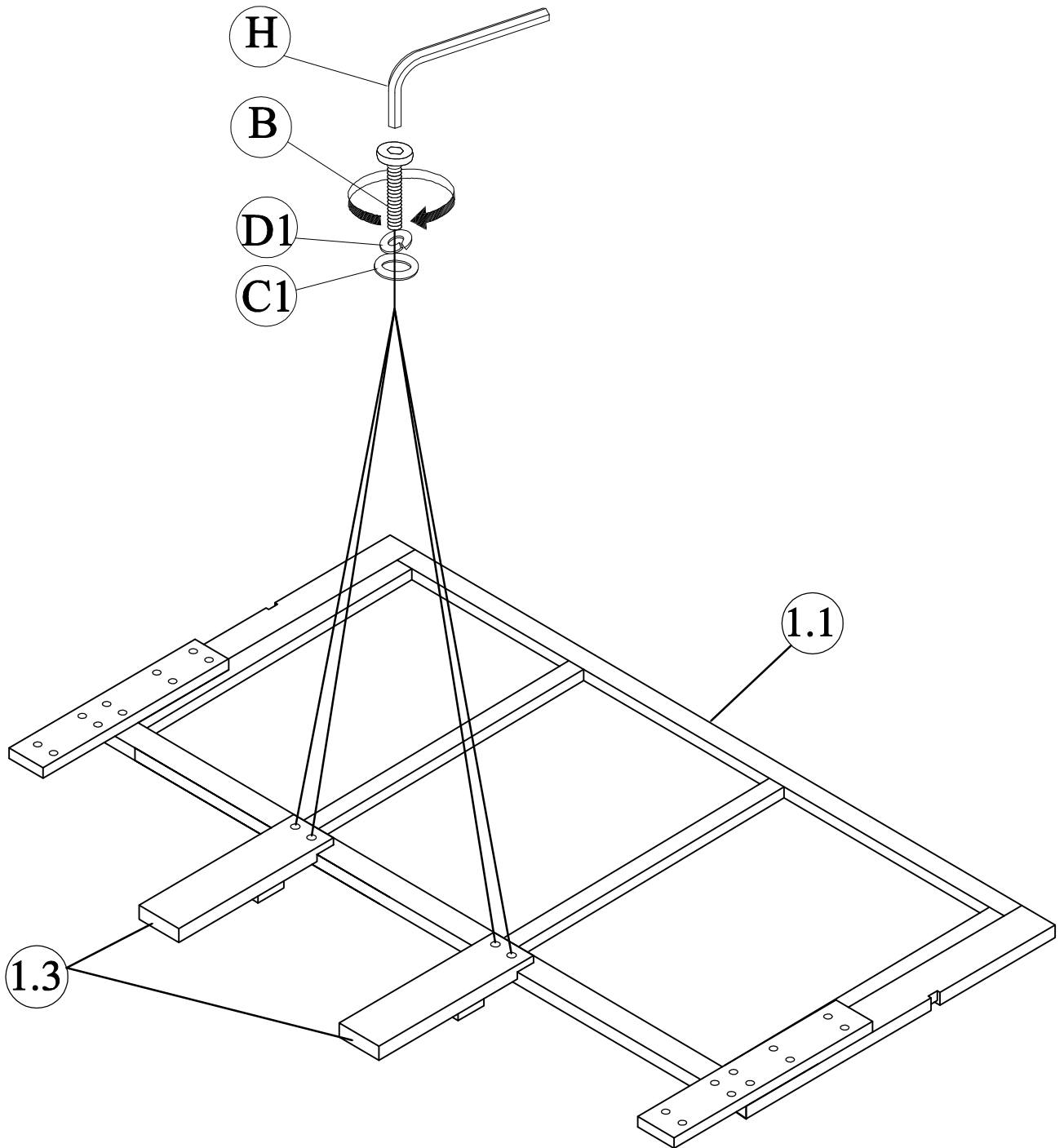


M4

1pc

## STEP 2

- Attach headboard centre leg (1.3) to headboard panel (1.1)
- Join together using washer (C1), spring washer (D1) and bolts (B)
- Tighten with allen key (H)



B. Bolt



M6 x 35mm

4pcs

C1. Washer



2mm x Ø6 :4pcs

D1. Spring Washer



1.2mm x Ø6 : 4pcs

H. Allen Key

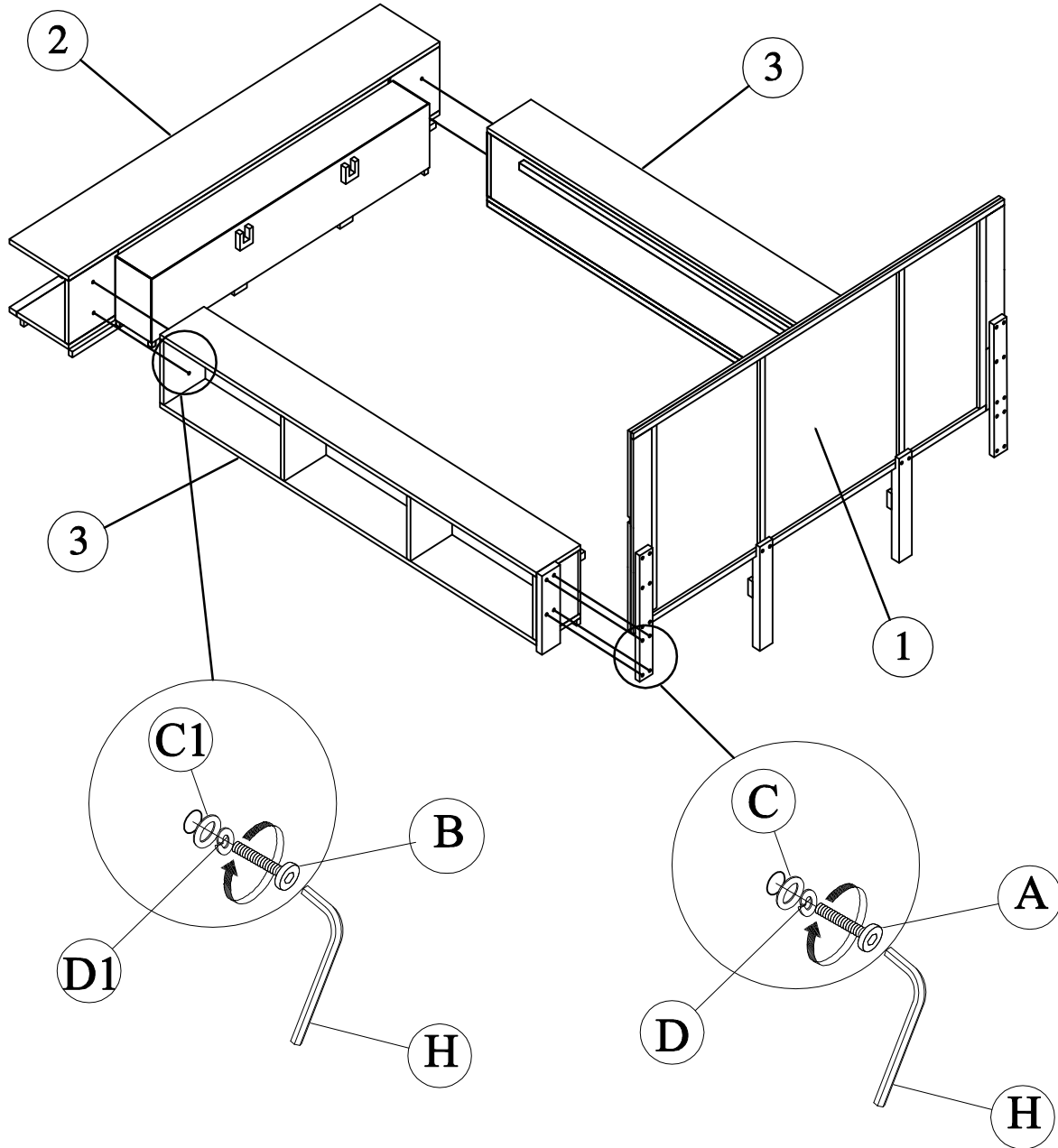








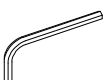
M4

1pc

# STEP 3

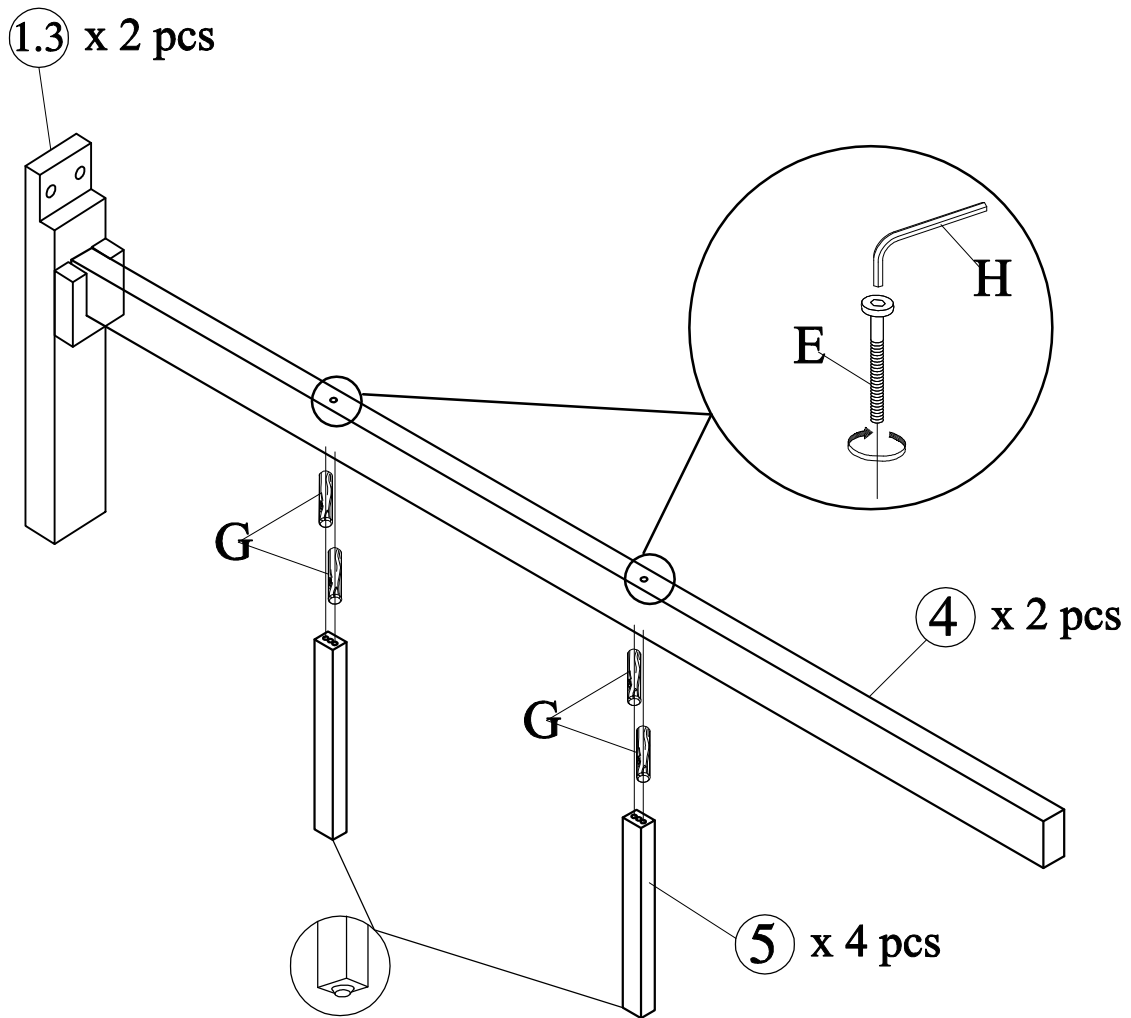
- Attach side rail (3) to headboard (1) and footboard(2) using washer (C,C1), spring washer (D,D1) , bolts (A) and bolts (B)
- Tighten with allen key (H)



<b>A. Bolt</b>  M8 x 50mm :8pcs	<b>B. Bolt</b>  M6 x 35mm :4pcs	<b>C. Washer</b>  2mm x Ø8 :8pcs	<b>D. Spring Washer</b>  1.2mm x Ø8:8pcs	<b>C1. Washer</b>  2mm x Ø6:4pcs	<b>D1. Spring Washer</b>  1.2mm x Ø6:4pcs
<b>H. Allen Key</b>  M4 1pc					

## STEP 4

- Attach support legs (5) to centre rail (4) using wood dowel (G)
- Secure together using bolts (E)
- Tighten with allen key (H)
- Tighten with screwdriver



E. Bolt



M6 x 60mm

4pcs

G. Wood dowel



Ø8 x 30mm

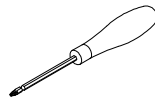
8pcs

H. Allen Key



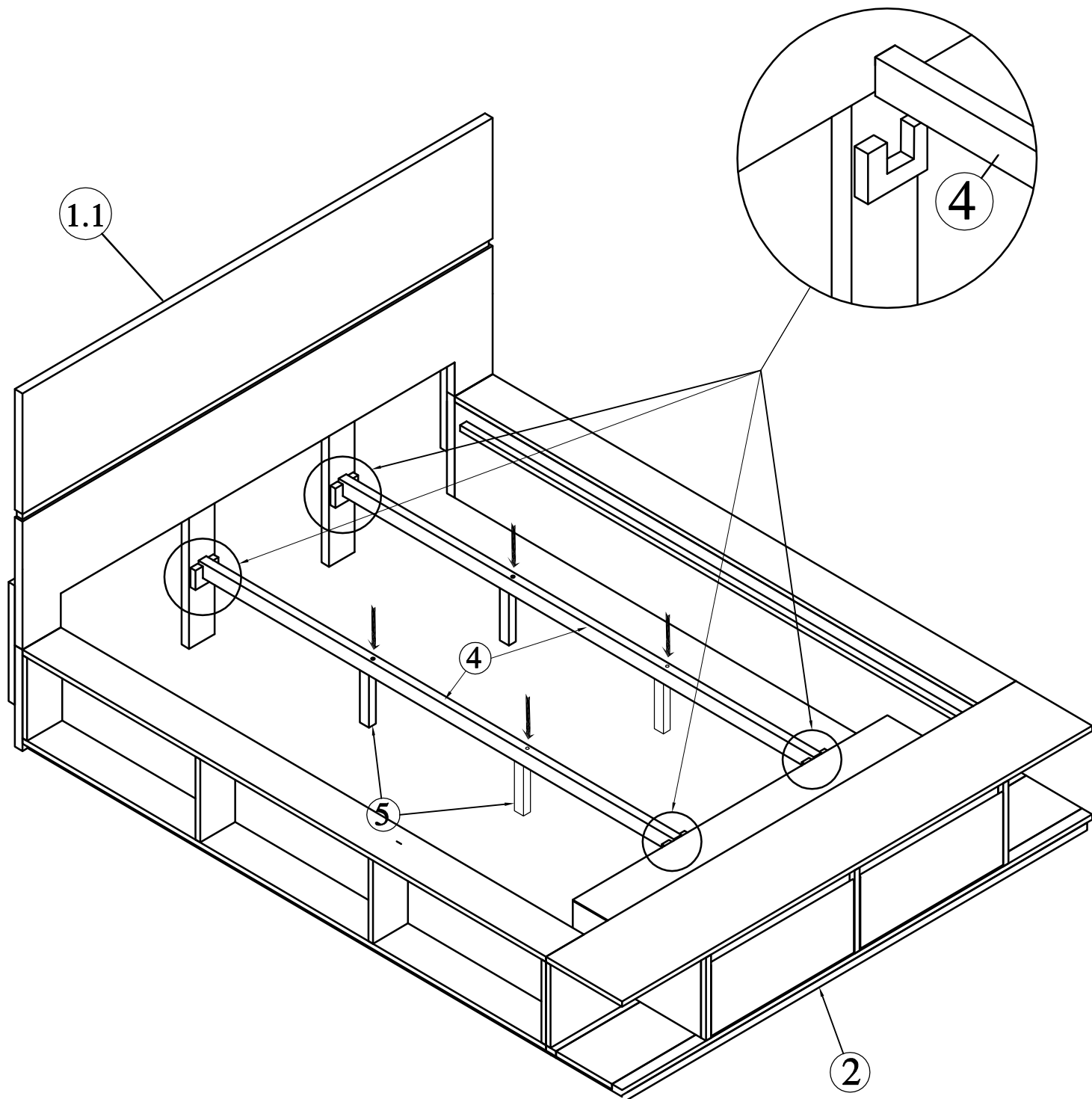
M4

1pc



# STEP 5

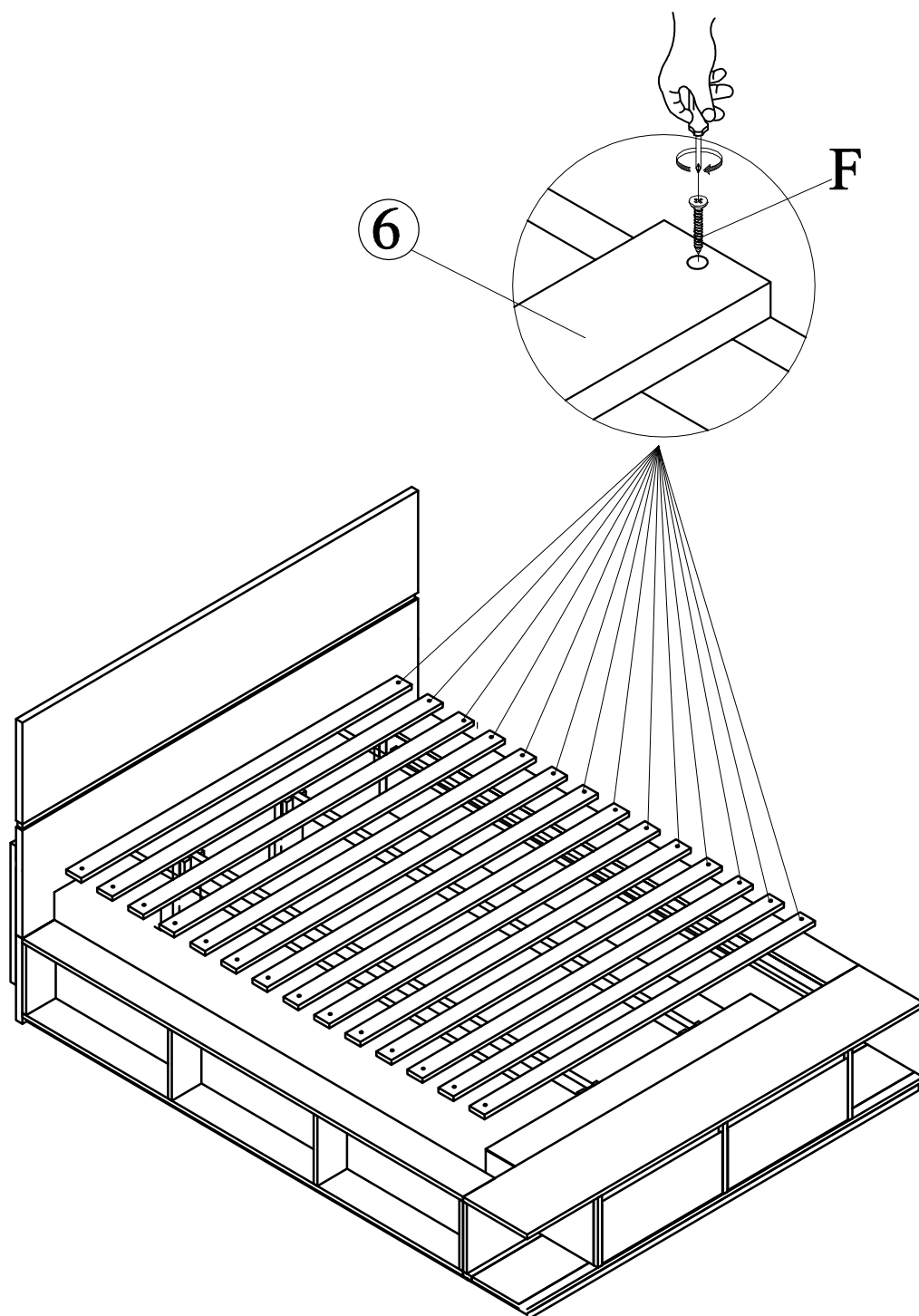
Slot assembled centre rail (4) into grooves on headboard (1) and footboard (2)



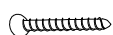


## STEP 6

- Attach slats (6) to side rails (3) with screws (F)
- Tighten with screwdriver

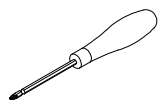


F. Screw

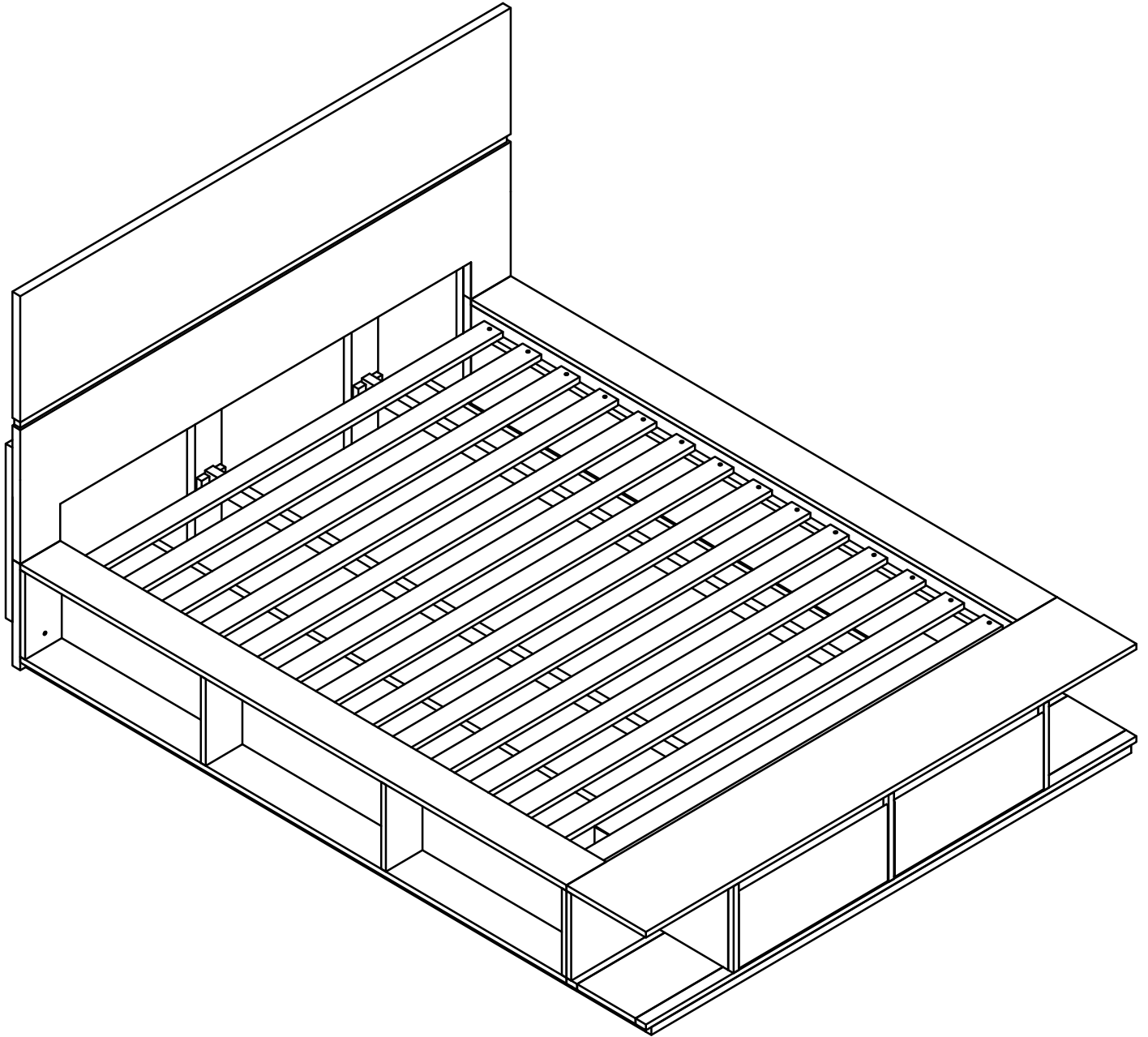


Ø4 x 30mm

28pcs



# ASSEMBLY COMPLETE



DO NOT PUSH OR DRAG THIS FURNITURE – IT WILL CAUSE DAMAGE TO THE LEGS



**Product : MEDORA KING BED**

**Item Code : 77277**

### **Product Care:**

As you timber is supplied from sustainable forests there will be natural variations in surface texture and grain like knots, mineral streaks and sap runs that may affect the finish. These differences in character are not defects, but distinctions that make each piece of furniture unique. Our furniture is built to last. Following these steps for basic care should protect your investment for years to come.

- Dust frequently with a clean damp lint-free cloth. This will help remove abrasive build up which can damage a finish over time.
- Do not place hot objects on any furniture surface. Always use a hot plate or placemat. Laminate and lacquer finishes on table tops provide added scratch and heat resistance to our furniture, but they can still be damaged without proper care.
- Avoid exposing your furniture to strong sunlight, heat outlet, open windows or dampness. Prolonged exposure to direct sunlight can fade the finish of your furniture, while extreme temperature and humidity changes can cause cracking or splitting.
- Do not expose your furniture to any liquids. Never allow water to sit on your furniture. Alcohol, nail polish and perfume are also dangerous as they will dissolve the lacquer finish on contact and may require professional repairs.
- Do not allow plastic to come in direct contact with your furniture. Chemicals in the plastic of placemats etc may soften and mark the finish if left in contact with the furniture for a period of time.