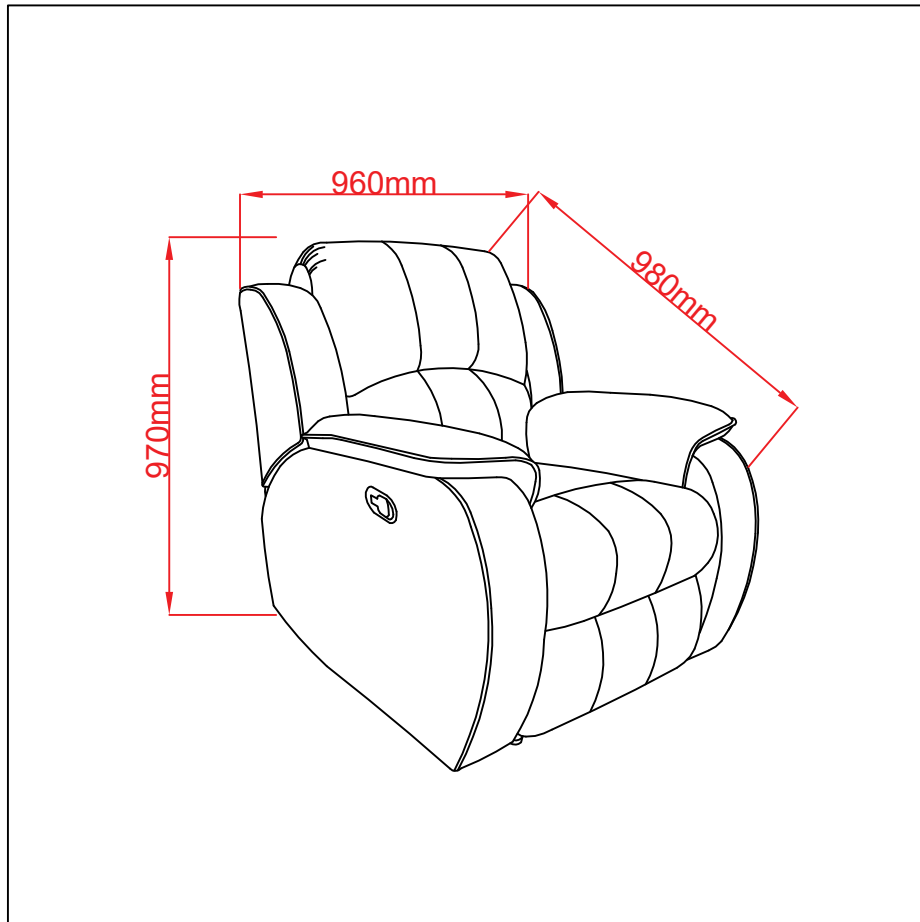




ASSEMBLY INSTRUCTION
KAYDEN RECLINER
ITEM CODE 81153

Imported by Amart Furniture Pty Ltd, Qld, Brisbane Australia.
For any assistance with assembly or for missing parts please phone
Amart furniture, Customer Service Free call 1800 351 084

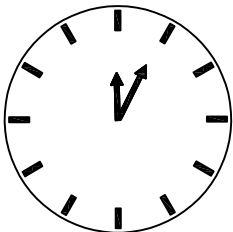
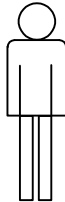


Imported by Amart Furniture Pty Ltd, Qld, Brisbane Australia.
For any assistance with assembly or for missing parts please
phone Amart Furniture, Customer Service Free Call
1800 351 084

PRE-ASSEMBLY PREPARATION

Before you start:

1. Choose a clean, level, spacious assembly area. Avoid hard surfaces that may damage the product
2. Take care when lifting. Product should be assembled as near as possible to the point of use
3. Ensure that you have all required contents for complete assembly
4. Always read the assembly instructions carefully before beginning assembly
5. Keep all hardware parts and packaging out of small children
6. Do not over tighten the screws and bolts as this may damage the threads

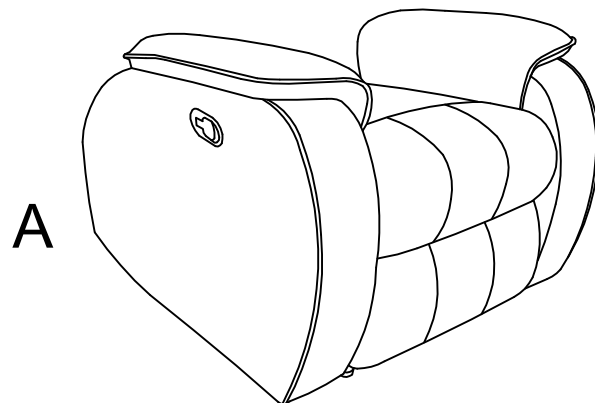
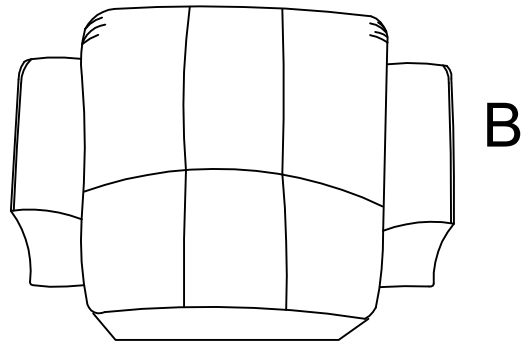
	
ALLOW 5 MINUTES	2 PEOPLE REQUIRED

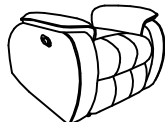
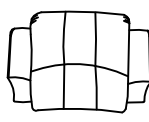


WARNING

DO NOT ALLOW CHILDREN TO PLAY ON THIS MECHANISED FURNITURE OR OPERATE THE MECHANISM. CHILDREN SHOULD ALWAYS BE SUPERVISED WHEN USING THIS FURNITURE. PLEASE KEEP YOUR BODY CLEAR OF THE MECHANISM AT ALL TIMES

PARTS LIST

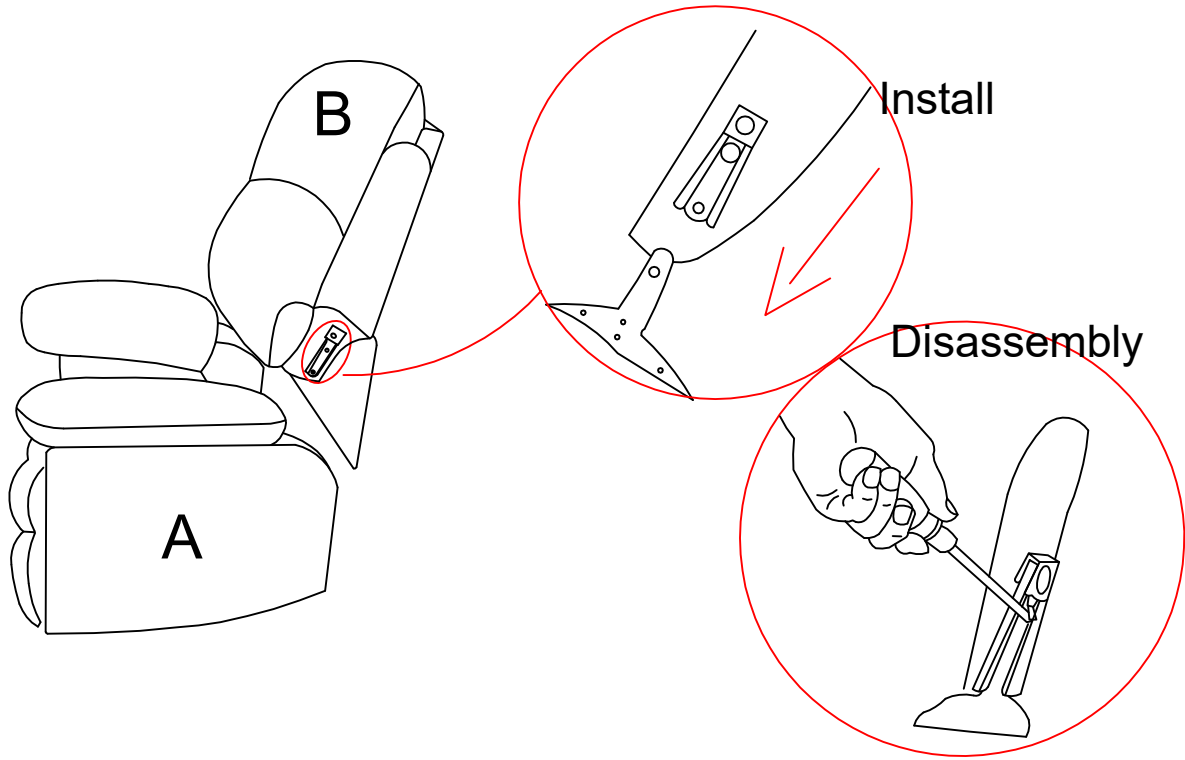


A.1PC	B.1PC
	
Seat	Backrest

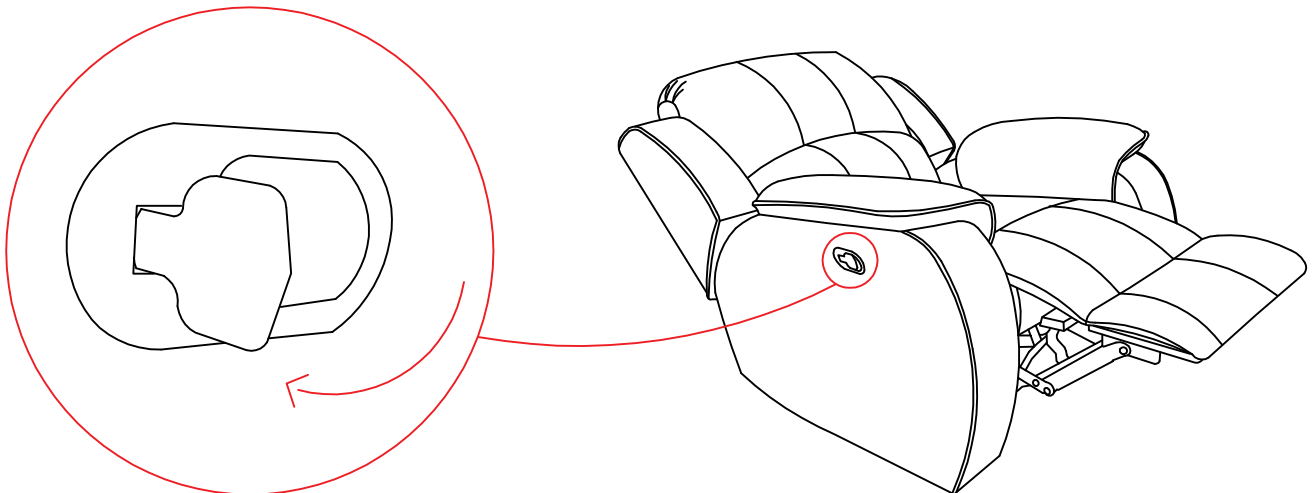
STEP 1

Slide inside back receivers into the steel mechanism posts in the base of the furniture. Press both sides of the inside back firmly into place. The inside back automatically locks in place.

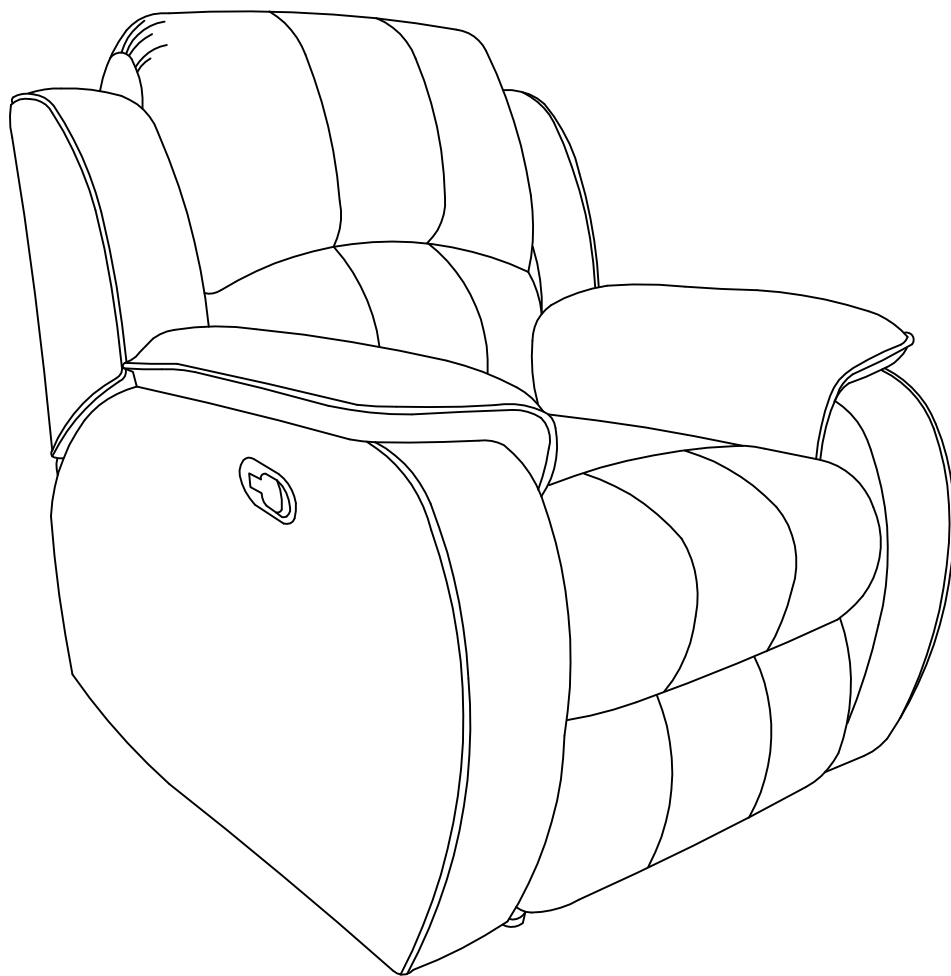
To remove the inside backs, use a screwdriver pressing outward on the black tab in the metal sleeve on both sides of the inside back and lift the inside back from the base of the furniture.



STEP 2



ASSEMBLY IS COMPLETE



Fabric Care and Maintenance



REGULAR CARE:

- Protect from direct sunlight
- Vacuum regularly using low suction
- Rotate reversible cushions regularly

CLEANING:

- Do not remove cushion covers for separate cleaning even though they may have zippers
- Do not wash, Do not dry clean, Do not shampoo clean
- Clean with hot water extraction machine. Professional cleaning recommended
- Do not use dishwashing liquid or laundry detergent
- Use only upholstery detergents
- Do not wet filling
- Dry in shade away from direct heat and sunlight
- Allow to dry thoroughly before re-use

SPOT CLEANING:

- Do not rub
- Do not spot clean with any solvent
- Treat spills and stains as soon as possible
- Gently scrape off any soil or mop any liquid from the surface of the fabric
- Apply proprietary cleaning agents strictly according to instructions to remove the residue of the spill
- Do not saturate the fabric or interior with water or other cleaning liquids

WARNING:

Apply only water-based soil resist (fabric protection) treatments. Do not use aerosol products

* PILLING IS NOT A FABRIC DEFECT OR FAULT AND IS NOT COVERED BY WARRANTY

* PILLING IS A NORMAL OCCURRENCE CAUSED BY WEAR AND TEAR AND DOES NOT AFFECT THE DURABILITY OR FUNCTIONALITY OF THE FABRIC AND IS EASILY REMOVED