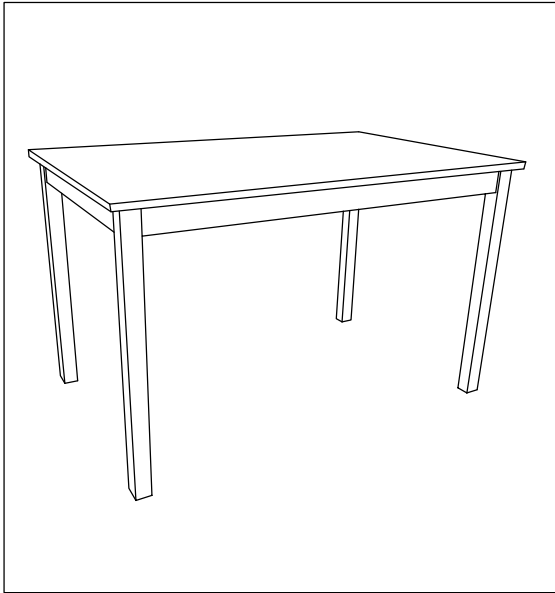




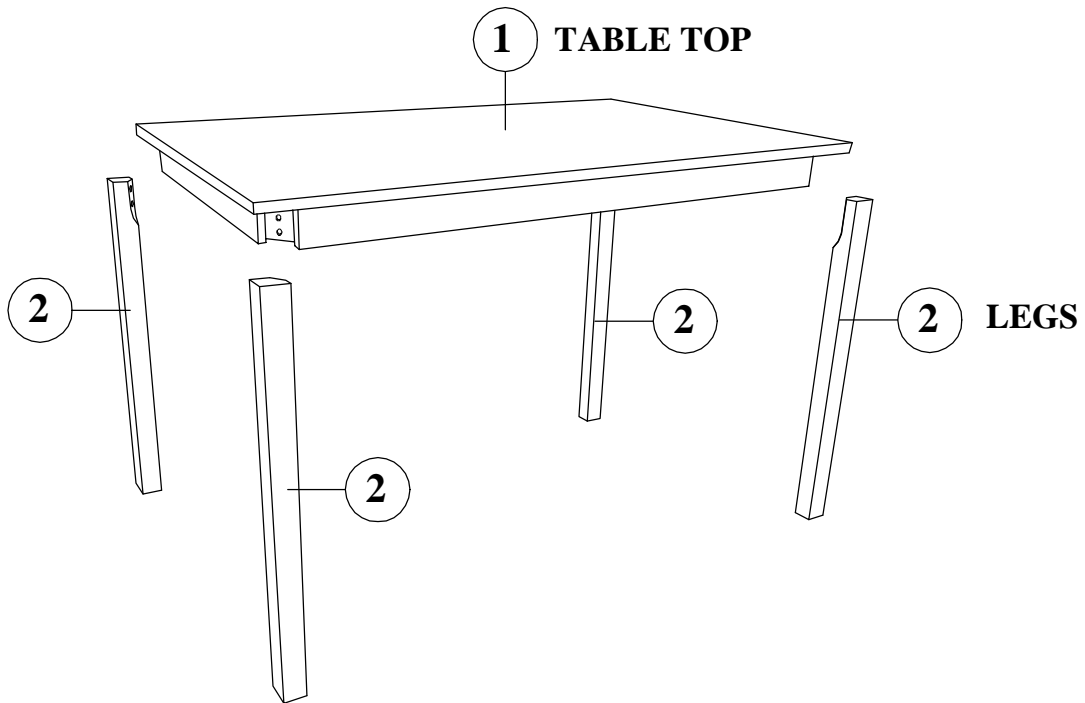
ASSEMBLY INSTRUCTIONS
AUGUST 1200 DINING TABLE
ITEM CODE : 49913

Imported by Super Amart Pty. Ltd. Qld, Brisbane Australia.
 For easy assistance with assembly or for missing part please phone
 Super Amart, customer service free call 1800 351 084

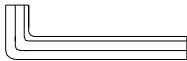


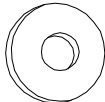


BEFORE YOU START...

1. Choose a clean, level, spacious assembly area. Avoid hard surface that may damage the product.
2. Check and ensure that you have all required contents for complete assembly.
3. Always read the assembly instructions carefully before beginning assembly.
4. The packaging and contents can be a choking hazard, therefore keep out of reach of small children at all times.
5. Do not over tighten the bolts as this may damage the thread.

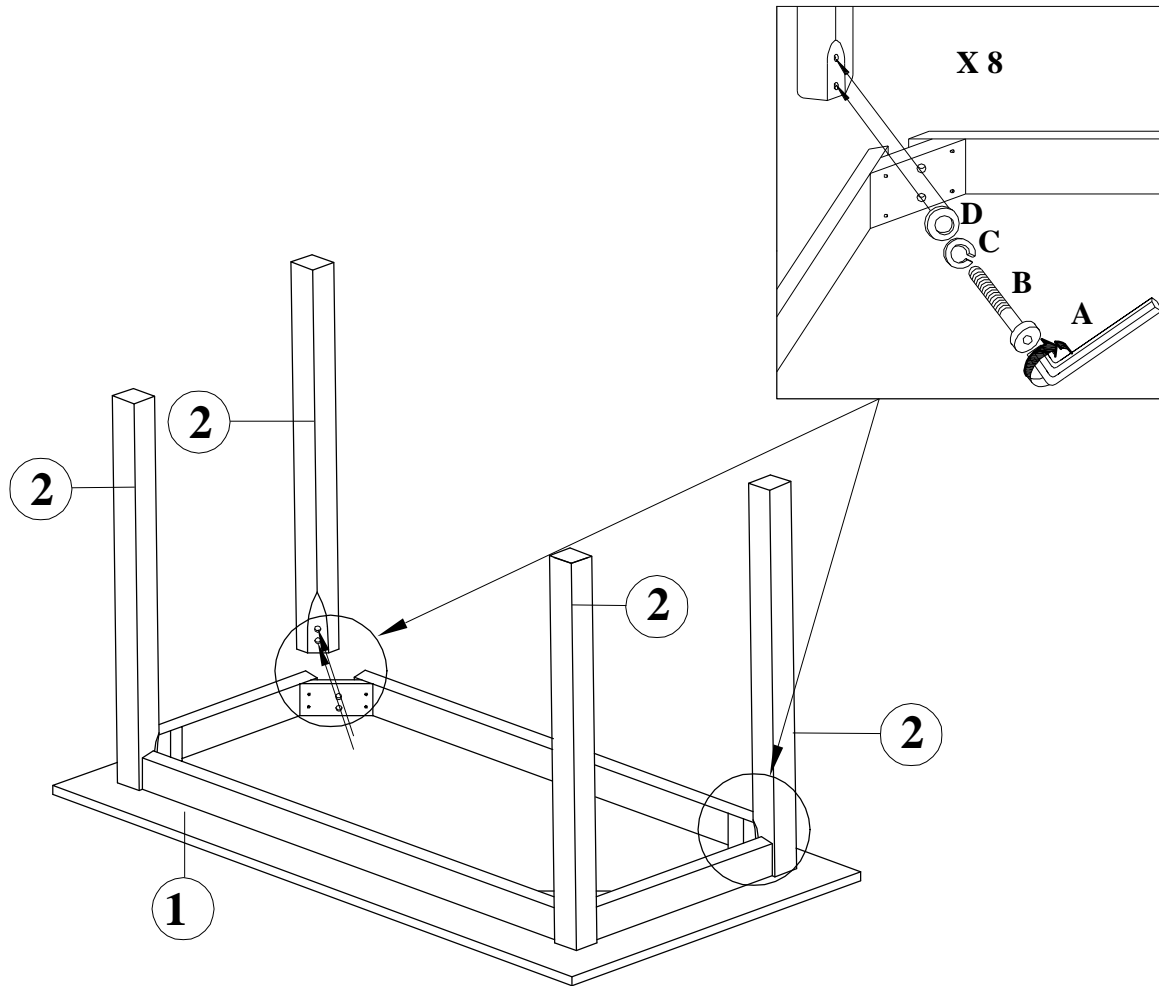


NOTE : The assembly of this product requires two persons.

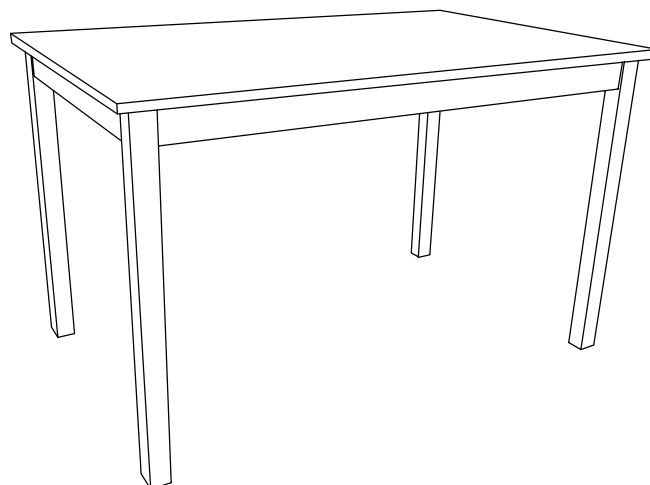
A	B	C	D
ALLEN KEY M4 x 63mm	JCBC BOLT M6 X 60mm	SPRING WASHER Ø 5/16"	FLAT WASHER Ø 5/16"
 1 Pc	 8 Pcs	 8 Pcs	 8 Pcs

STEP 1

Place table top up side down on soft surface, then fasten all legs (2) to table top (1) using JCBC bolt (B), spring washer (C) and flat washer (D). Tighten with Allen key (A).



ASSEMBLY IS COMPLETE.



CARE GUIDE FOR YOUR WOOD FURNITURE

A multi-step finish is applied to all our furniture, but all wood comes from nature.

Because of this, there will be natural variations in texture and grain like knots, mineral streaks and sap runs that may affect the finish.

These differences in character are not defects, but distinctions that make each piece of furniture unique.

Our furniture is built to last. Following these steps for basic care should protect your investment for years to come.

- Dust frequently with a clean damp lint-free cloth. This will help remove abrasive buildup which can damage a finish over time.

- Occasionally use a light application of high-quality furniture polish to enhance the beauty of the fine finish. Avoid using oil polishes or waxes.

- Do not place hot objects on any furniture surface. Always use a hot plate when placing a warm pot on furniture. Laminated surfaces on table tops provide added scratch and heat resistance to our furniture, but they can still be damaged without proper care.

- Avoid exposing your furniture to strong sunlight, heat, outlet, open windows or dampness. Prolonged exposure to direct sunlight can fade the finish of your furniture, while extreme temperature and humidity changes can cause cracking or splitting.

- Do not expose your furniture to any liquids. Never allow water to sit on your furniture. Alcohol, nail polish and perfume are also dangerous because they can dissolve the furniture finish on contact and may require professional repairs.

- Do not allow plastic to come in direct contact with your furniture. chemicals in the plastic may soften and injure the finish if left in contact with the furniture for a long period of time.