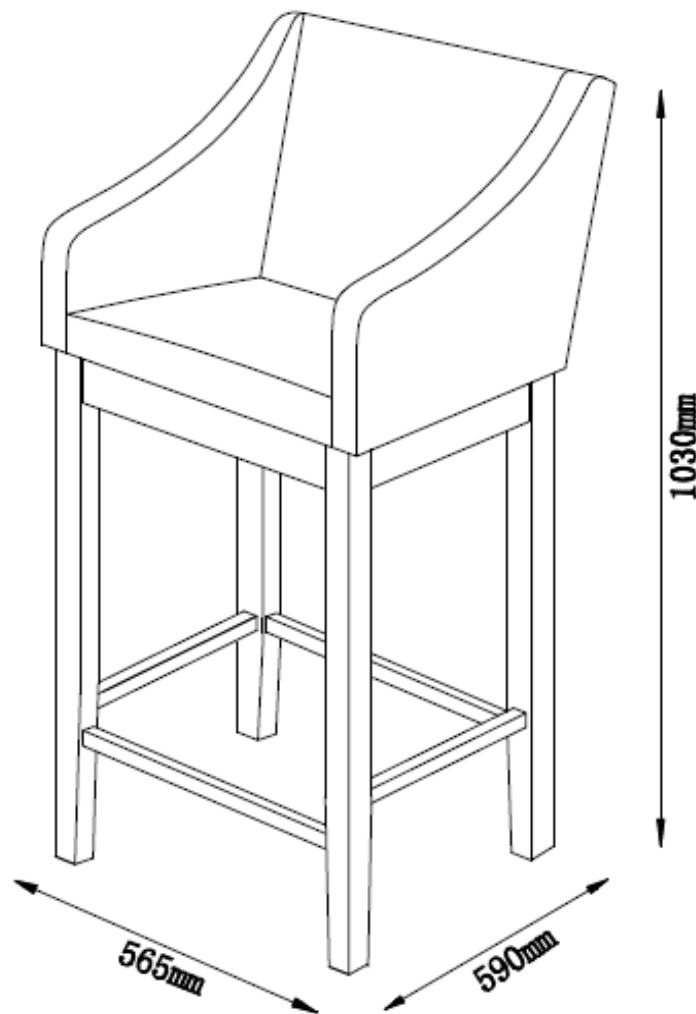




ASSEMBLY INSTRUCTION
VELERIAN STOOL
ITEM CODE 84049 / 84050

SIGNATURE
— COLLECTION —



Imported by Amart Furniture Pty Ltd, Brisbane ,Qld, Australia.
For any assistance with assembly or for missing parts please phone
Amart Furniture, Customer Service Free call 1800 351 084

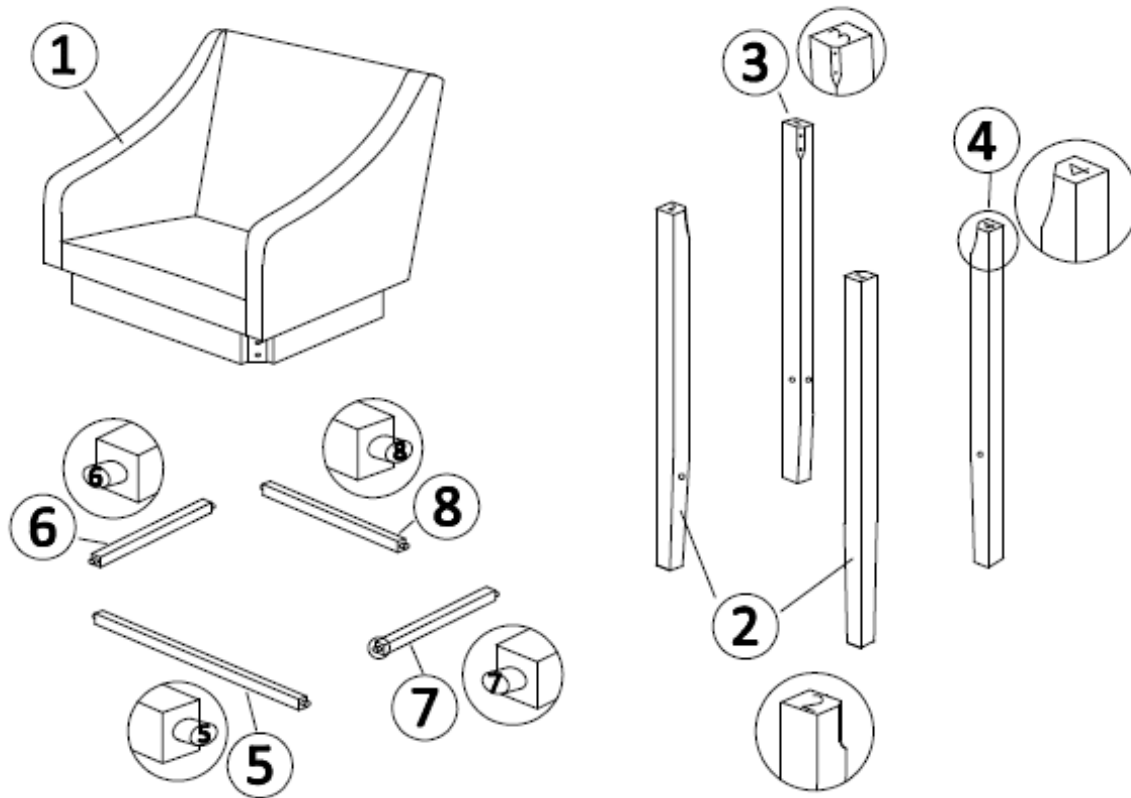
PRE-ASSEMBLY PREPARATION

Before you start:

1. Choose a clean, level, spacious assembly area. Avoid hard surfaces that may damage the product
2. Take care when lifting. Product should be assembled as near as possible to the point of use
3. Ensure that you have all required contents for complete assembly
4. Always read the assembly instructions carefully before beginning assembly.
5. Keep all hardware parts and packaging out of reach of small children.
6. Do not over tighten the screws and bolts as this may damage the threads









PARTS LIST



ATTENTION!

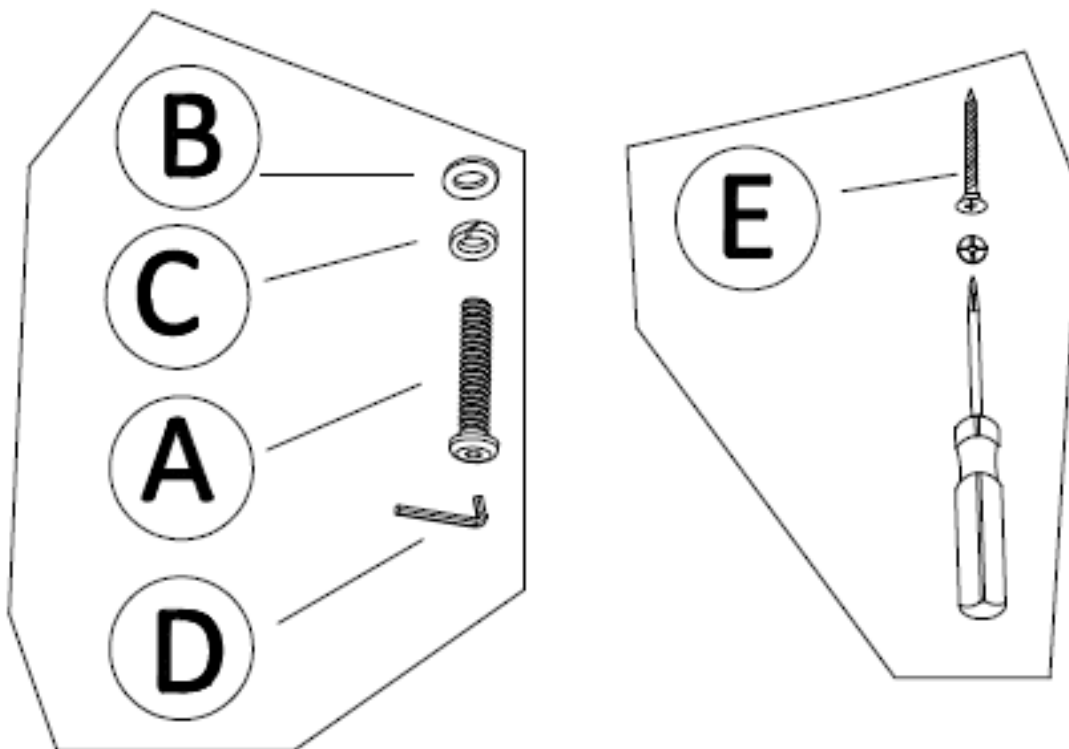
Legs are numbered and marked as such, they are not interchangeable

1	SEAT BASE
2	FRONT LEG(2)
3	LEFT BACK LEG (3)
4	RIGHT BACK LEG (4)
5	FRONT STRECHER(5)
6	LEFT SIDE STRECHER (6)
7	RIGHT SIDE STRECHER (7)
8	BACK STRECHER(8)

A. BOLT 1/4"X75MM  8PCS	B. FLAT WASHER  8PCS	C. LOCK WASHER  8PCS	D. ALLEN KEY  1PCS	E. SCREW 4X40MM  8PCS	F. FELT PAD  4PCS
--	---	---	---	--	--

Step 1: Bolt and screw preparation

Prepare by assembling the 8 bolts, spring washers, washers and 8 screws as shown.

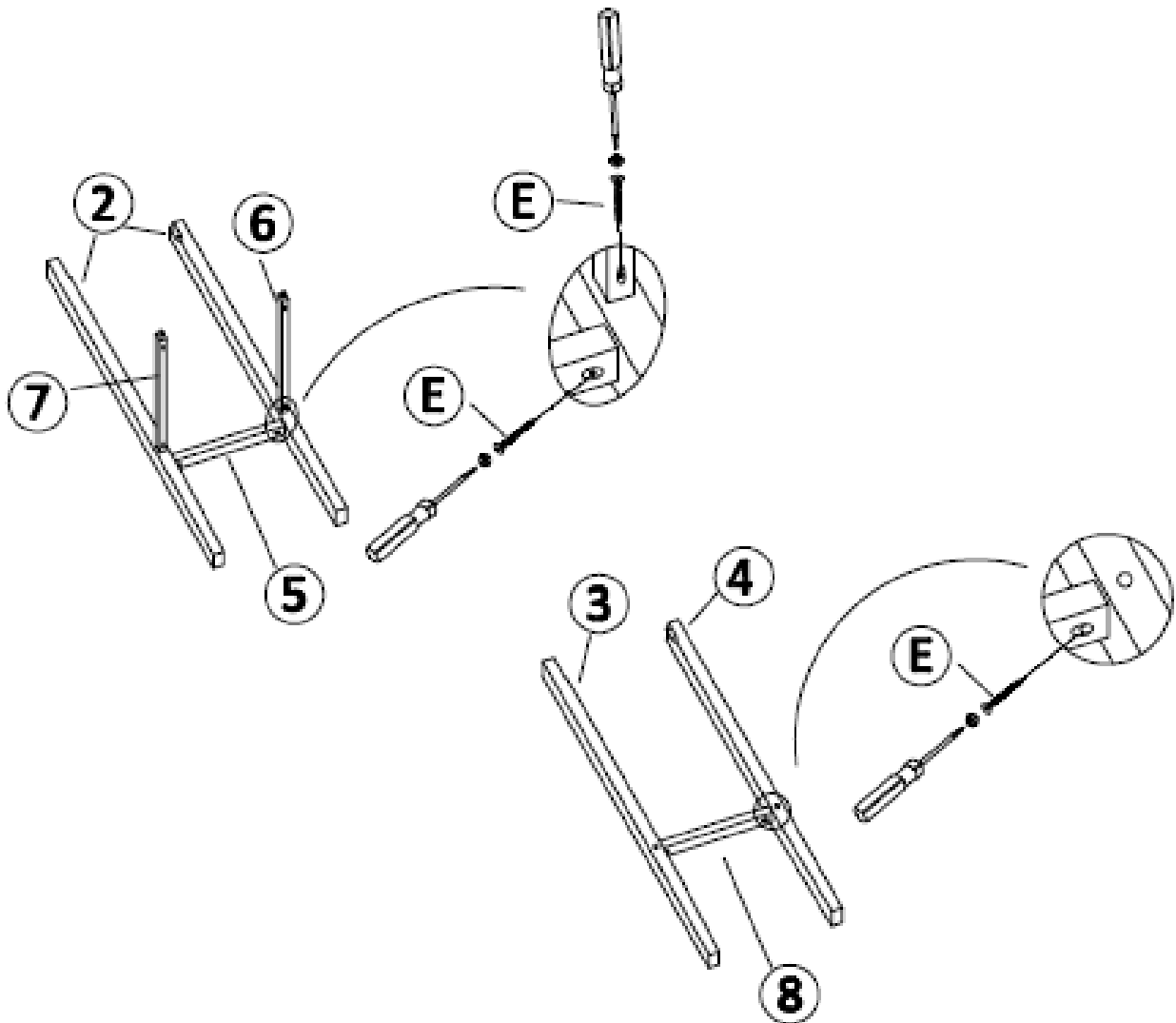


Step 2: Seat base preparation

Place the seat base upside down on an even, protected and flat surface. **Do not leave the seat base unbalanced and unattended in this position.**

Step 3: Inserting the stretchers

Insert the front stretcher(5) and the side stretchers(6)and (7)into the corresponding round wholes of the front the legs(2), insert the back stretcher(8) into the corresponding round wholes of the left back leg(3) and the right back leg(4) .they are marked.

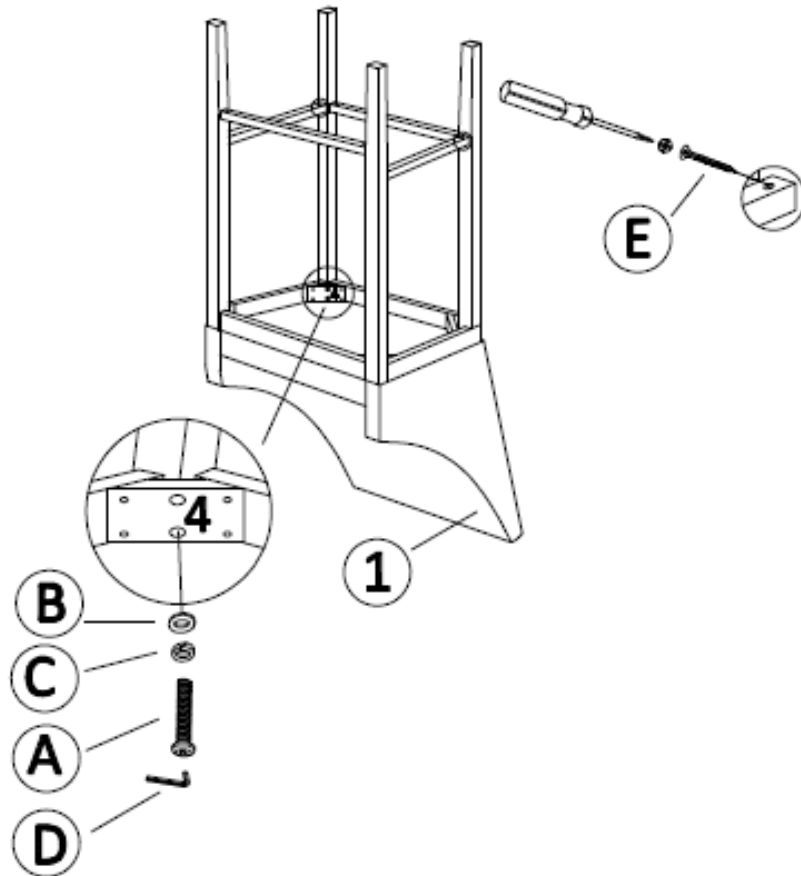


Step 3: Affixing the screws

Insert the pre-assembled screws into the holes as shown above. Turn and tighten with screwdriver.

Step 4: Inserting the legs

Insert the front legs (2) into the corresponding slots, they are marked. **The front legs are interchangeable and do not distinguish between left and right.** Then insert legs 3 and 4 into their designated slots, these are **not interchangeable**.

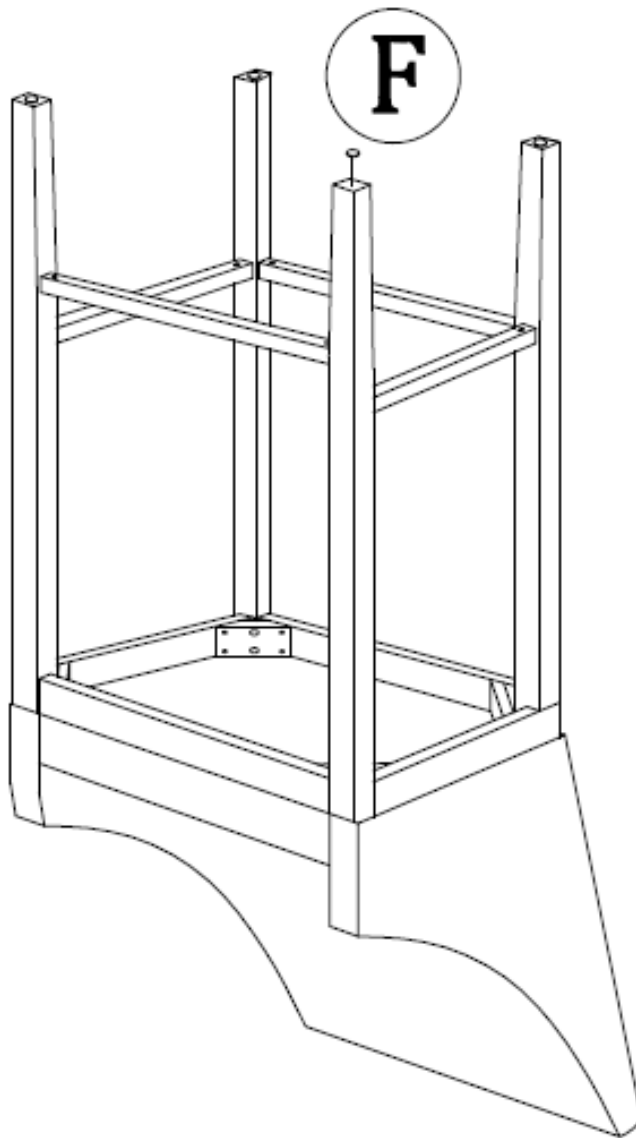


Step 4: Affixing the bolts and screws

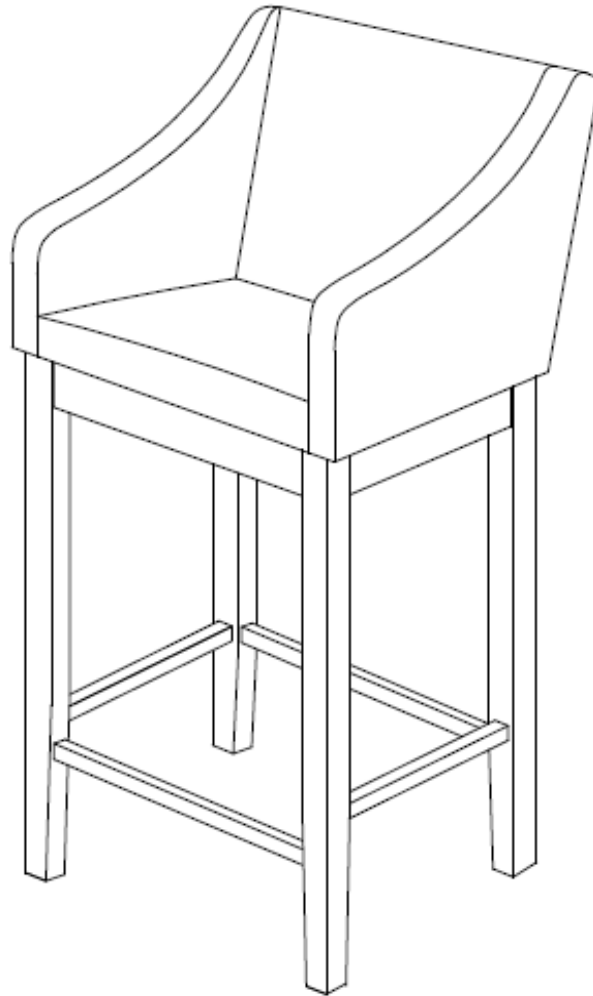
Insert the pre-assembled bolts into the holes as shown above. Turn and tighten with Allen key provided (D). On Each leg, start by only fastening each bolt to half way. Once both bolts are in, then tighten both. Bolts should be tightened until all the way in. Large visible gaps between components is a sign of not be tight enough. Also **do not over tighten**, if you hear cracking in the wood, stop. Tighten by hand only. Repeat for the other 3 legs

Step 5: Affixing the felt pads

Put the felt pads on the bottom of the legs.



Important Note – Before finally tightening the bolts, place the assembled chair upright on a level surface and sit carefully on the chair to ensure the chair legs are aligned and level. Then tighten all bolts and your chair is ready for use.



Assembly is complete

CAUTION:

DO NOT

- **USE CHAIR/STOOL AS A LADDER**
- **CLIMB ON THE CHAIR/STOOL**
- **STAND ON THE FOOT REST OF THE CHAIR, AS THIS COULD LEAD TO THE STOOL BECOMING UNBALANCED AND OVERTURNING.**

CARE AND MAINTENANCE

REGULAR CARE:

- Protect from direct sunlight
- Vacuum regularly using low suction
- Rotate reversible cushions regularly
- Avoid exposure to new clothing, cushions or throws as this may lead to dye transfer and permanent staining

CLEANING:

- Do not remove cushion covers for separate cleaning even though they may have zippers
- Do not wash, Do not dry clean, Do not shampoo clean
- Clean only with hot water extraction machine. Professional cleaning recommended
- Do not use dishwashing liquid or laundry detergent. Use only upholstery detergents
- Do not wet filling
- Dry in shade away from direct heat and sunlight
- Allow to dry thoroughly before re-use

SPOT CLEANING:

- Do not rub
- Do not spot clean with any solvent
- Treat spills and stains as soon as possible
- Gently scrape off any soil or blot any liquid from the surface of the fabric before applying cleaner
- Apply proprietary cleaning agents strictly according to instructions to remove the residue of the spill
- Do not saturate the fabric or interior with water or other cleaning liquids

WARNING:

Apply only water-based soil resist (fabric protection) treatments. Do not use aerosol products

* PILLING IS NOT A FABRIC DEFECT OR FAULT AND IS NOT COVERED BY WARRANTY

* PILLING IS A NORMAL OCCURRENCE IN WOVEN FABRICS AND DOES NOT AFFECT THE DURABILITY OR FUNCTIONALITY OF THE FABRIC. IT IS EASILY REMOVED BY USE OF A BATTERY OPERATED DE-PILLING MACHINE AS THE NEED ARISES