

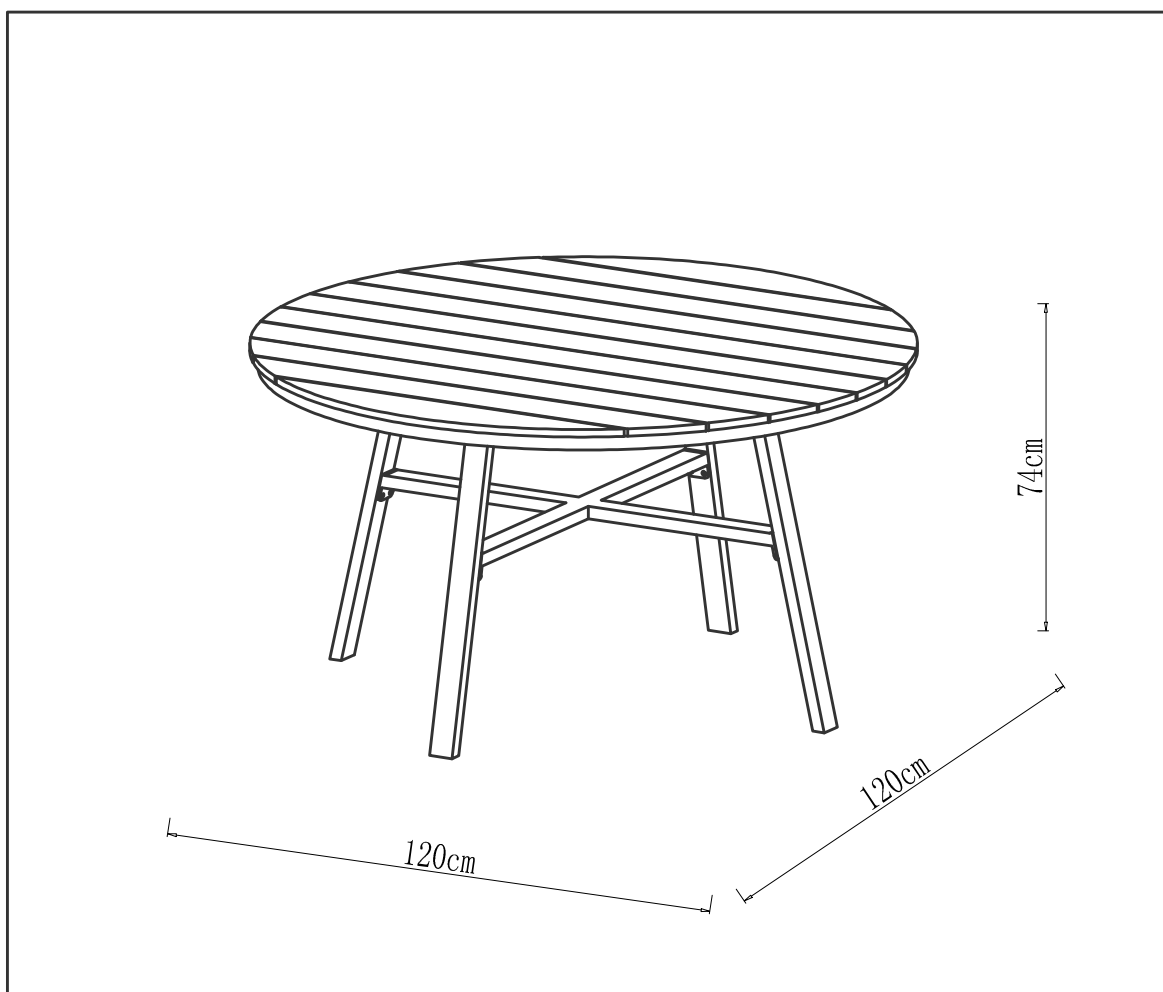


ASSEMBLY INSTRUCTION

TANGALOOMA ROUND OUTDOOR TABLE

ITEM CODE - 65449

Imported by Amart Furniture Pty Ltd, Qld, Brisbane Australia .
For any assistance with assembly or for missing parts please phone
Amart Furniture ,Customer Service Freecall 1800 351 084





Imported by Amart Furniture Pty Ltd, Qld, Brisbane Australia .
For any assistance with assembly or for missing parts please phone
Amart Furniture, Customer Service Freecall 1800 351 084

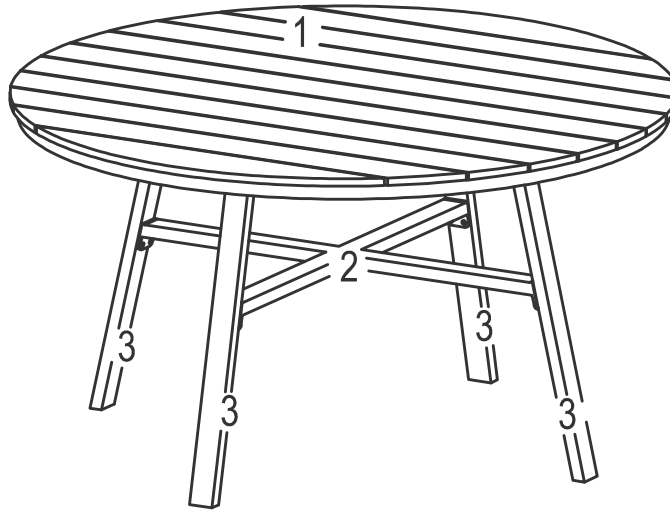
PRE-ASSEMBLY PREPARATION

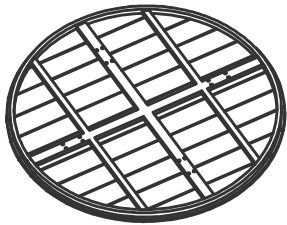
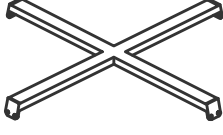

Before you start:


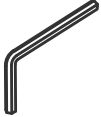



1. Choose a clean, level, spacious assembly area. Avoid hard surfaces that may damage the product.
2. Take care when lifting. Product should be assembled as near as possible to the point of use.
3. Ensure that you have all required contents for complete assembly.
4. Always read the assembly instructions carefully before beginning assembly.
5. Keep all hardware parts and packaging out of reach of small children.
6. Do not over tighten the screws and bolts as this may damage the threads.

| | |
|---|--|
|  |  |
| ALLOW 20 MINUTES | PEOPLE REQUIRED |
| ADDITIONAL TOOLS REQUIRED | |

PARTS LIST




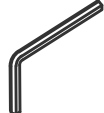




| | |
|--|---|
| <p>1 Table frame 1PC</p>  | <p>2 Fixed ring 1PC</p>  |
| <p>3 Leg 4PCS</p>  | |

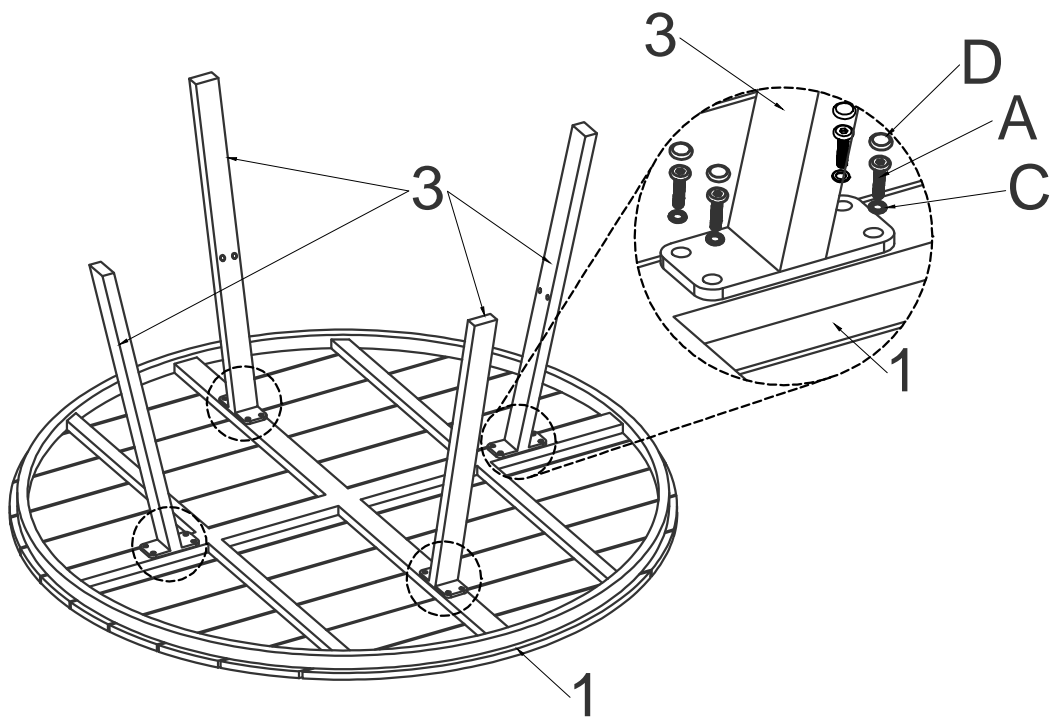
| | | | |
|--|---|--|---|
| <p>A. Bolt</p>  <p>M6*20*24PCS</p> | <p>B. Hexagon Key</p>  <p>M6*1PC</p> | <p>C. Shim</p>  <p>M6*24PCS</p> | <p>D. Screw cap</p>  <p>M6*24PCS</p> |
| <p>E. Non-slip mat</p>  <p>4PCS</p> | | | |

Step 1:

ITEMS REQUIRED

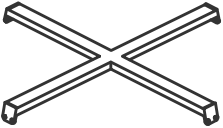

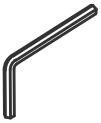


| | | | |
|---|---|---|---|
| 1. Table frame 1PC  | 3. Leg 4PCS  | | |
| A. Bolt  M6*20*16PCS | B. Hexagon Key  M6*1PC | C. Shim  M6*16PCS | D. Screw cap  M6*16PCS |

- Attach leg (3) to table frame (1) using bolt (A) with shim (C) & screw cap (D).
- Tighten with hexagon key (B).

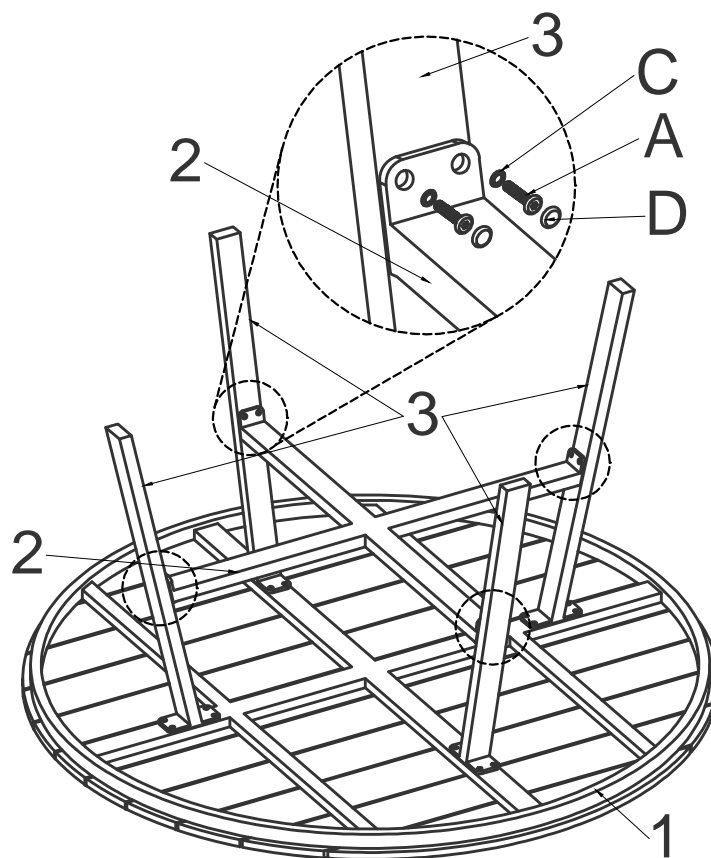


Step 2:

ITEMS REQUIRED

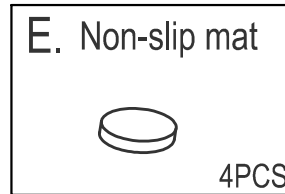
| | | | |
|--|---|---|--|
| 2. Fixed ring 1PC  | | | |
| A. Bolt  M6*20*8PCS | B. Hexagon Key  M6*1PC | C. Shim  M6*8PCS | D. Screw cap  M6*8PCS |

- Attach fixed ring (2) to leg (3) using bolt (A) with shim (C) & screw cap (D).
- Tighten with hexagon key (B).

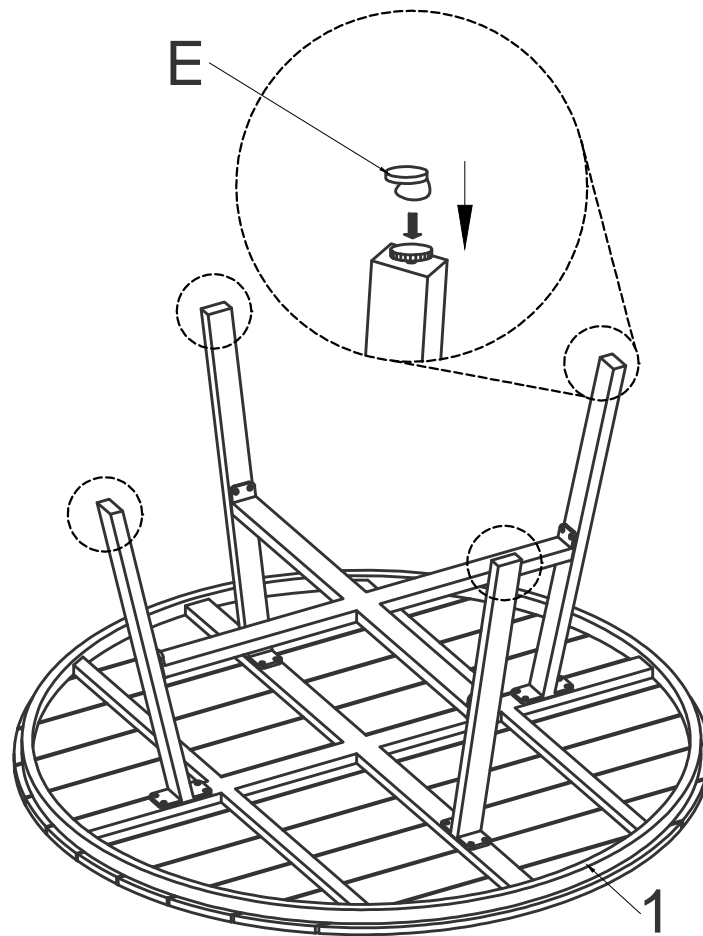


Step 3:

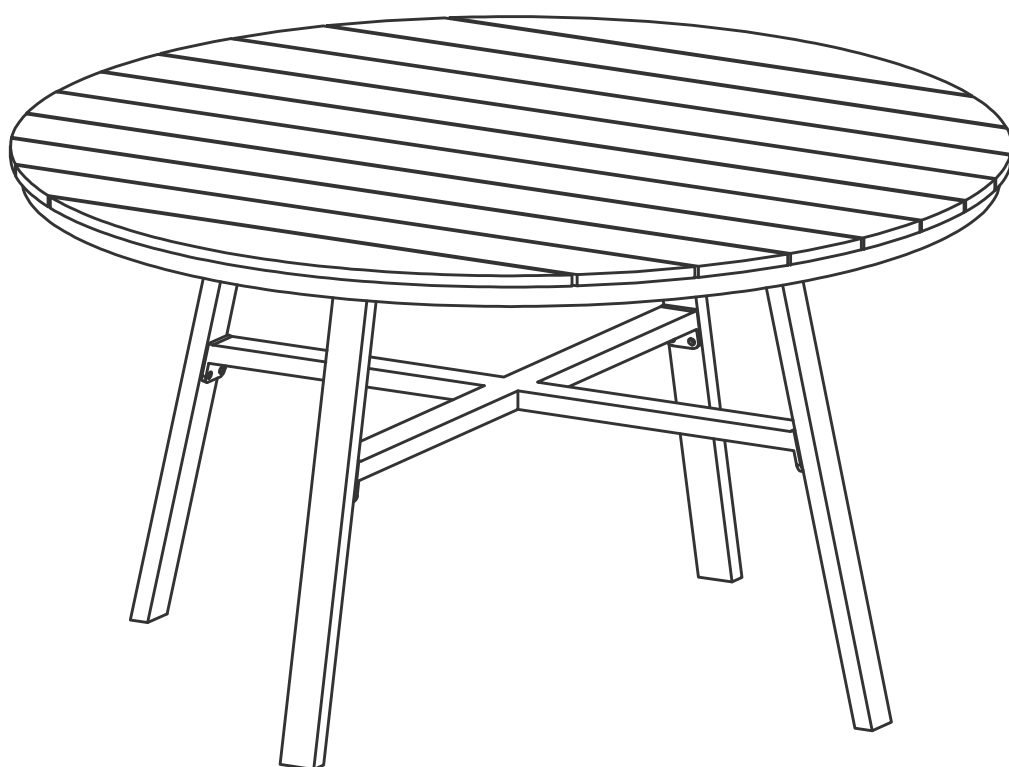
ITEMS REQUIRED



- Last attach the non-slip mat (E) under the adjusting knob.



ASSEMBLY IS COMPLETE



Care and maintenance



Polywood

- ☒ Item is designed for use outdoors. However we do not recommend leaving this product outside when not in use.
To preserve the life of this item, avoid prolonged exposure to the elements & store inside/under cover or use an outdoor cover.
- ☒ DO NOT place heavy or pointed objects on the surface of the polywood while using your outdoor furniture.
- ☒ DO NOT place magnifying objects on top of polywood in direct sunlight. Items such as wine glasses, reading glasses, etc. This may cause your product to burn.
- ☒ Leaving your outdoor furniture outside in direct sunlight may cause your product to become weak and brittle. Your product may also experience colour fading.
- ☒ DO NOT place hot objects on the surface of the polywood as it may damage the product.
- ☒ Wipe the surface of the polywood with mild soap and water.
- ☒ Do not clean your polywood item with solvents or any other aggressive chemicals.

Aluminium

- ☒ Item is designed for use outdoors. However we do not recommend leaving this product outside when not in use. To preserve the life of this item, avoid prolonged exposure to the elements & store inside/under cover or use an outdoor cover.
- ☒ DO NOT allow the furniture to be left in the rain or left wet for extended periods of time.
- ☒ Wipe furniture Dry immediately after it becoming wet.
- ☒ DO NOT clean your furniture down with any harsh solvents, abrasives or chemicals.
- ☒ To remove dirt and grime, simply rinse with fresh water or periodically clean using a sponge and mild detergent solution as required