



ASSEMBLY INSTRUCTION

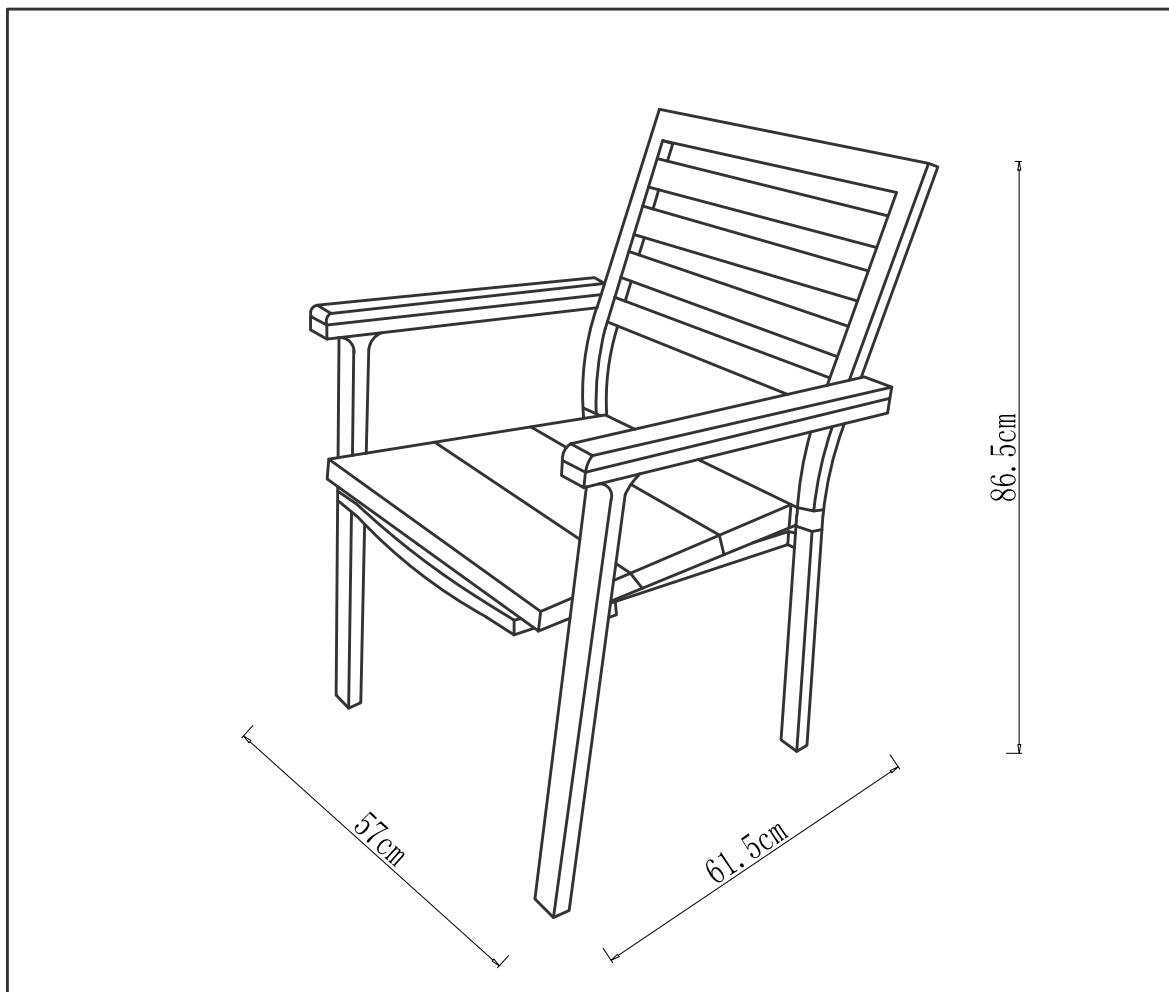
TANGALOOMA OUTDOOR CHAIR

ITEM CODE - 65445

Imported by Amart Furniture Pty Ltd, Qld, Brisbane Australia .

For any assistance with assembly or for missing parts please phone

Amart Furniture ,Customer Service Freecall 1800 351 084



Imported by Amart Furniture Pty Ltd, Qld, Brisbane Australia .

For any assistance with assembly or for missing parts please phone

Amart Furniture, Customer Service Freecall 1800 351 084

Care and maintenance



Cushions

- ☒ Direct exposure to the Sun's harmful UV rays is likely to cause rapid colour fading to fabrics. For best results we recommend avoiding exposure to direct sunlight.
- ☒ To ensure product longevity it is recommended outdoor products are not left permanently exposed to the elements.
- ☒ Spot clean using mild detergent and a soft clean cloth. Rinse in lukewarm water.
- ☒ Do not tumble dry.
- ☒ Do not bleach.
- ☒ Do not dry clean.
- ☒ Cool iron onl.

Polywood

- ☒ Item is designed for use outdoors. However we do not recommend leaving this product outside when not in use.
To preserve the life of this item, avoid prolonged exposure to the elements & store inside/under cover or use an outdoor cover.
- ☒ DO NOT place heavy or pointed objects on the surface of the polywood while using your outdoor furniture.
- ☒ DO NOT place magnifying objects on top of polywood in direct sunlight. Items such as wine glasses, reading glasses, etc. This may cause your product to burn.
- ☒ Leaving your outdoor furniture outside in direct sunlight may cause your product to become weak and brittle. Your product may also experience colour fading.
- ☒ DO NOT place hot objects on the surface of the polywood as it may damage the product.
- ☒ Wipe the surface of the polywood with mild soap and water.
- ☒ Do not clean your polywood item with solvents or any other aggressive chemicals.

Aluminium

- ☒ Item is designed for use outdoors. However we do not recommend leaving this product outside when not in use. To preserve the life of this item, avoid prolonged exposure to the elements & store inside/under cover or use an outdoor cover.
- ☒ DO NOT allow the furniture to be left in the rain or left wet for extended periods of time.
- ☒ Wipe furniture Dry immediately after it becoming wet.
- ☒ DO NOT clean your furniture down with any harsh solvents, abrasives or chemicals.
- ☒ To remove dirt and grime, simply rinse with fresh water or periodically clean using a sponge and mild detergent solution as required