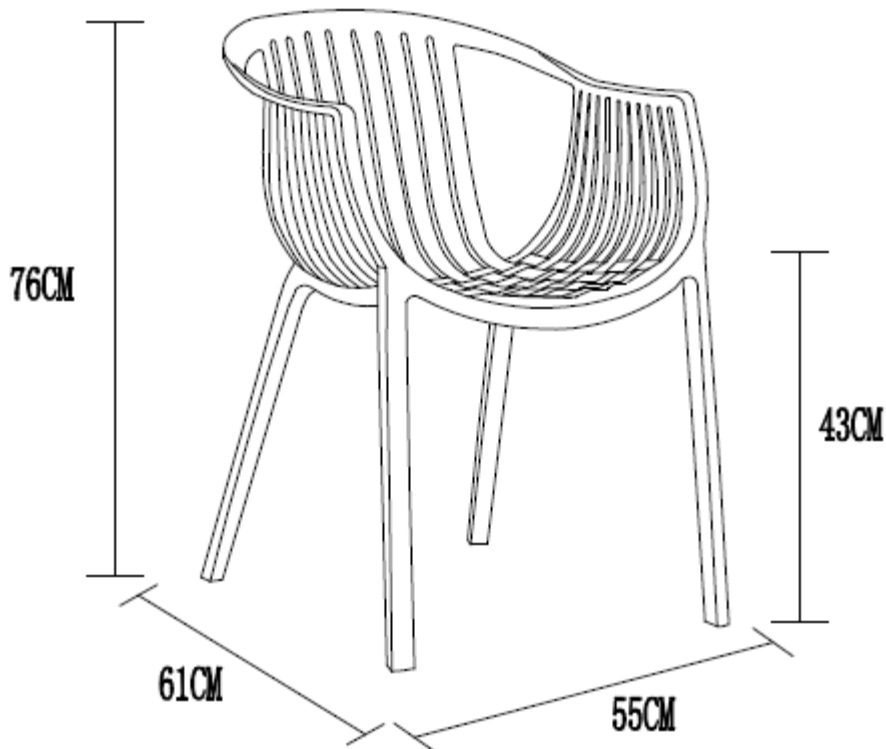




ASSEMBLY INSTRUCTION
MANAROLA OUTDOOR CHAIR
ITEM CODE **68623**

Imported by Amart Furniture Pty Ltd, Qld, Brisbane Australia.
For any assistance with assembly or for missing parts please phone
Amart Furniture, Customer Service Free call 1800 351 084



Imported by Amart Furniture Pty Ltd, Qld, Brisbane Australia.
For any assistance with assembly or for missing parts please phone
Amart Furniture, Customer Service Free call 1800 351 084

CARE AND MAINTENANCE

PRODUCT CARE FOR PP CHAIRS

- PP chairs should avoid hot and cold, to prevent plastic hot expansion and cold to reduce the short life.
- don't put plastic chairs in damp, airless places.
- when sitting in plastic chairs, can not do strenuous exercise, can not stand on the plastic desk and chair
- the plastic chair is greatly affected by the temperature, and try not to put it in the direct sunlight because ultraviolet light will accelerate the aging of the plastic.
- Have not been used for a long time, check if they have cracks. Before sitting, put a little pressure on the palm of your hand to check the stability of the plastic chair.

CHAIR AND STOOLS

- Do not use:
- Use chair/stool as a ladder
- Climb on the chair/stool
- Stand on the foot-rest of the chair, as this could lead to the stool becoming unbalanced and overturning