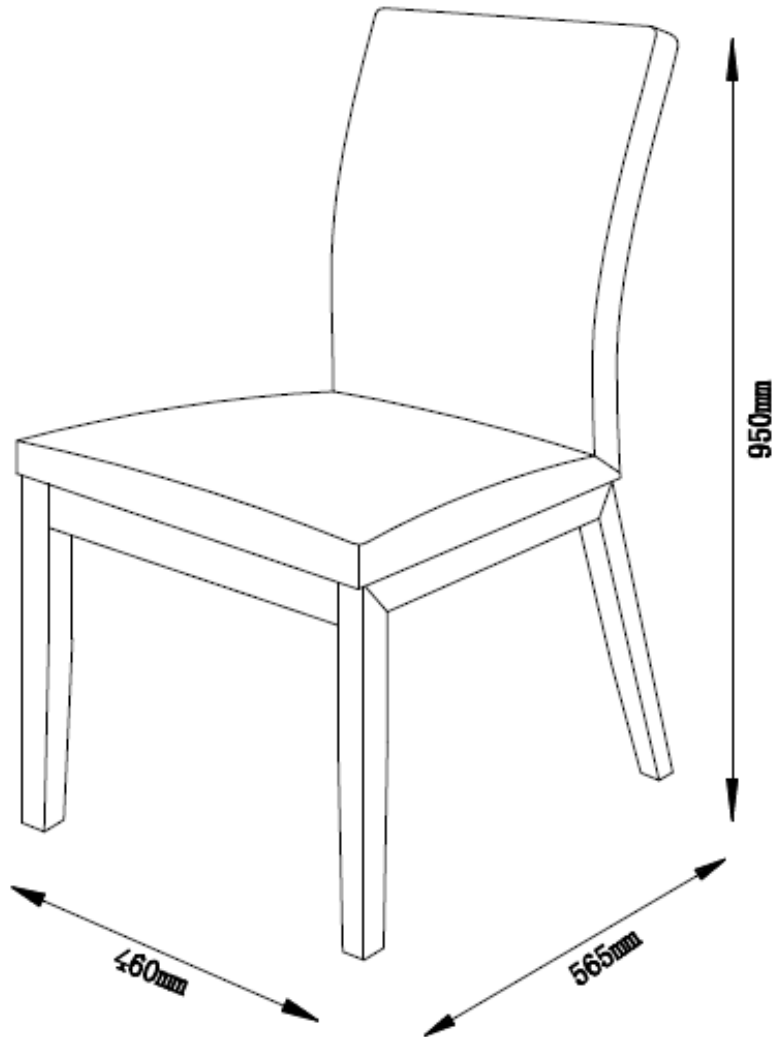




ASSEMBLY INSTRUCTION  
HADLEY DINING CHAIR  
ITEM CODE 68619

Imported by Amart Furniture Pty Ltd, Qld, Brisbane Australia.  
For any assistance with assembly or for missing parts please  
phone Amart Furniture, Customer Service Free call 1800 351  
084



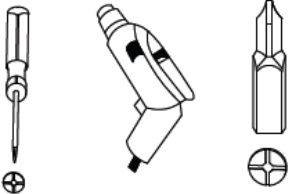


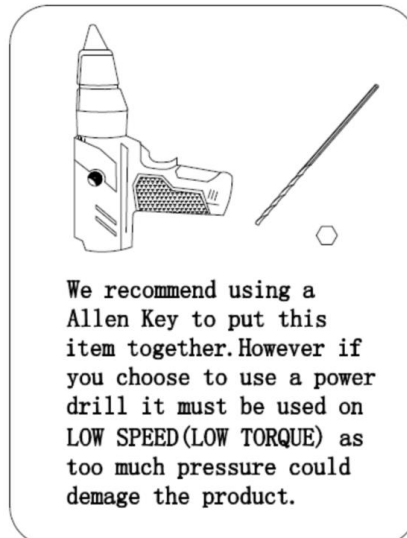
Imported by Amart Furniture Pty Ltd, Qld, Brisbane Australia.  
For any assistance with assembly or for missing parts please phone  
Amart Furniture, Customer Service Free call 1800 351 084

## PRE-ASSEMBLY PREPARATION

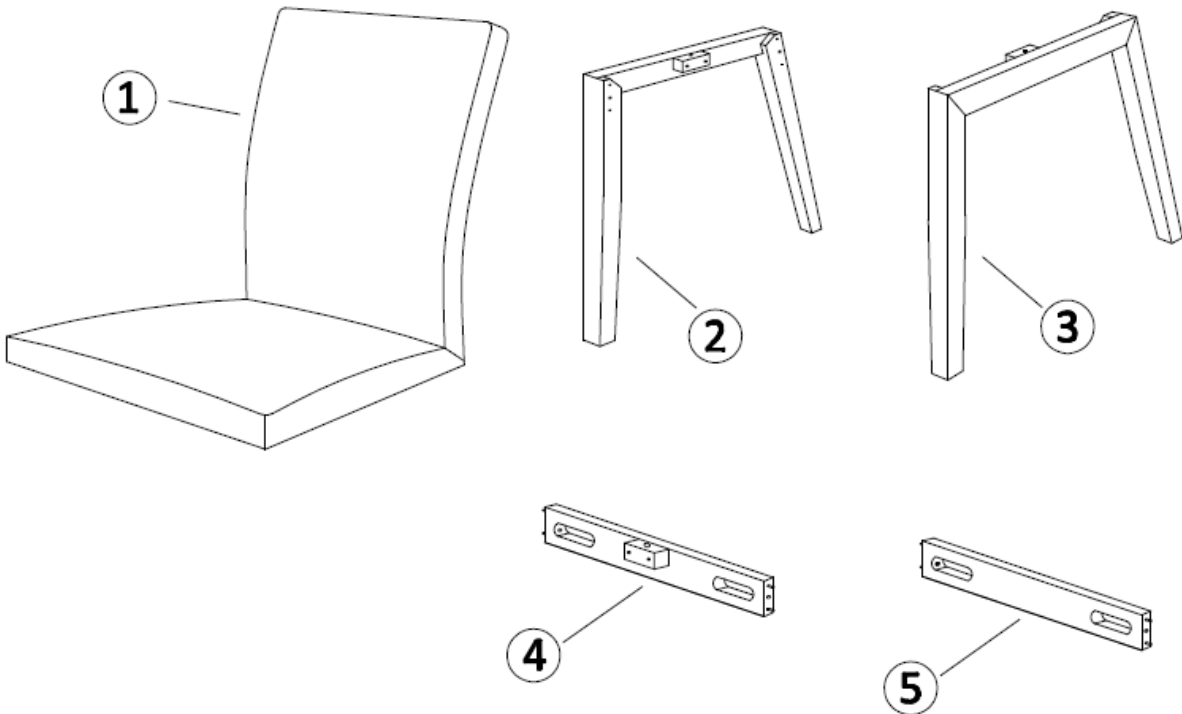
### Before you start:

1. Choose a clean, level, spacious assembly area. Avoid hard surfaces that may damage the product
2. Take care when lifting. Product should be assembled as near as possible to the point of use
3. Ensure that you have all required contents for complete assembly
4. Always read the assembly instructions carefully before beginning assembly.
5. Keep all hardware parts and packaging out of reach of small children.
6. Do not over tighten the screws and bolts as this may damage the threads








|  |   |
|--|---|
|   |  |
| <b>ALLOW 20 MINUTES</b>  | <b>PEOPLE REQUIRED</b>  |
|  |   |
| <b>TOOL REQUIRED</b>   |   |



# PARTS LIST

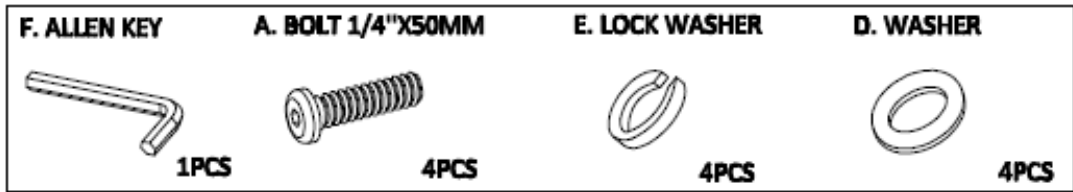


|   |             |
|---|-------------|
| 1 | SEAT PART   |
| 2 | LEFT LEG    |
| 3 | RIGHT LEG   |
| 4 | FRONT APRON |
| 5 | BACK APRON  |

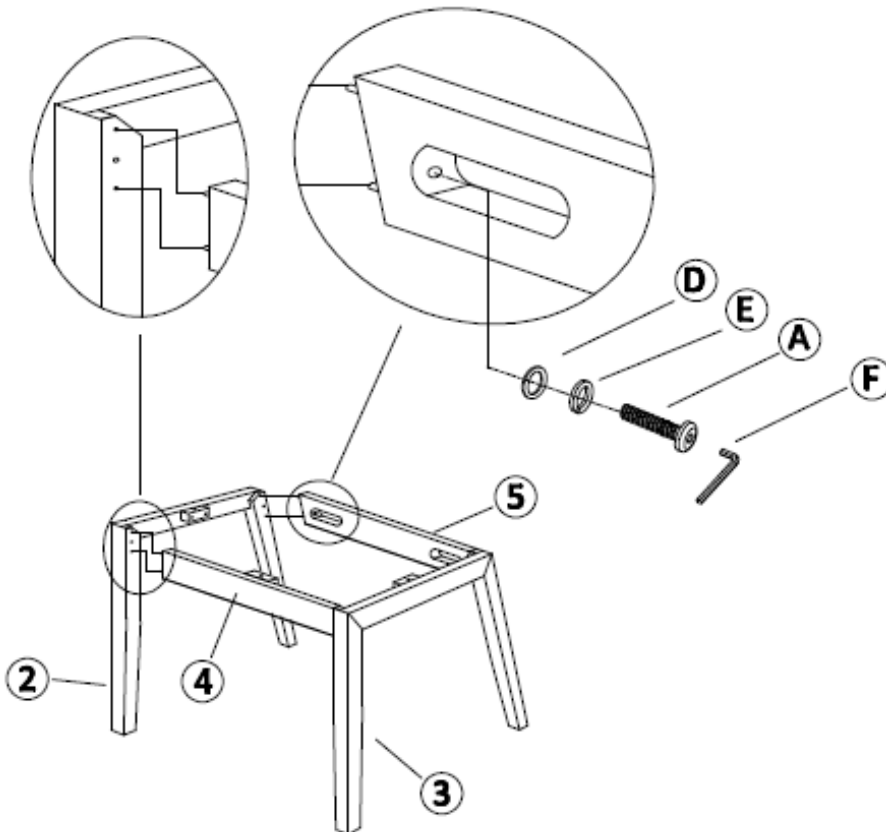
|  |  |   |  |
|--|--|---|--|
| <p><b>A. BOLT 1/4"X50MM</b></p>  <p><b>4PCS</b></p> | <p><b>B. BOLT Ø6X45MM</b></p>  <p><b>3PCS</b></p> | <p><b>C. FLAT WASHER</b></p>  <p><b>3PCS</b></p> | <p><b>D. WASHER</b></p>  <p><b>4PCS</b></p> |
| <p><b>E. LOCK WASHER</b></p>  <p><b>7PCS</b></p>    | <p><b>F. ALLEN KEY</b></p>  <p><b>1PCS</b></p>    | <p><b>G. MAT</b></p>  <p><b>4PCS</b></p>         |  |

## ITEMS REQUIRED

# 1

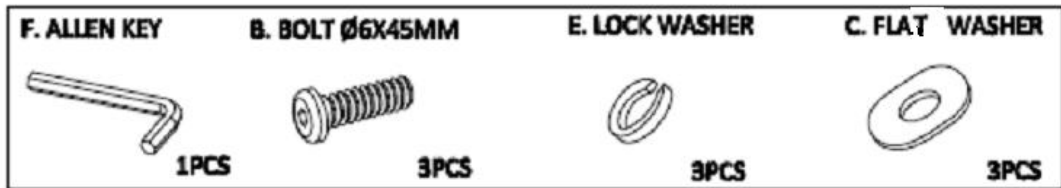


- Insert the dowels of the front apron (4) and the back apron (5) to the left leg (2) and the right leg (3). Please note that the angled legs are the back legs.
- Assemble bolts (A), lock washers (E) and washers (D) through each hole of the front apron (4) and the back apron (5) using Allen Key (F).
- Do not tighten the bolts at this point in time.

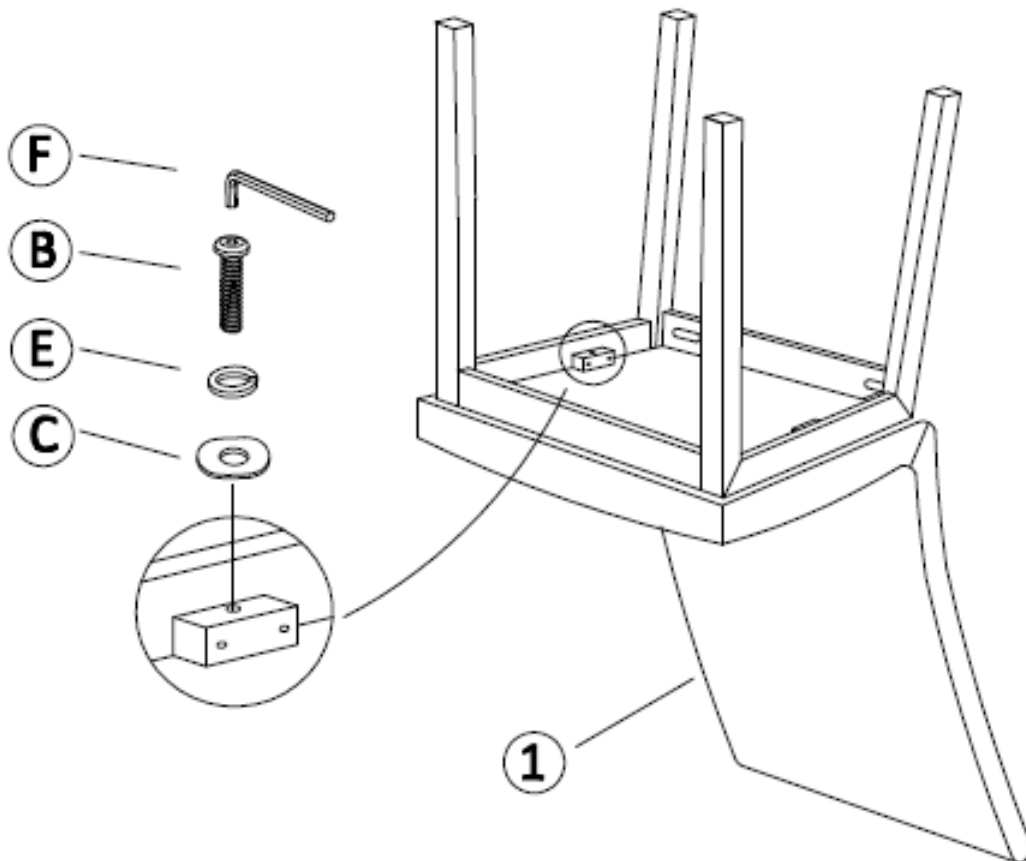


## ITEMS REQUIRED

# 2



- Assemble bolts (B), lock washers (E) and flat washers (C) through the wood block on the front apron and the side aprons to the seat part(1) using Allen Key (F).
- Do not tighten the bolts at this point in time.



## ITEMS REQUIRED

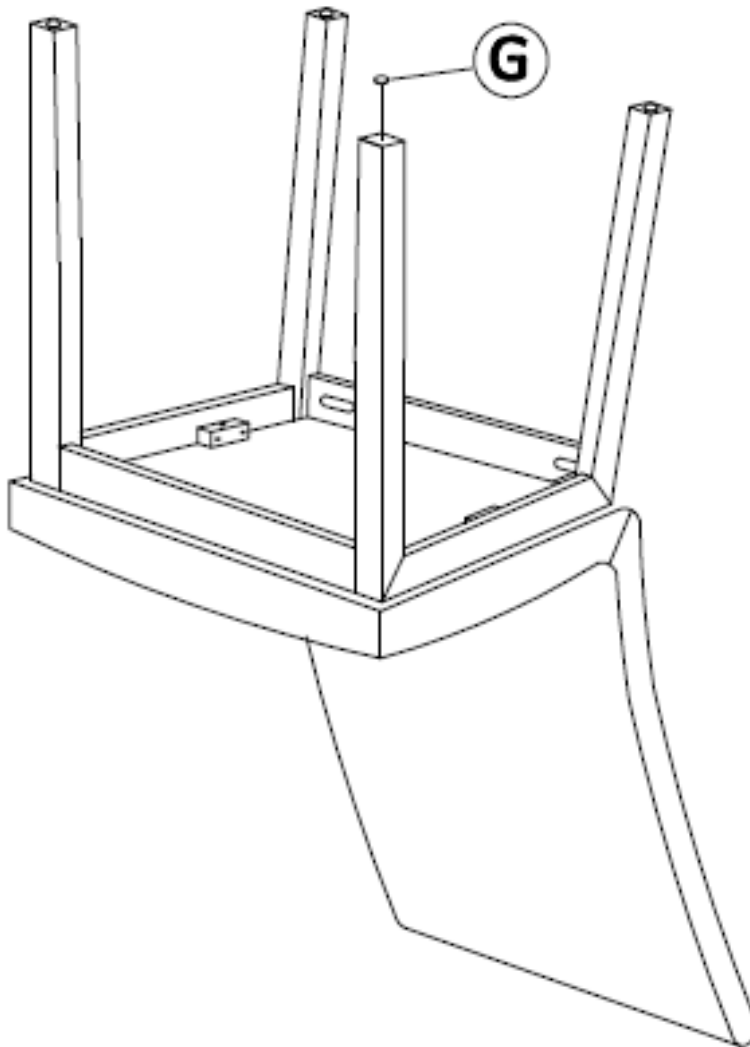
# 3

G. MAT



4PCS

- Attach the mats to the bottom of the legs.



## ITEMS REQUIRED

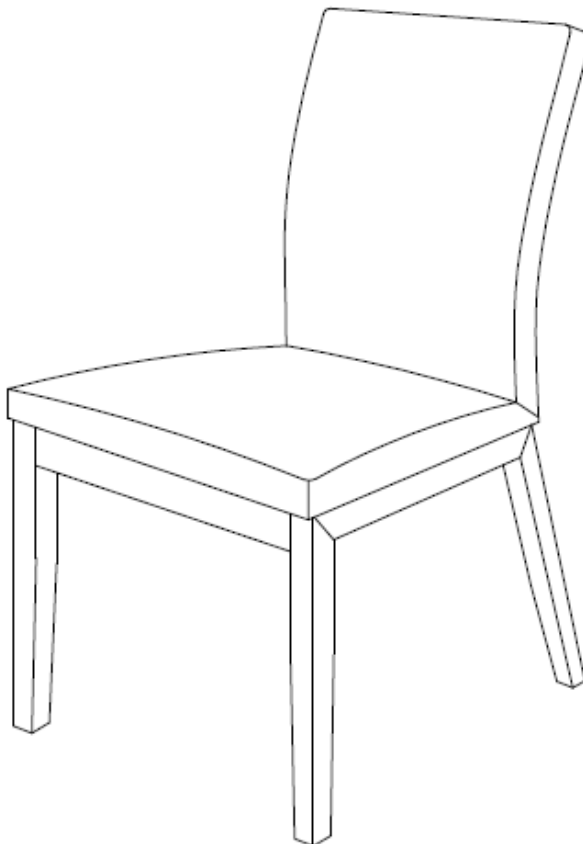
# 4

F. ALLEN KEY



1PCS

Carefully turn the chair over, and put the chair on the floor. Tighten each loose bolt a little at a time while making sure the chair remains level. Repeat until all loose bolts are tight.



**ASSEMBLY IS COMPLETE**

# Care and maintenance

## **REGULAR CARE:**

- Protect from direct sunlight
- Vacuum regularly using low suction
- Rotate reversible cushions regularly

## **CLEANING:**

- Do not remove cushion covers for separate cleaning even though they may have zippers
- Do not wash , Do not dry clean , Do not shampoo clean
- Clean with hot water extraction machine. Professional cleaning recommended
- Do not use dishwashing liquid or laundry detergent
- Use only upholstery detergents
- Do not wet filling
- Dry in shade away from direct heat and sunlight
- Allow to dry thoroughly before re-use

## **SPOT CLEANING:**

- Do not rub
- Do not spot clean with any solvent
- Treat spills and stains as soon as possible
- Gently scrape off any soil or mop any liquid from the surface of the fabric
- Apply proprietary cleaning agents strictly according to instructions to remove the residue of the spill
- Do not saturate the fabric or interior with water or other cleaning liquids

## **WARNING:**

Apply only water-based soil resist (fabric protection) treatments. Do not use aerosol products

- \* PILLING IS NOT A FABRIC DEFECT OR FAULT AND IS NOT COVERED BY WARRANTY
- \* PILLING IS A NORMAL OCCURRENCE CAUSED BY WEAR AND TEAR AND DOES NOT AFFECT THE DURABILITY OR FUNCTIONALITY OF THE FABRIC AND IS EASILY REMOVED

## **Do not:**

- Use chair/stool as a ladder
- Climb on the chair/stool
- Stand on the foot-rest of the chair, as this could lead to the stool becoming unbalanced and overturning