



ASSEMBLY INSTRUCTION

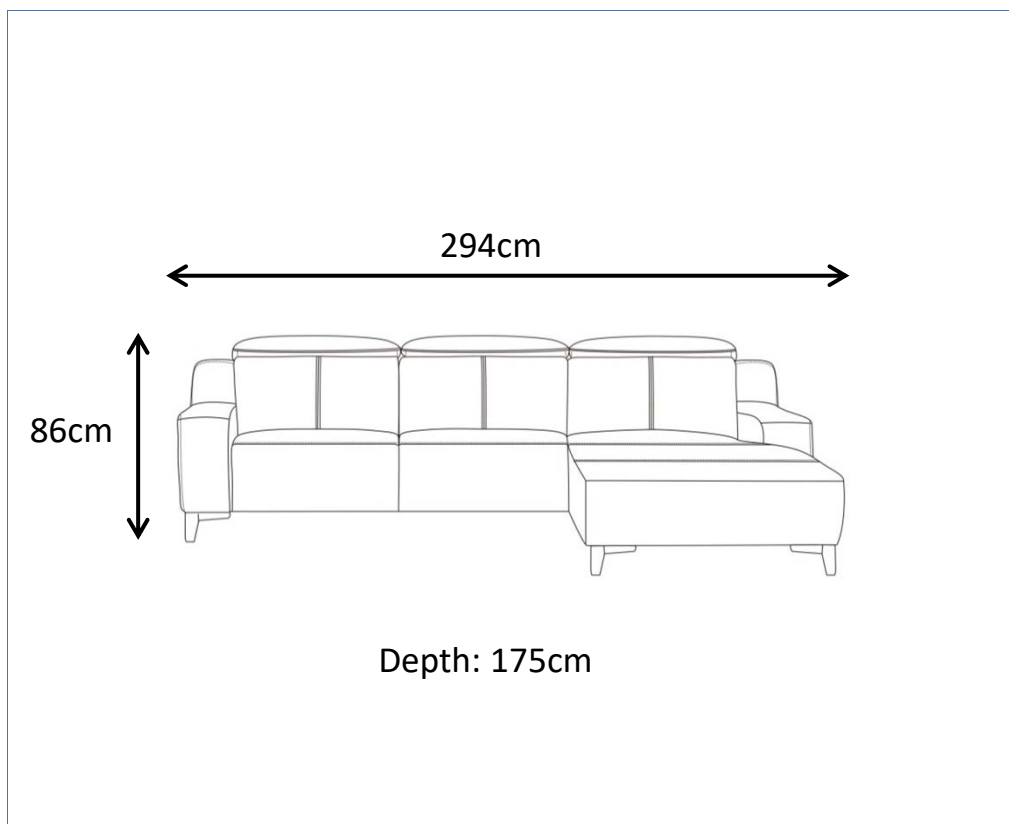
GAGE FABRIC 3S RHF

ITEM CODE 83097

Imported by Amart Furniture Pty Ltd, Qld, Brisbane Australia.

For any assistance with assembly or for missing parts please phone

Amart Furniture, Customer Service Free call 1800 791 390



Imported by Amart Furniture Pty Ltd, Qld, Brisbane Australia.

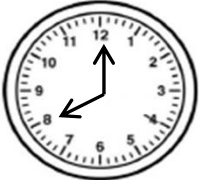

For any assistance with assembly or for missing parts please phone

Amart Furniture, Customer Service Free call 1800 791 390

PRE-ASSEMBLY PREPARATION

Before you start:

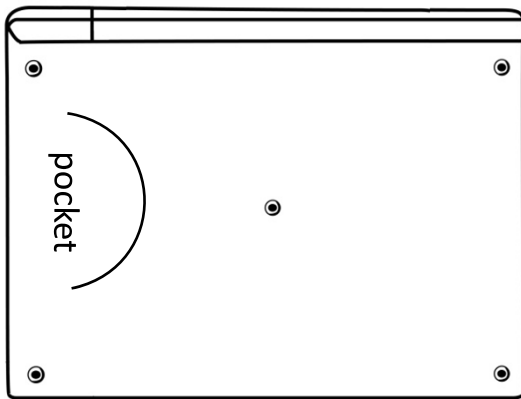
1. Choose a clean, level, spacious assembly area. Avoid hard surfaces that may damage the product
2. Take care when lifting. Product should be assembled as near as possible to the point of use
3. Ensure that you have all required contents for complete assembly
4. Always read the assembly instructions carefully before beginning assembly.
5. Keep all hardware parts and packaging out of reach of small children.
6. Do not over tighten the screws and bolts as this may damage the threads

	
ALLOW 40MINUTES	PEOPLE REQUIRED
ADDITIONAL TOOLS REQUIRED	

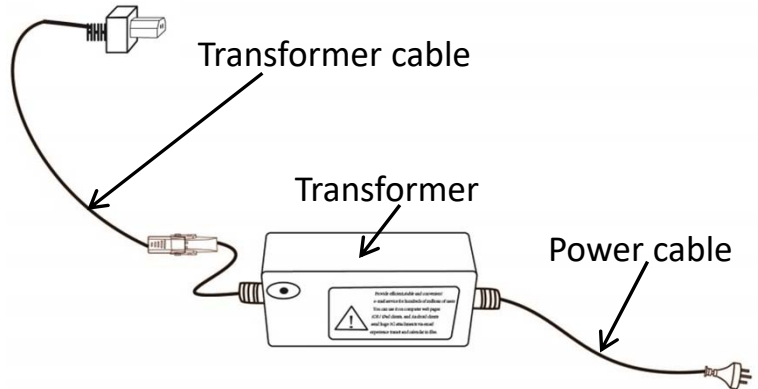
WARNING


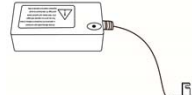
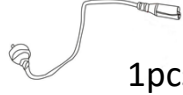


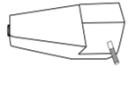

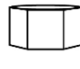




- Do Not allow children to play on this mechanised furniture or operate the mechanism. Leg rest folds down on closing so that a child could possibly be injured. Always leave in an upright and closed position. Keep hands and feet clear of mechanism. Only the occupant should operate it.

Step1: Locate package of sofa legs with fittings and recliner power pack that are placed into zipper pocket at the bottom of left hand facing recliner.

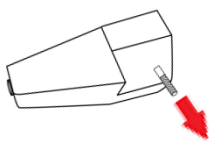


Power Parts Connection

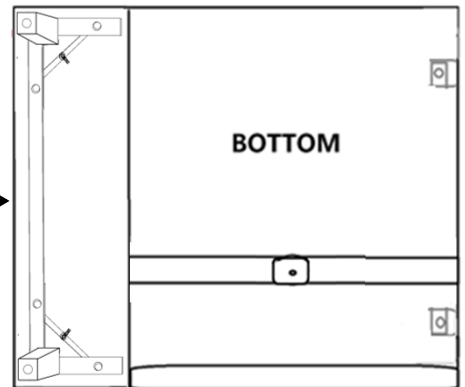
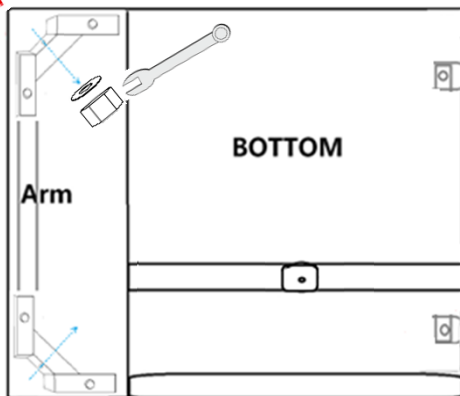


 <p>Transformer cable 1pcs</p>	 <p>Transformer 1pcs</p>	 <p>Power cable 1pcs</p>	 <p>h. Wrench 17mm 1pcs</p>	 <p>i. Metal Leg 1pcs</p>		
 <p>a. Timber Leg 2pcs</p>	 <p>b. Round Leg 1pcs</p>	 <p>c. Nut 10mm 2pcs</p>	 <p>d. Washer 22*10*1.2mm 2pcs</p>	 <p>e. Bolt M6X30mm 4pcs</p>	 <p>f. Washer 25*8.5*2mm 4pcs</p>	 <p>g. Allen key M4 1pcs</p>

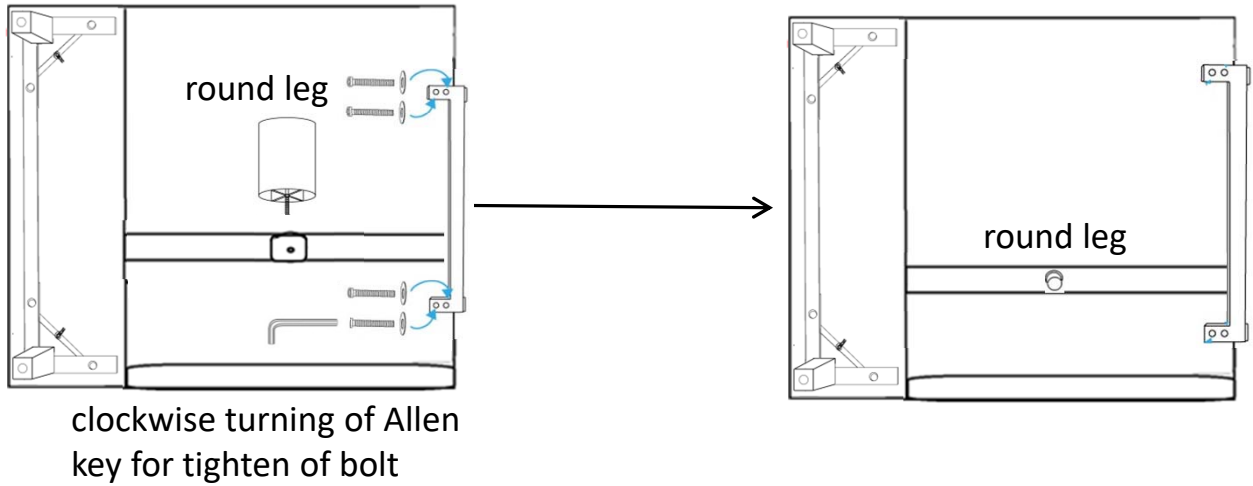
Step2: Tighten the timber legs (a) to the bottom of left hand facing recliner with nuts (c) and washers (d) by Wrench (h).



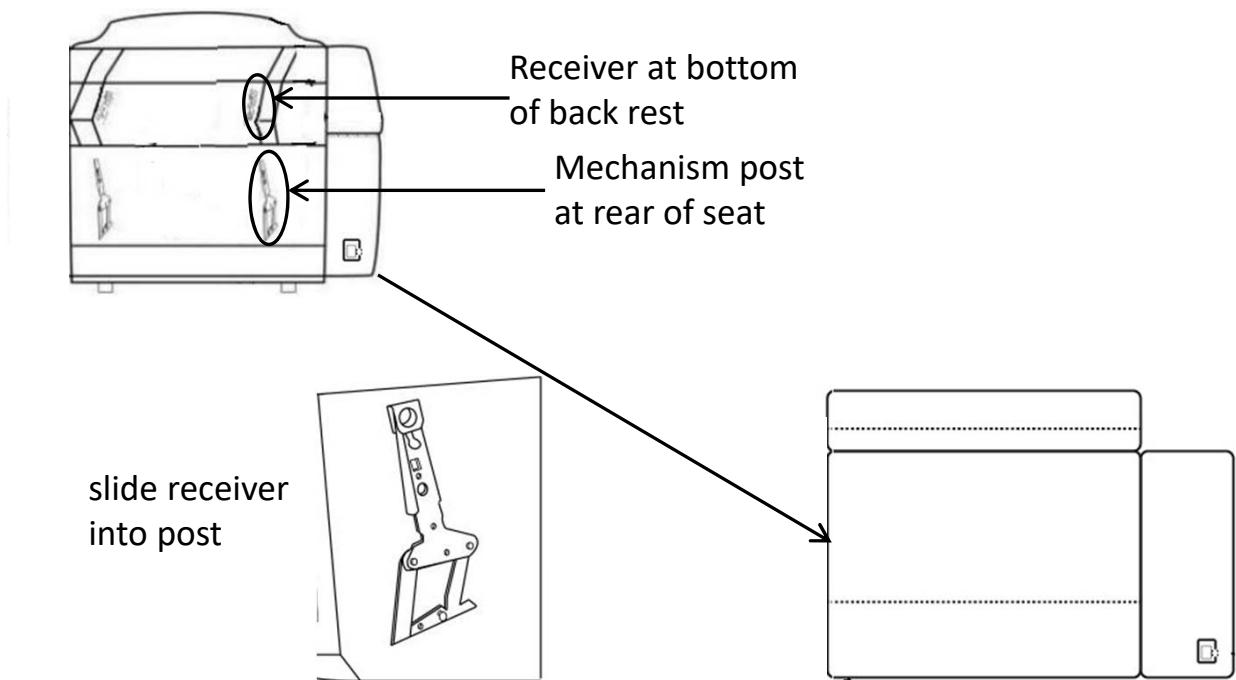
clockwise turning of Wrench for tighten of nut



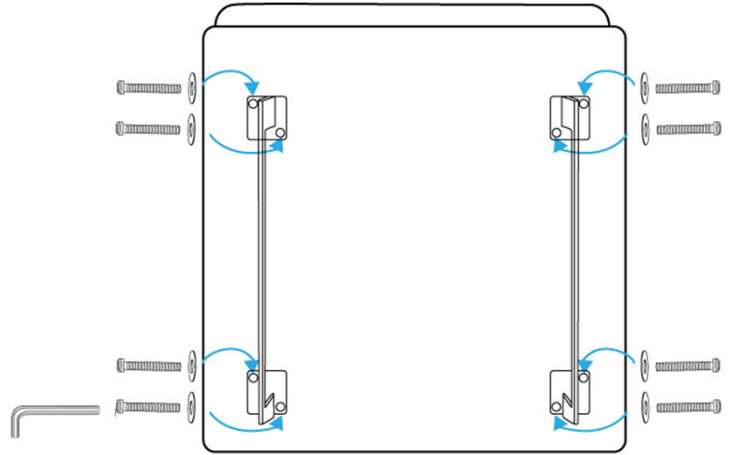
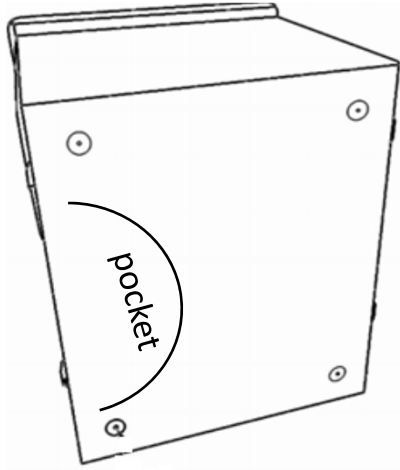
Step3: Tighten the metal leg (i) to the bottom of left hand facing recliner with bolts (e) and washers (f) by Allen key (g), also, secure the round leg (b) by placing the leg in the pre-drilled hole and turning the leg in a clockwise direction to tighten.



Step4: Connect the left hand facing recliner backrest to the seat by sliding the backrest receivers into the steel mechanism posts at the rear of the seat. Press firmly and evenly down on both sides of the backrest to ensure this is fully locked into place.



Step5: Locate package of sofa legs with fittings and power cord that are placed into zipper pocket at the bottom of armless chair. Then, tighten the metal legs (j) to the bottom of armless chair with bolts (k) and washers (l) by Allen key (m).



Power Cord



1pcs

clockwise turning of Allen key for tighten of bolt

j. Metal Leg



2pcs

k. Bolt

M8X30mm



8pcs

l. Washer

15*8.5*1.5mm



8pcs

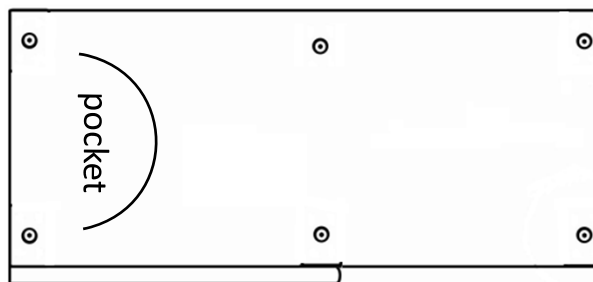
m. Allen key

M6



1pcs

Step6: Locate package of sofa legs with fittings and power cord that are placed into zipper pocket at the bottom of right hand facing chaise.

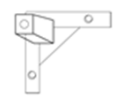


Power Cord



1pcs

n. Timber Leg



4pcs

o. Round Leg



1pcs

j. Metal Leg



1pcs

p. Bolt

M8X50mm



12pcs

l. Washer

15*8.5*1.5mm



12pcs

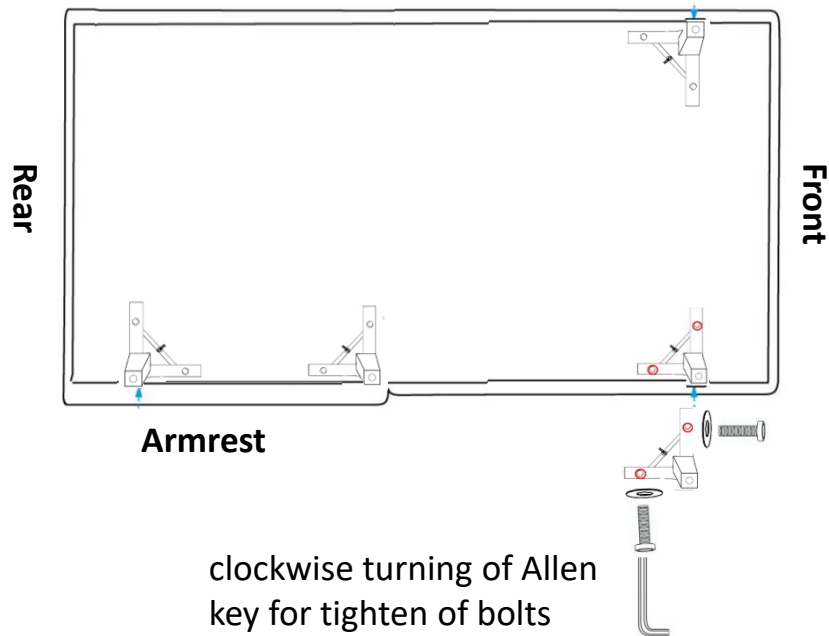
m. Allen key

M6



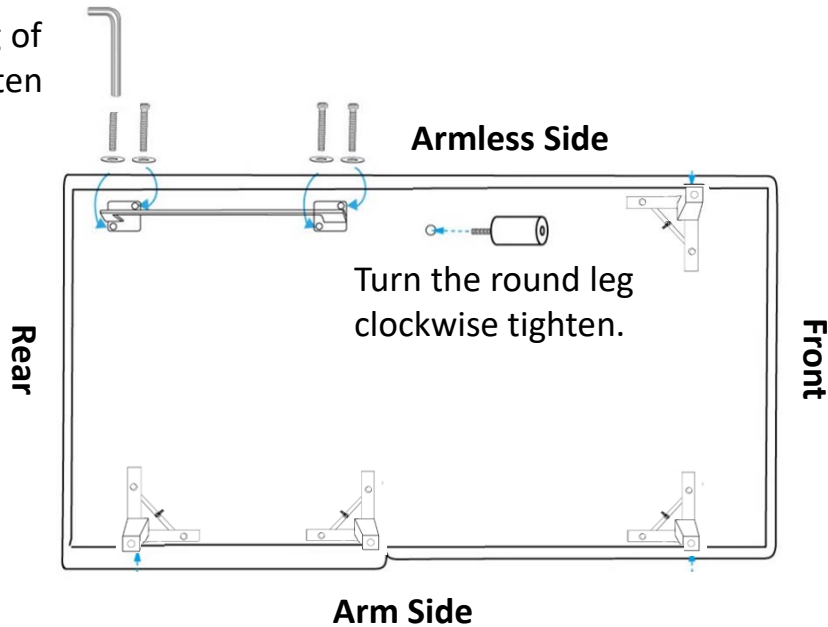
1pcs

Step7: Tighten the timber legs (n) at bottom of front and armrest of the right hand facing chaise with bolts (p) and washers (l) by Allen key (m).

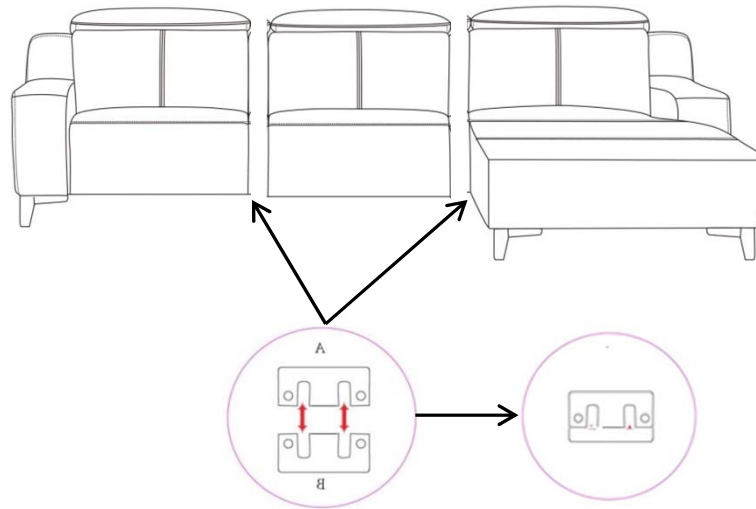


Step8: Tighten the metal leg (j) to the bottom of RHF Chaise with bolts (p) and washer (l) by Allen key (m). Screw round leg (o) at middle of armless side.

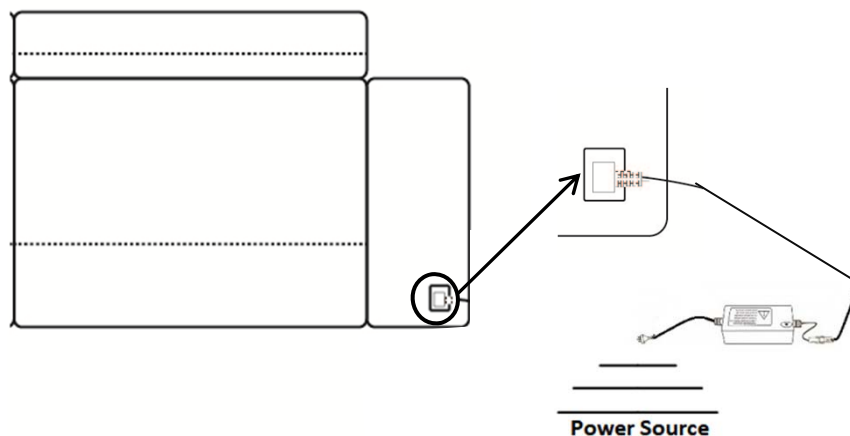
clockwise turning of Allen key for tighten of bolts



Step9: Connect 3 pieces from right to left. Begin with the right hand facing chaise, then armless chair, then left hand facing recliner. Slide clips together then press the front and rear sides to ensure the clips are connected all the way to the bottom.



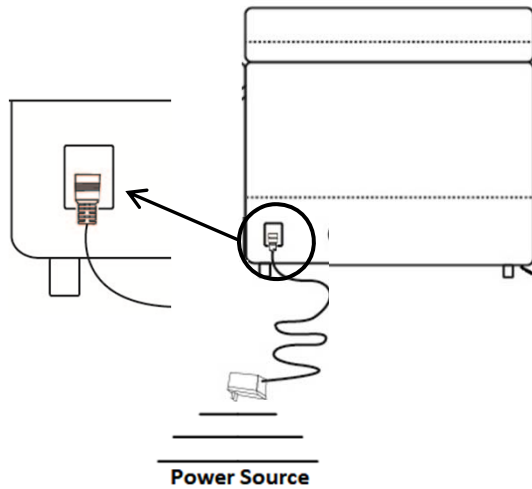
Step10: Plug power parts connection (refer to step 1) into socket at back panel of the left hand facing recliner, then Plug Recliner power cable into power source / wall.



SAFETY NOTE:

PLEASE ENSURE THAT ALL ELECTRICAL CORDS AND CABLES ARE CLEAR OF THE FRAME AND MECHANISM. A FAILURE TO DO SO MAY SEVER YOUR POWER CORD RESULTING IN SERIOUS INJURY OR DEATH.

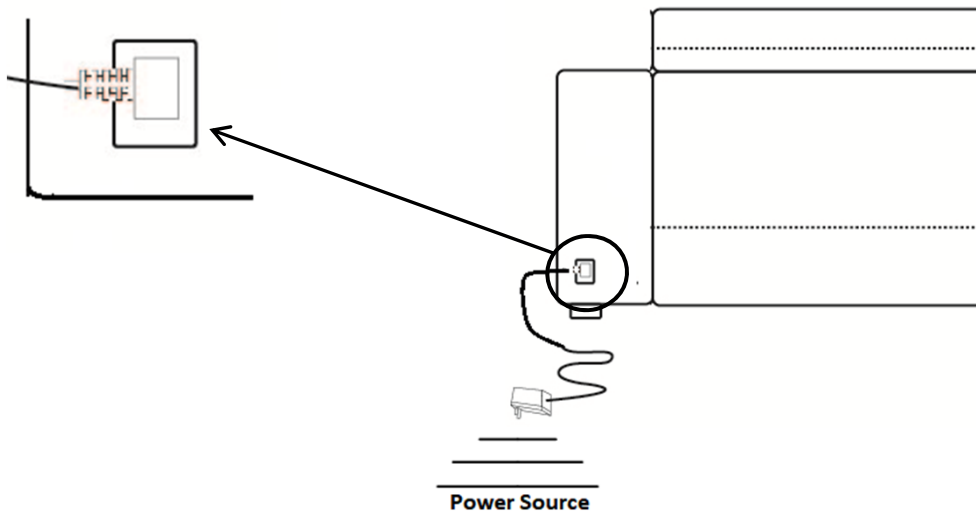
Step11: Plug power cord (refer to step 4) into socket at back panel of the armless chair, then Plug the cord into power source / wall.



SAFETY NOTE:

PLEASE ENSURE THAT ALL ELECTRICAL CORDS AND CABLES ARE CLEAR OF THE FRAME AND MECHANISM. A FAILURE TO DO SO MAY SEVER YOUR POWER CORD RESULTING IN SERIOUS INJURY OR DEATH.

Step12: Plug power cord (refer to step 6) into socket at back panel of the right hand facing chaise, then Plug the cord into power source / wall.



SAFETY NOTE:

PLEASE ENSURE THAT ALL ELECTRICAL CORDS AND CABLES ARE CLEAR OF THE FRAME AND MECHANISM. A FAILURE TO DO SO MAY SEVER YOUR POWER CORD RESULTING IN SERIOUS INJURY OR DEATH.

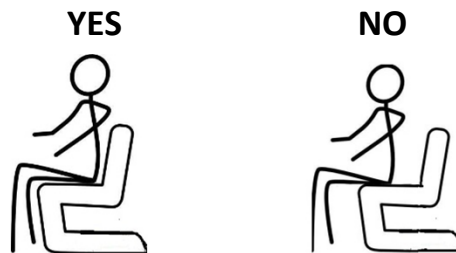
READ THESE INSTRUCTIONS THOROUGHLY BEFORE USE:

DANGER: TO REDUCE THE RISK OF ELECTRIC SHOCK:
Always unplug from electric outlet before cleaning.

WARNING: RISK OF INJURY
Keep children away from extended footrest and any moving parts.

CAUTION:

- Do not allow children to play on this electric recliner or operate the powered mechanism. The leg rest folds when closing and could possibly cause injury to a child. Always leave the recliner in an upright and closed position when not in use. Keep hands and feet clear of mechanism. Only the occupant should operate it.
- Do ensure fully enter the normal sitting position before using of the recliner. Improper sitting, such as sitting in the front of recliner may result in damage to both mechanism and motor drive bar.



POWER CORD SAFETY

WARNING: Unplug and remove power cord from wall when not in use and store out of reach of children.

Take care when moving recliner that wall and transformer cords are not under the base or they may get damaged.

- NEVER OPERATE ELECTRIC RECLINER IF IT HAS A DAMAGED CORD OR PLUG.

WARNING: TO REDUCE RISK OF BURNS, FIRE, ELECTRIC SHOCK OR PERSONAL INJURY TO PERSONS:

- Use only for its intended purpose
- Never press or activate control switch if you are not seated in recliner
- Only the occupant should activate the control switch
- Never operate with more than one person occupying seat
- Never sit or stand on the footrest

CARE AND MAINTENANCE

FABRIC CARE

REGULAR CARE: PROTECT FROM DIRECT SUNLIGHT.
VACUUM REGULARLY USING LOW SUCTION.
ROTATE REVERSIBLE CUSHIONS REGULARLY.

CLEANING:

DO NOT REMOVE CUSHION COVERS FOR SEPARATE
CLEANING EVEN THOUGH THEY HAVE ZIPPERS.

DO NOT WASH

DO NOT DRY CLEAN

DO NOT SHAMPOO CLEAN

CLEAN WITH HOT-WATER EXTRACTION MACHINE.

(HOT) PROFESSIONAL CLEANING RECOMMENDED.

DO NOT USE DISHWASHING OR LAUNDRY DETERGENTS.

USE ONLY UPHOLSTERY DETERGENTS

DO NOT WET FILLING

DRY IN SHADE AWAY FROM DIRECT HEAT AND SUNLIGHT

ALLOW TO DRY THOROUGHLY BEFORE RE-USE

SPOT CLEANING:

DO NOT RUB

DO NOT SPOT CLEAN WITH ANY SOLVENT.

TREAT SPILLS AND STAINS AS SOON AS POSSIBLE.

GENTLY SCRAPE ANY SOIL OR MOP ANY LIQUID FROM THE SURFACE OF THE
FABRIC.

APPLY PROPRIETARY CLEANING AGENTS STRICTLY
ACCORDING TO INSTRUCTIONS TO REMOVE THE
RESIDUE OF THE SPILL.

DO NOT SATURATE THE FABRIC OR INTERIOR WITH
WATER OR OTHER CLEANING LIQUIDS.

WARNING: APPLY ONLY WATER-BASED SOIL RESIST
(FABRIC PROTECTION) TREATMENTS. DO NOT USE
AEROSOL PRODUCTS.