



ASSEMBLY INSTRUCTION

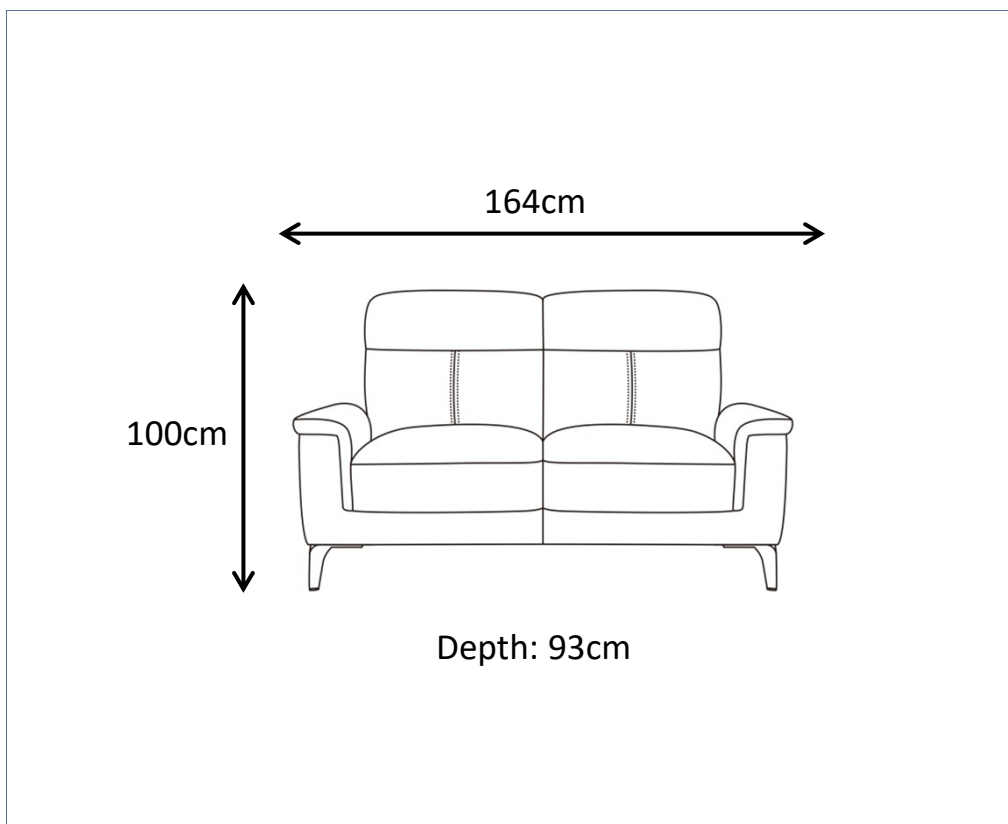
CAPEL FABRIC 2S

ITEM CODE 83150

Imported by Amart Furniture Pty Ltd, Qld, Brisbane Australia.

For any assistance with assembly or for missing parts please phone

Amart Furniture, Customer Service Free call 1800 791 390



Imported by Amart Furniture Pty Ltd, Qld, Brisbane Australia.

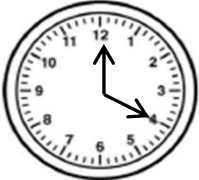

For any assistance with assembly or for missing parts please phone

Amart Furniture, Customer Service Free call 1800 791 390

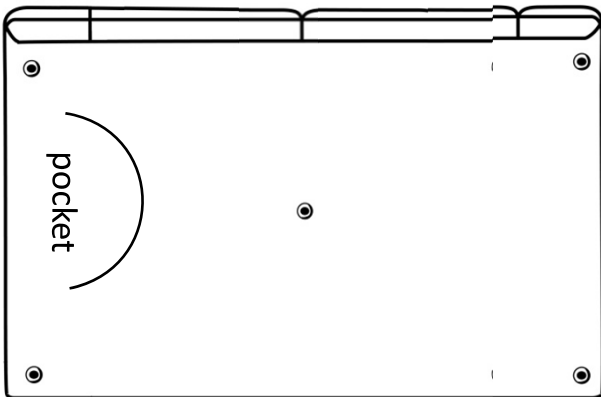
PRE-ASSEMBLY PREPARATION






Before you start:

1. Choose a clean, level, spacious assembly area. Avoid hard surfaces that may damage the product
2. Take care when lifting. Product should be assembled as near as possible to the point of use
3. Ensure that you have all required contents for complete assembly
4. Always read the assembly instructions carefully before beginning assembly.
5. Keep all hardware parts and packaging out of reach of small children.
6. Do not over tighten the screws and bolts as this may damage the threads

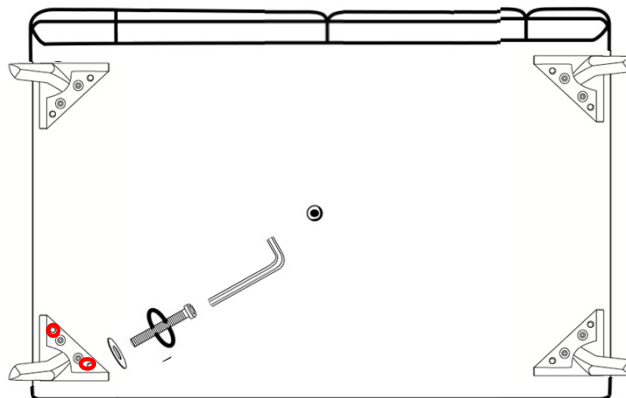
	
ALLOW 20MINUTES	PEOPLE REQUIRED
ADDITIONAL TOOLS REQUIRED	

Step1: Locate package of sofa legs with fittings that is placed into zipper pocket at the bottom of 2-Seater.



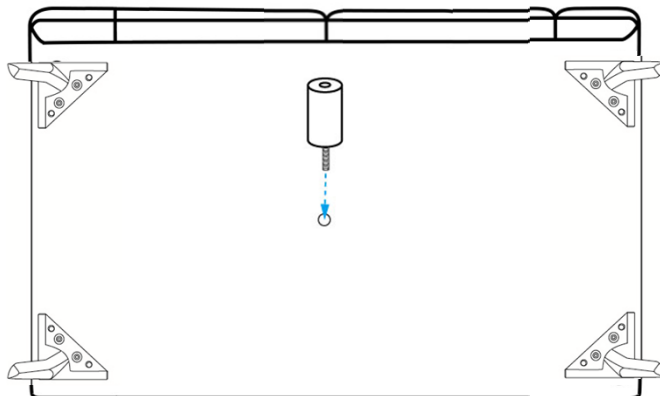
a. Metal Leg  4pcs	c. Round Leg  1pcs	d. Bolt M8X40  8pcs	f. Washer 18*8.5*2mm  8pcs	h. Allen Key M6  1pcs
--	--	---	--	--

Step2: Tighten the metal legs (a) to the bottom of 2-Seater with bolts (d) and washers (f) by Allen key (h).



clockwise turning of Allen
key for tighten of bolt

Step3: Secure the round leg (c) by placing the leg in the pre-drilled hole and turning the leg in a clockwise direction to tighten.



CARE AND MAINTENANCE

FABRIC CARE

REGULAR CARE: PROTECT FROM DIRECT SUNLIGHT.
VACUUM REGULARLY USING LOW SUCTION.
ROTATE REVERSIBLE CUSHIONS REGULARLY.

CLEANING:

DO NOT REMOVE CUSHION COVERS FOR SEPARATE
CLEANING EVEN THOUGH THEY HAVE ZIPPERS.

DO NOT WASH

DO NOT DRY CLEAN

DO NOT SHAMPOO CLEAN

CLEAN WITH HOT-WATER EXTRACTION MACHINE.

(HOT) PROFESSIONAL CLEANING RECOMMENDED.

DO NOT USE DISHWASHING OR LAUNDRY DETERGENTS.

USE ONLY UPHOLSTERY DETERGENTS

DO NOT WET FILLING

DRY IN SHADE AWAY FROM DIRECT HEAT AND SUNLIGHT

ALLOW TO DRY THOROUGHLY BEFORE RE-USE

SPOT CLEANING:

DO NOT RUB

DO NOT SPOT CLEAN WITH ANY SOLVENT.

TREAT SPILLS AND STAINS AS SOON AS POSSIBLE.

GENTLY SCRAPE ANY SOIL OR MOP ANY LIQUID FROM THE SURFACE OF THE
FABRIC.

APPLY PROPRIETARY CLEANING AGENTS STRICTLY
ACCORDING TO INSTRUCTIONS TO REMOVE THE
RESIDUE OF THE SPILL.

DO NOT SATURATE THE FABRIC OR INTERIOR WITH
WATER OR OTHER CLEANING LIQUIDS.

WARNING: APPLY ONLY WATER-BASED SOIL RESIST
(FABRIC PROTECTION) TREATMENTS. DO NOT USE
AEROSOL PRODUCTS.