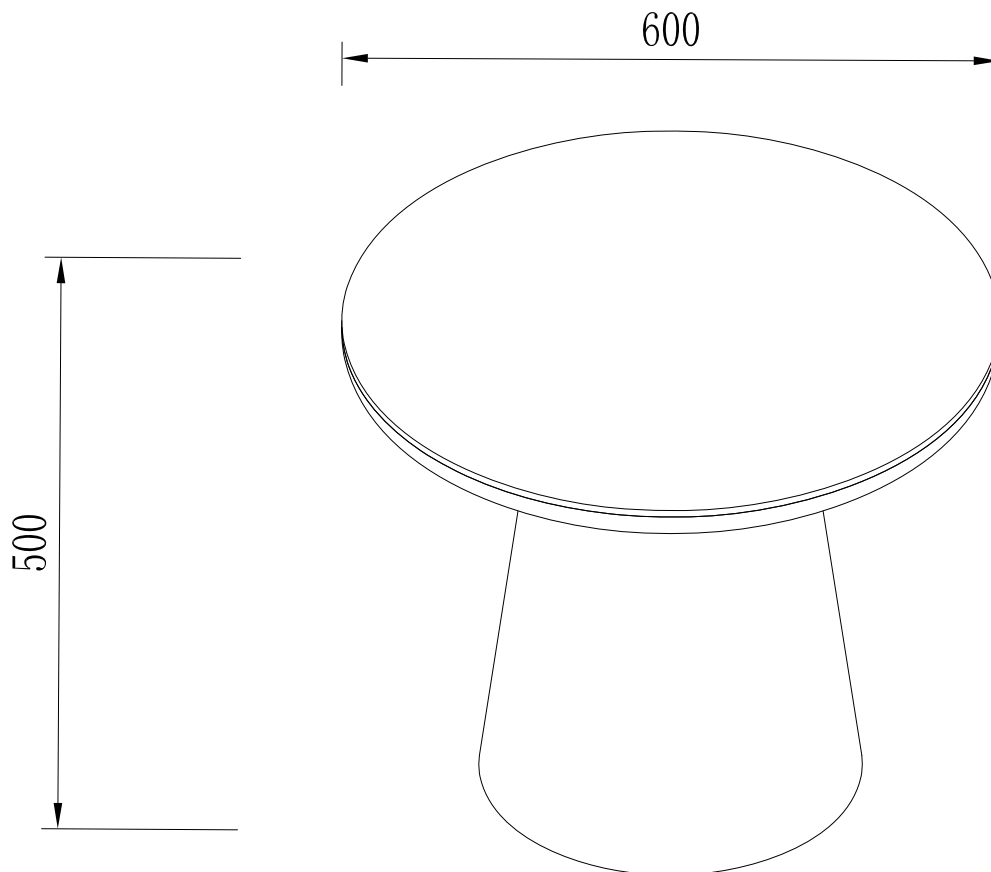




**ASSEMBLY INSTRUCTION
THANOS LAMP TABLE
ITEM CODE 83627**

**Imported by AmartFurniture Pty Ltd, Qld,
Brisbane Australia. For any assistance
with assembly or for missing parts please
phone AmartFurniture, Customer Service
Free call 1800 351 084**



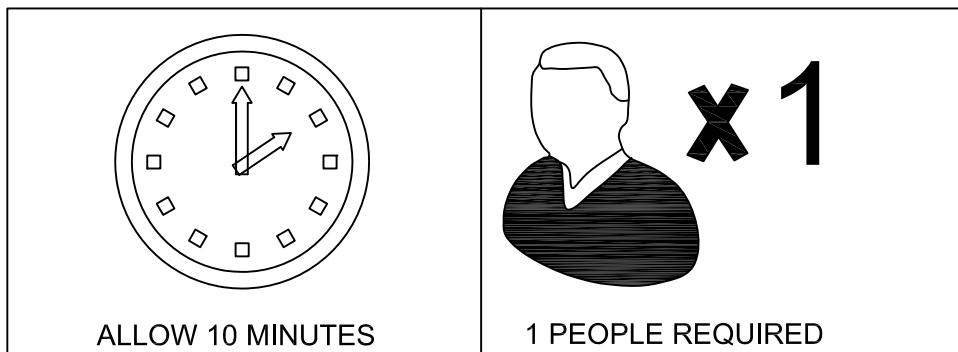
Imported by AmartFurniture Pty Ltd, Brisbane QLD Australia. For any assistance with assembly or for missing parts please phone AmartFurniture, Customer Service Freecall 1800351 084

83627

PRE-ASSEMBLY PREPARATION

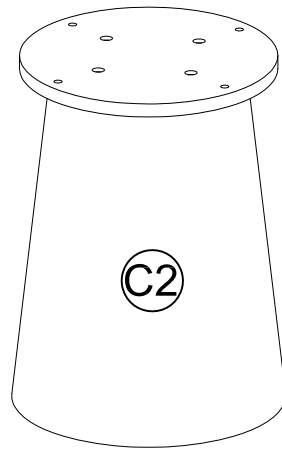
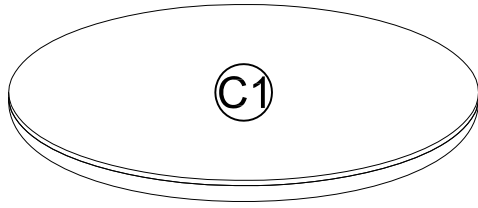
Before you start:

1. Choose a clean, level, spacious assembly area. Avoid hard surfaces that may damage the product
2. Take care when lifting. Product should be assembled as near as possible to the point of use
3. Ensure that you have all required contents for complete assembly.
4. Always read the assembly instructions carefully before beginning assembly.
5. Keep all hardware parts and packaging out of reach of small children.
6. Do not over tighten the screws and bolts as this may damage the threads




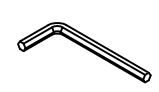



! WARNING		
		<p>Children have died from furniture tipover.</p> <ul style="list-style-type: none">• ALWAYS secure it with an anchor device.• NEVER allow children to stand, climb or hang on drawers, doors, or shelves.• NEVER open more than one drawer at a time.• Place heavy items down low <p>NEVER put a TV on this furniture </p> <p>This is a permanent label. Do not remove!</p>

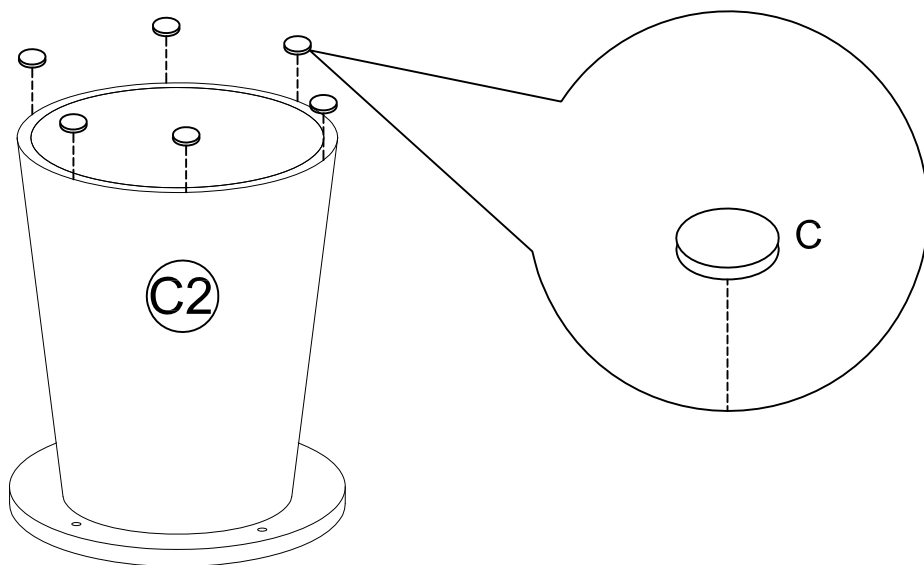
PARTS LIST



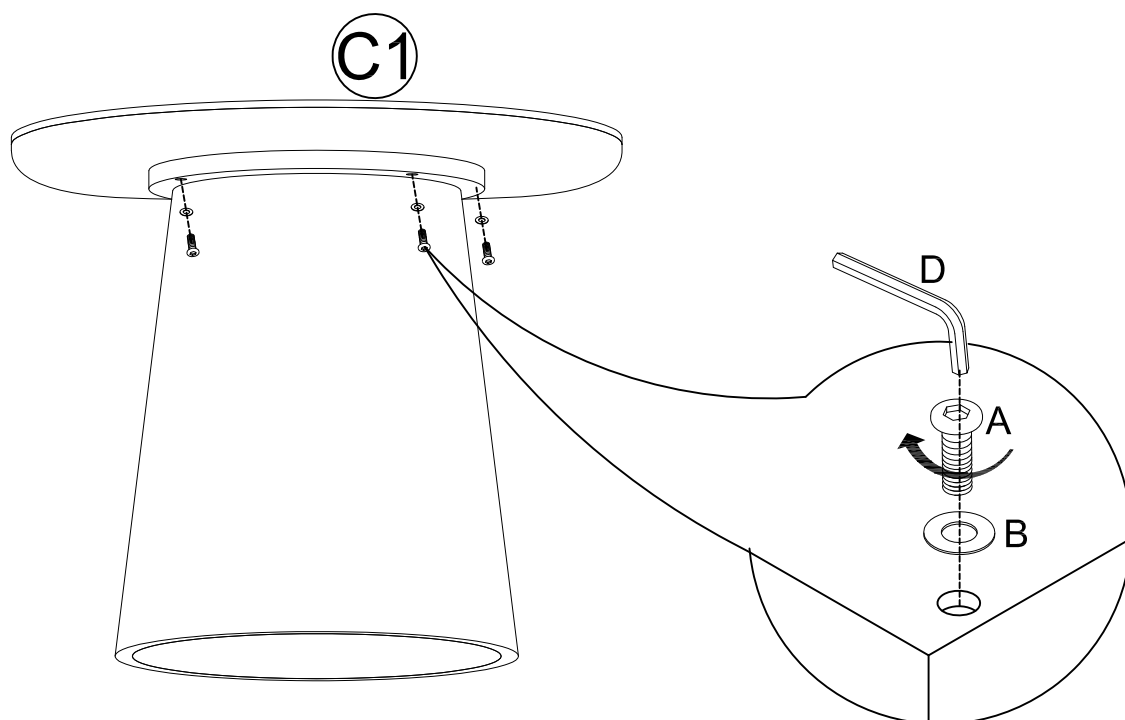
C1	Table Top
C2	Table Base

<input type="checkbox"/> A.Bolt M8x30  4PCS	<input type="checkbox"/> B.Washer Ø16  4PCS	<input type="checkbox"/> C.Protect foam Ø35X5mm  6PCS	<input type="checkbox"/> D.Hex Key 5MM  1PCE	<input type="checkbox"/> E.Safety Bracket Kit  1PCS
--	---	---	---	---

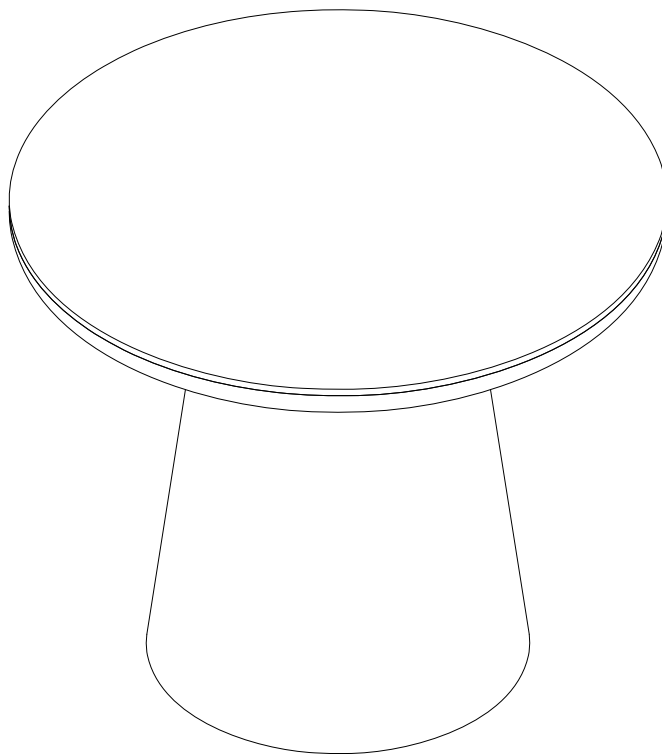
Step 1: Attach the Protect Foam(C) to the Table Base(C2).



Step 2: Use Hex Key(D) to attach the Table Base(C2) to the Table Top(C1) with Bolt(A) and Washer(B).



Assembly is complete.



CAUTION: ALWAYS LIFT YOUR PRODUCT WHEN MOVING/RELOCATING. DO NOT DRAG.
DRAGGING CAN CAUSE DAMAGE TO THE LEGS

SAFETY BRACKETS INSTRUCTIONS

This furniture poses a tipping risk and as such must be secured to a wall using the provided tipping kit.

1. Attach one Mounting Plate to the wall with the Large Screws. Make sure to attach the Mounting Plate into a stud. If mounting into brick or masonry you will need to acquire wall anchors. Please enquire with your local hardware supplier for appropriate fixings.
2. Attach the second Mounting Plate to the furniture frame with the Short Screws.
3. Move the furniture to its final position. Thread a Wall Strap through the both Mounting Plates and tighten until snug. Do not over tighten.
4. Make sure that the Mounting Plates are firmly attached to the wall and furniture and that the Wall Strap is snug.

HARDWARE



Mounting Plate x 2



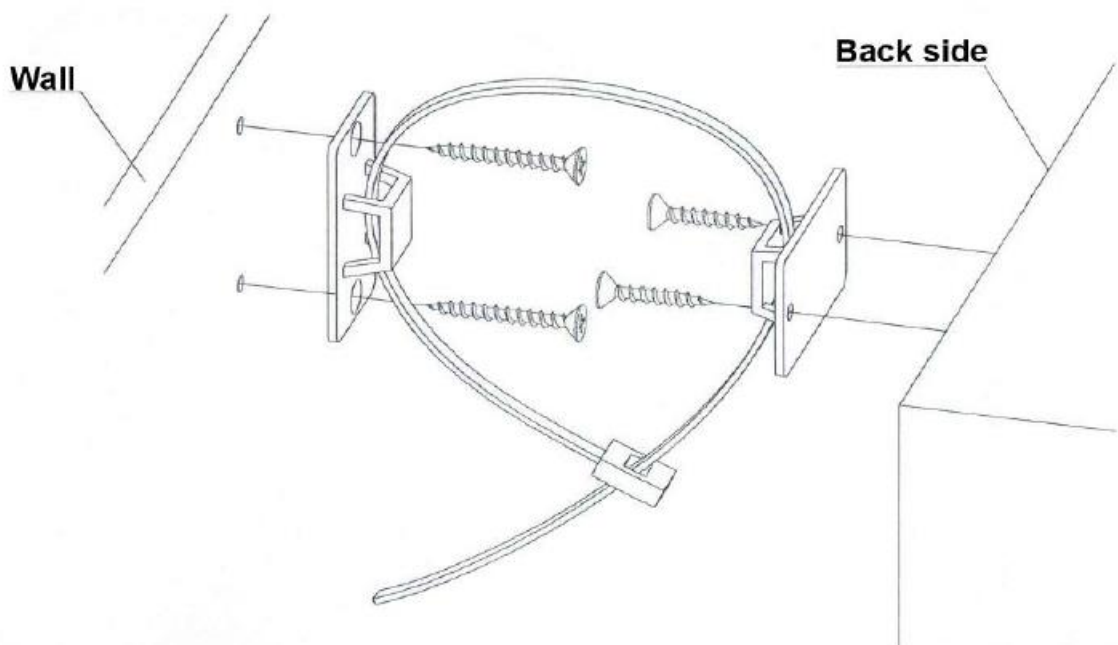
Wall Strap x 1



Large Screw x2



Small Screw x2



Product Care for Sintered Stone Items

Daily Cleaning

•
General Stain Removal: As the surface of sintered stone furniture is non - porous and non - absorbent, for daily cleaning, simply wiping with a soft, damp cloth can remove dust and light stains such as coffee stains and fruit juice stains. For more stubborn stains, a mild detergent can be used. However, avoid using cleaners that contain strong acids, strong alkalis, or abrasive components to prevent damage to the furniture surface.

•Preventing Water Stain Residue: After cleaning, wipe off the water in a timely manner to prevent water stain residue. Because long - term water stains may form water marks on the surface and affect the appearance.

Avoid Scratching and Collision

•
Careful Use: In daily use, avoid using sharp objects such as knives and keys to scratch on the furniture surface, as this may cause scratches. Although sintered stone is relatively wear - resistant, sharp objects can still damage its surface.

•Pay Attention to Moving: When moving furniture, handle it with care and avoid collision with other hard objects. If you need to move heavy sintered stone furniture, it's best to ask professionals for help to prevent accidental collisions during the moving process and damage to the furniture.

Prevent Chemical Corrosion

•
Avoid Contact with Acid - Base Substances: Sintered stone furniture should avoid contact with acidic or alkaline chemicals such as vinegar, lemon juice, and bleach. These substances may react chemically with the stone, causing the surface to discolor, corrode, or be damaged.

•Choose Cleaners Carefully: When choosing a cleaner, carefully check the product ingredients to ensure that it will not damage the sintered stone. If you're not sure whether a cleaner is suitable, you can first conduct a small - area test on an inconspicuous part of the furniture and observe whether there is any adverse reaction before using it.