

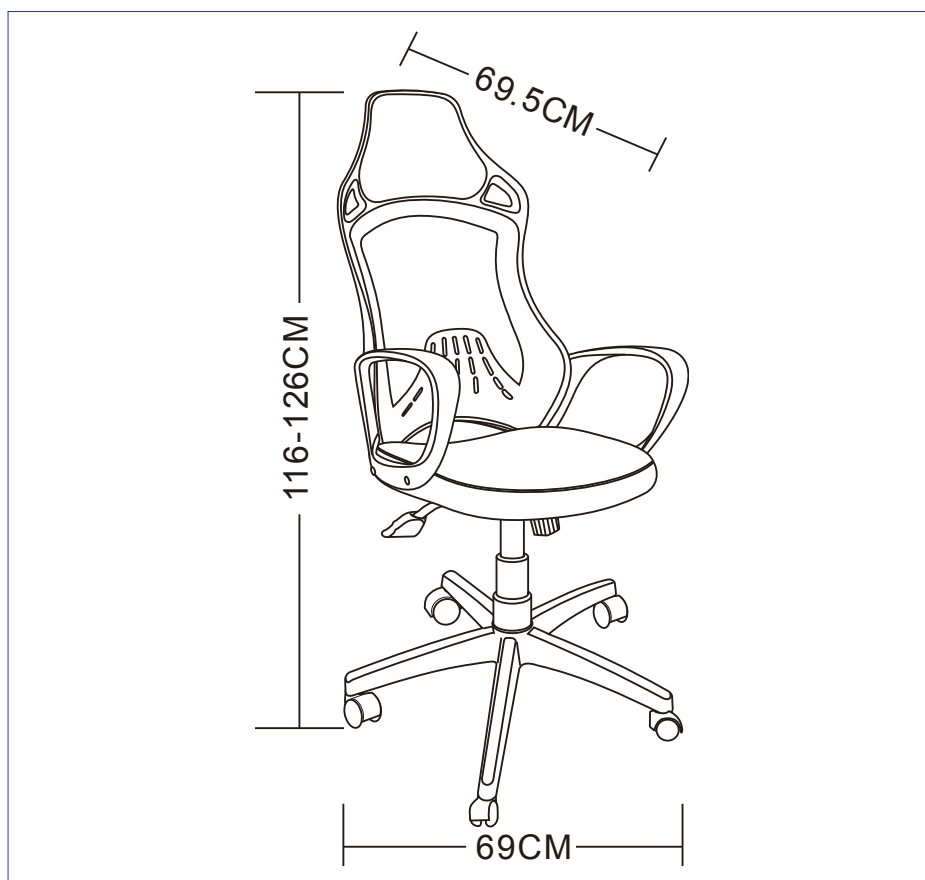


ASSEMBLY INSTRUCTION

Garamond Office Chair

ITEM CODE:62899

Imported by Amart Furniture Pty Ltd, Qld, Brisbane Australia.
For any assistance with assembly or for missing parts please phone
Amart Furniture Ewing Road, Customer Service Free call 1800 351 084



Imported by Amart Furniture Pty Ltd, Qld, Brisbane Australia.

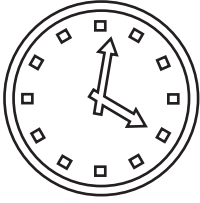

For any assistance with assembly or for missing parts please

phone Amart Furniture Ewing Road, Customer Service Free call 1800 351 084 

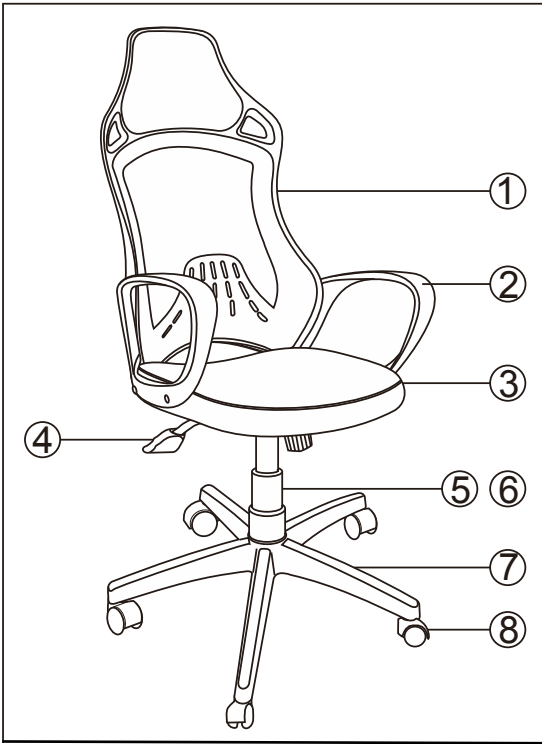
PRE-ASSEMBLY PREPARATION

Before you start :



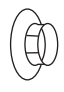



1. Choose a clean, level, spacious assembly area. Avoid hard surfaces that may damage the product.
2. Take care when lifting. Product should be assembled as near as possible to the point of use.
3. Ensure that you have all required contents for complete assembly.
4. Always read the assembly instructions carefully before beginning assembly .
5. Keep all hardware parts and packaging out of reach of small children.
6. Do not over tighten the screws and bolts as this may damage the threads.

	
ALLOW 20 MINUTES	1 PEOPLE REQUIRED

PARTS LIST

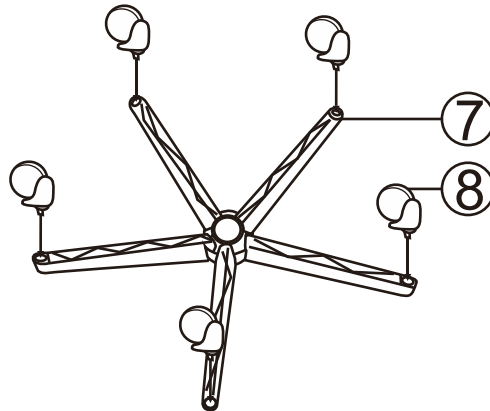


1	BACK
2	ARMREST (L)&(R)
3	SEAT
4	MECHANISM
5	GAS LIFT
6	GAS LIFT COVER
7	BASE
8	CASTOR

<p>A <input type="checkbox"/></p> <p>bolt</p>  <p>M6x16mm 4xPCS</p>	<p>B <input type="checkbox"/></p> <p>bolt</p>  <p>M8x20mm 4xPCS</p>	<p>E <input type="checkbox"/></p> <p>rubber plug</p>  <p>Φ15mm 4XPCS</p>
<p>C <input type="checkbox"/></p> <p>bolt</p>  <p>M6x20mm 4xPCS</p>	<p>D <input type="checkbox"/></p> <p>rubber plug</p>  <p>Φ15mm 4xPCS</p>	<p>F</p>  <p>Allen Key 1pc</p>

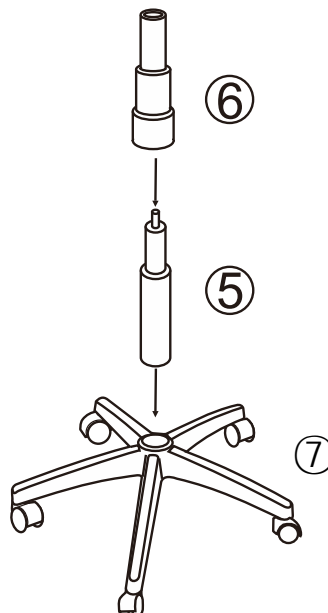
STEP 1:

Insert castor ⑧ to base ⑦.



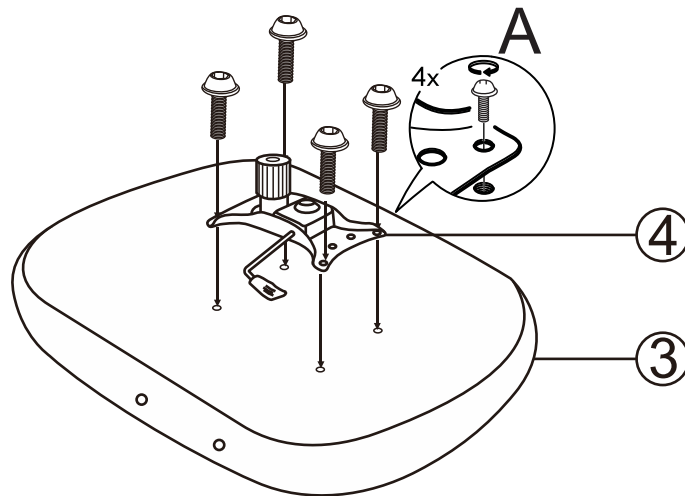
STEP 2:

Put gas lift ⑤ into base ⑦ as instruction shown, then put gas lift cover ⑥ on gas lift ⑤. Remove gas lift cover before assembly.



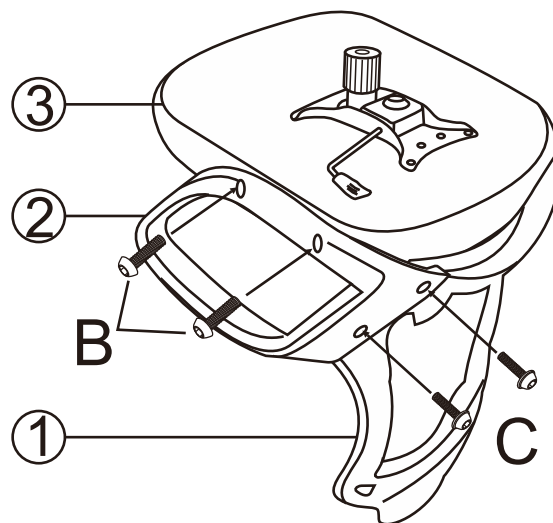
STEP 3:

Attach mechanism ④ to seat ③ using bolt A. Fasten by allen key.



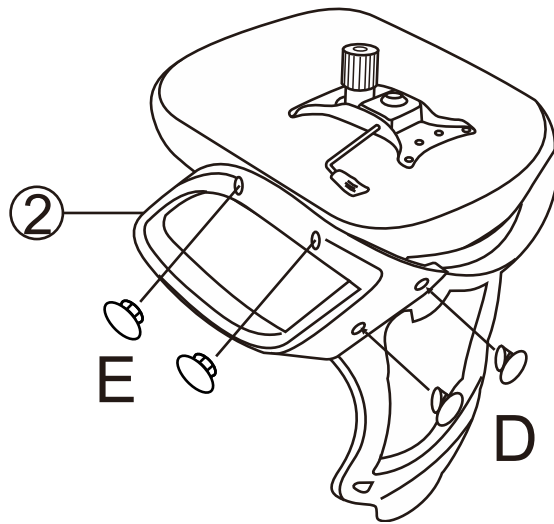
STEP 4:

Attach armrest ② and back ③ using bolt C. Then attach armrest ② and seat ③ using bolt B.



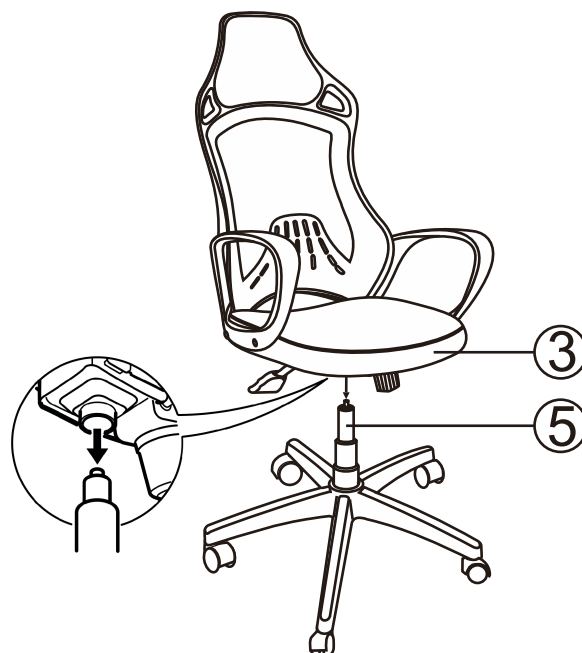
STEP 5:

Put rubber plug D & E into bolt holes.



STEP 6:

Lift seat ③ and put the chair body into gas lift ⑤.



PREPARATION

Before you start :

1. Choose a clean, level, spacious area. Avoid hard surfaces that may damage the product.
2. Take care when lifting. Product should be lifted as far as possible to the point of use.
3. Ensure that you have all required tools for assembly.
4. Always read the assembly instructions at the beginning of assembly.
5. Keep all hardware parts and packaging out of reach of small children.
6. Do not over tighten the screws and bolts. This may damage the threads.

