

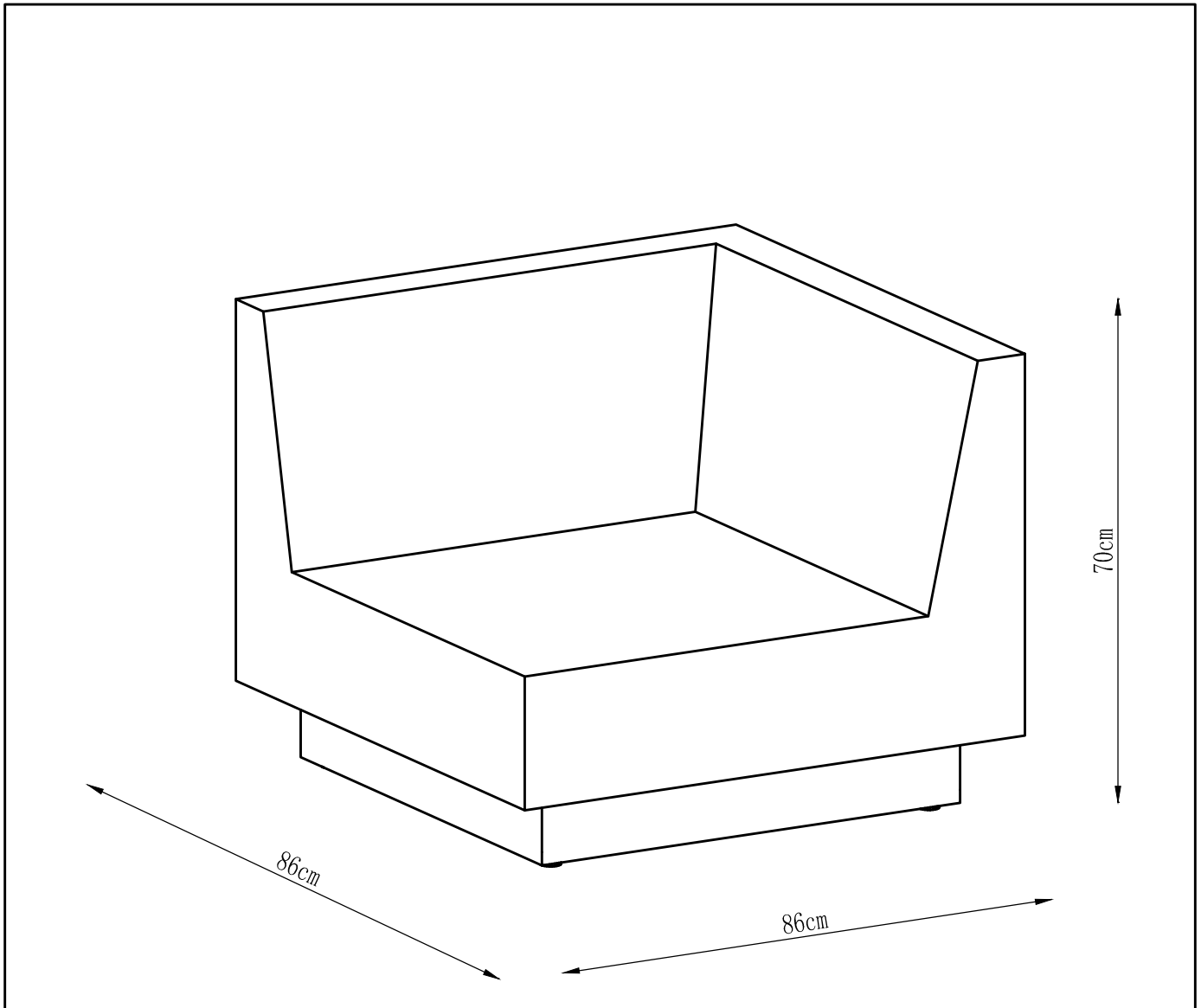


ASSEMBLY INSTRUCTION

SERINA CORNER CHAIR

ITEM CODE - 62740

Imported by Amart Furniture Pty Ltd, Qld, Brisbane Australia .
For any assistance with assembly or for missing parts please phone
Amart Furniture , Customer Service Freecall 1800 009 466


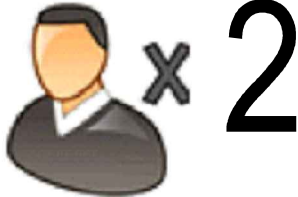



Imported by Amart Furniture Pty Ltd, Qld, Brisbane Australia .
For any assistance with assembly or for missing parts please phone
Amart Furniture , Customer Service Freecall 1800 009 466

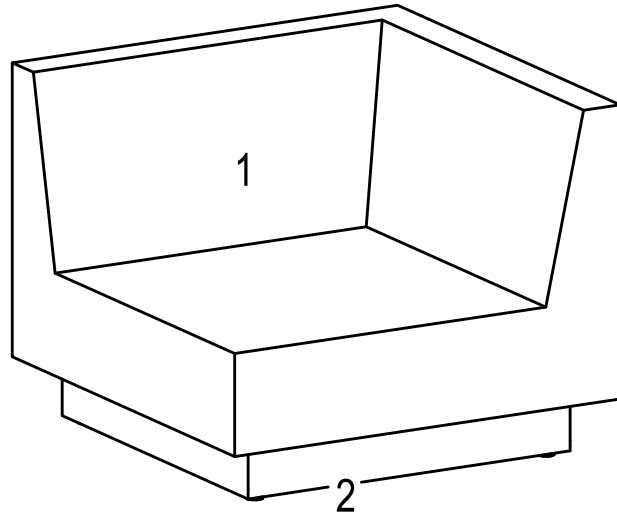
PRE-ASSEMBLY PREPARATION

Before you start:

1. Choose a clean, level, spacious assembly area. Avoid hard surfaces that may damage the product.
2. Take care when lifting. Product should be assembled as near as possible to the point of use.
3. Ensure that you have all required contents for complete assembly.
4. Always read the assembly instructions carefully before beginning assembly.
5. Keep all hardware parts and packaging out of reach of small children.
6. Do not over tighten the screws and bolts as this may damage the threads.

	
ALLOW 20 MINUTES	PEOPLE REQUIRED
	
ADDITIONAL TOOLS REQUIRED	

PARTS LIST

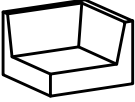



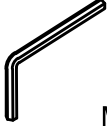


1	Upper part		1	2	Lower part		1
---	------------	--	---	---	------------	--	---

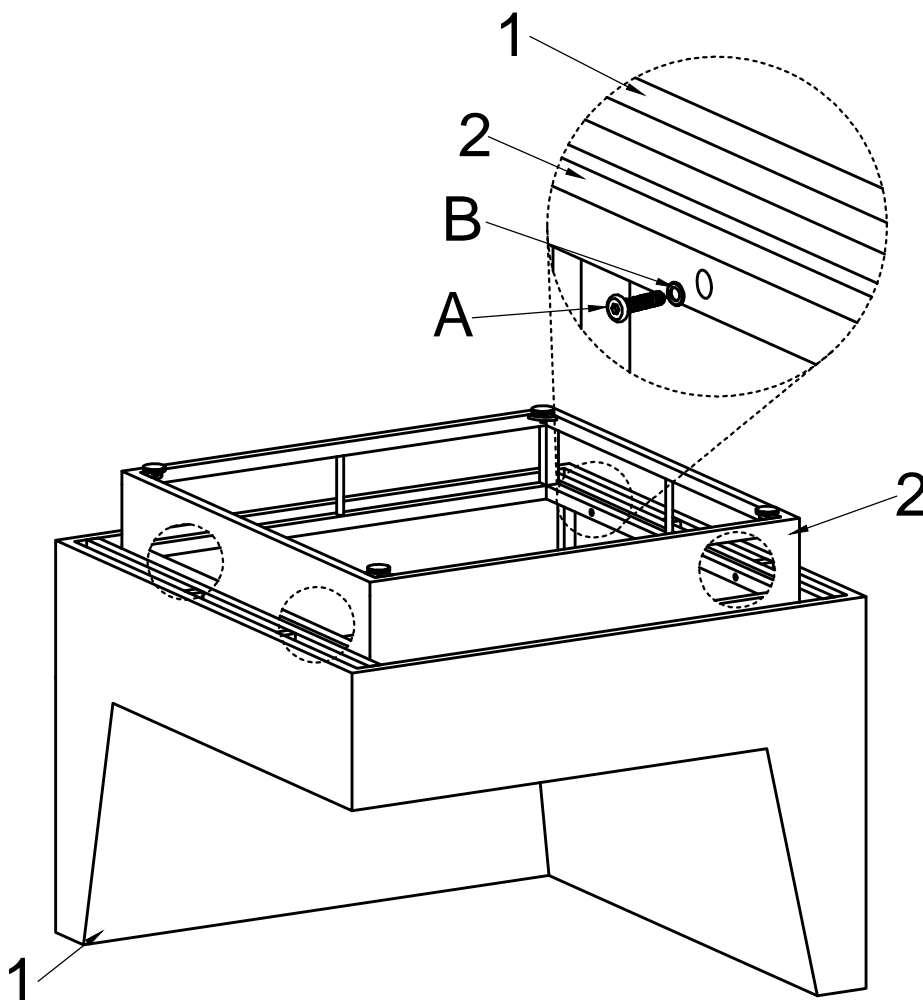
A. Bolt M6*40*4PCS	B. Shim M6*4PCS	C. Hexagon Key M6*1PC	D. Non-slip mat 4PCS
----------------------------------	-------------------------------	-------------------------------------	------------------------------------

Step 1:

ITEMS REQUIRED

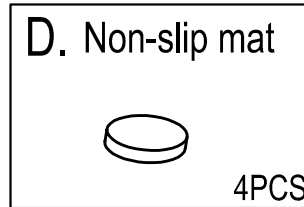
1. Upper part 1PC 	2. Lower part 1PC 	
A. Bolt  M6*40*4PCS	B. Shim  M6*4PCS	C. Hexagon Key  M6*1PC

- Attach lower part (2) to upper part (1) using bolt (A) with shim (B).
- Tighten with hexagon key (C).

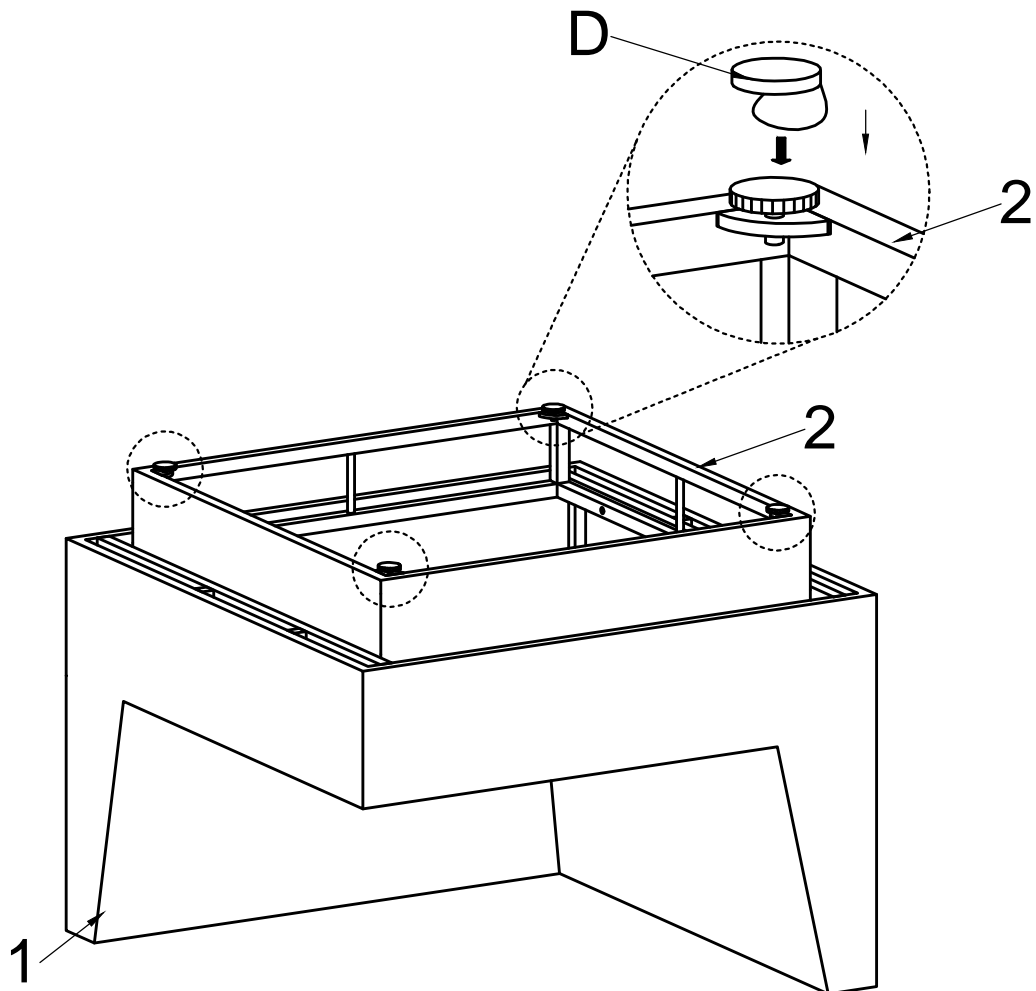


Step 2:

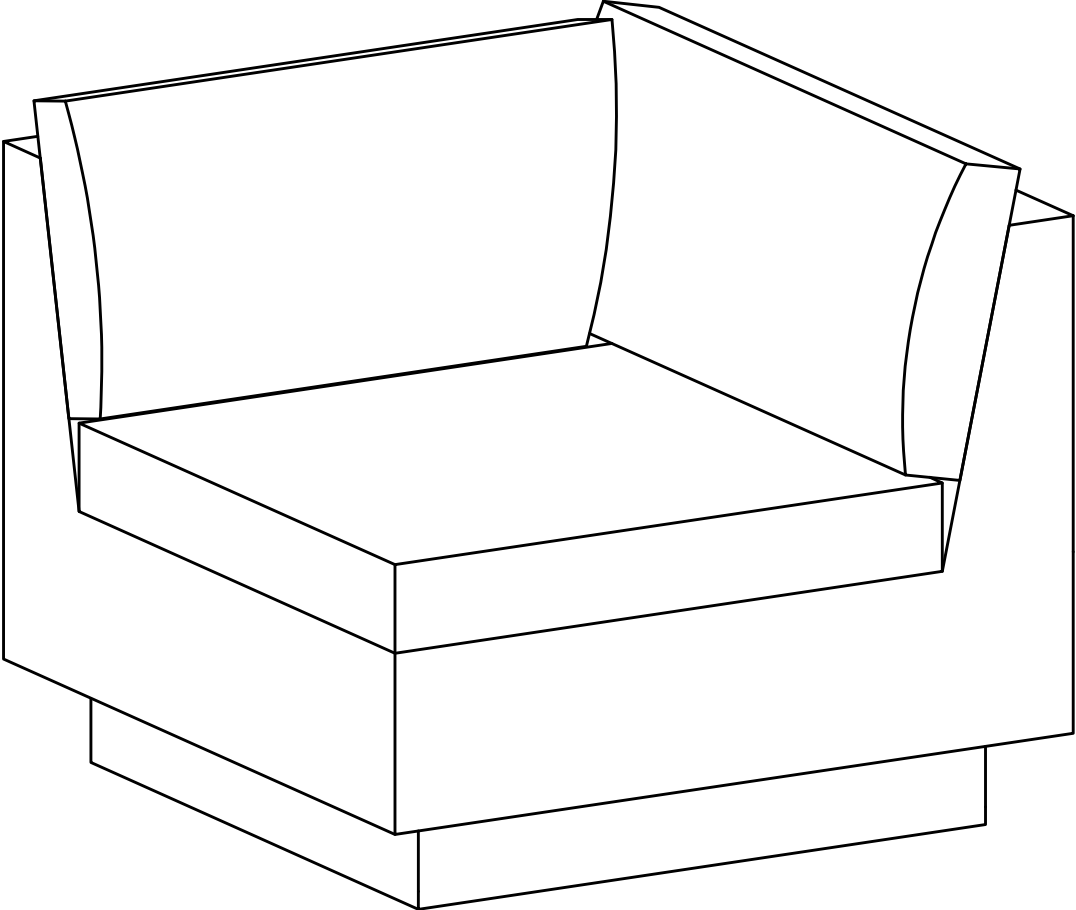
ITEMS REQUIRED



- Attach the non-slip mat (D) under the adjusting knob.



ASSEMBLY IS COMPLETE



Care and maintenance



Cushions

- Direct exposure to the sun's harmful UV rays is likely to cause rapid colour fading to fabrics.
- To ensure product longevity it is recommended outdoor products are not left permanently exposed to the elements.

Wicker

- Regular vacuuming and dusting of items is recommended.
- If weave on wicker becomes lacerated/damaged, Do not pull on as this may cause unravelling.
- Prolonged exposure to the elements may cause colour fading.