



## ASSEMBLY INSTRUCTION

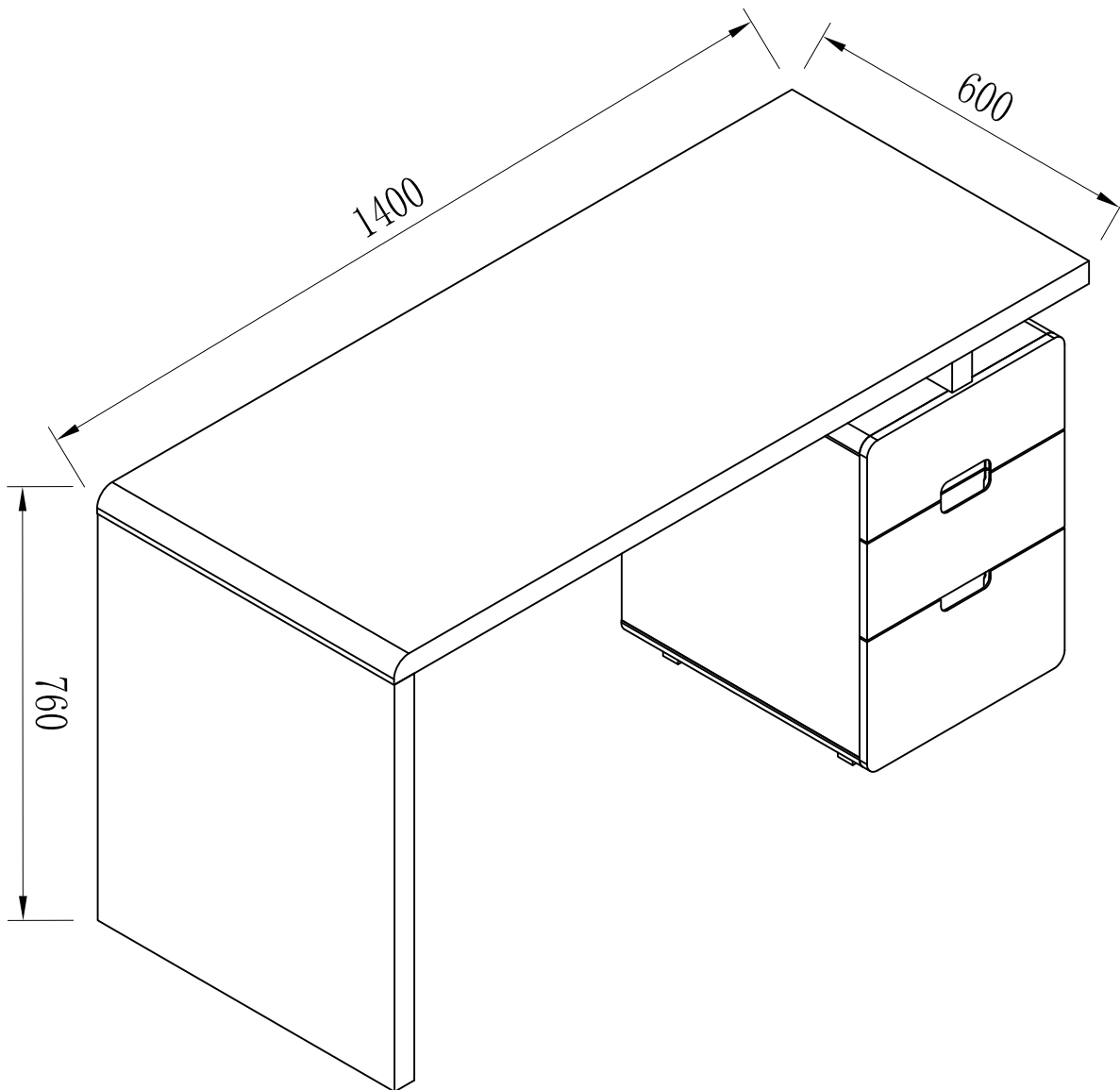
### MABEL DESK

ITEM CODE 65540

Imported by Amart Furniture Pty Ltd. Qld. Brisbane Australia.

For any assistance with assembly or for missing parts please phone

Amart Furniture, Customer Service Free call 1800 351 084



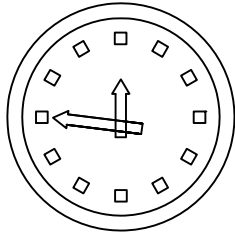
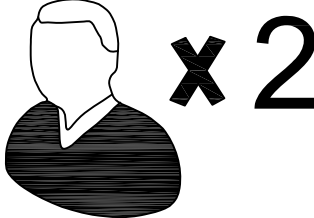

Imported by Amart Furniture Pty Ltd. Qld. Brisbane Australia.

For any assistance with assembly or for missing parts please phone Amart Furniture  
Customer Service Free call 1800 351 084

# PRE-ASSEMBLY PREPARATION

## Before you start:

1. Choose a clean, level, spacious assembly area. Avoid hard surfaces that may damage the product
2. Take care when lifting. Product should be assembled as near as possible to the point of use
3. Ensure that you have all required contents for complete assembly.
4. Always read the assembly instructions carefully before beginning assembly.
5. Keep all hardware parts and packaging out of reach of small children.
6. Do not over tighten the screws and bolts as this may damage the threads

 <p>ALLOW 45 MINUTES</p>	 <p>2 PEOPLE REQUIRED</p>
 <p>⊕</p> <p>ADDITIONAL TOOLS REQUIRED</p>	

 <b>TIPPING WARNING</b> 	
	<p><b>Serious or fatal injuries may occur from furniture toppling over. To help avoid this please follow the below recommendations:</b></p> <ul style="list-style-type: none"><li>• Install the provided "Tipping Kit" as per the instructions</li><li>• Never allow children to climb on or hang off of any part of this product</li><li>• Unless specifically designed to accommodate, do not set TVs or other heavy objects on top of this product</li></ul> <p>If this product has drawers:</p> <ul style="list-style-type: none"><li>• Place the heaviest items in lowest drawers</li><li>• Do not open more than 1 drawer at a time as this may cause the product to become unbalanced</li><li>• Do not tamper with or remove any drawer interlocking/running system</li></ul> <p><b>Note: The use of the provided "Tipping Kit" may reduce but not necessarily eliminate the risk of furniture toppling over. Please use this product with caution.</b></p> <p><i>This is a permanent label. Do not attempt to remove!</i></p>

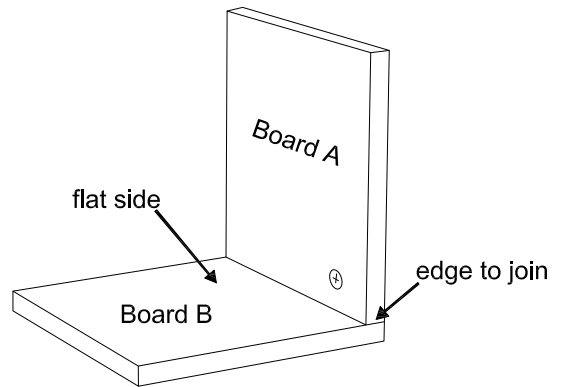
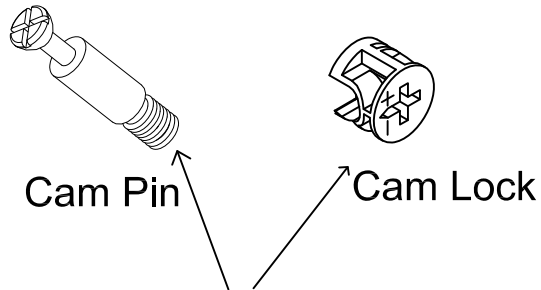
# CAM Lock and Pins

## step 1

### HOW TO USE CAM LOCK FASTENERS

To assemble this product hardware called Cam Lock Fasteners are used. The below is information on how these work.

Cam Locks are fasteners used to join two boards together, usually the edge of one board(A) to the flat side of another board(B)



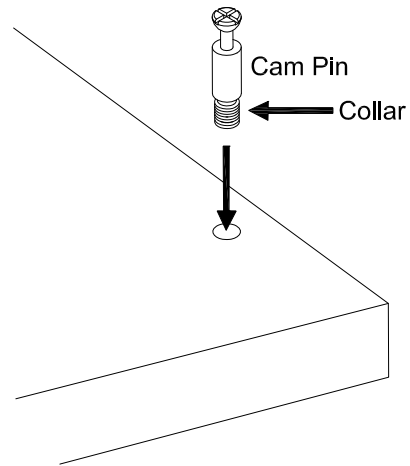
Ensure that you use the correct images that are representative of the hardware used in the product

## step 2

### To use Cam Lock Fasteners

The Cam Pin is inserted into the flat side of a board, it is important that:

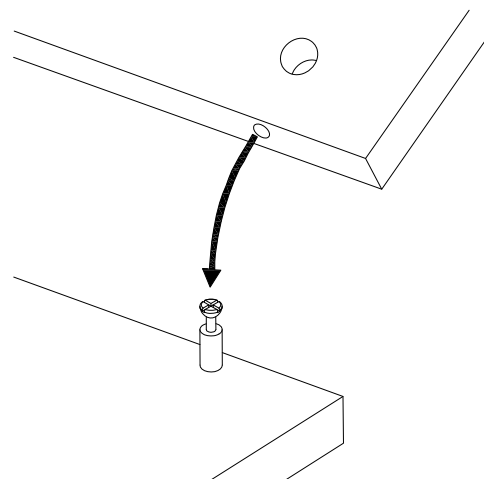
- \* The cam pin is kept vertical and is not put in on an angle
- \* Cam Pin is inserted up to the collar
  - \* Too far and it wont catch the Cam Lock (Do not Over Tighten)
  - \* Not enough and the resulting product wont be stable



## step 3

### To use Cam Lock Fasteners

Now fit the hole in the edge of the joining board over the Cam Pin

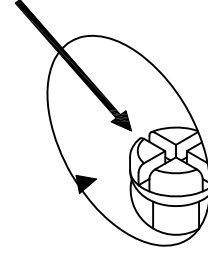


## step 4

### To use Cam Lock Fasteners

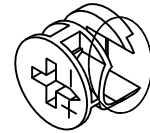
The Head of the Cam Pin will be visible in the large hole on the side of the joining board

head of the Cam Pin



### To use Cam Lock Fasteners

Notice the Cam Lock has a "C" Shaped back An Arrow or +/- signs on the front, indicated the open section on the back of the Cam Pin



Cam Lock

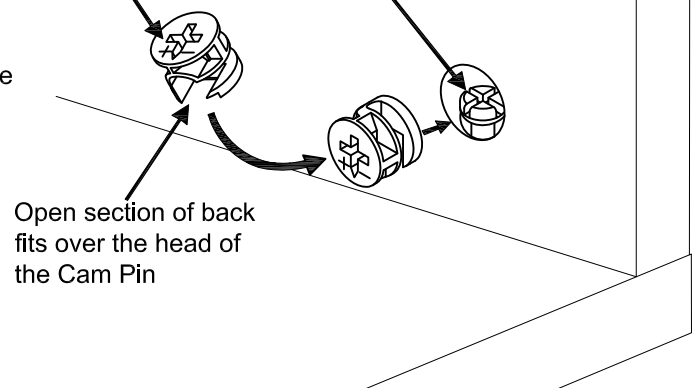
## step 5

### To use Cam Lock Fasteners

In sert the Cam Lock into the large hole so the opening of the "C" fits over the head of the Cam Pin. You must ensure that the Cam Lock is pushed to the bottom of the hole to catch the top of the Cam Pin

Arrow or +/- signs

head of the Cam Pin

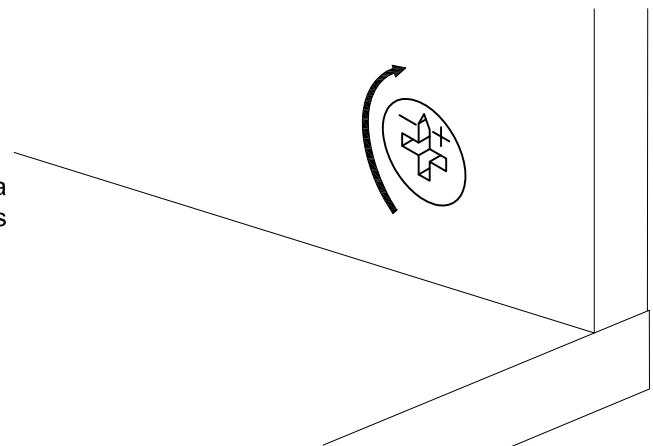


Open section of back fits over the head of the Cam Pin

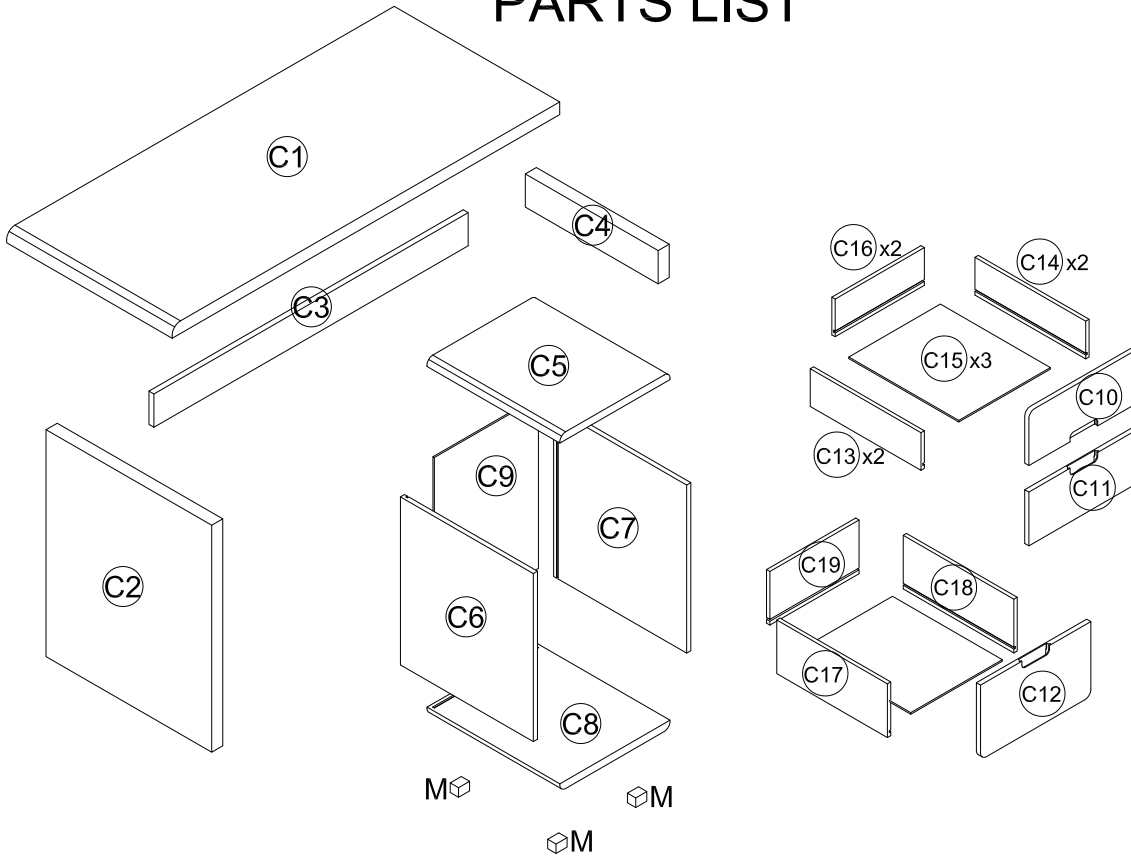
## step 6

### To use Cam Lock Fasteners


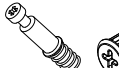
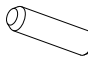



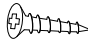


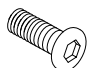
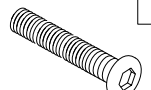

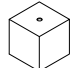


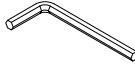
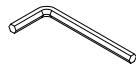
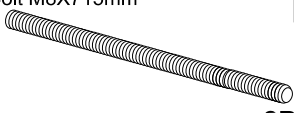
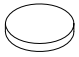
Use a flat screwdriver to turn the Cam Lock clockwise one half a turn so it Locks onto the head of the Cam Pin. Turn only until it is snug-over-tightening could cause the Cam to bend or break. If it will not turn the full amount, turn the Cam Pin out (counter-clockwise) one full turn, and try the Cam Lock again.



# PARTS LIST



C1	Top Panel	C11	Small Drawer Front Panel
C2	Left Side Panel	C12	Big Drawer Front Panel
C3	Back Rail Panel	C13	Small Drawer Left Side Panel
C4	Support Panel	C14	Small Drawer Right Side Panel
C5	Chest Top Panel	C15	Drawer Bottom Panel
C6	Chest Left Side Panel	C16	Small Drawer Back Panel
C7	Chest Right Side Panel	C17	Big Drawer Left Side Panel
C8	Chest Bottom Panel	C18	Big Drawer Right Side Panel
C9	Chest Back Panel	C19	Big Drawer Back Panel
C10	Small Drawer Front Panel		

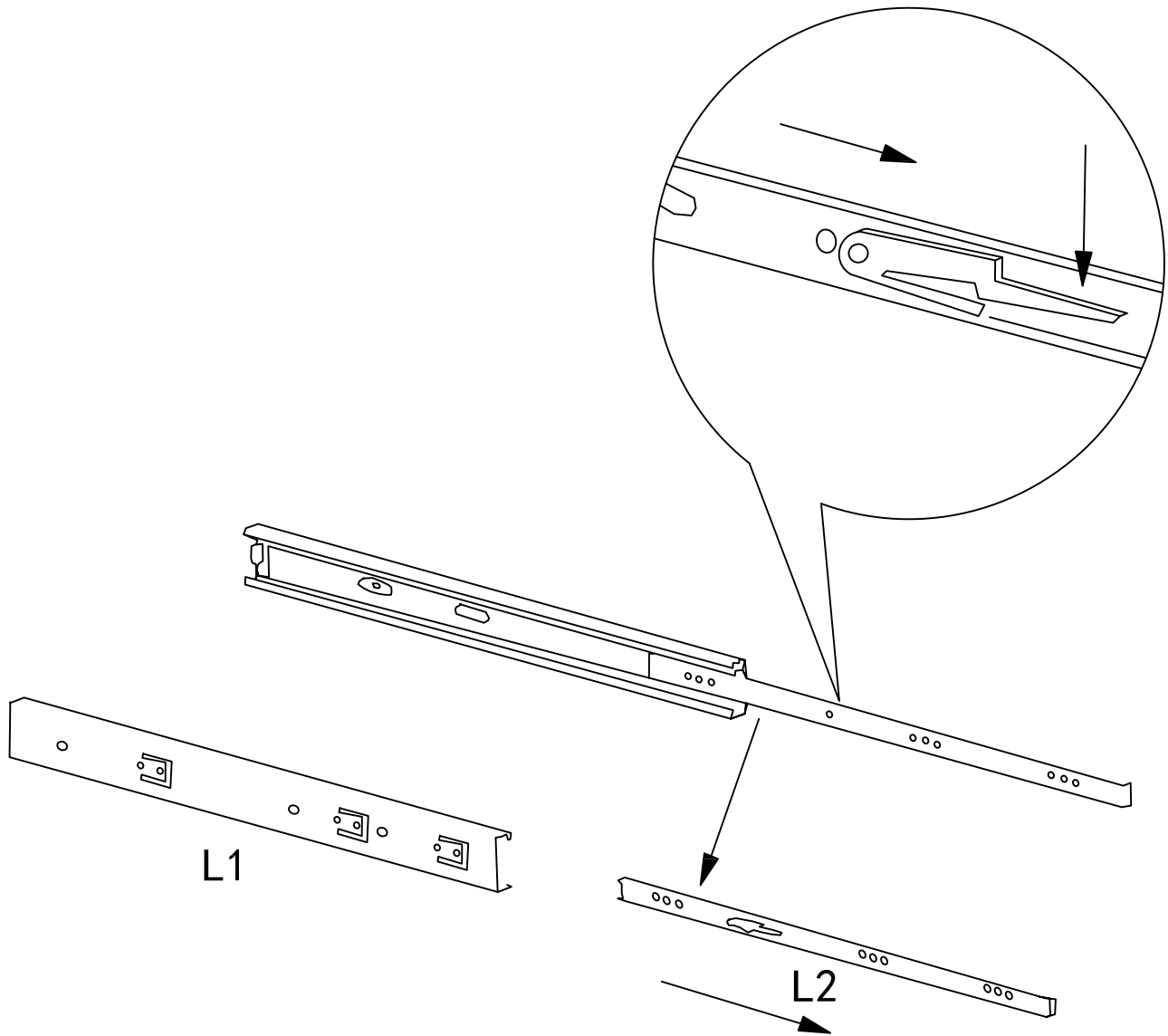
A. Cam lock and Cam pin Ø15X35  16PCS	B. Cam lock and Cam pin Ø12X27  12PCS	C. Dowel Ø8X30  16PCS	D. Bolt M6x15  4PCS	E. Screw Ø3.5X12  36PCS	F. Screw Ø3.5X30  12PCS	G. Screw Ø3X18  4PCS
H. Connector  4PCS	I. T Nut  2PCS	J. Bolt M8x40  2PCS	K. Bolt M8x100  2PCS	L. Runner 400mm  6PCS	M. Leg  4PCS	N. Cover Ø15  8PCS
O. Wall Anchor  1PCE	P. Hex Key 4MM  1PCE	Q. Hex Key 5MM  1PC	R. Bolt M8X715mm  2PCS	S. Floor Protector Ø35x5mm  2PCS		

**65540**

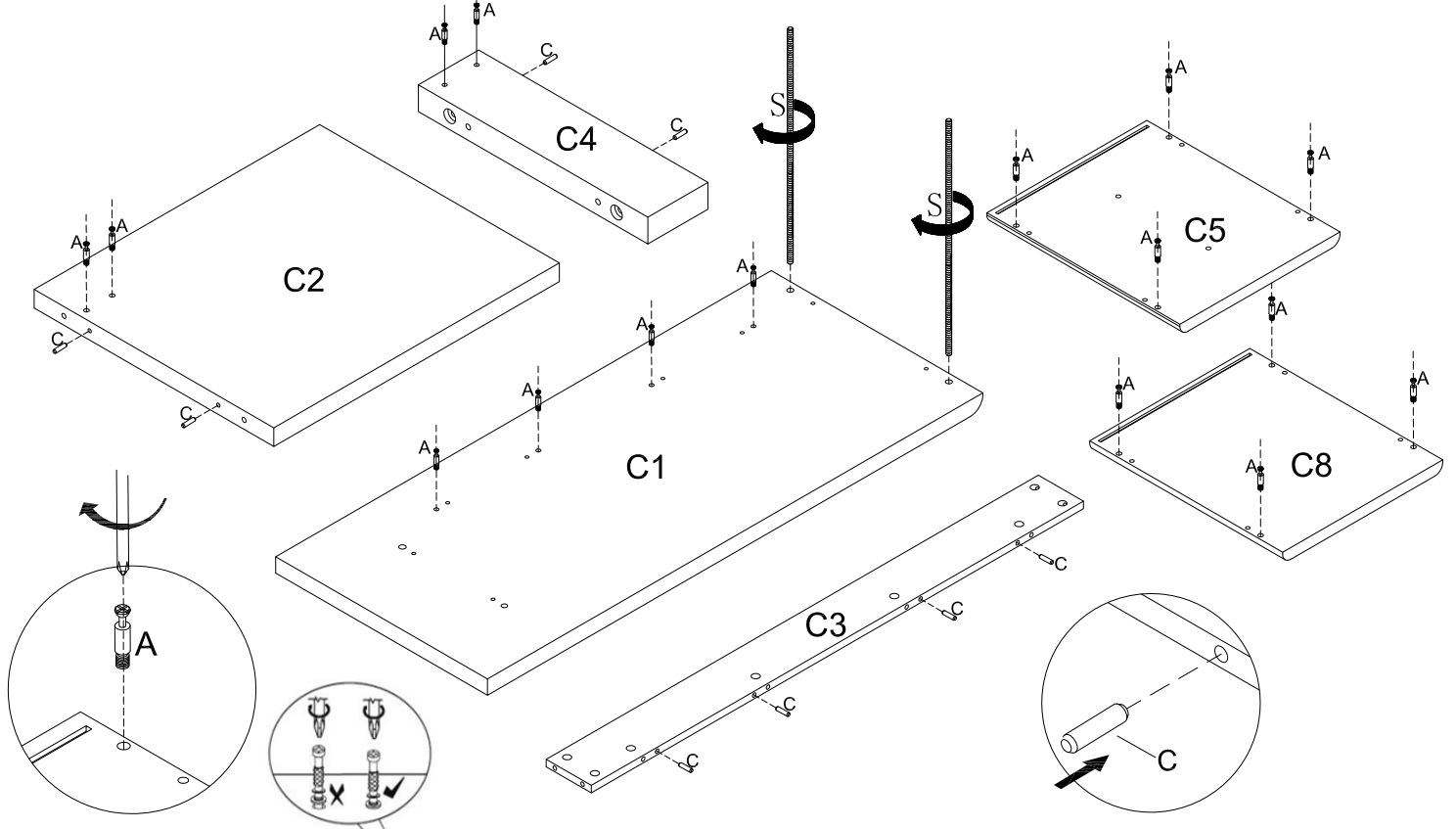
**STEP 1:**

Runner slide separately ( $L=L1+L2$ )

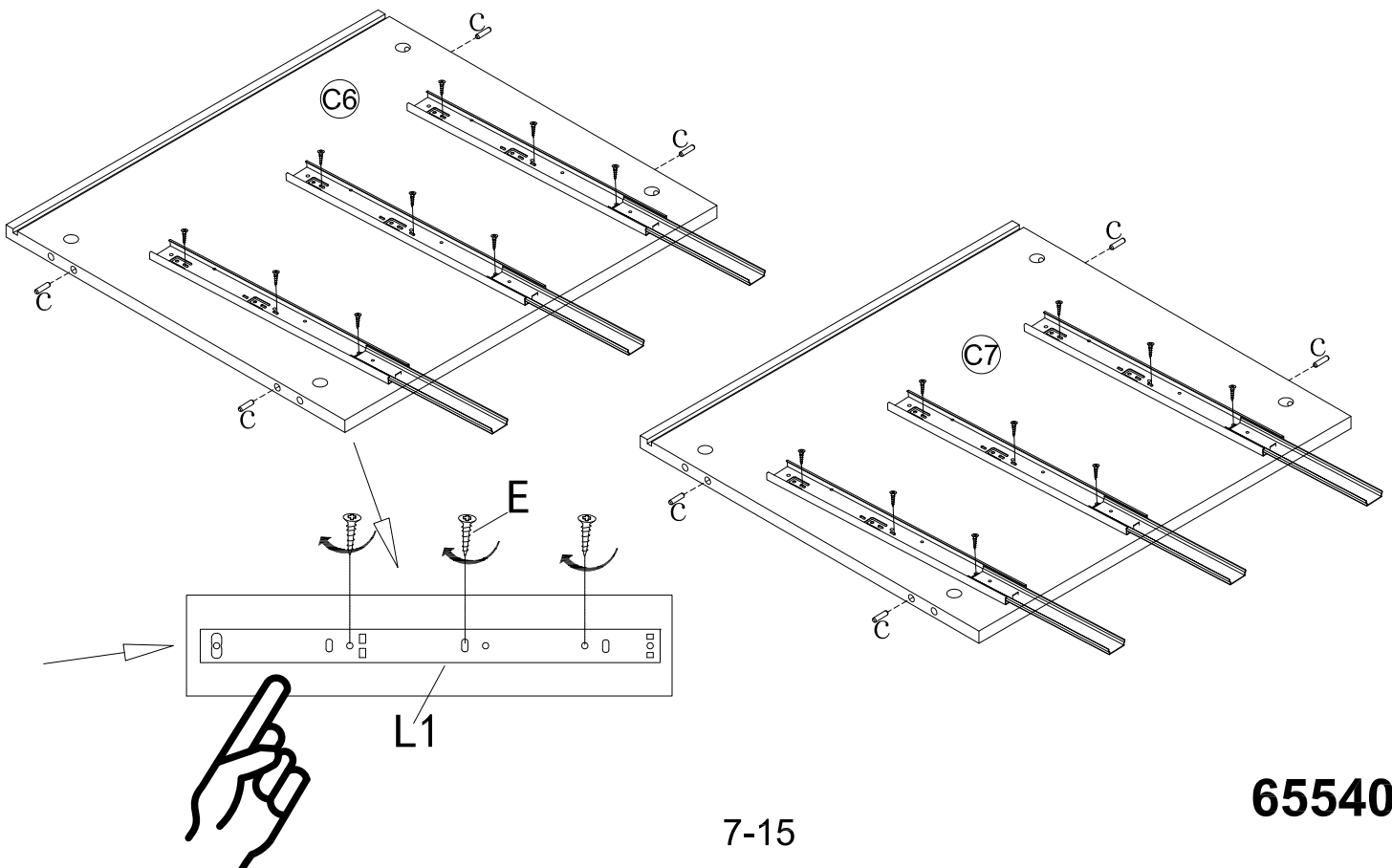
Carefully pull out the runner slide ( $L2$ ) and press plastic clip to fully separate runner slide as diagram shown



**STEP 2:** Use a Phillips Head Screw driver to insert the Cam Pin (A) to the Top Panel (C1) and Left Side Panel (C2) and Support Panel (C4) and Chest Top Panel (C5) and Chest Bottom Panel (C8). Insert the Dowel (C) to the Left Side Panel (C2) and Support Panel (C4) and Back Rail Panel (C3). Insert the Bolt (S) to the Top Panel (C1).

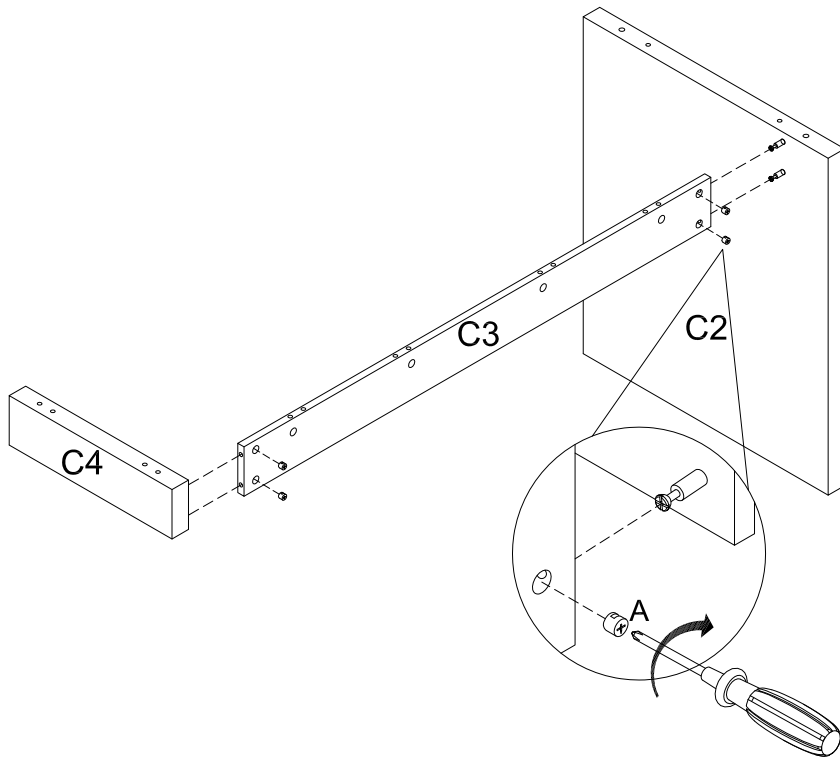


**STEP 3:** Tighten the Runner (L1) to the Chest Right Side Panel (C7) and Chest Left Side Panel (C6) with Screw (E). Insert the Dowel (C) to the Chest Right Side Panel (C7) and Chest Left Side Panel (C6).

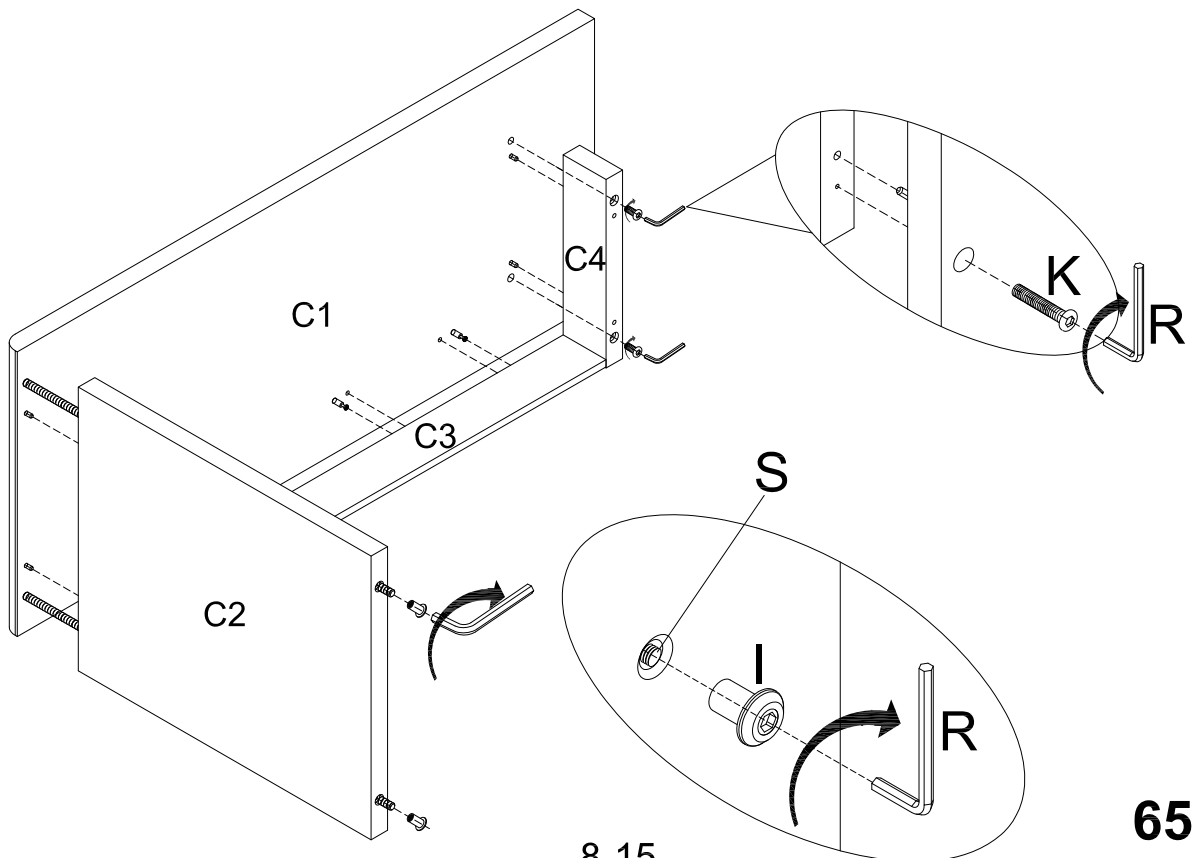


**65540**

STEP 4: Assemble the Back Rail Panel (C3) to the Left Side Panel (C2) and Support Panel (C4). Use a Phillips Head Screwdriver to turn the Cam Lock (A) to lock onto the head of Cam Pin (A). and then place the cover(N) on the top of the Cam lock(A)



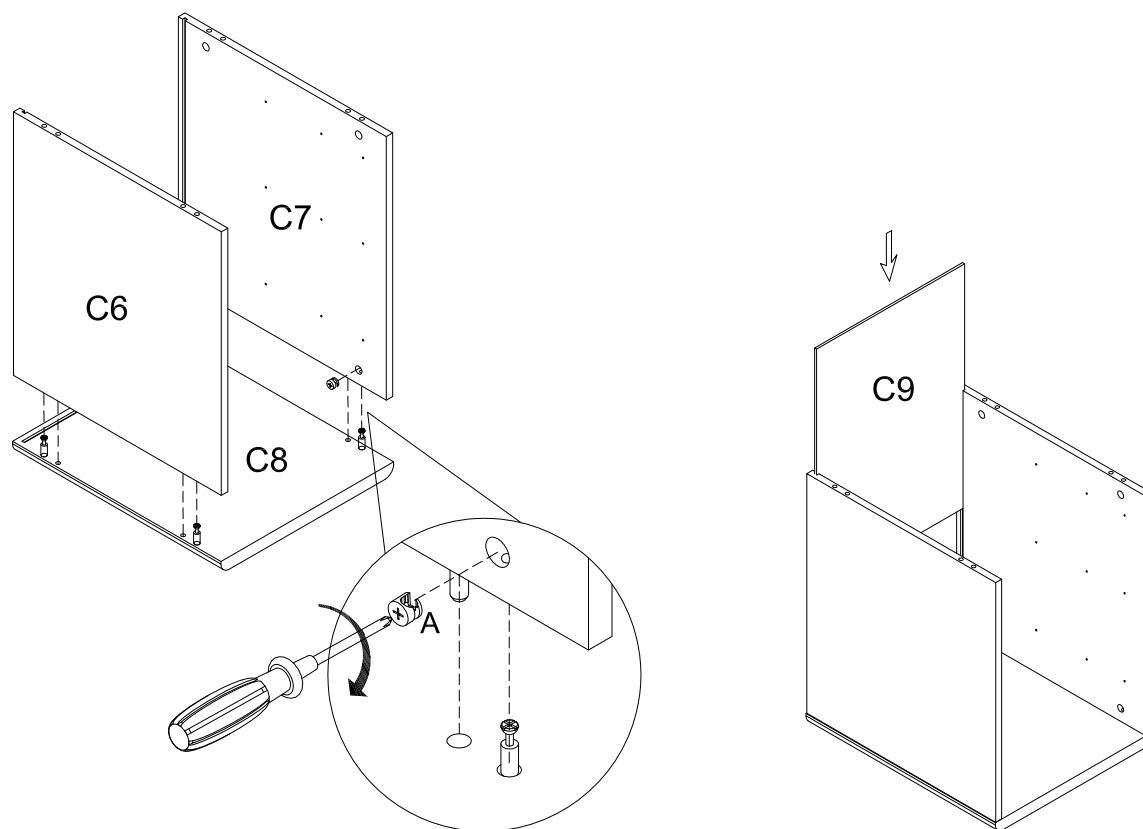
STEP 5: Use a Hex Key (R) to Assemble Back Rail Panel (C3) and Left Side Panel (C2) and Support Panel (C4) to the Top Panel (C1) with Bolt (K) and T Nut (I).



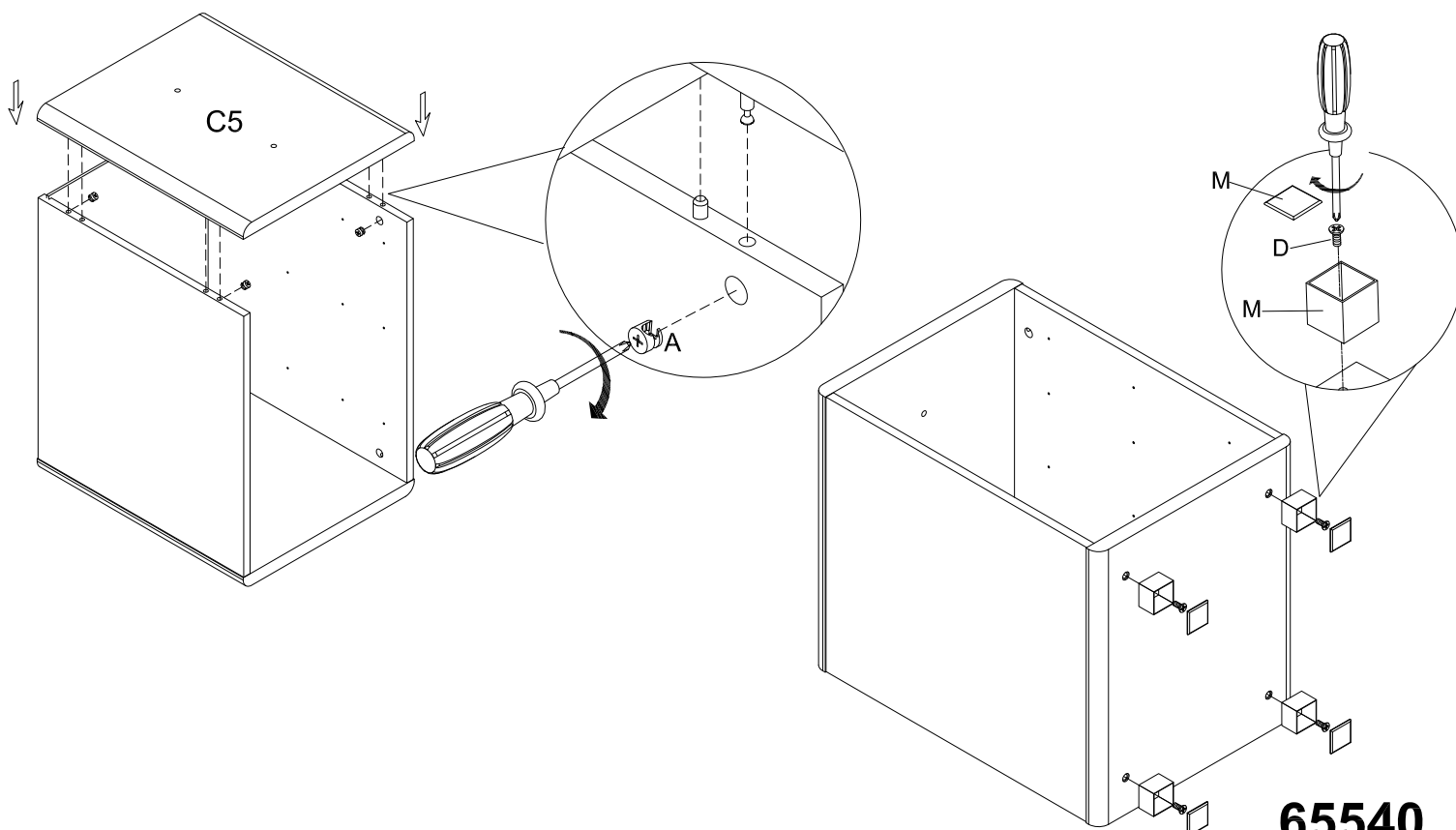
65540



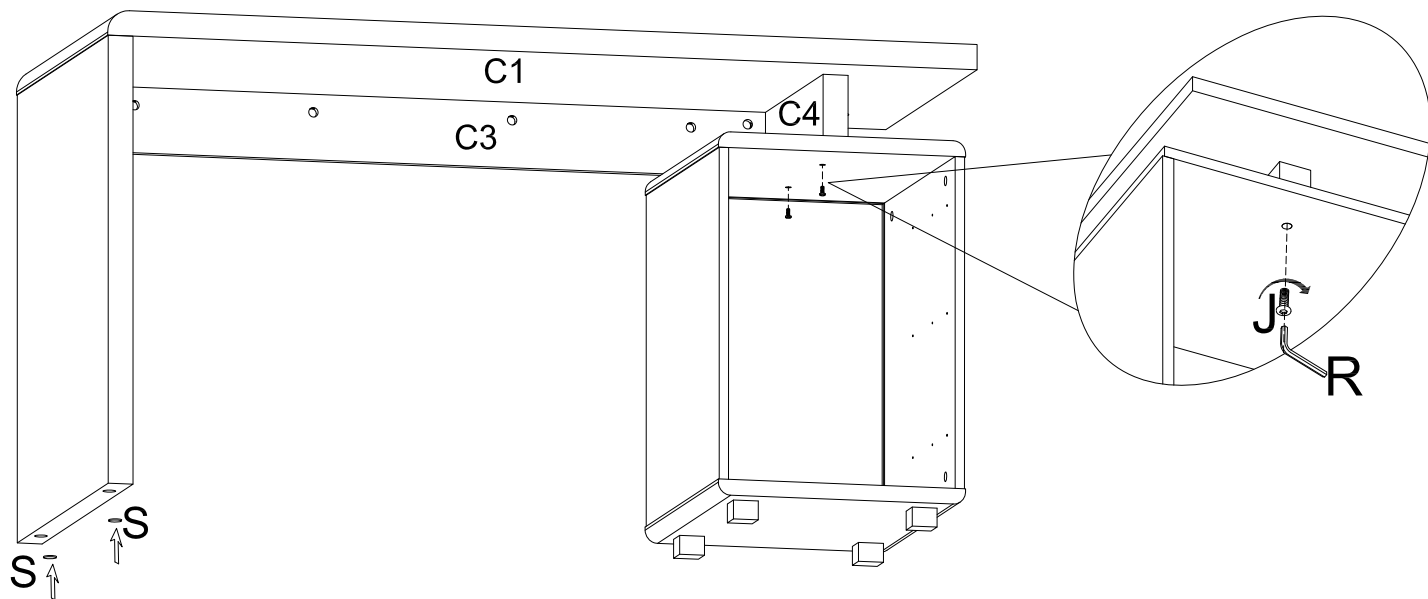
**STEP 6:** Insert the Chest Left Side Panel (C6) and Chest Right Side Panel (C7) to the Chest Bottom Panel (C8), Use a Phillips Head Screwdriver to turn the Cam Lock(A) to lock onto the head of Cam Pin(A). Insert the Chest Back Panel (C9) to the Chest Left Side Panel (C6) and Chest Right Side Panel (C7) and Chest Bottom Panel (C8).



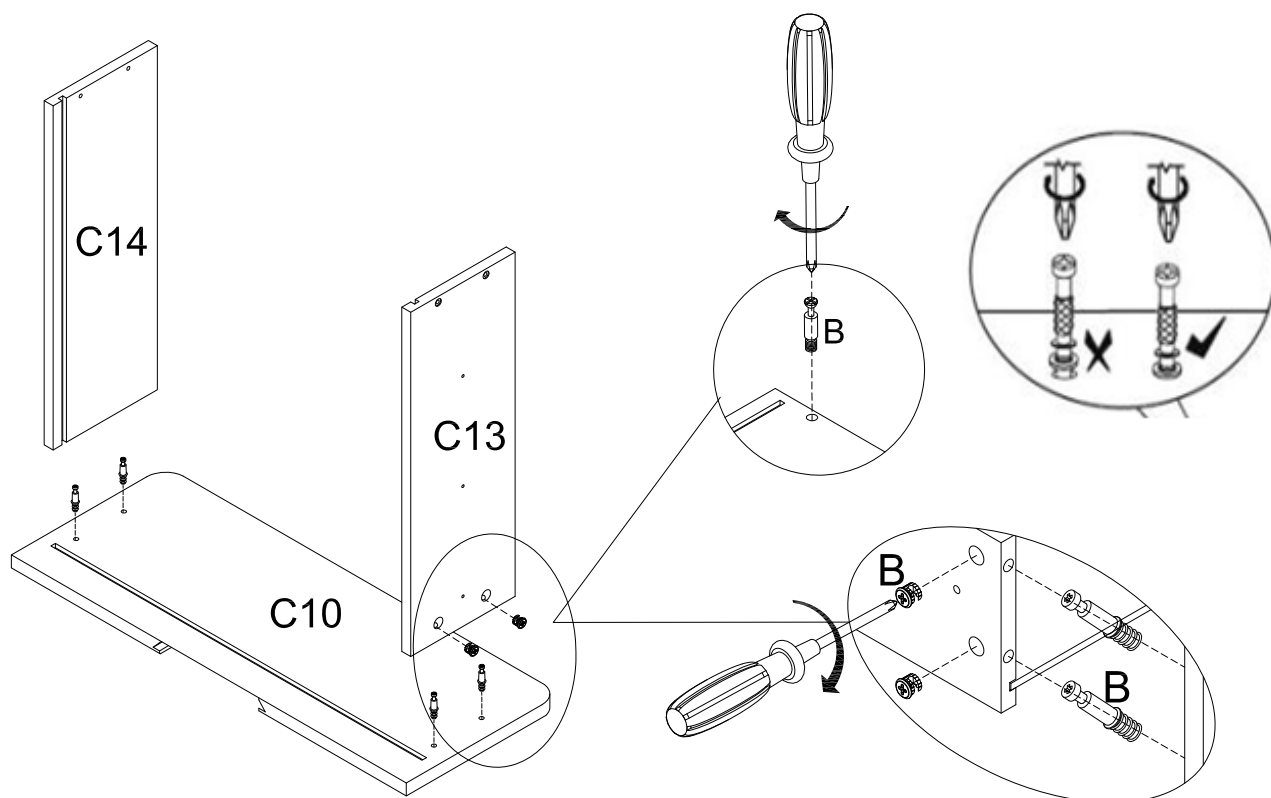
**STEP 7:** Assemble the Chest Top Panel (C5) to the Chest Left Side Panel (C6) and Chest Right Side Panel (C7), Use a Phillips Head Screwdriver to turn the Cam Lock(A) to lock onto the head of Cam Pin(A). Use a Phillips Head Screwdriver to tighten the Leg (M) to the Chest Bottom Panel (C8) with Bolt (D), then Cover the Cap (M) to the Leg (M).



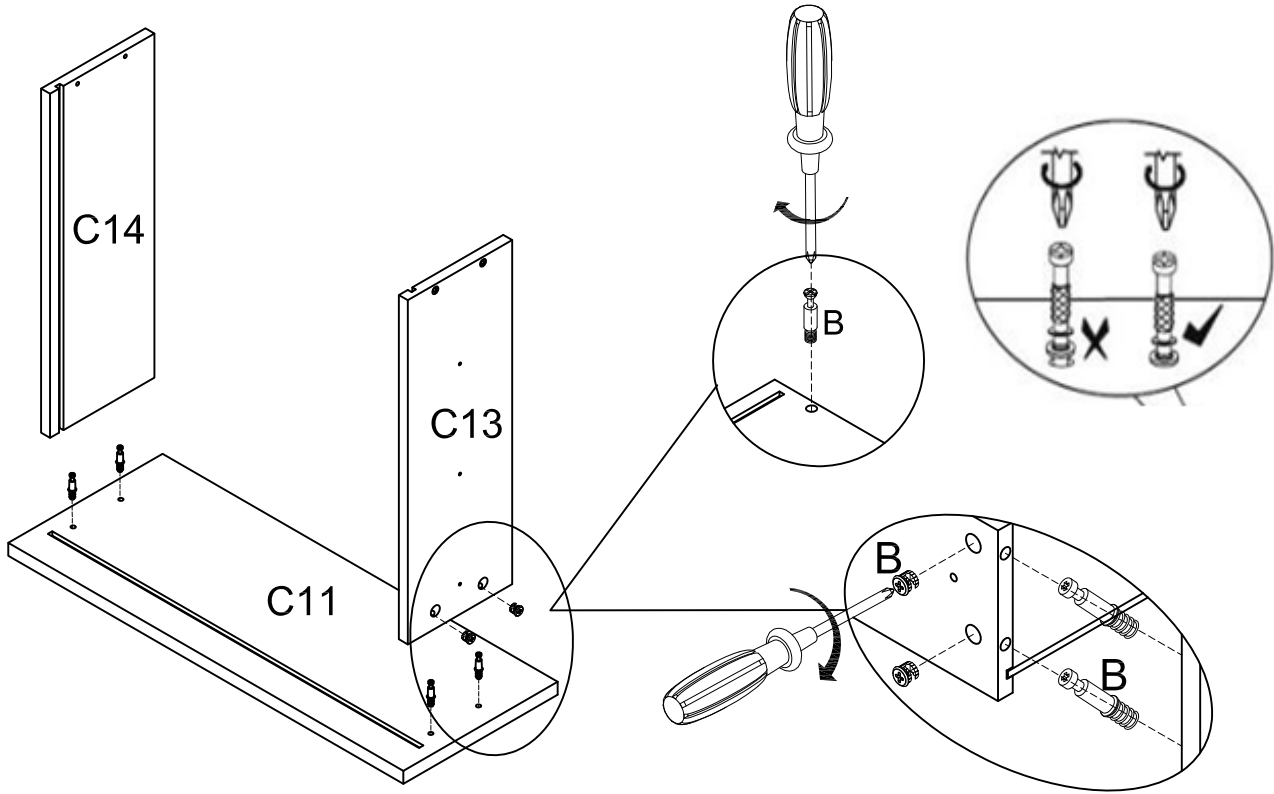
STEP 8: Use a Hex Key (R) to assemble the Chest Top Panel (C5) to the Top Panel (C1) through Support Panel (C4) with Bolt (J). Place the Floor Protectors (S) to the Left side Panel (C2).



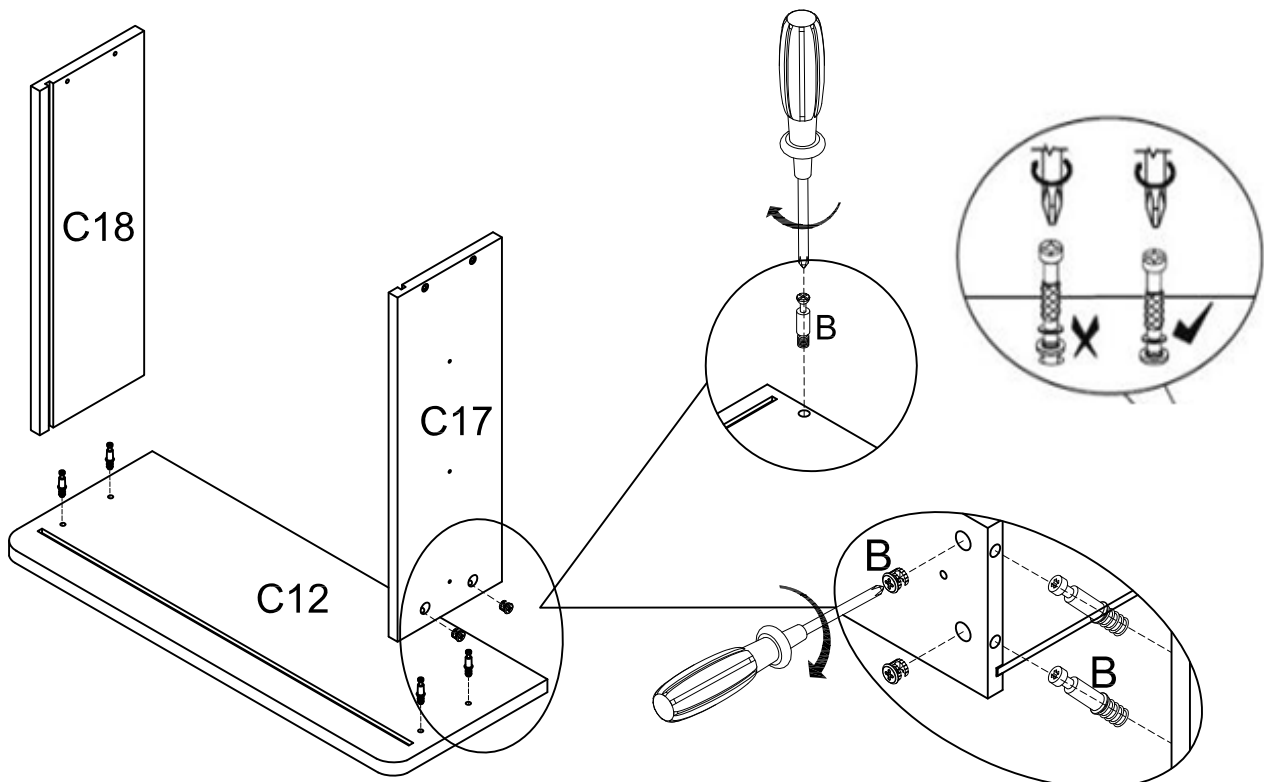
STEP 9: Use a Phillips Head Screwdriver to assemble the Cam Pin (B) to the Small Drawer Front Panel (C10), Assemble the Small Drawer Left Side Panel (C13) and Small Drawer Right Side Panel (C14) to the small Drawer Front Panel (C10), Use a Phillips Head Screwdriver to turn the Cam Lock (B) to lock onto the head of Cam Pin (B).



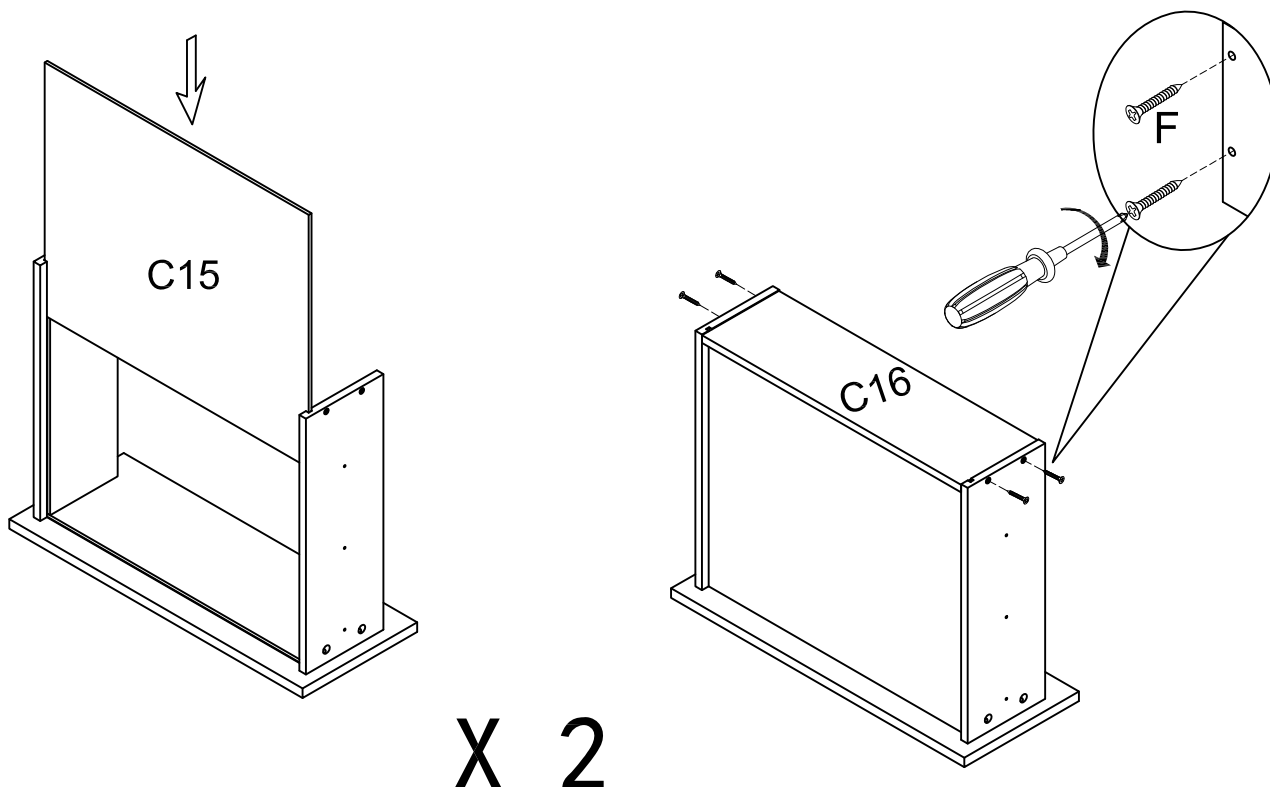
STEP 10: Use a Phillips Head Screwdriver to assemble the Cam Pin (B) to the Small Drawer Front Panel (11), Assemble the Small Drawer Left Side Panel (C13) and Small Drawer Right Side Panel (C14) to the small Drawer Front Panel (C11), Use a Phillips Head Screwdriver to turn the Cam Lock (B) to lock onto the head of Cam Pin (B).



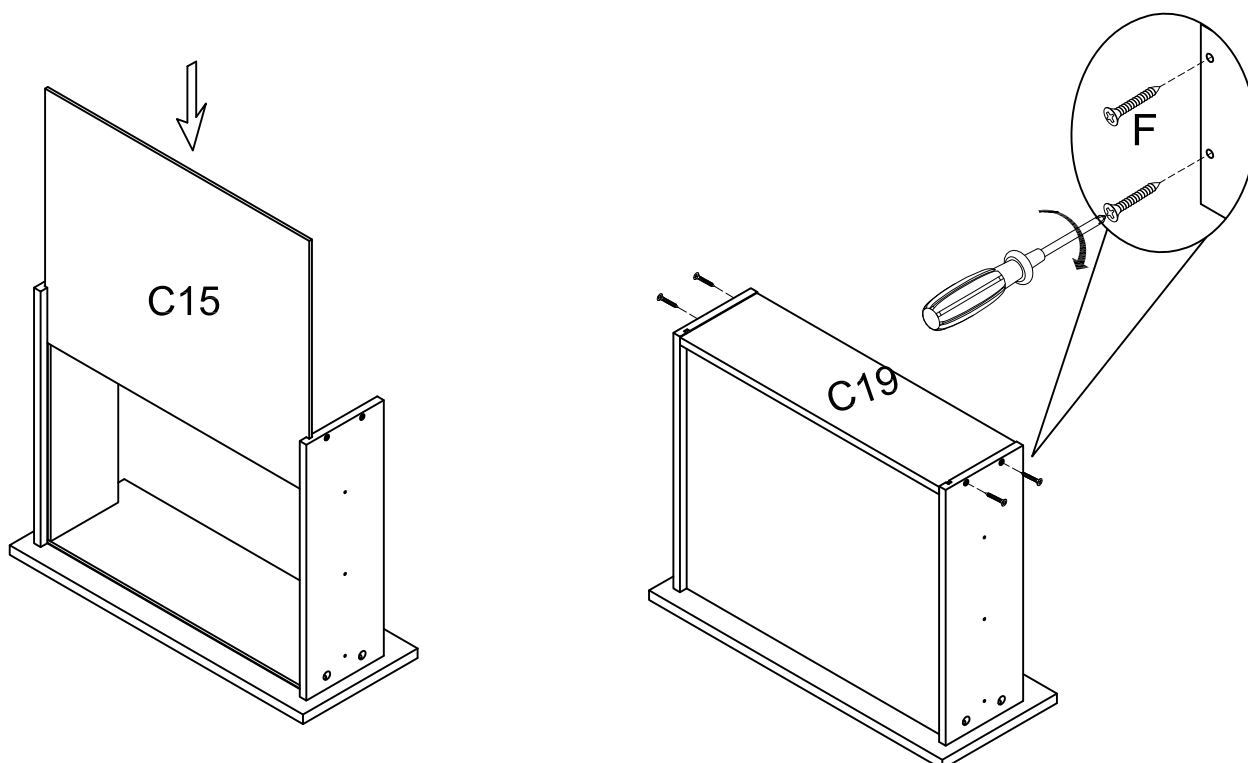
STEP 11: Use a Phillips Head Screwdriver to assemble the Cam Pin (B) to the Big Drawer Front Panel (12), Assemble the Big Drawer Left Side Panel (C17) and Big Drawer Right Side Panel (C18) to the Big Drawer Front Panel (C12), Use a Phillips Head Screwdriver to turn the Cam Lock (B) to lock onto the head of Cam Pin (B).



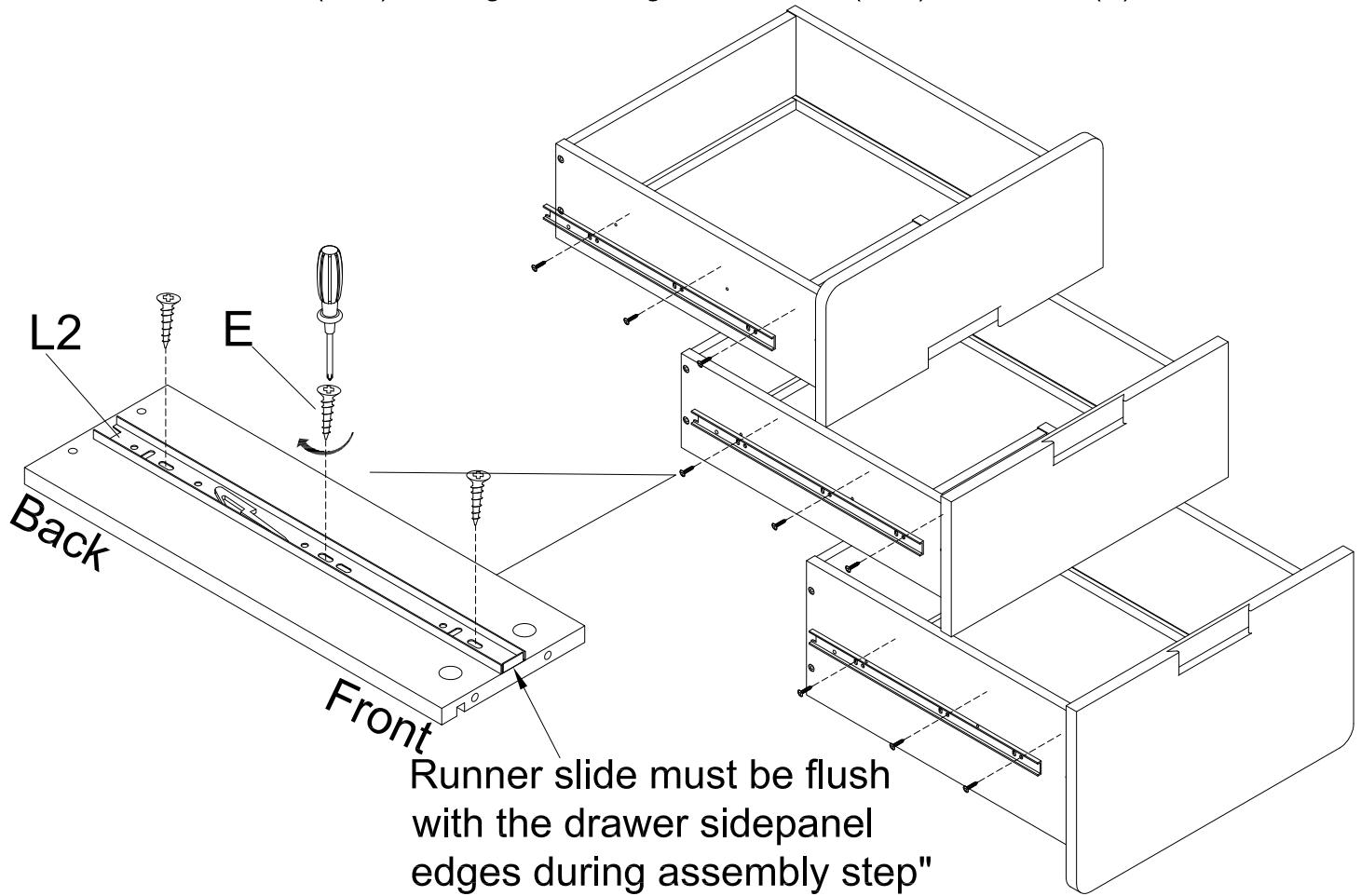
STEP 12: Insert the Drawer Bottom Panel (C15) to the Small Drawer Left Side Panel (C13) and Small Drawer Right Side Panel (C14) and Small Drawer Front Panel (C10,C11). Use a Phillips Head Screwdriver to tighten Small Drawer Back Panel ( C16) to the Small Drawer Left Side Panel (C13) and Small Drawer Right Side Panel (C14) with Screw (F).



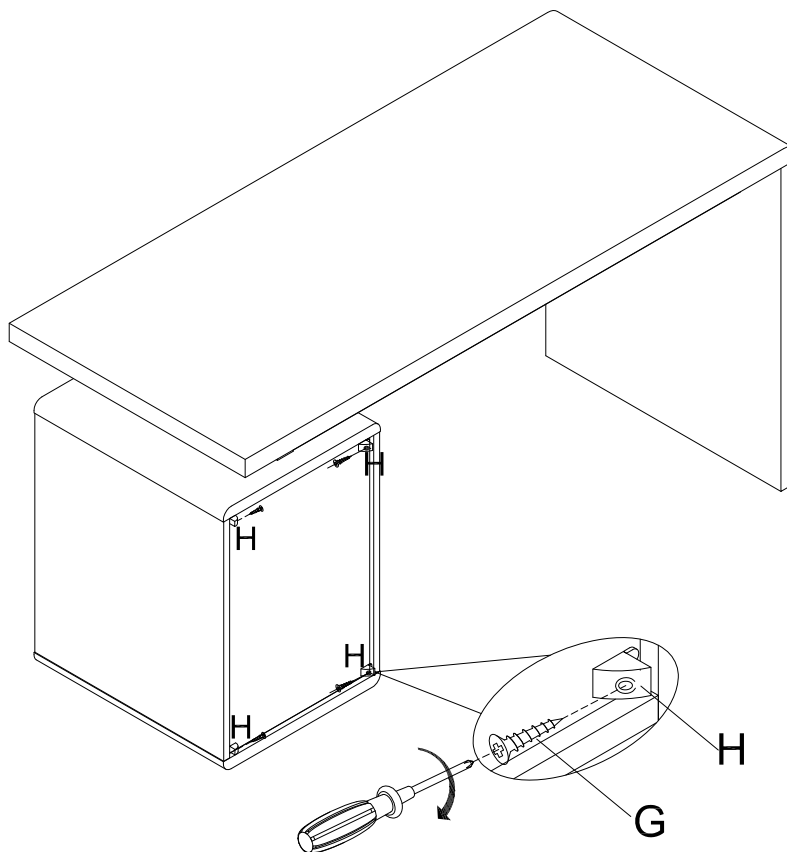
STEP 13: Insert the Drawer Bottom Panel (C15) to the Big Drawer Left Side Panel (C17) and Big Drawer Right Side Panel (C18) and Big Drawer Front Panel (C12). Use a Phillips Head Screwdriver to tighten Big Drawer Back Panel ( C19) to the Big Drawer Left Side Panel (C17) and Big Drawer Right Side Panel (C18) with Screw (F).



STEP 14: Use a Phillips Head Screwdriver to tighten the Runner (L2) to the Small Drawer Left Side Panel (C13) and Small Drawer Right Side Panel (C14) and Big Drawer Left Side Panel (C17) and Big Drawer Right Side Panel (C18) with Screw (E)



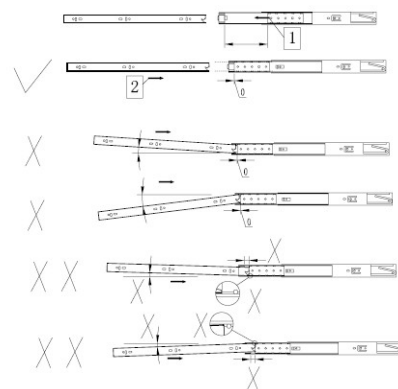
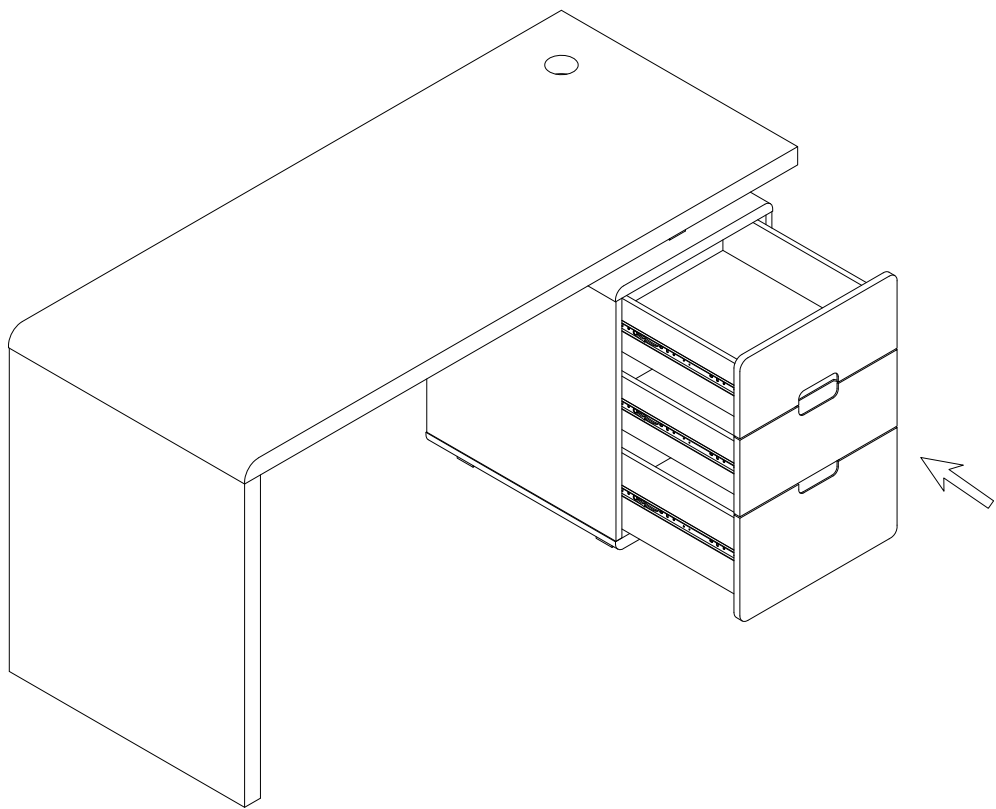
STEP 15: Use a Phillips Head Screwdriver to tighten the Connector (H) to the Chest back corner with Screw (G).



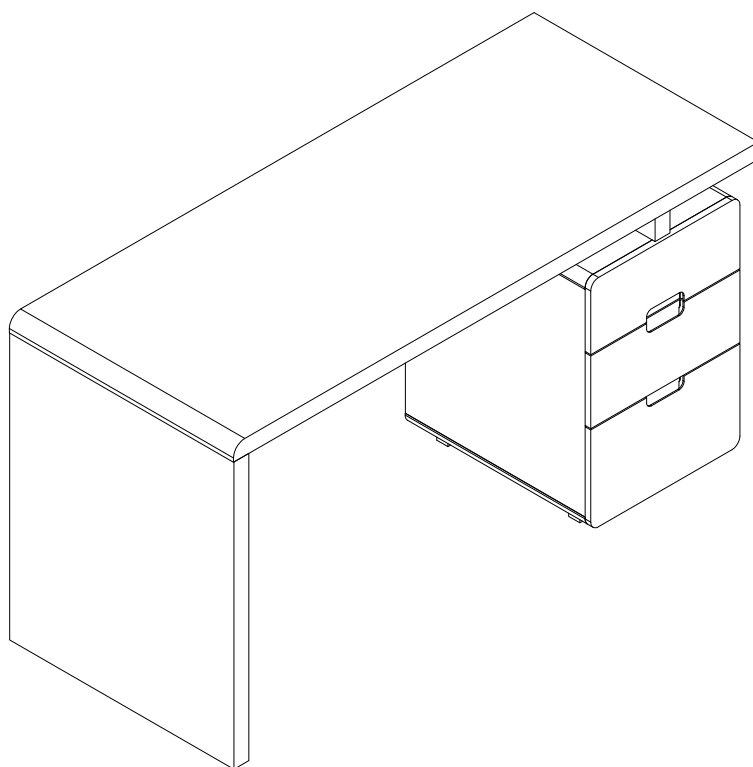
13-15

65540

STEP 16: Insert the Drawer to the Chest Left Side Panel (C6) and Chest Right Side Panel (C7).



**Assembly is complete**



Note -

Do not drag the furniture as this may cause damage to the legs. Instead, use 2 persons to lift carefully with caution from either end.



## SAFETY BRACKETS INSTRUCTIONS

This furniture poses a tipping risk and as such must be secured to a wall using the provided tipping kit.

1. Attach one Mounting Plate to the wall with the Large Screws. Make sure to attach the Mounting Plate into a stud. If mounting into brick or masonry you will need to acquire wall anchors. Please enquire with your local hardware supplier for appropriate fixings.
2. Attach the second Mounting Plate to the furniture frame with the Short Screws.
3. Move the furniture to its final position. Thread a Wall Strap through the both Mounting Plates and tighten until snug. Do not over tighten.
4. Make sure that the Mounting Plates are firmly attached to the wall and furniture and that the Wall Strap is snug.

### HARDWARE



Mounting Plate x 2



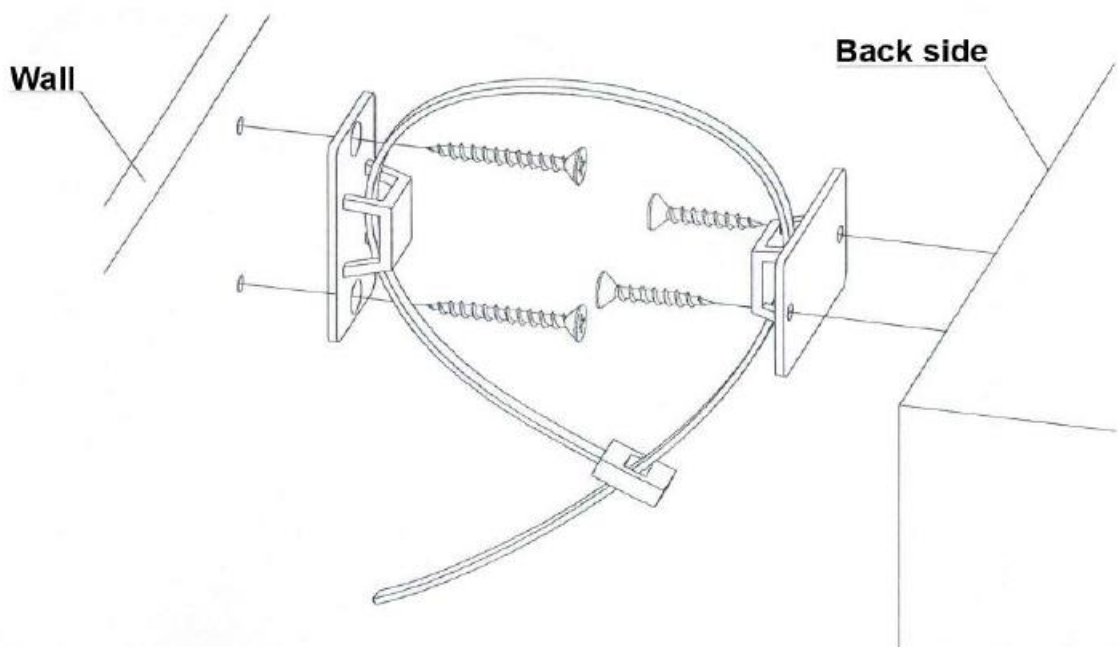
Wall Strap x 1



Large Screw x2



Small Screw x2





## **IMPORTANT: CARE GUIDE FOR YOUR HI-GLOSS FURNITURE**

*Congratulations! You have just purchased a quality product from Amart Furniture, Australia's largest discount furniture retail store. Please read on for important information regarding your purchase...*

Hi-gloss lacquered furniture is more sensitive to marks and scratching than some other furniture products. It is important to exercise caution and care to maximise the life and beauty of this product.

Following the below simple guidelines when using your hi-gloss product will protect your investment for years to come:

- Dust frequently with a clean damp, lint-free cloth. This will help remove abrasive build up which can damage a finish over time.
- Avoid using chemicals or solvents when cleaning the product.
- Do not place hot objects on any furniture surface. Always use a hot plate or placemat. Lacquer finishes provide added scratch and heat resistance to our furniture, but they can still be damaged without proper care.
- Avoid exposing your furniture to strong sunlight. Prolonged exposure to direct sunlight can fade the finish of your furniture.
- Do not expose your furniture to any liquids. Avoid allowing water to sit on your furniture. Alcohol, nail polish and perfume are particularly harmful as they will dissolve the lacquer finish on contact.
- Do not allow plastic to come in direct contact with your furniture. Chemicals in the plastic of some placemats etc may soften and mark the finish if left in contact with the furniture for a period of time.
- Avoid placing sharp or rough objects on the surface of your furniture. These may scratch the surface of the product.
- When moving your furniture, do not drag it across the floor. This may damage the product. Instead use two people to lift carefully with caution from either end.