

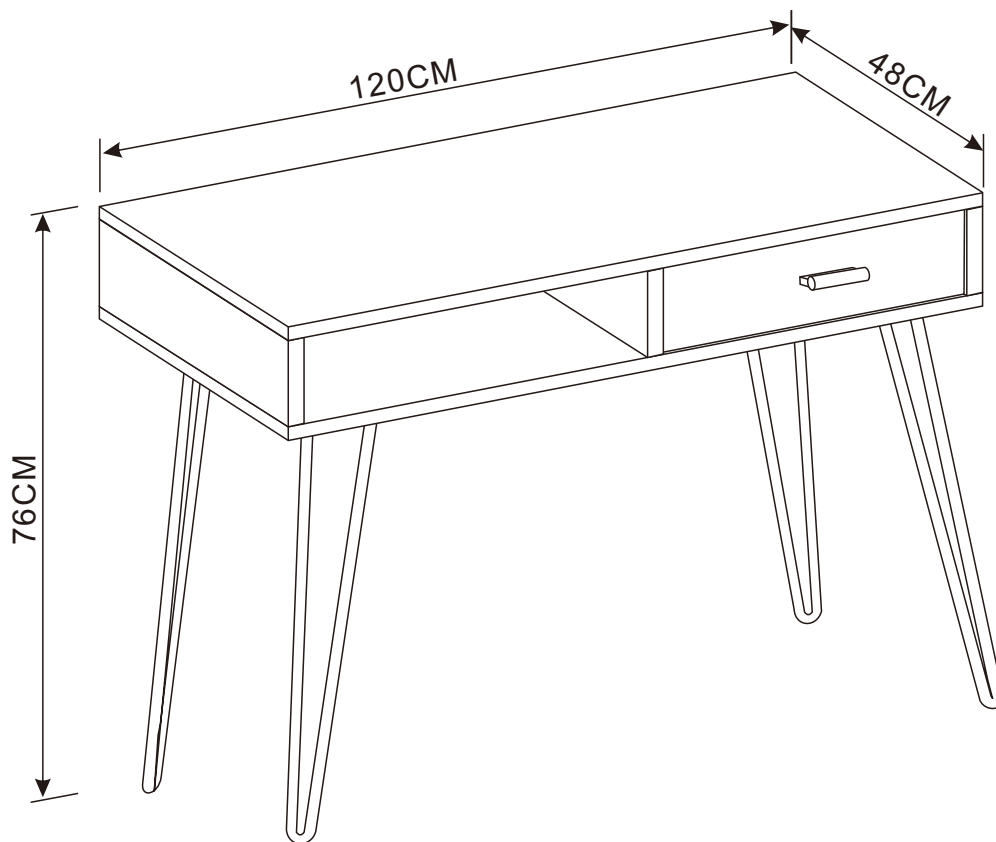


ASSEMBLY INSTRUCTION

LAYTON DESK GY/WT

ITEM CODE: 61357

Imported by Amart Furniture Pty Ltd, Qld, Brisbane Australia.
For any assistance with assembly or for missing parts please phone
Amart Furniture Ewing Road, Customer Service Free call 1800 351 084

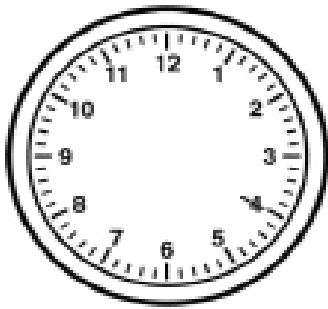


Imported by Amart Furniture Pty Ltd, Qld, Brisbane Australia.
For any assistance with assembly or for missing parts please
phone Amart Furniture Ewing Road, Customer Service Free call 1800 351 084

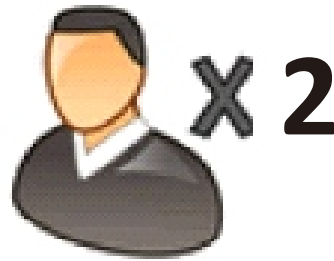
PRE-ASSEMBLY PREPARATION

BEFORE YOU START:

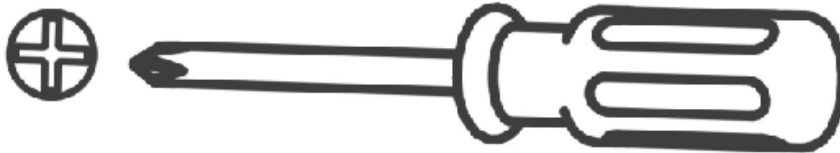
1. Choose a clean, level, spacious assembly area. Avoid hard surfaces that may damage the product
2. Take care when lifting. Product should be assembled as near as possible to the point of use
3. Ensure that you have all required contents for complete assembly
4. Always read the assembly instructions carefully before beginning assembly.
5. Keep all hardware parts and packaging out of reach of small children.
6. Do not over tighten the screws and bolts as this may damage the threads



ALLOW 20 MINUTES



PEOPLE REQUIRED



ADDITIONAL TOOLS REQUIRED



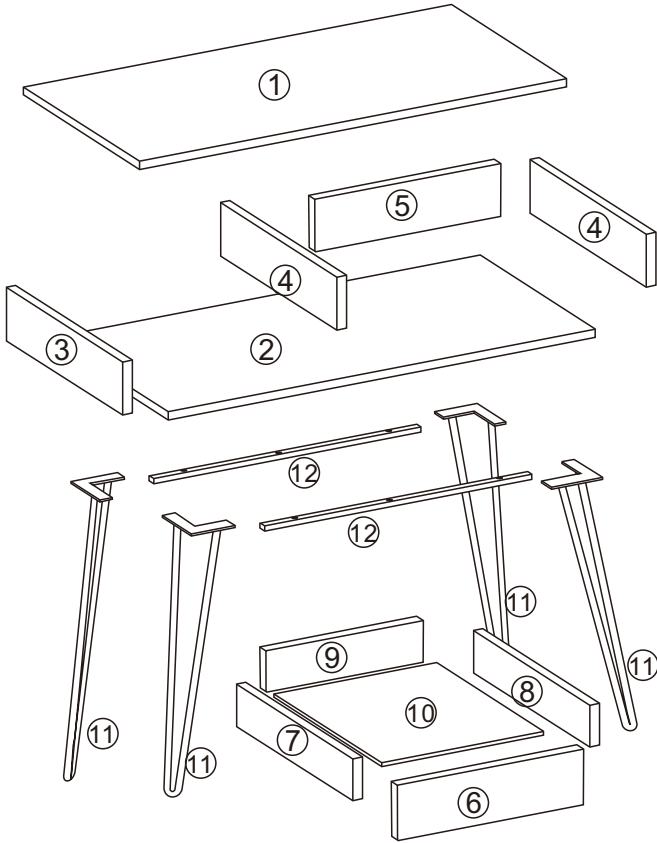
WARNING

Serious or fatal injuries may occur from furniture toppling over.
To help avoid this please follow the below recommendations:

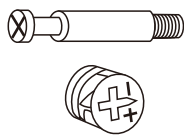
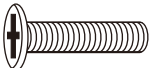

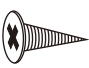

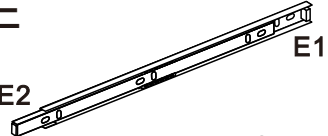




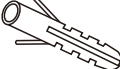
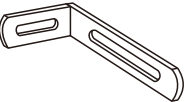
- Install the provided "Tipping Kit" as per the instructions
 - Never allow children to climb on or hang off of any part of this product
 - Unless specifically designed to accommodate, do not set TVs or other heavy objects on top of this product
- If this product has drawers:
- Place the heaviest items in lowest drawers
 - Do not open more than 1 drawer at a time as this may cause the product to become unbalanced
 - Do not tamper with or remove any drawer interlocking/running system

Note: This use of the provided "Tipping Kit" may reduce but not necessarily eliminate the risk of furniture toppling over. Please use this product with caution.
This is a permanent label. Do not attempt to remove!

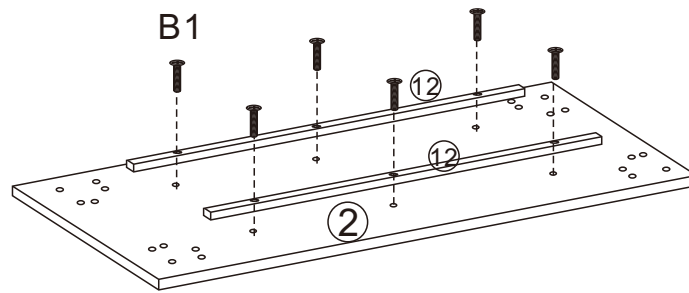
PARTS LIST



1	Top Panel	9	Drawer Back Panel
2	Bottom Panel	10	Bottom Drawer Panel
3	Left Side Panel	11	Metal Frame
4	Side Panel	12	Metal Tube
5	Back Panel	13	
6	Front Drawer Panel	14	
7	Drawer Left Panel	15	
8	Drawer Right Panel	16	

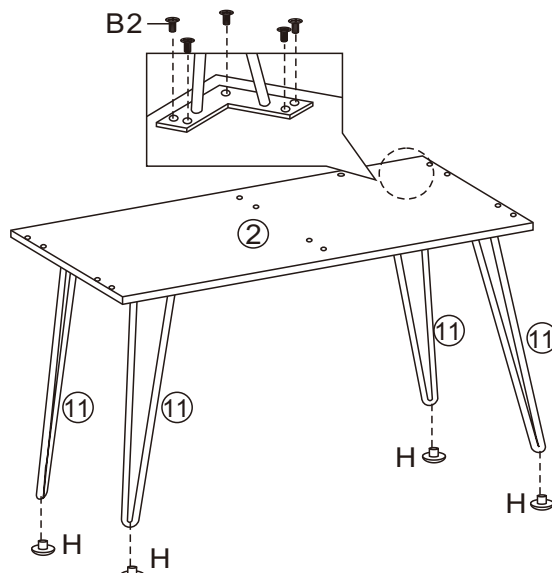
<p>A</p>  <p>Bolt 26pcs</p>	<p>B1</p>  <p>Bolt M6X25mm 6pcs</p>	<p>B2</p>  <p>Bolt M6X12mm 20pcs</p>	<p>C</p>  <p>Screw ST3.5X14mm 16pcs</p>
<p>D</p>  <p>Bolt M4X18mm 2pcs</p>	<p>E</p>  <p>Drawer Runner E1 E2 2pcs</p>	<p>F</p>  <p>Wood Dowel 8X30mm 12pcs</p>	<p>G</p>  <p>Handle 1pc</p>
<p>H</p>  <p>Plastic Tack 4pcs</p>	<p>I</p>  <p>Screw ST4X25mm 2pcs</p>	<p>J</p>  <p>Wall Nut 2pcs</p>	<p>K</p>  <p>Metal 2pcs</p>

STEP 1



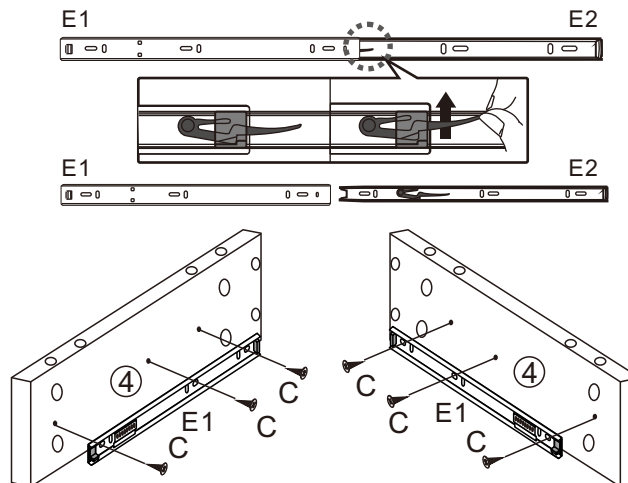
Assemble metal tube (12) to bottom panel (2) using bolt (B1).

STEP 2



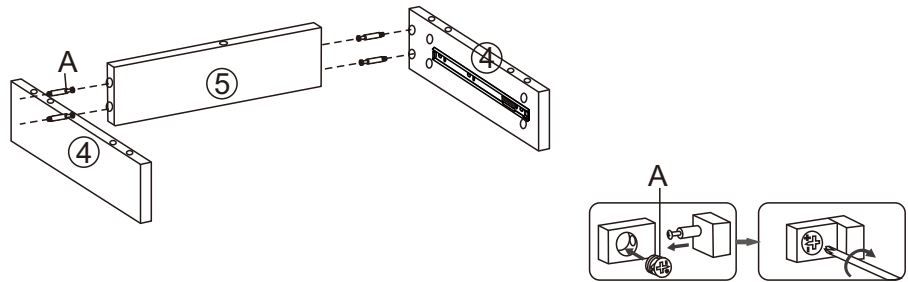
Assemble metal frame (11) to bottom panel (2) using bolt (B2), then insert plastic tack (H) to metal frame (11).

STEP 3



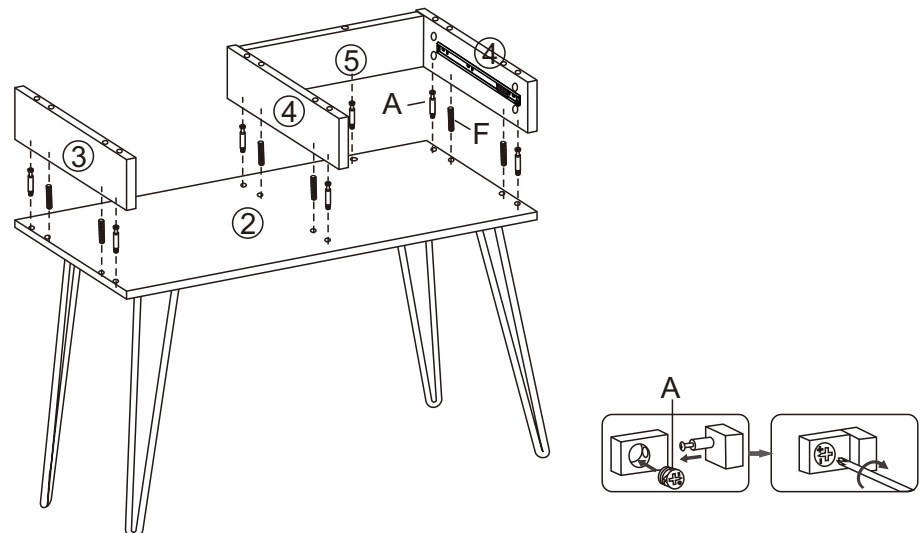
Assemble drawer runner (E1) to side panel (4) using screw (C).

STEP 4



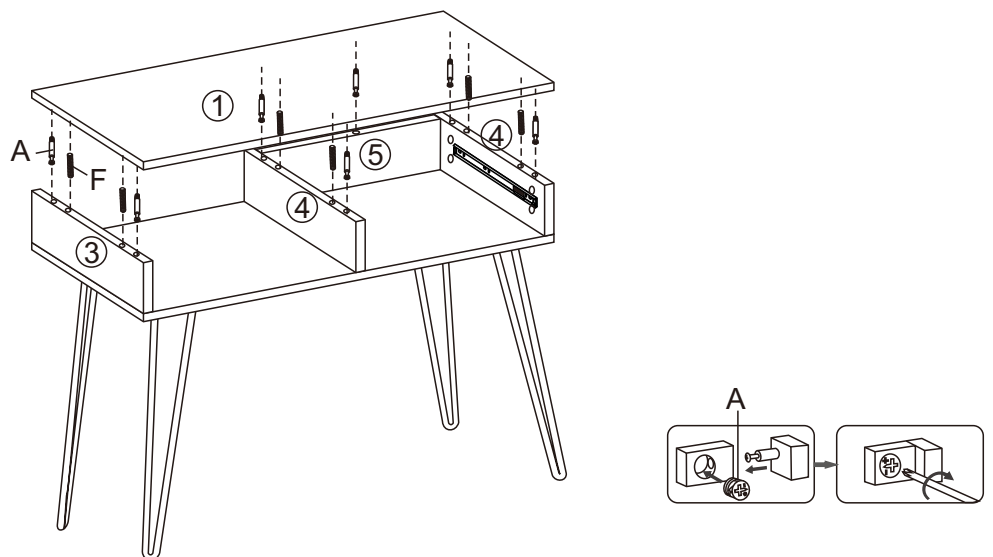
Assemble back panel (5) to side panel (4) using bolt (A).

STEP 5



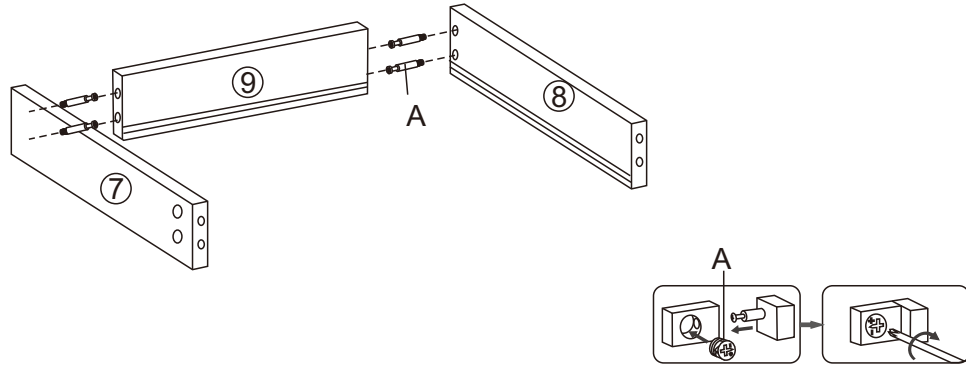
Assemble back panel (5), left side panel (3), side panel (4) to bottom panel (2) using bolt (A) and wood dowel (F). metal tube (12) to bottom panel (2) using bolt (B1).

STEP 6



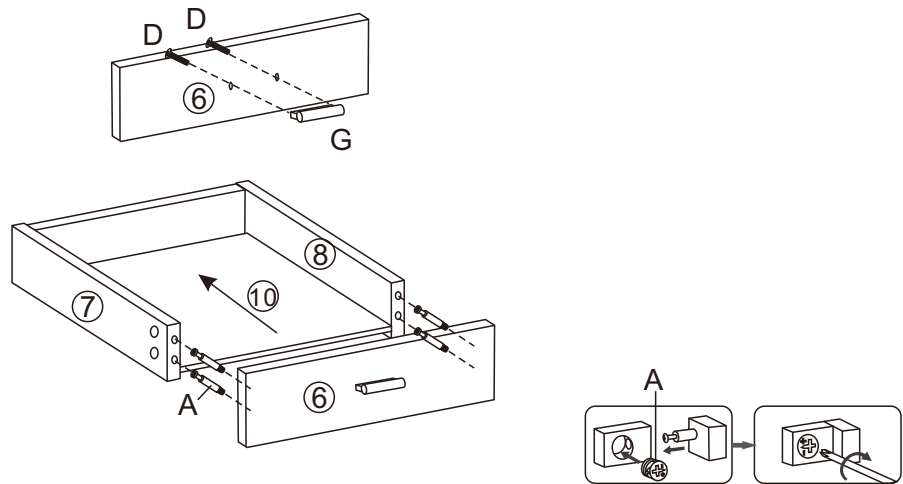
Assemble back panel (5), left side panel (3), side panel (4) to top panel (1) using bolt (A) and wood dowel (F).

STEP 7



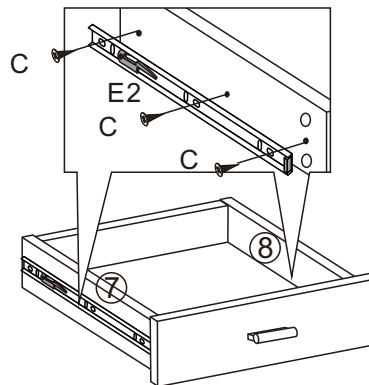
Assemble drawer back panel (9) to drawer left panel (7) and drawer right panel (8) using bolt (A).

STEP 8



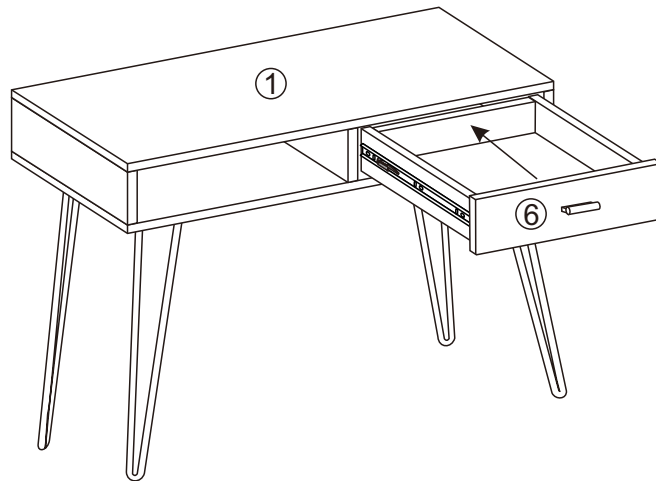
Assemble handle (G) to front drawer panel (6) using bolt (D), then insert bottom drawer panel as instruction showing. Assemble front drawer panel (6) to drawer left panel (7) and drawer right panel (8).

STEP 9



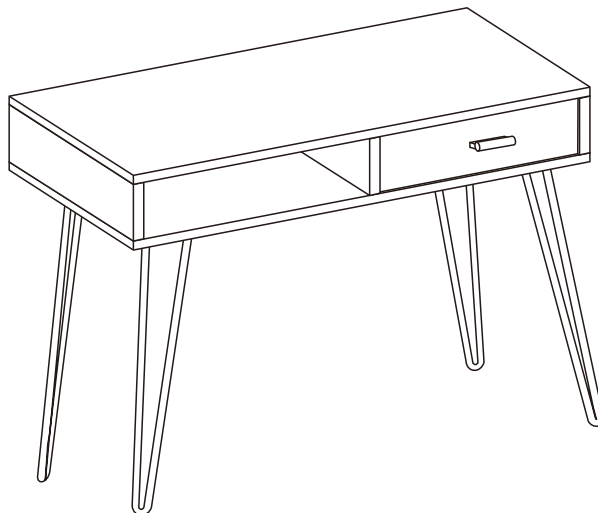
Assemble drawer runner (E2) to drawer left panel (7) and drawer right panel (8) using screw (C).

STEP 10



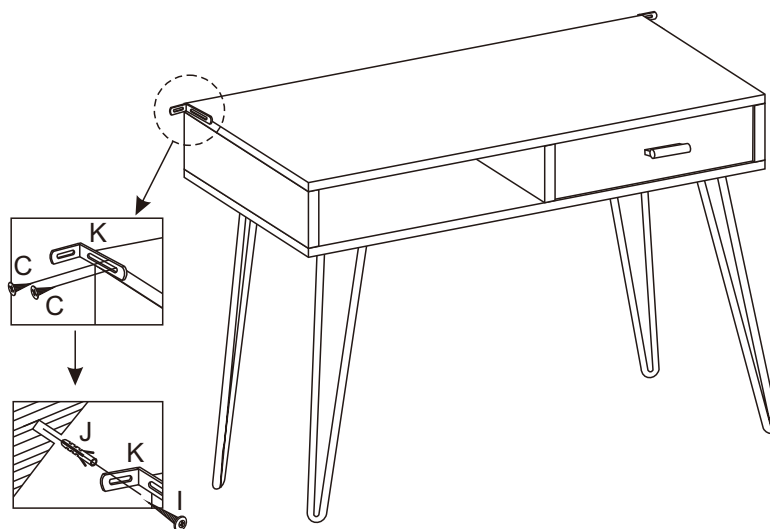
Insert drawer (6) then assemble metal (K) to top panel (1) using screw (C).

STEP 11



Assembly is complete.

STEP 12

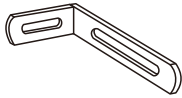


Knock in wall nut (J) on the wall, then connect metal (K) and wall nut (J) using screw (I). Fix the desk to the wall.

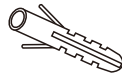
SAFETY BRACKETS INSTRUCTIONS

1. Attach one Mounting Plate to the wall with the Large Screws. Make sure to attach the Mounting Plate into a stud. If mounting into brick or masonry you will need to acquire wall anchors.
2. Attach the second Mounting Plate to the furniture frame with the Short Screws.
3. Move the furniture to its final position. Thread a Wall Strap through the both Mounting Plates and tighten until snug. Do not over tighten.
4. Make sure that the Mounting Plates are firmly attached to the wall and furniture and that the Wall Strap is snug.

HARDWARE



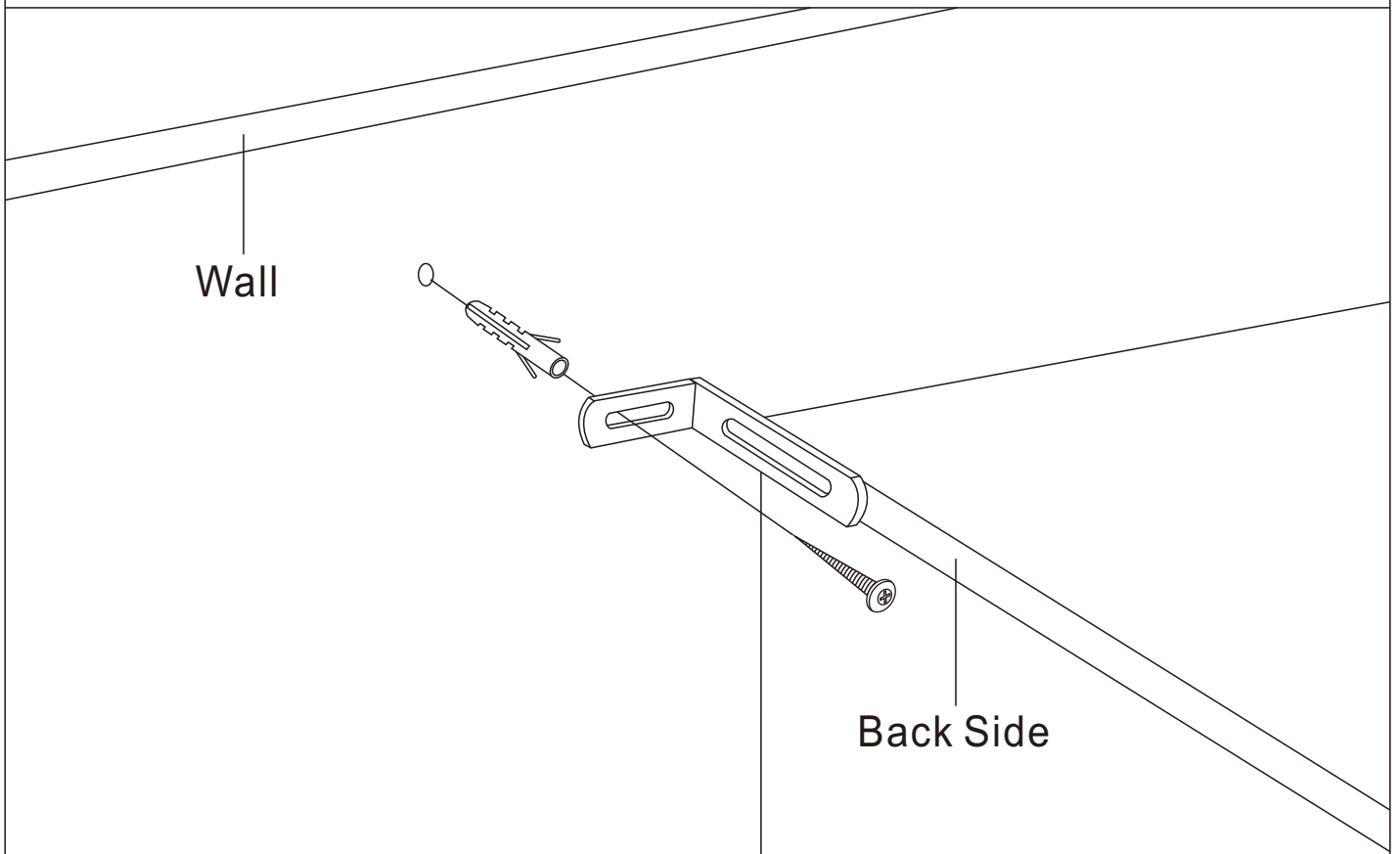
Metal x 1



Wall Nut x 1



Screw x 1



CARE AND MAINTENANCE

A multi-step finish is applied to all of our furniture, but all wood comes from nature. Because of this, there will be natural variations in surface texture and grain like knots, mineral streaks and sap runs that may affect the finish. These differences in character are not defects, but distinctions that make each piece of furniture unique.

Following these steps for basic care should protect your investment for years to come..

Dust frequently with a clean damp lint-free cloth. This will help remove abrasive build up which can damage a finish over time.

Do not place hot objects on any furniture surface. Always use a hot plate or placemat.

Laminate and lacquer finishes on tabletops provide added scratch and heat resistance to our furniture, but they can still be damaged without proper care

Avoid exposing your furniture to strong sunlight, heat outlet, open windows or dampness.

Prolonged exposure to direct sunlight can fade the finish of your furniture, while extreme temperature and humidity changes can cause cracking or splitting

Do not expose your furniture to any liquids. Never allow water to sit on your furniture. Alcohol, nail polish and perfume are also dangerous as they will dissolve the lacquer finish on contact and may require professional repairs

Do not allow plastic to come in direct contact with your furniture. Chemicals in the plastic of placemats etc. may soften and mark the finish if left in contact with the furniture for a period of time.