



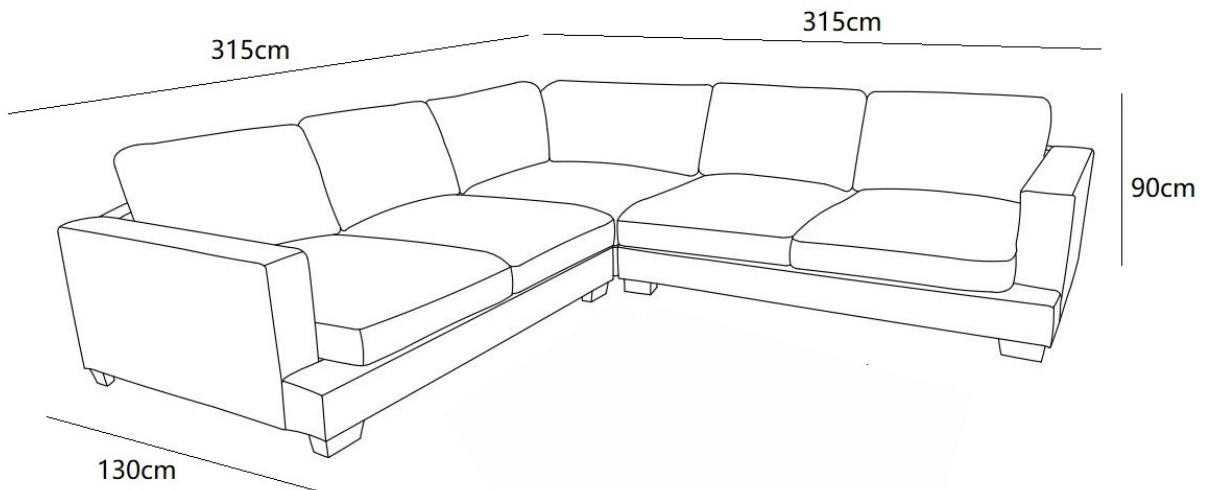
ASSEMBLY INSTRUCTION

ZAHRA CORNER LOUNGE

ITEM CODE: 73203

Imported by Amart Furniture Pty Ltd, Qld, Brisbane Australia.

For any assistance with assembly or for missing parts please phone Amart Furniture, Customer Service Free call 1800 351 084

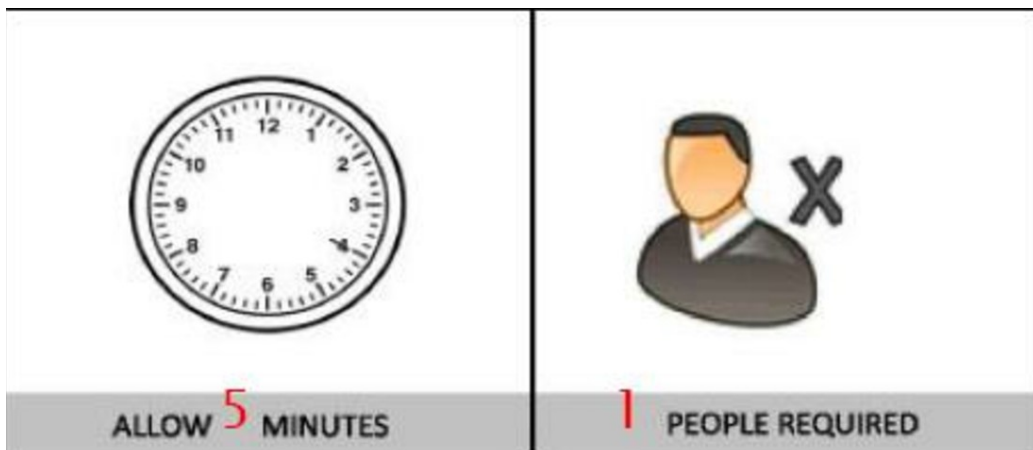


Imported by Amart Furniture Pty Ltd, Qld, Brisbane Australia.

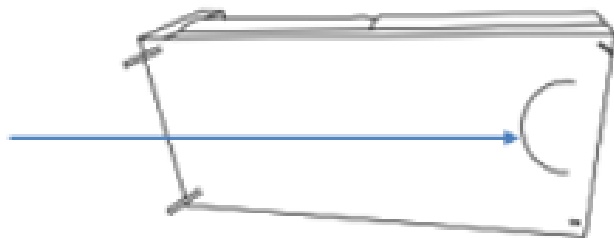
For any assistance with assembly or for missing parts please phone Amart Furniture, Customer Service Free call 1800 351 084

## Before you start:

1. Choose a clean, level, spacious assembly area. Avoid hard surfaces that may damage the product
2. Take care when lifting. Product should be assembled as near as possible to the point of use
3. Ensure that you have all required contents for complete assembly
4. Always read the assembly instructions carefully before beginning assembly.
5. Keep all hardware parts and packaging out of reach of small children.
6. Do not over tighten the screws and bolts as this may damage the threads



**Hardware and legs are located in dust cover zipper compartment underneath the lounge.**





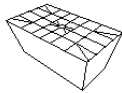

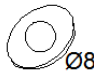

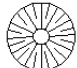
**Included:**

Hardware List


1

2

3

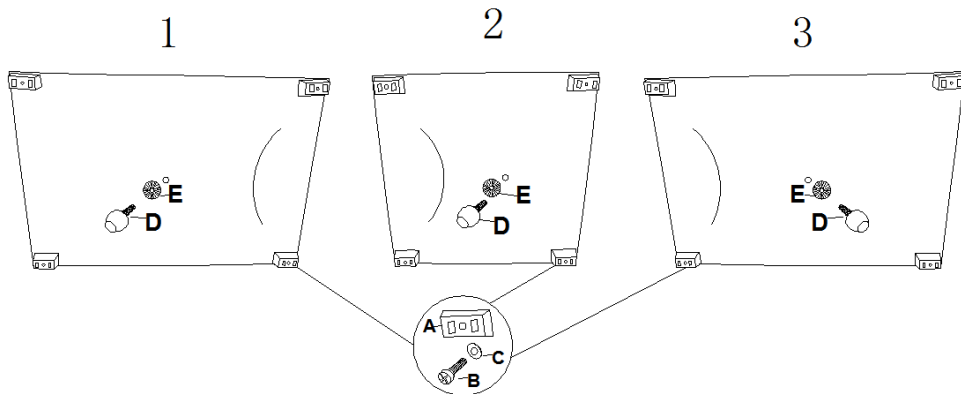
<b>A</b>	Plastic leg with stopper		4 pcs	4 pcs	4 pcs
<b>B</b>	BoIt	 Ø8x60mm	4 pcs	4 pcs	4 pcs
<b>C</b>	Metal Washer	 Ø8-16mm	4 pcs	4 pcs	4 pcs
<b>D</b>	Center leg	 H:6CM	1pc	1pc	1pc
<b>E</b>	Washer		1pc	1pc	1pc

**Not Included:**

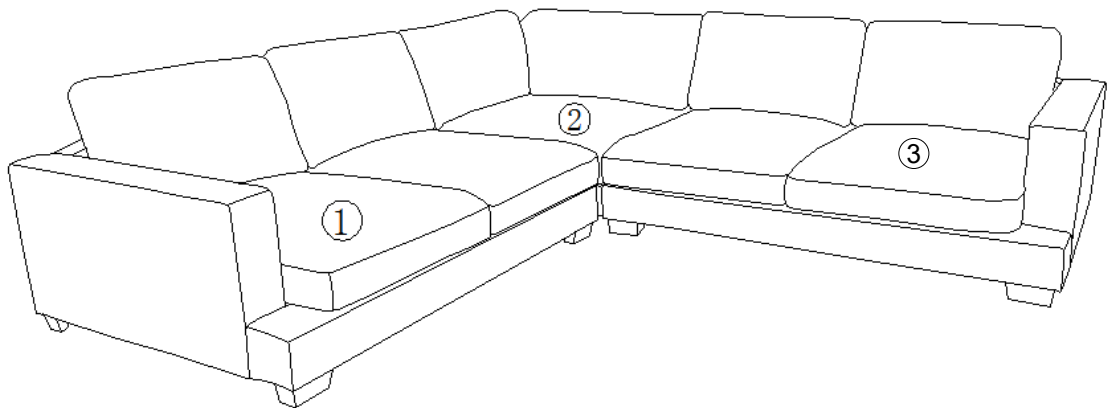
<b>F</b>	Screw-driver	
----------	--------------	---

# ASSEMBLY INSTRUCTIONS

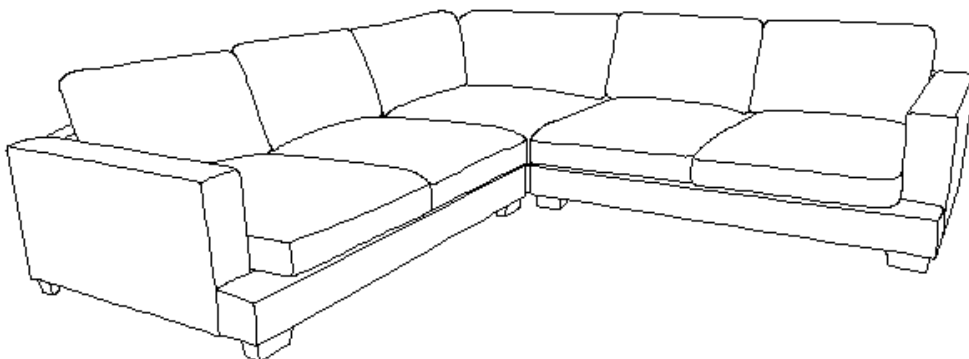
**STEP 1:** Turn over onto blanket or carpet to ensure no damage to item. Attach washer (C) to bolt (B) and insert into plastic leg (A) and screw into predrilled holes with a screwdriver (F) turning clockwise until feet are tightened securely. For centre leg, attach washer (E) to the leg (D) and rotate tightly until fixed.



**STEP 2:** Place Corner piece (2) in between Left (1) and Right (3) hand facing loveseat.



**STEP 3:** Assembly complete



# Fabric Care and Maintenance



---

## **REGULAR CARE:**

- Protect from direct sunlight
- Vacuum regularly using low suction
- Rotate reversible cushions regularly

## **CLEANING:**

- Do not remove cushion covers for separate cleaning even though they may have zippers
- Do not wash, Do not dry clean, Do not shampoo clean
- Clean with hot water extraction machine. Professional cleaning recommended
- Do not use dishwashing liquid or laundry detergent
- Use only upholstery detergents
- Do not wet filling
- Dry in shade away from direct heat and sunlight
- Allow to dry thoroughly before re-use

## **SPOT CLEANING:**

- Do not rub
- Do not spot clean with any solvent
- Treat spills and stains as soon as possible
- Gently scrape off any soil or mop any liquid from the surface of the fabric
- Apply proprietary cleaning agents strictly according to instructions to remove the residue of the spill
- Do not saturate the fabric or interior with water or other cleaning liquids

## **WARNING:**

Apply only water-based soil resist (fabric protection) treatments. Do not use aerosol products

\* PILLING IS NOT A FABRIC DEFECT OR FAULT AND IS NOT COVERED BY WARRANTY

\* PILLING IS A NORMAL OCCURRENCE CAUSED BY WEAR AND TEAR AND DOES NOT AFFECT THE DURABILITY OR FUNCTIONALITY OF THE FABRIC AND IS EASILY REMOVED