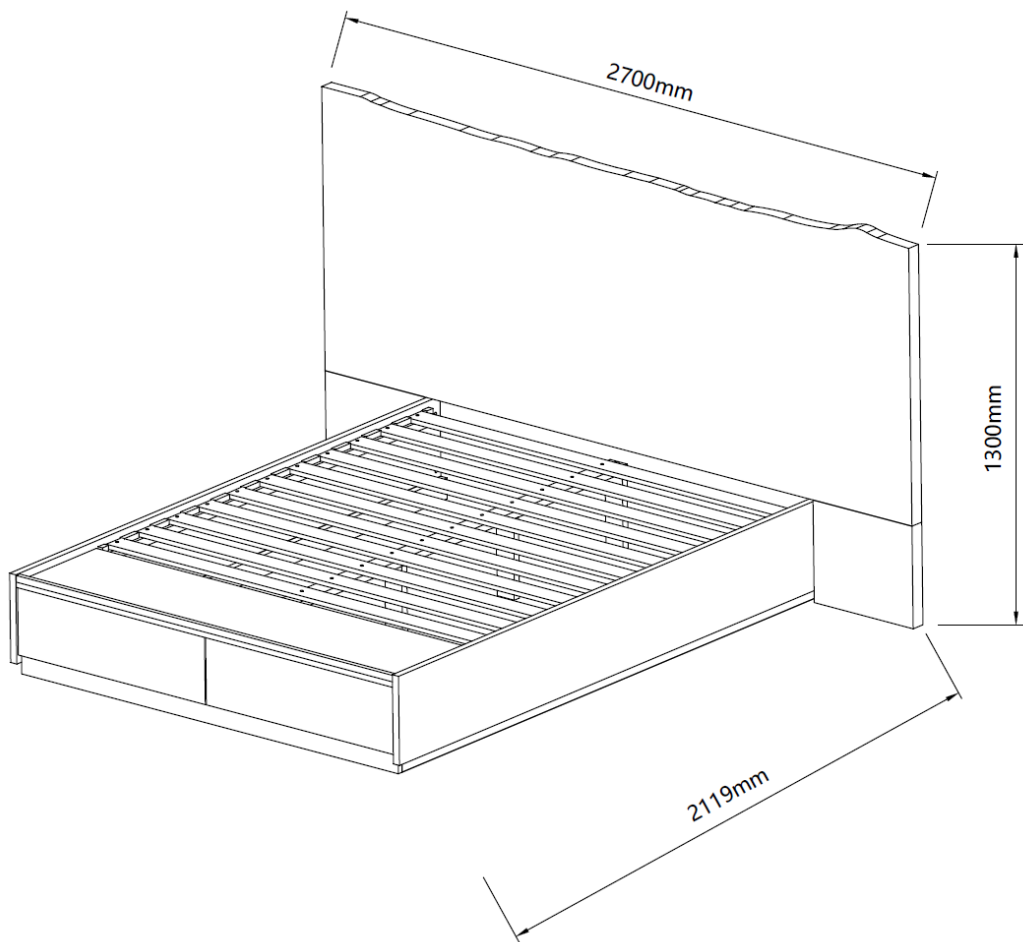




ASSEMBLY INSTRUCTION
OAKLEY KING BED
ITEM CODE 79825



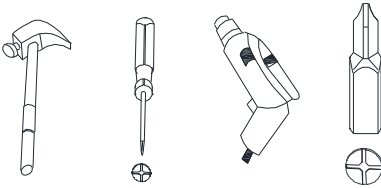


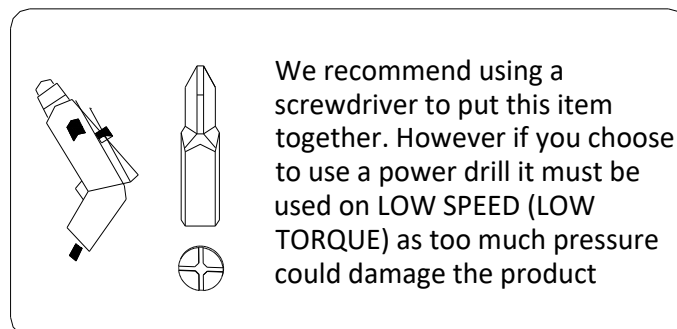
Imported by Amart Furniture Pty Ltd, Brisbane ,Qld Australia.
For any assistance with assembly or for missing parts please phone Amart Furniture, Customer Service Free call 1800 937 566

PRE-ASSEMBLY PREPARATION

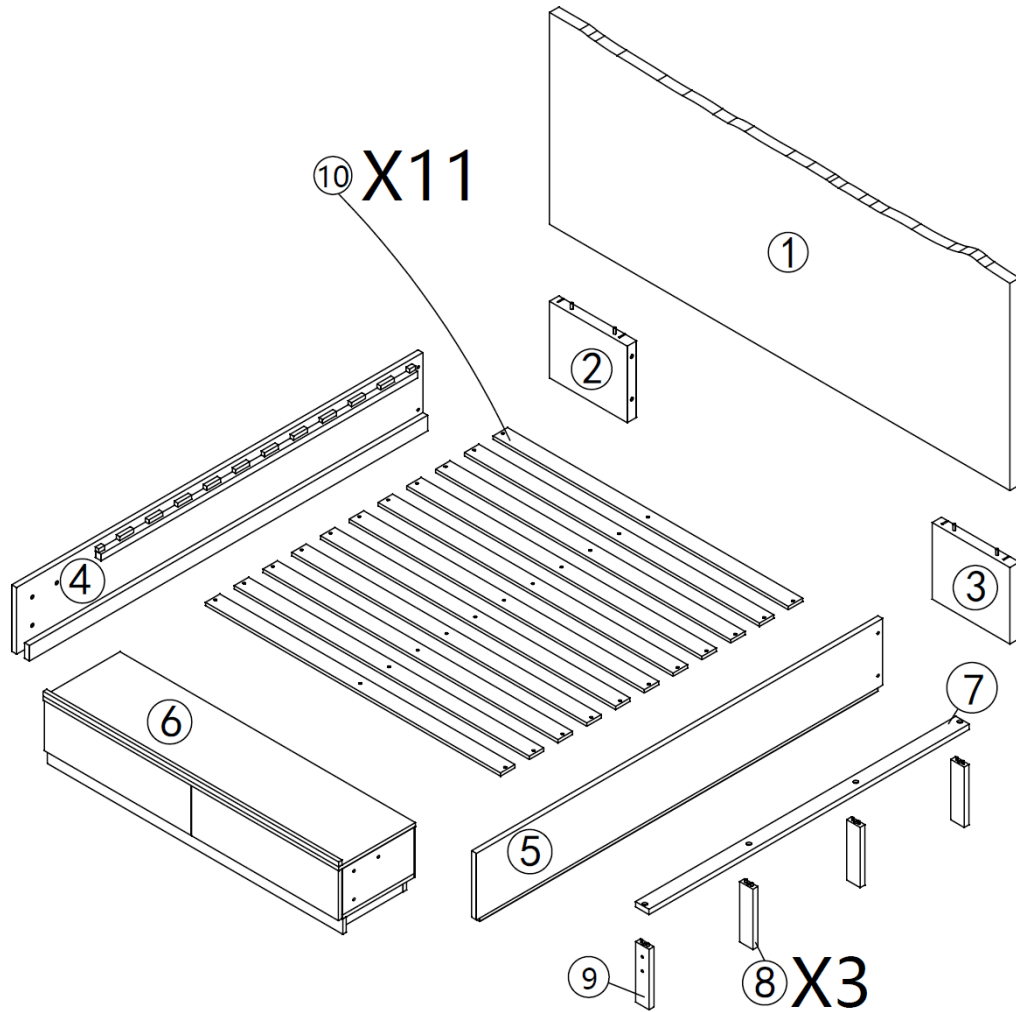
Before you start:

1. Choose a clean, level, spacious assembly area. Avoid hard surfaces that may damage the product
2. Take care when lifting. Product should be assembled as near as possible to the point of use
3. Ensure that you have all required contents for complete assembly
4. Always read the assembly instructions carefully before beginning assembly.
5. Keep all hardware parts and packaging out of reach of small children.
6. Do not over tighten the screws and bolts as this may damage the threads

	
ALLOW 60 MINUTES	2 PEOPLE REQUIRED
	
TOOLS REQUIRED	





PARTS LIST

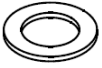


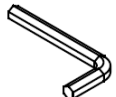
1	HEADBOARD
2	HEADBOARD FOOT
3	HEADBOARD FOOT
4	SIDERAIL
5	SIDERAIL


6	FOOT BOX
7	CENTRE RAIL
8	SUPPORT LEGS
9	SUPPORT LEGS
10	SLATS


A. M8X32mm

 AX32

B. M8X50mm

 BX4

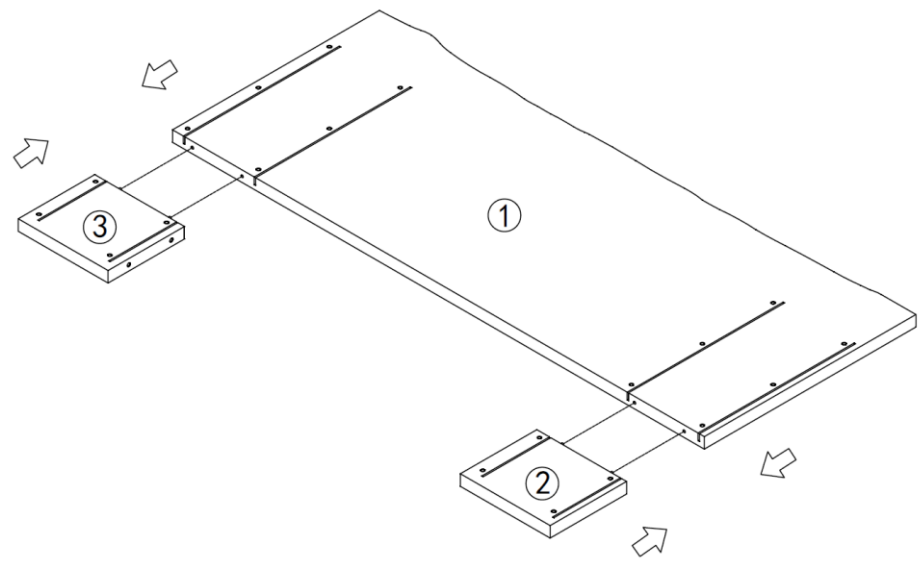
C.

 CX36

D. M5

 DX1



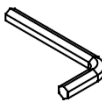

E. M4X28mm

 EX33

F. 1010X45X30mm

 FX4

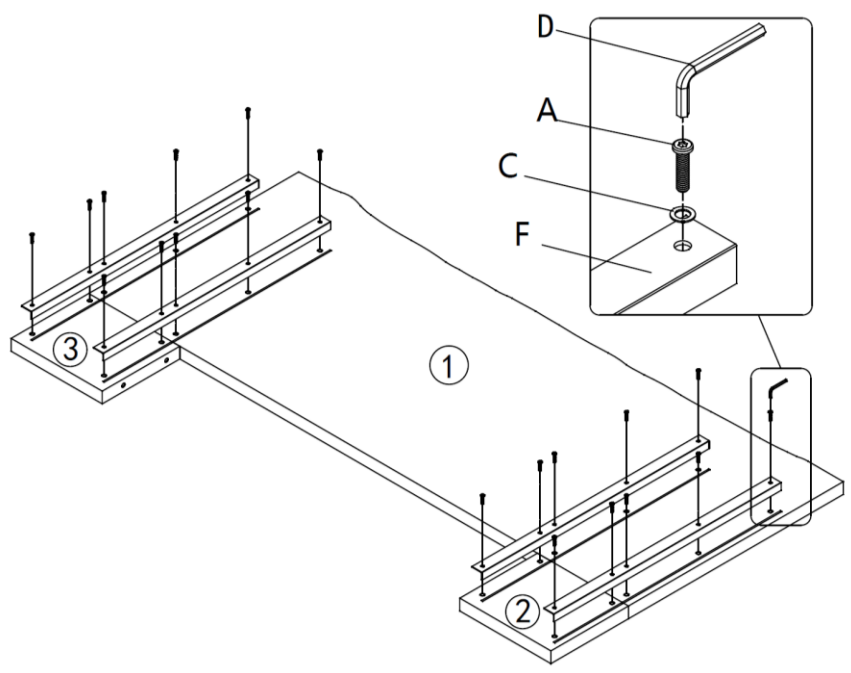
- Attach the headboard foot (2)(3) to the headboard(1)



2.

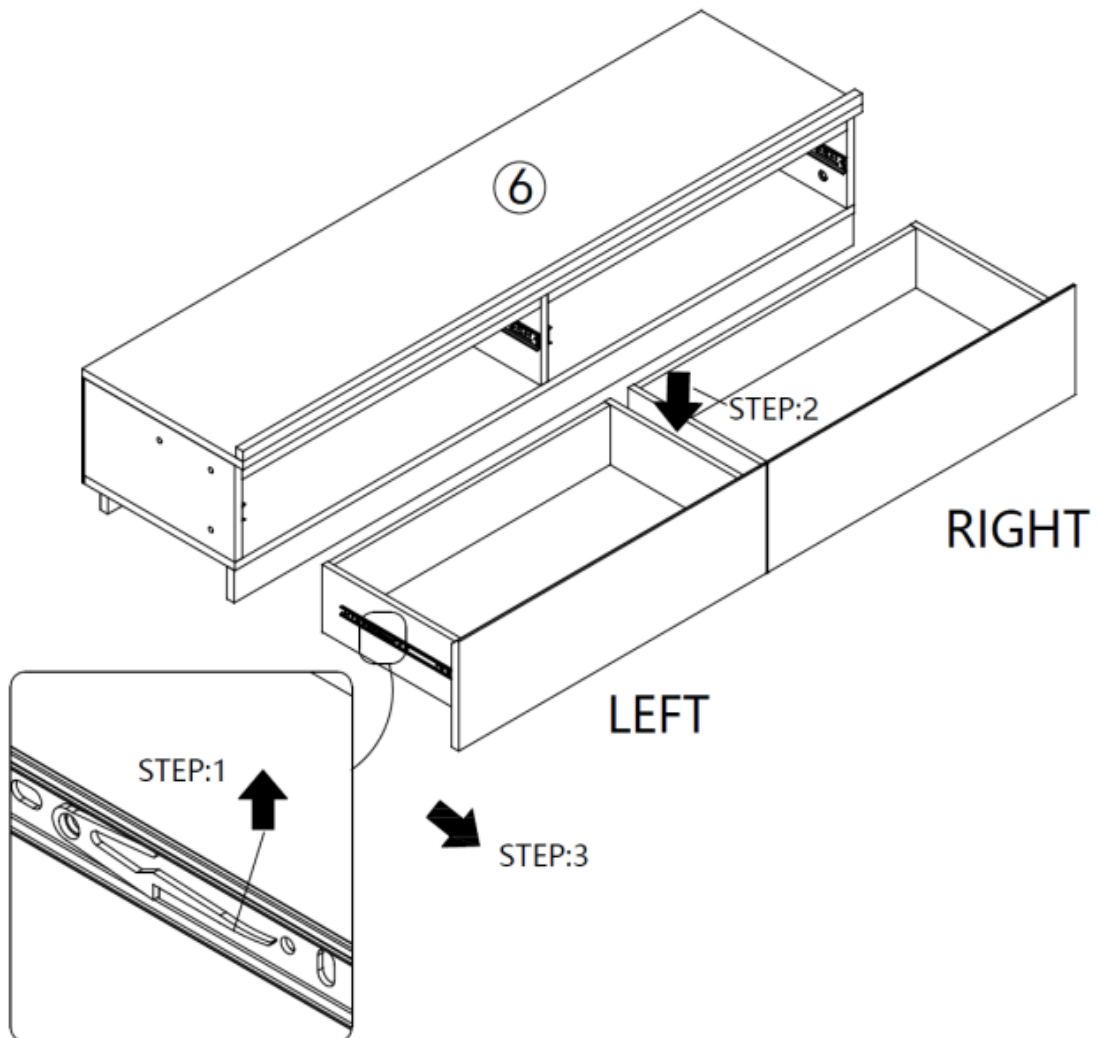
<p>A. M8X32mm AX20</p> 	<p>C. CX20</p> 	<p>D. M5 DX1</p> 	<p>F. 1010X45X30mm FX4</p> 
--	--	--	---

- Attach angle iron(F) to headboard (1)(2)(3) with flat washer (C) and bolts (A)
- Tighten with allen key (D)




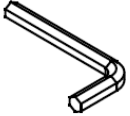


3.

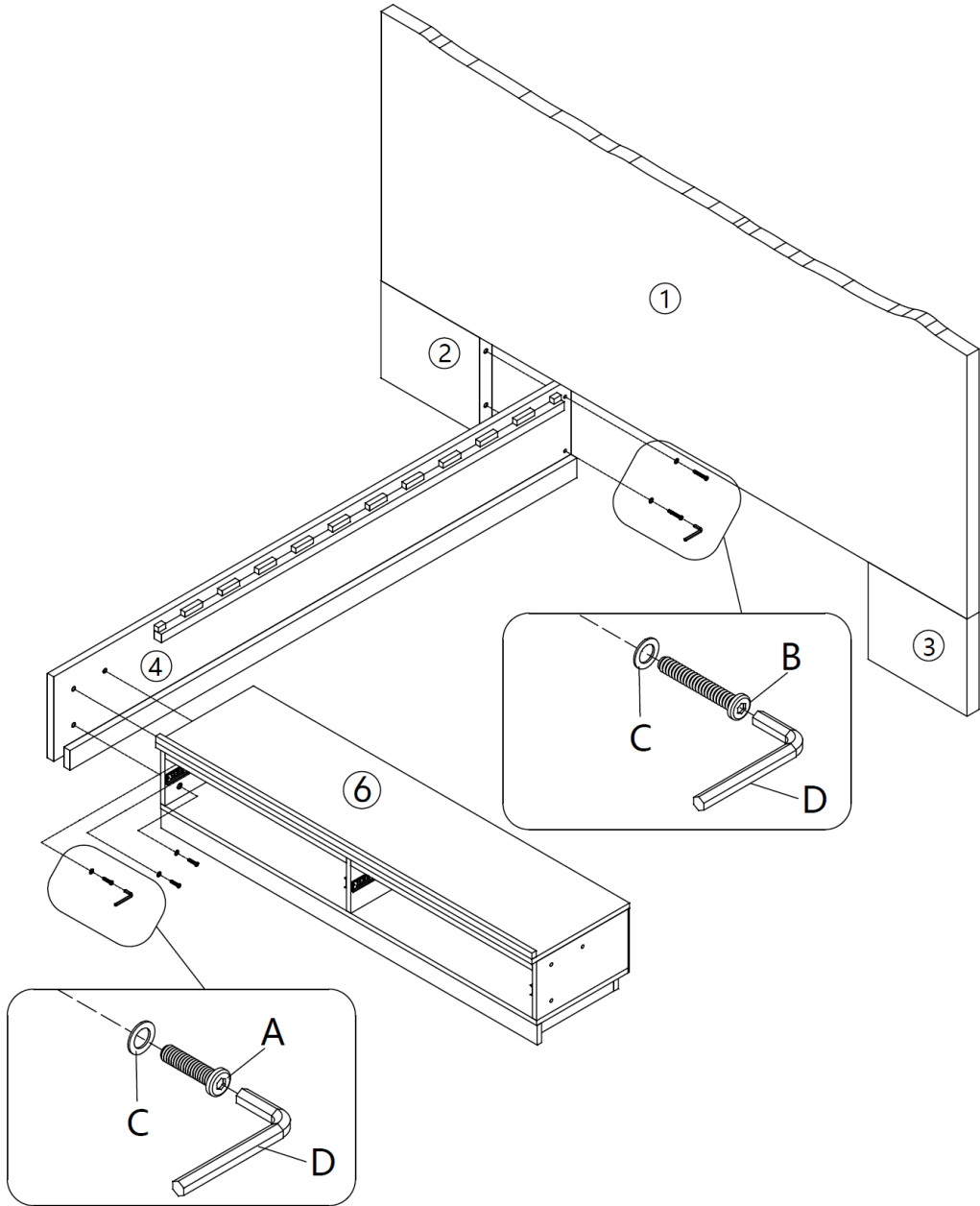
- Remove drawers from Footbox(6).
- Slide one drawer out. With your left hand, locate the lever in the left side drawer runner and lift (step1), at the same time, with your right hand locate the lever in the right side drawer runner and push down (step2).
- Drawer will be released from runners and can be removed completely (step3).
- Repeat for second drawer.



4.

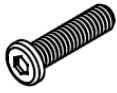
A. M8X32mm  AX3	B. M8X50mm  BX2	C.  CX5	D. M5  DX1
---	---	---	--

- Attach siderail (4) to headboard foot (2) with flat washer (C) and bolts(B).
- Attach foot box(6) to the siderail (4) with flat washer (C) and bolts (A).
- Tighten with allen key (D)



5.

A. M8X32mm



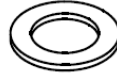
AX3

B. M8X50mm



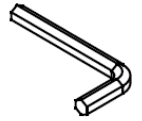
BX2

C.



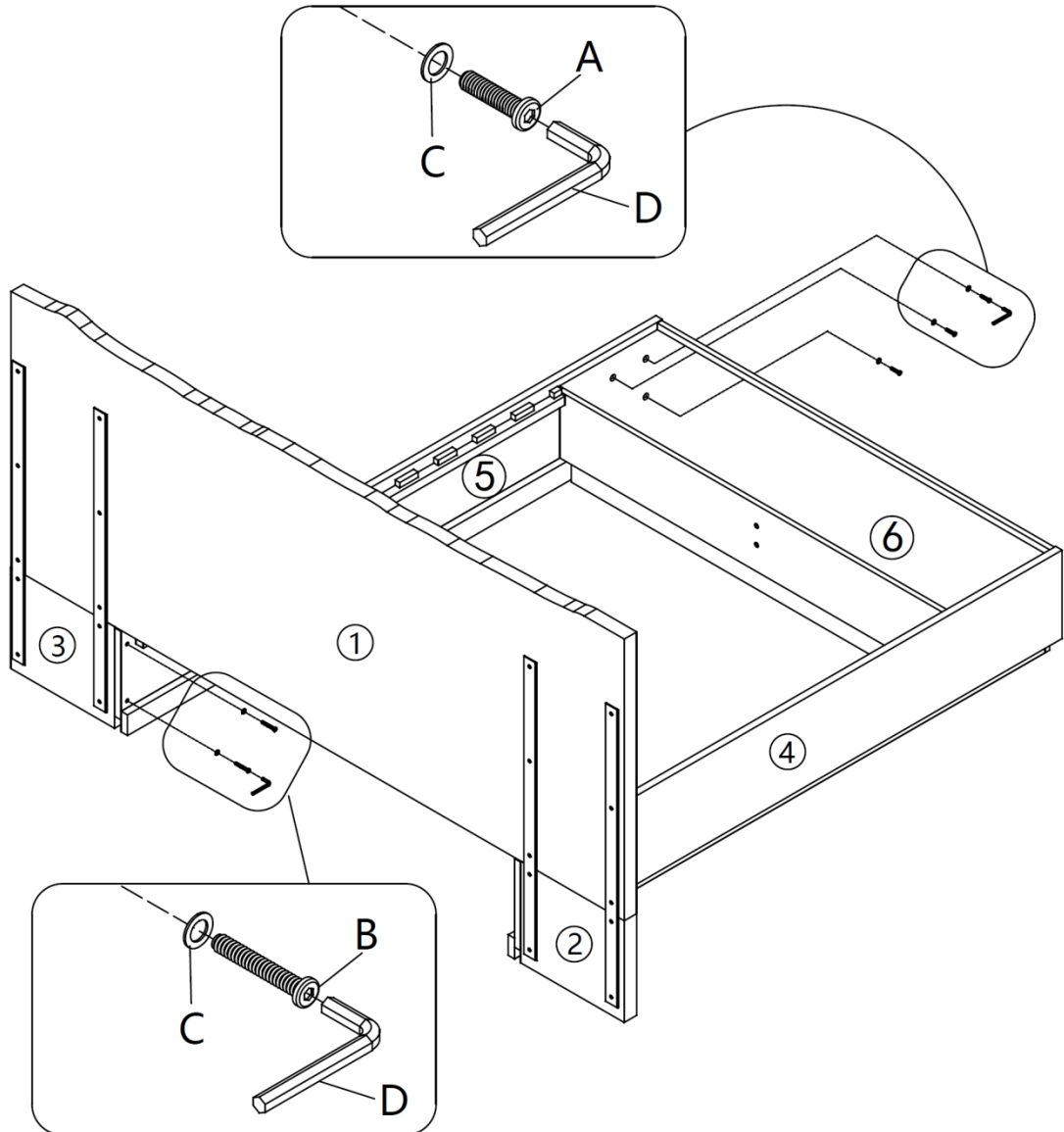
CX5

D. M5

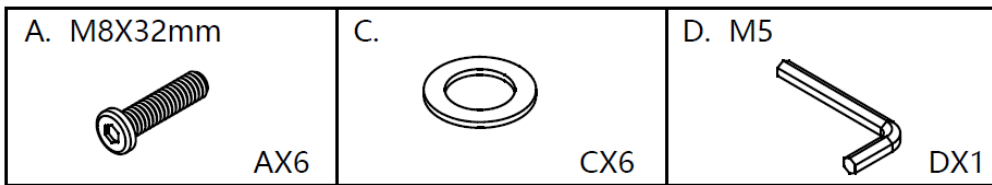


DX1

- Attach siderail (5) to headboard foot (3) with flat washer (C) and bolts(B).
- Attach siderail (5) to footbox (6) with flat washer (C) and bolts (A).
- Tighten with allen key (D)



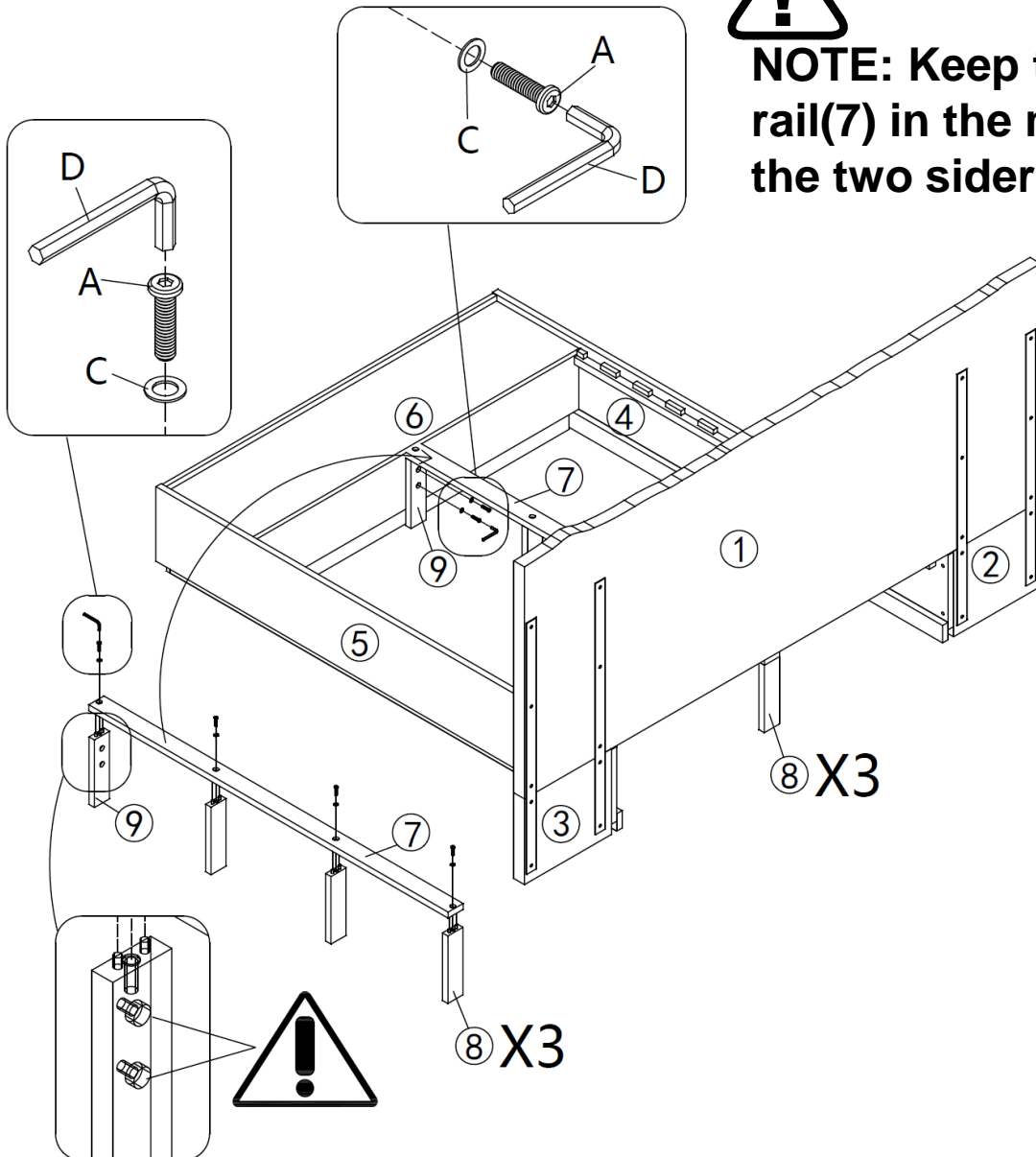
6.



- Attach support legs (8)(9) to centre rail (7) with flat washer (C) and bolts (A). Pay attention to the direction of the support leg(9) sinking hole.
- Fix the support leg(9) to footbox (6) with flat washer (C) and bolts (A)
- Tighten with allen key (D)



NOTE: Keep the center rail(7) in the middle of the two siderails(4)(5)



7.

E. M4X28mm



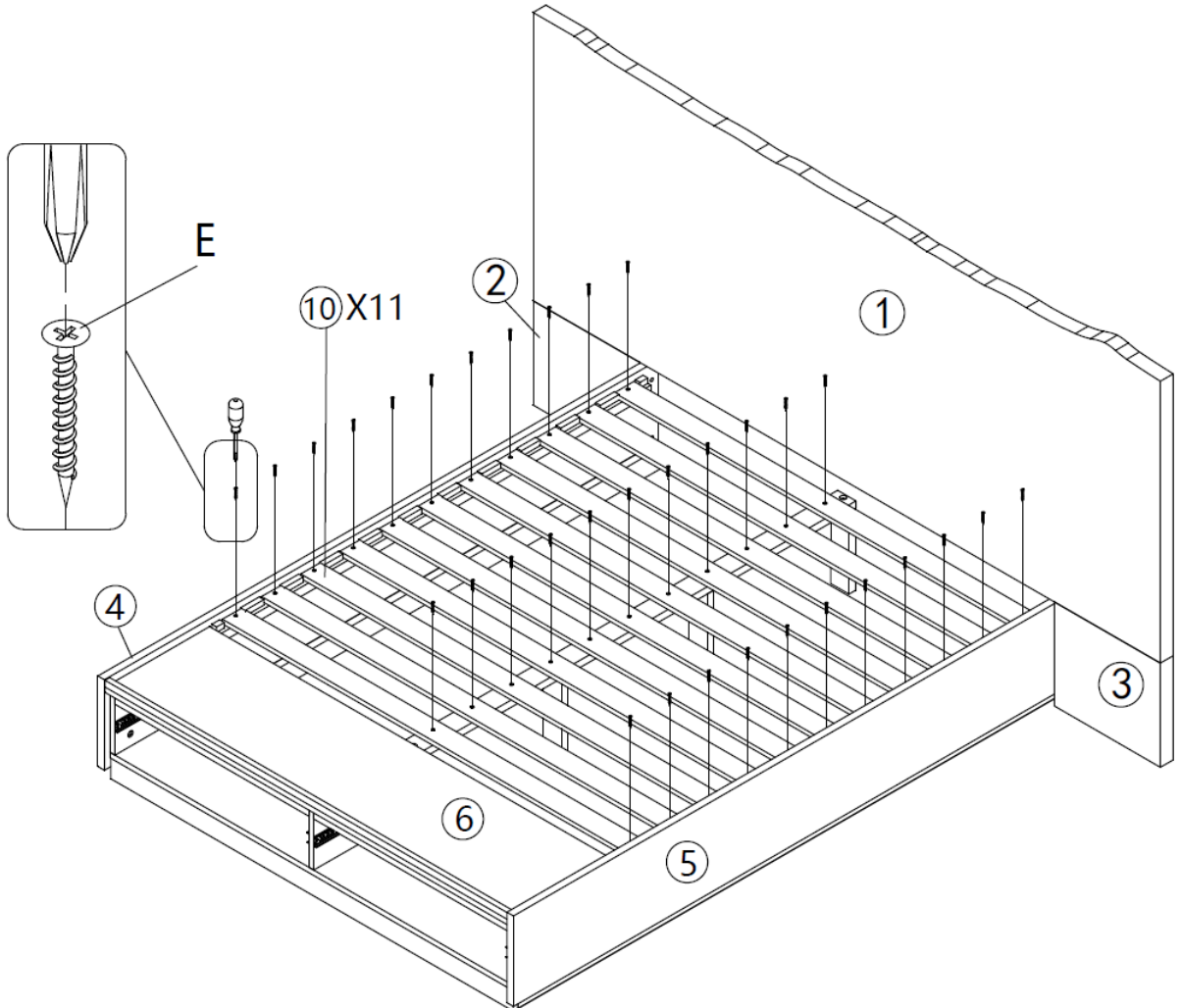
EX33



- Attach slats (10) to siderail (4) (5) and centre rail (7) using screws (E).
- Use Screwdriver or Power Drill on Low Speed.

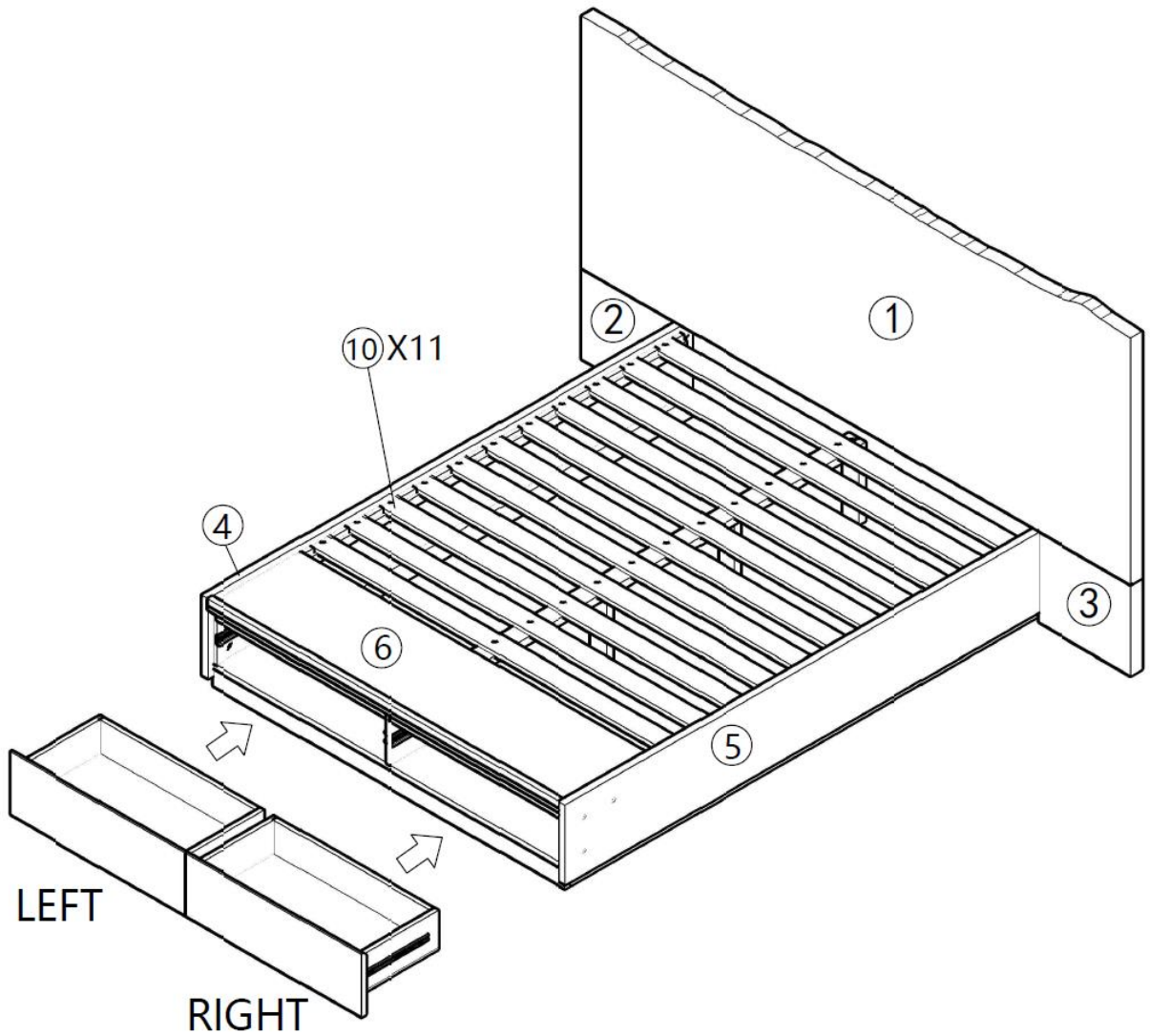


NOTE: Always keep the center rail(7) in the middle of the slats(10)



8.

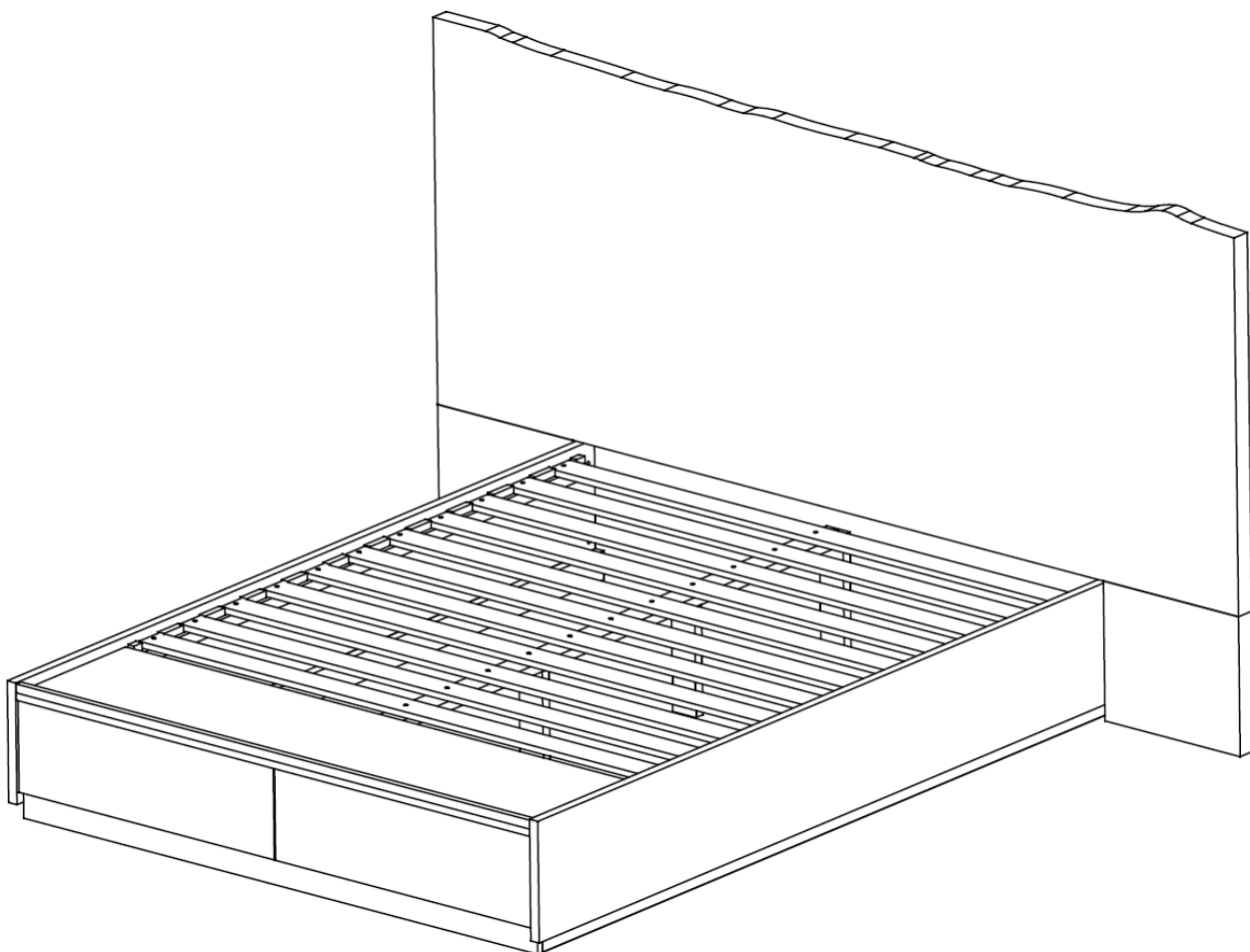
- Assemble two drawers into the footbox(6)



ASSEMBLY IS COMPLETE

CAUTION

Always Lift Your Bed When Moving /Relocating -
Do Not Drag. Dragging Can Cause The Centre
Support Legs To Bend/Break.



Care and maintenance



- A multi-step finish is applied to all our furniture, but all wood comes from nature. Because of this, there will be natural variations in surface texture and grain like knots, mineral streaks and sap runs that may affect the finish. These differences in character are not defects, but distinctions that make each piece of furniture unique.
- Our furniture is built to last. Following these steps for basic care should protect your investment for years to come.
- Dust frequently with a clean damp lint-free cloth. This will help remove abrasive build up which can damage a finish over time.
- Do not place hot objects on any furniture surface. Always use a hot plate or placemat. Laminate and lacquer finishes on table tops provide added scratch and heat resistance to our furniture, but they can still be damaged without proper care.
- Avoid exposing your furniture to strong sunlight, heat outlet, open windows or dampness. Prolonged exposure to direct sunlight can fade the finish of your furniture, while extreme temperature and humidity changes can cause cracking or splitting.
- Do not expose your furniture to any liquids. Never allow water to sit on your furniture. Alcohol, nail polish and perfume are also dangerous as they will dissolve the lacquer finish on contact and may require professional repairs.
- Do not allow plastic to come in direct contact with your furniture. Chemicals in the plastic of placemats etc may soften and mark the finish if left in contact with the furniture for a period of time.