

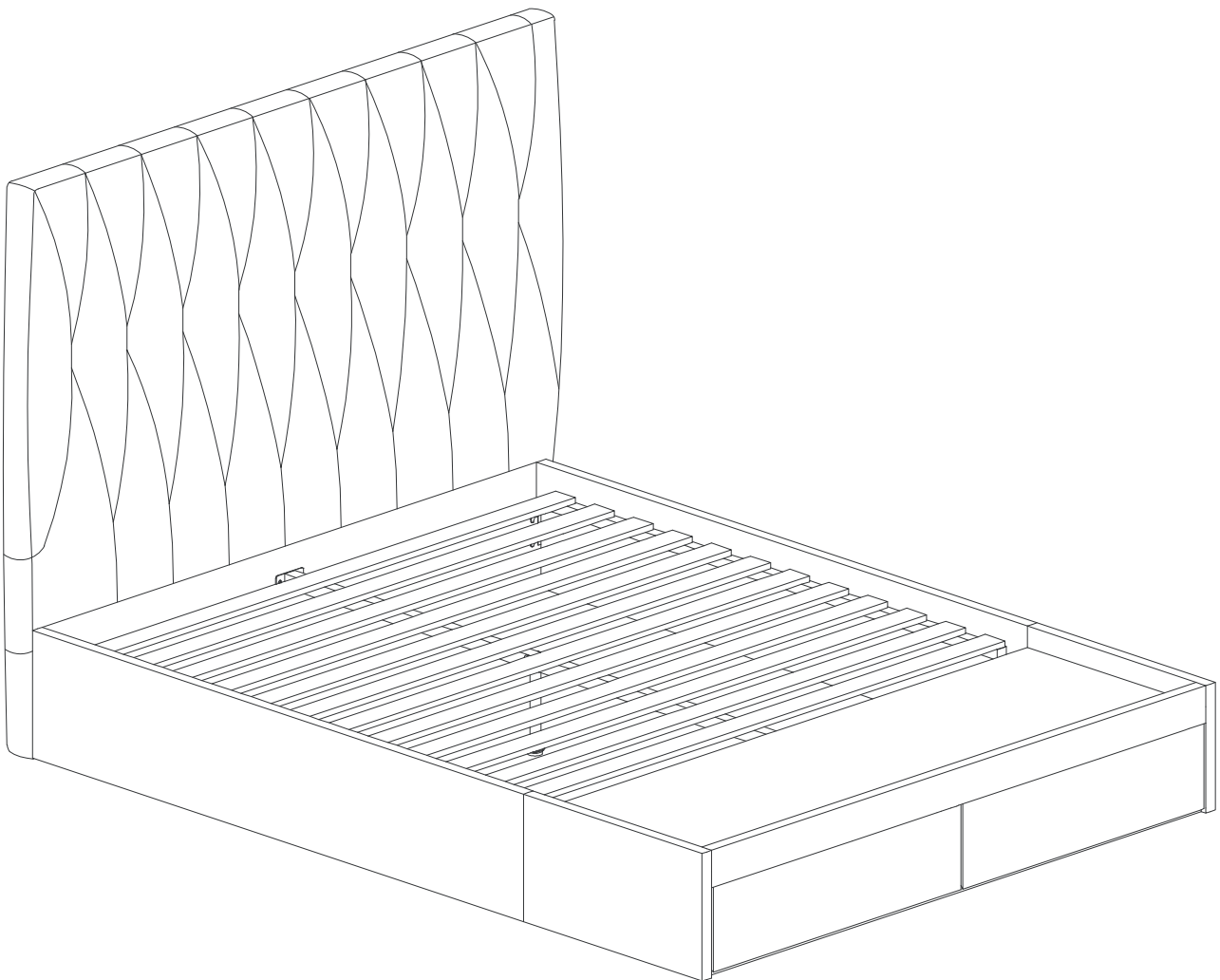


ASSEMBLY INSTRUCTION

BENNY QUEEN BED

ITEM CODE 75094

Imported by Amart Furniture Pty Ltd, Qld, Brisbane Australia.
For any assistance with assembly or for missing parts please phone
Amart Furniture, Customer Service Free call 1800 351 084



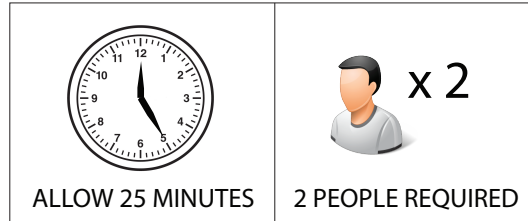
Imported by Amart Furniture Pty Ltd, Qld, Brisbane Australia.

For any assistance with assembly or for missing parts please phone Amart Furniture, Customer Service Free call 1800 351 084

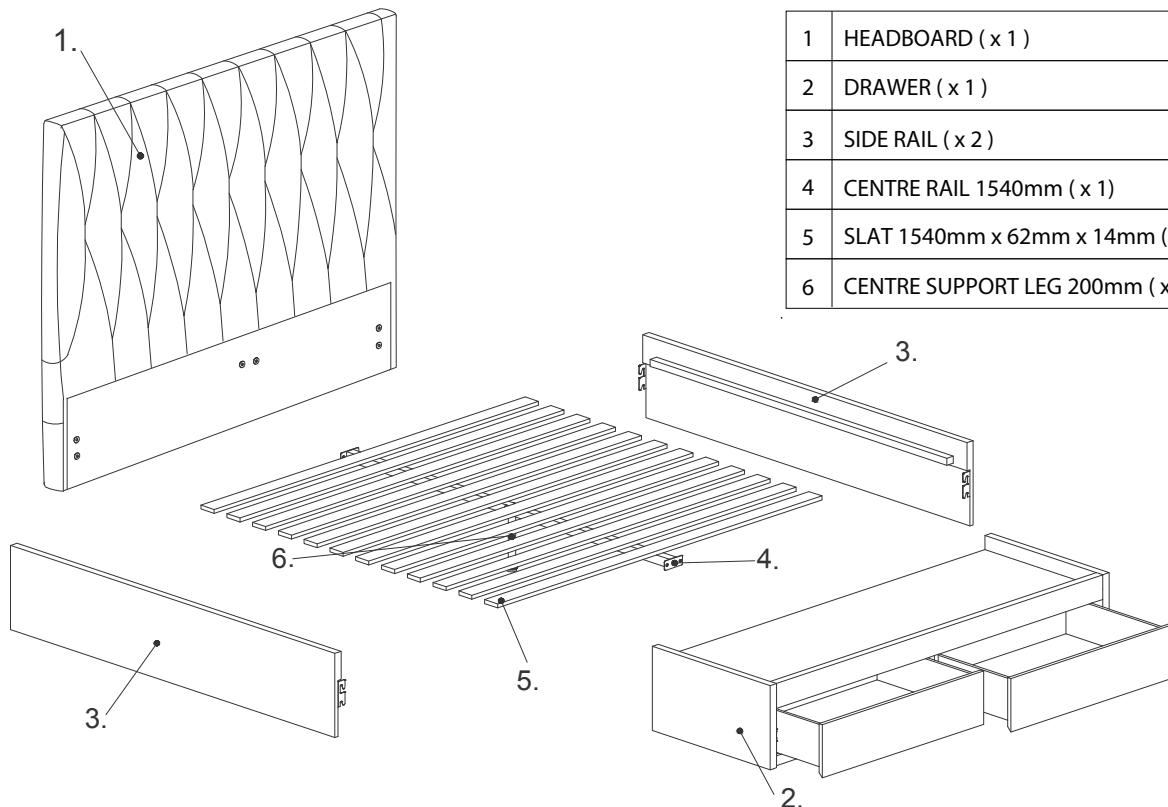
PRE-ASSEMBLY PREPARATION

Before you start :

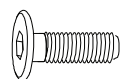
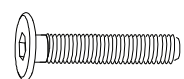


1. Choose a clean, level, spacious assembly area. Avoid hard surfaces that may damage the product.
2. Take care when lifting. Product should be assembled as near as possible to the point of use.
3. Ensure that you have all required contents for complete assembly.
4. Always read the assembly instructions carefully before beginning assembly.
5. Keep all hardware parts and packaging out of reach of small children.
6. Do not over tighten the screws and bolts as this may damage the threads.



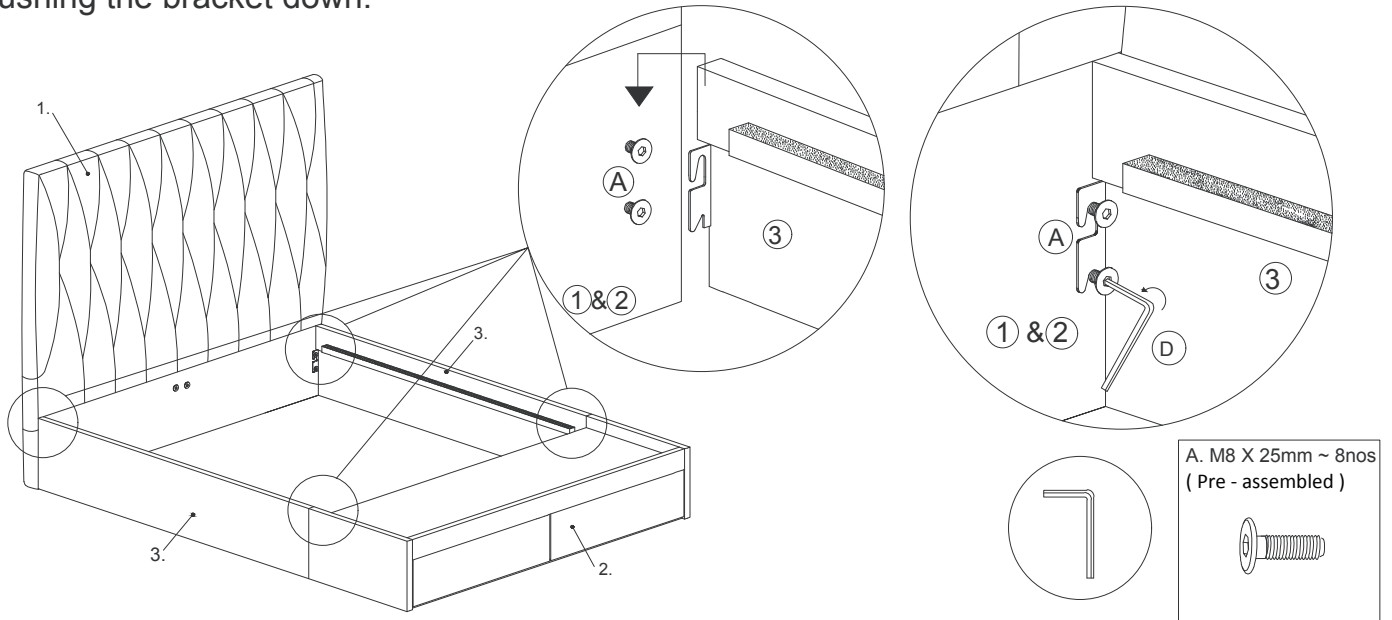
PARTS LIST



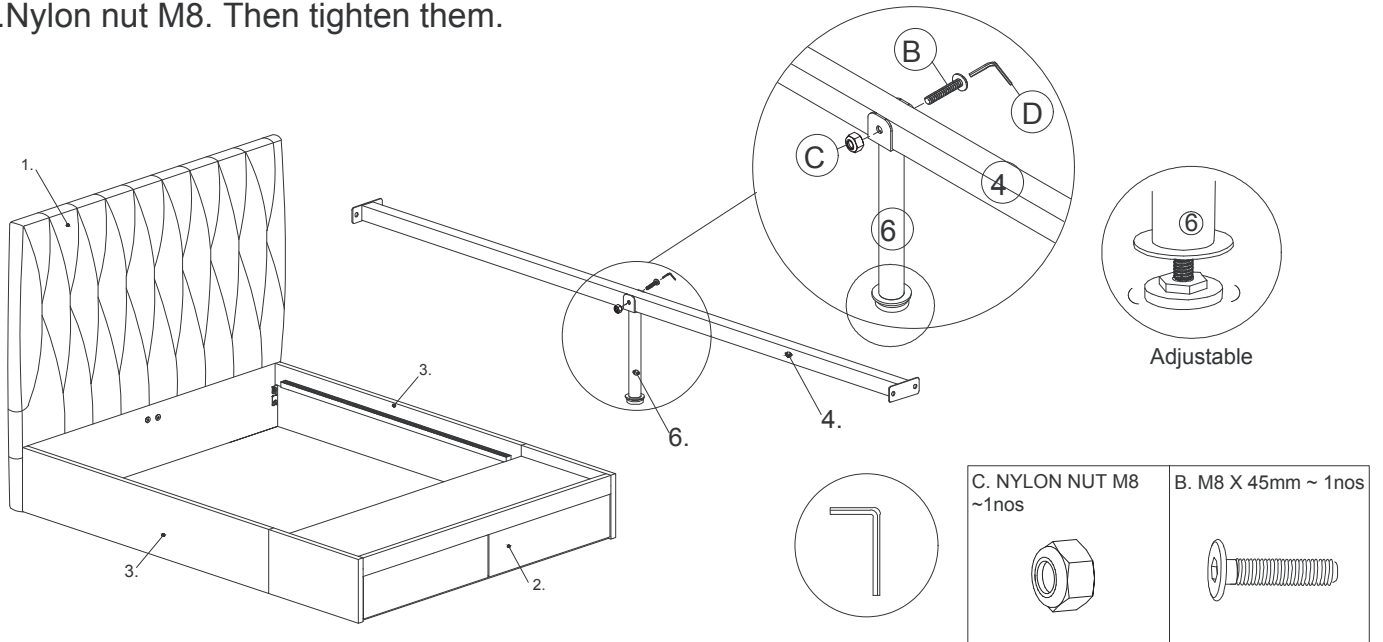
1	HEADBOARD (x 1)
2	DRAWER (x 1)
3	SIDE RAIL (x 2)
4	CENTRE RAIL 1540mm (x 1)
5	SLAT 1540mm x 62mm x 14mm (x12)
6	CENTRE SUPPORT LEG 200mm (x 1)

A Bolt  M8x25mm (Pre - assembled) 12 x A	B Bolt  M8x45mm 1 x B	C Nylon Nut  M8 1 x C	D Allen Key  M8 1 x D
---	---	--	---

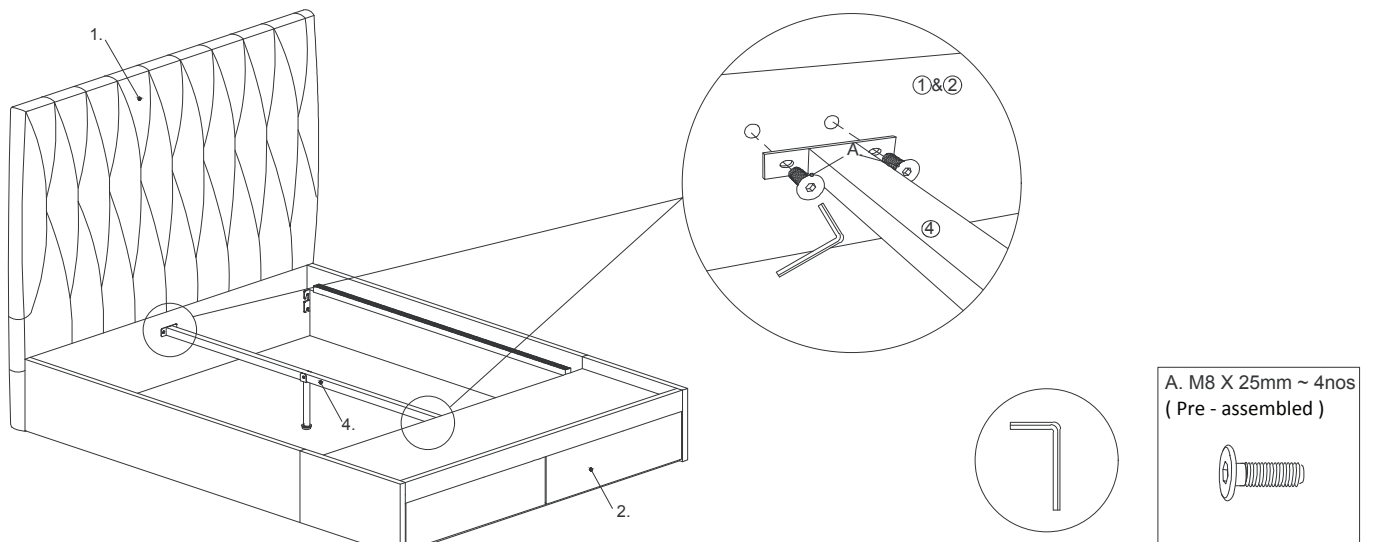
STEP 1 : Loosen the screw (A). Attach Side Rail (3) to Headboard(1) and Drawer(2) by pushing the bracket down.



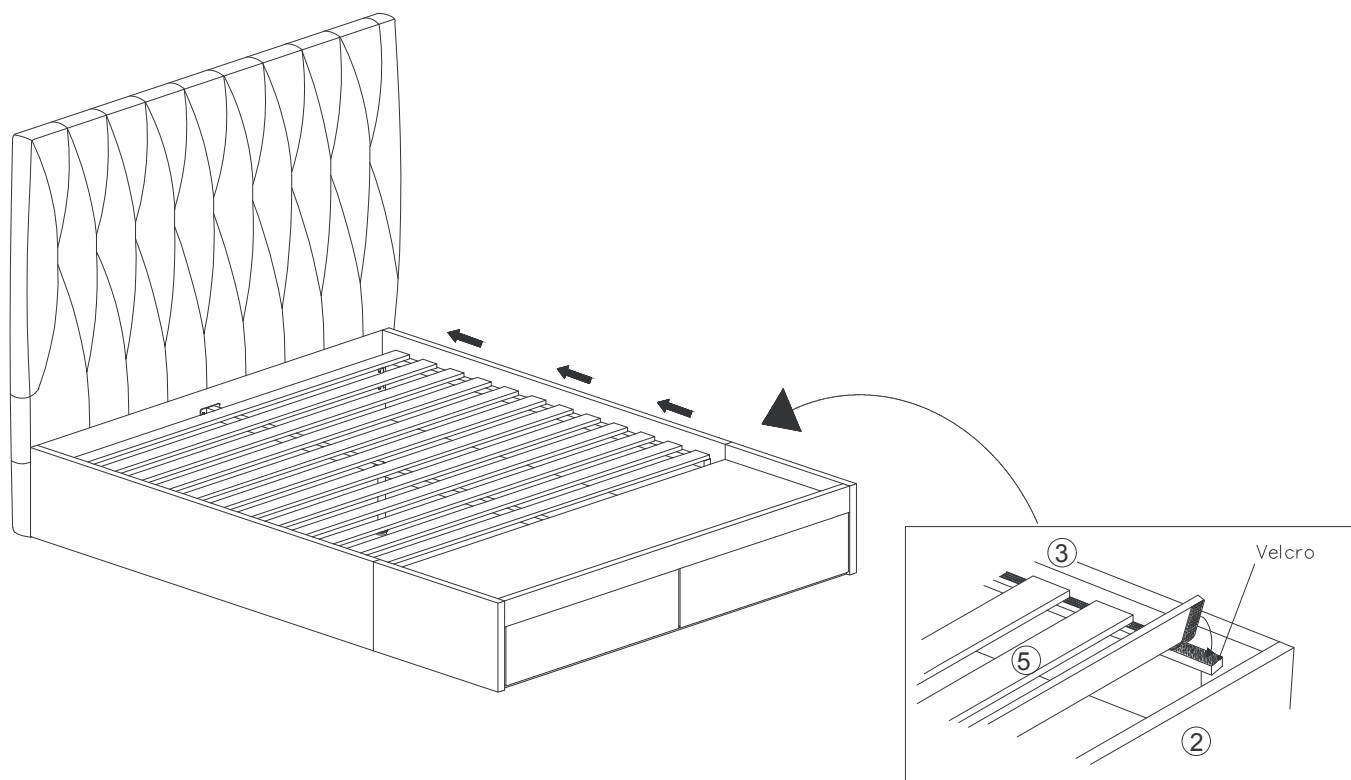
STEP 2 : Attach Centre Support Leg(6) to Centre Rail(4) using screw B.M8 X 45mm with C.Nylon nut M8. Then tighten them.



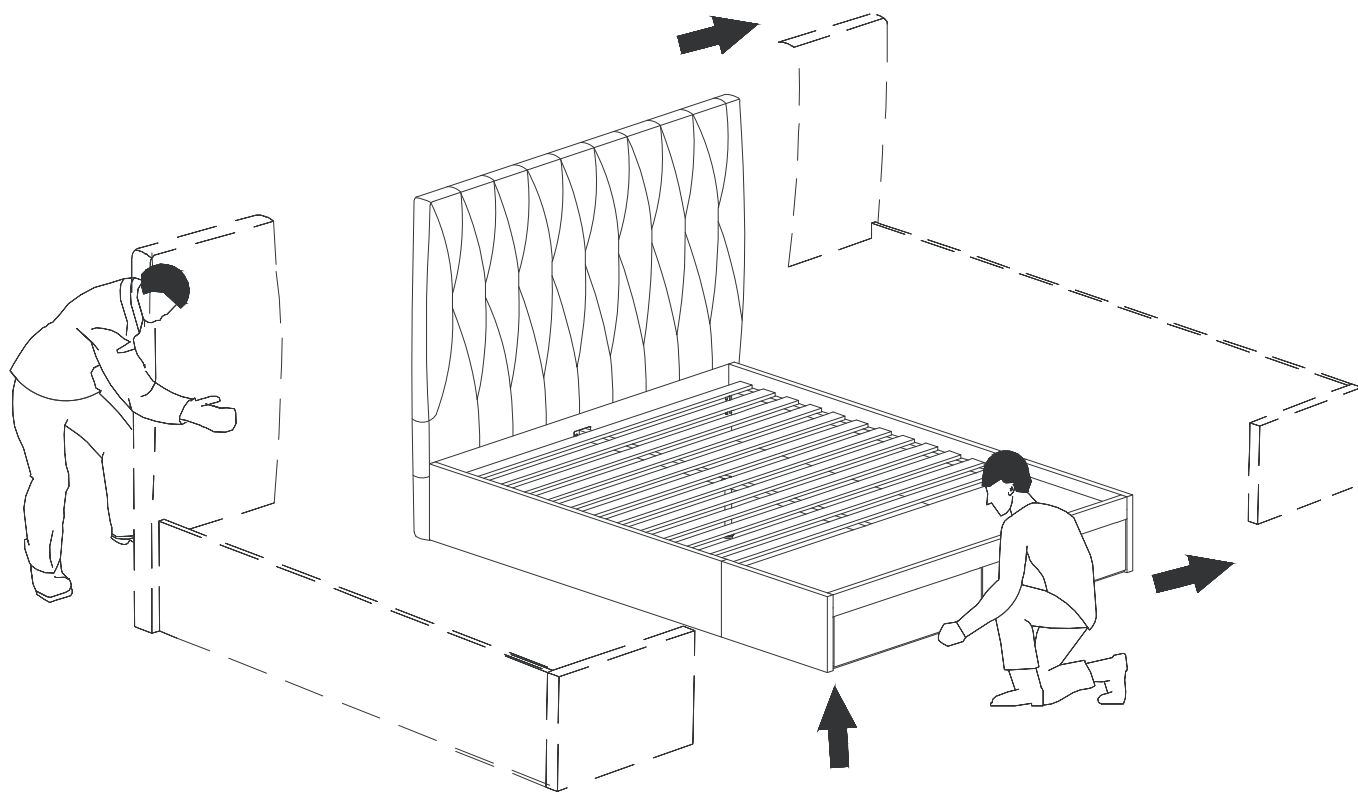
STEP 3 : Loosen and pull the screw (A) out. Attach Centre Rail(4) to Headboard(1) and Drawer(2) by screwing in clockwise direction and tighten them.



Step 4 : Secure slats (5.) to Side Rail (3.) using the velcro hook and loops System. Start from the Drawer(2.) moving towards Headboard (1.).



ASSEMBLY IS COMPLETED



Note : Please Lift up the bed to move, DO NOT push or pull the bed as this may cause the support legs to bend/break or damage to flooring.

CARE AND MAINTENANCE



Product Name: BENNY QUEEN BED

Item Code: 75094

PRODUCT CARE:

REGULAR CARE: PROTECT FROM DIRECT SUNLIGHT.
VACUUM REGULARLY USING LOW SUCTION.

CLEANING:

DO NOT WASH.
DO NOT DRY CLEAN.
DO NOT SHAMPOO CLEAN.
CLEAN WITH HOT-WATER EXTRACTION MACHINE.
(HOT) PROFESSIONAL CLEANING RECOMMENDED
DO NOT USE DISHWASHING OR LAUNDRY DETERGENTS.
USE ONLY UPHOLSTERY DETERGENTS.
DO NOT WET FILLING.
DRY IN SHADE AWAY FROM DIRECT HEAT AND SUNLIGHT
ALLOW TO DRY THOROUGHLY BEFORE RE-USE.

SPOT CLEANING:

DO NOT RUB.
DO NOT SPOT CLEAN WITH ANY SOLVENT.
TREAT SPILLS AND STAINS AS SOON AS POSSIBLE.
GENTLY SCRAPE ANY SOIL OR MOP ANY LIQUID FROM
THE SURFACE OF THE FABRIC.
APPLY PROPRIETARY CLEANING AGENTS STRICTLY
ACCORDING TO INSTRUCTIONS TO REMOVE THE
RESIDUE OF THE SPILL.
DO NOT SATURATE THE FABRIC OR INTERIOR WITH
WATER OR OTHER CLEANING LIQUIDS.

WARNING: APPLY ONLY WATER-BASED SOIL RESIST
(FABRIC PROTECTION) TREATMENTS. DO NOT USE
AEROSOL PRODUCTS.

Made In MALAYSIA

Imported By:

Amart Furniture Pty Ltd,
Brisbane, Qld, Australia

Item Code: 75094

Product Name: **BENNY QUEEN BED**