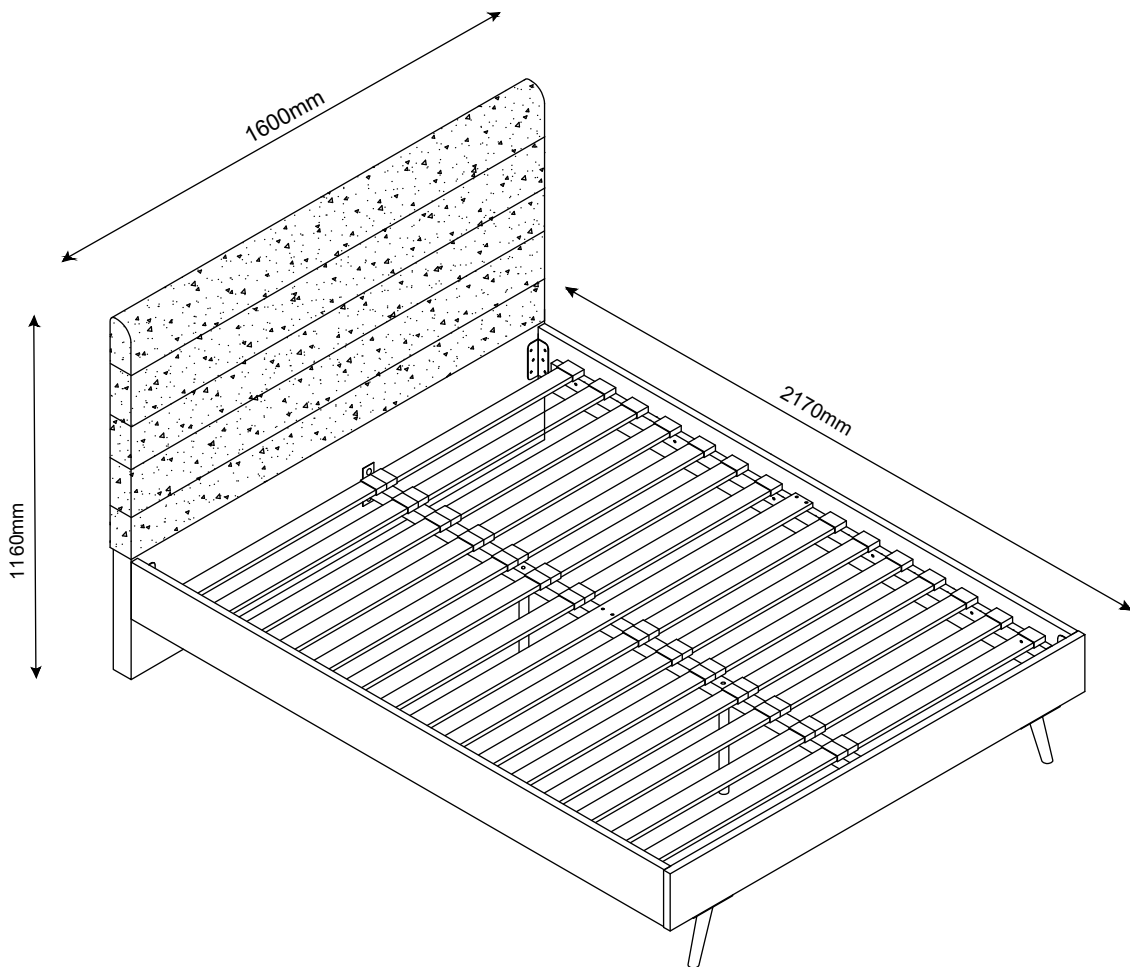




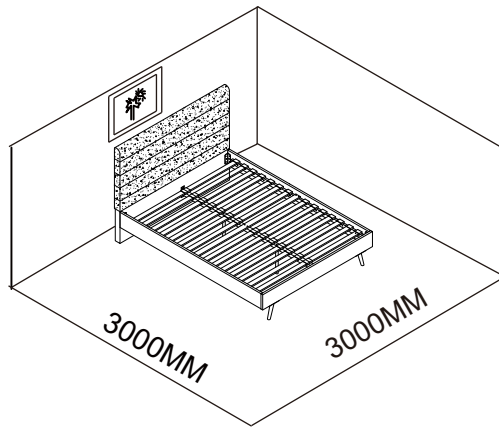
ASSEMBLY INSTRUCTION DALVIN QUEEN BED ITEM CODE 74030


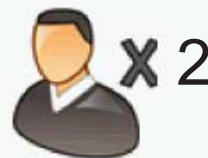


Imported by Amart Furniture Pty Ltd, Qld, Brisbane Australia.
For any assistance with assembly or for missing parts please phone
Amart Furniture, Customer Service Free call 1800 351 084



Imported by Amart Furniture Pty Ltd, Qld, Brisbane Australia.
For any assistance with assembly or for missing parts please phone
Amart Furniture, Customer Service Free call 1800 351 084

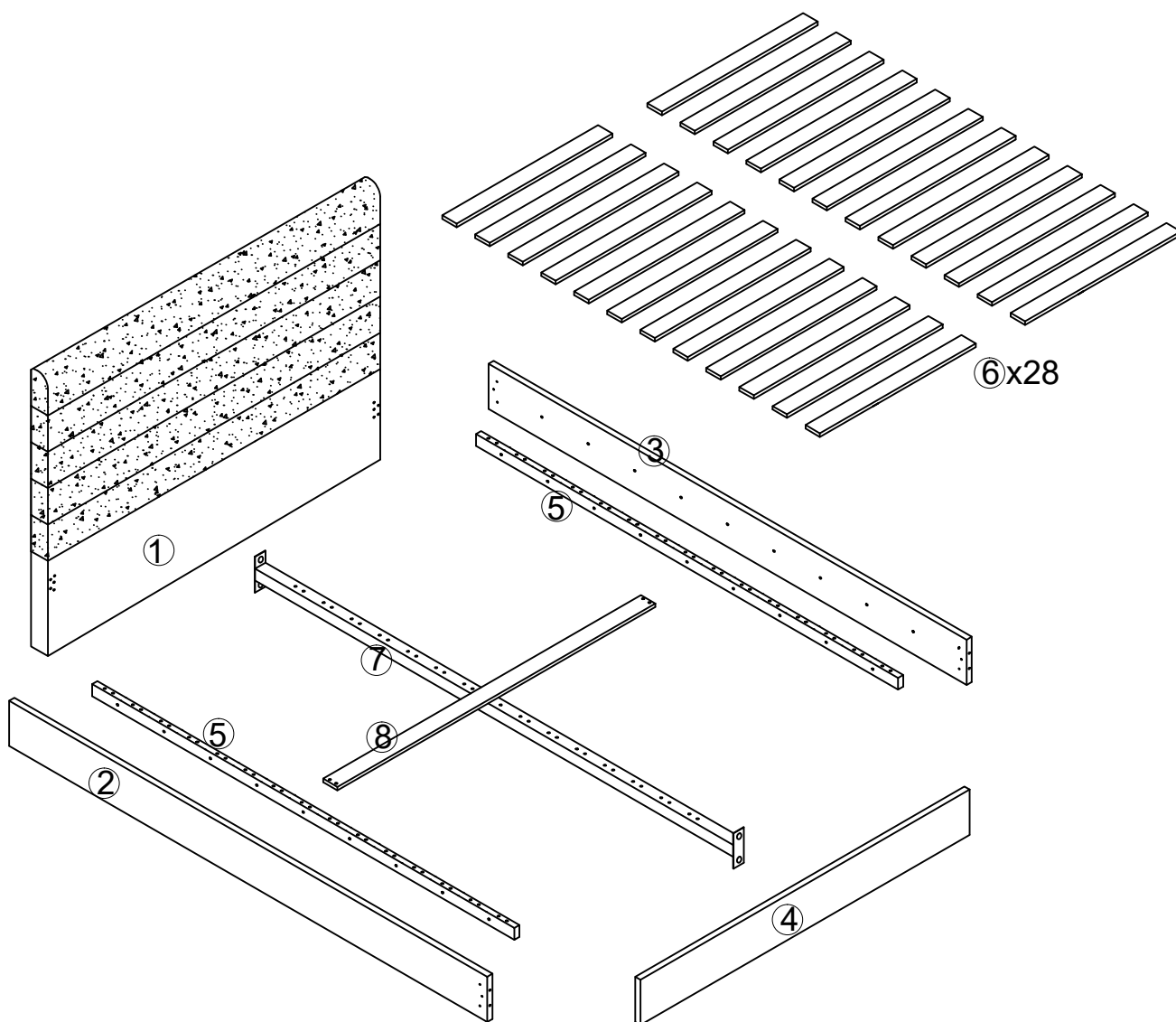




	
ALLOW 35 MINUTES	PEOPLE REQUIRED
	
ADDITIONAL TOOLS REQUIRED	

**Assembly is to be carried out by a competent adult only.
During assembly children should be kept away from the product due to possible risk of injury.
Do not use this item if any components are missing or damaged.
Please keep these instructions for future reference.**

EXPLODED EXAMPLE



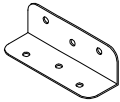
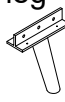




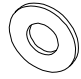


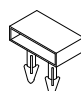
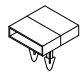
1	HEADBOARD	5	METAL RAILS
2	LEFT RAIL	6	WOODEN SLATS
3	RIGHT RAIL	7	SUPPORT RAIL
4	FOOTBOARD	8	CROSS SUPPORT

CHECKLIST

Before you start.....

1. Choose a clean, level, spacious assembly area. Avoid hard surfaces that may damage the product.
2. Check and ensure that you have all required contents for complete assembly.
3. Always read the assembly instructions carefully before beginning assembly.
4. The packaging and contents can be a choking hazard. Please keep out of reach of small children at all times.
5. Do not over tighten the bolts as this may damage the thread.



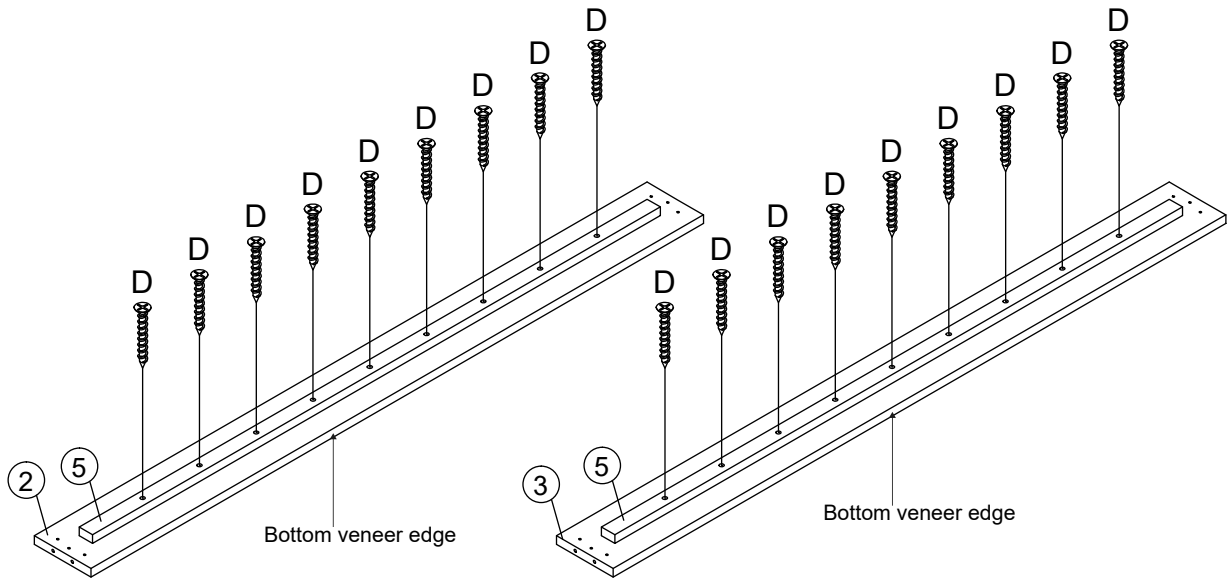
<p>A <input type="checkbox"/></p> <p>metal bracket</p>  <p>4xA</p>	<p>B <input type="checkbox"/></p> <p>leg</p>  <p>2xB</p>	<p>C <input type="checkbox"/></p> <p>dowel</p>  <p>M12x60mm 8xC</p>	<p>D <input type="checkbox"/></p> <p>screws</p>  <p>M4x35mm 22xD</p>	<p>E <input type="checkbox"/></p> <p>screws</p>  <p>M6x18mm 42xE</p>
<p>F <input type="checkbox"/></p> <p>Spring washer</p>  <p>34xF</p>	<p>G <input type="checkbox"/></p> <p>Washer</p>  <p>34xG</p>	<p>H <input type="checkbox"/></p> <p>allen key</p>  <p>1xH</p>	<p>N <input type="checkbox"/></p> <p>leg</p>  <p>2xN</p>	<p>O <input type="checkbox"/></p> <p>plastic buckle</p>  <p>28xO</p>
<p>P <input type="checkbox"/></p> <p>plastic connector</p>  <p>14xP</p>				

PART NUMBER	QTY	DIMENSIONS (MM)
1	1	1600x1160x120
2	1	2050x190x25
3	1	2050x190x25
4	1	1600x190x25
5	2	1920x20x20
6	28	77x60x9
7	1	2050x40x40
8	1	1550x70x12

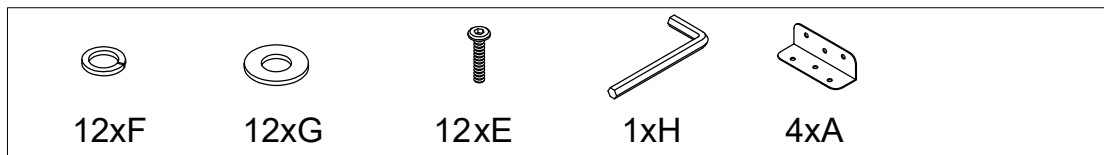
1



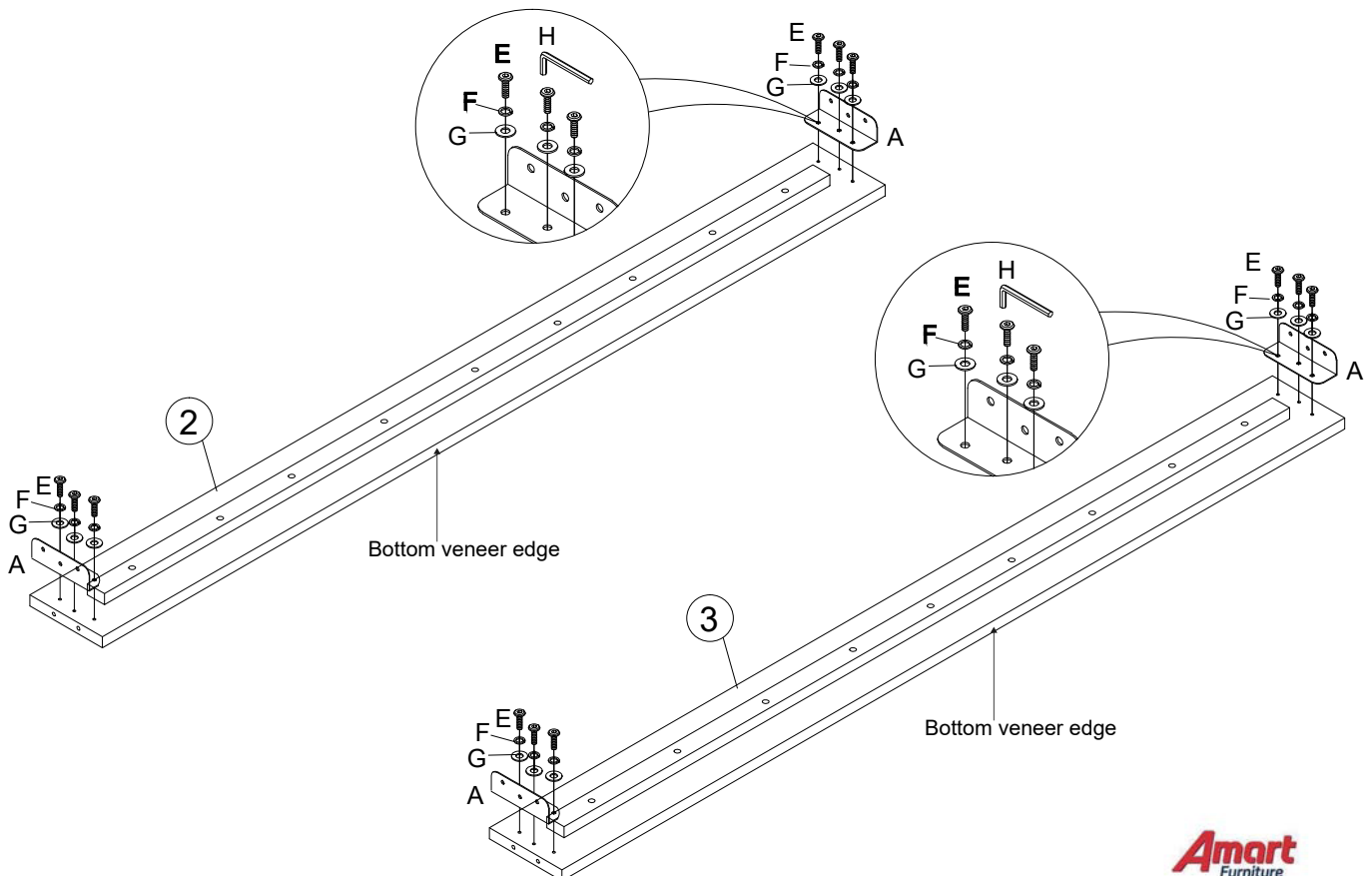
STEP 1: Fix metal rails ⑤ to left rail ② and right rail ③ using screws (D).



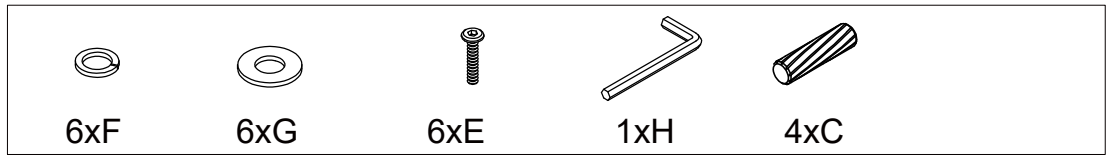
2



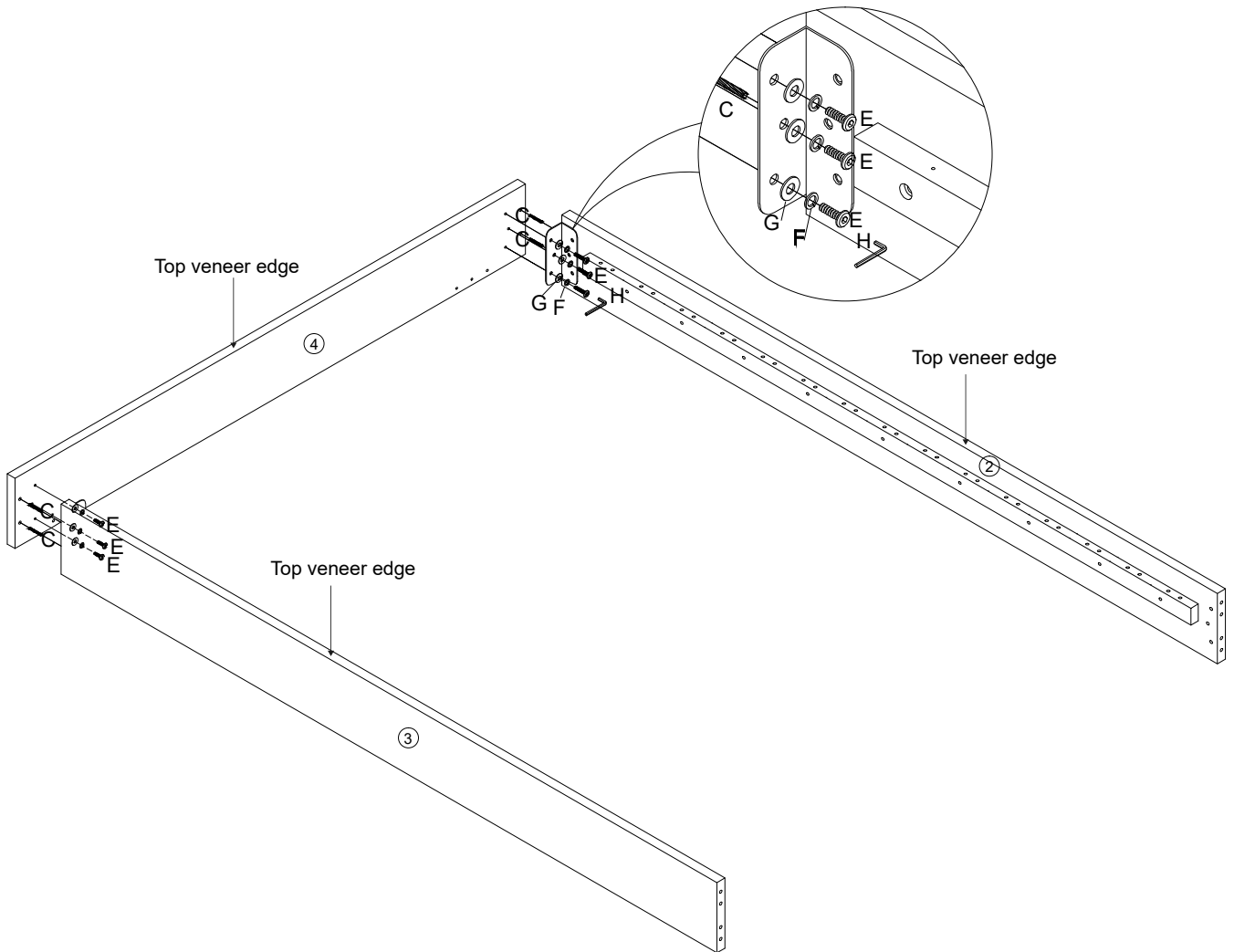
STEP 2: Fix metal brackets (A) to left rail ② and right rail ③ using screws (E), spring washers (F), washers (G) and allen key (H).



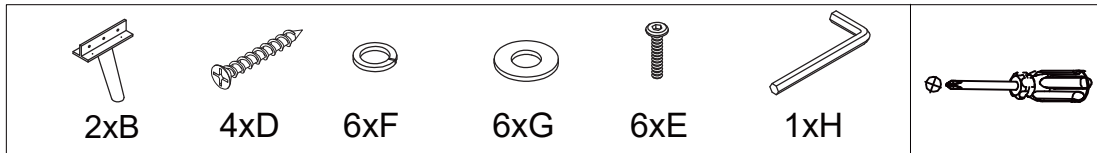
3



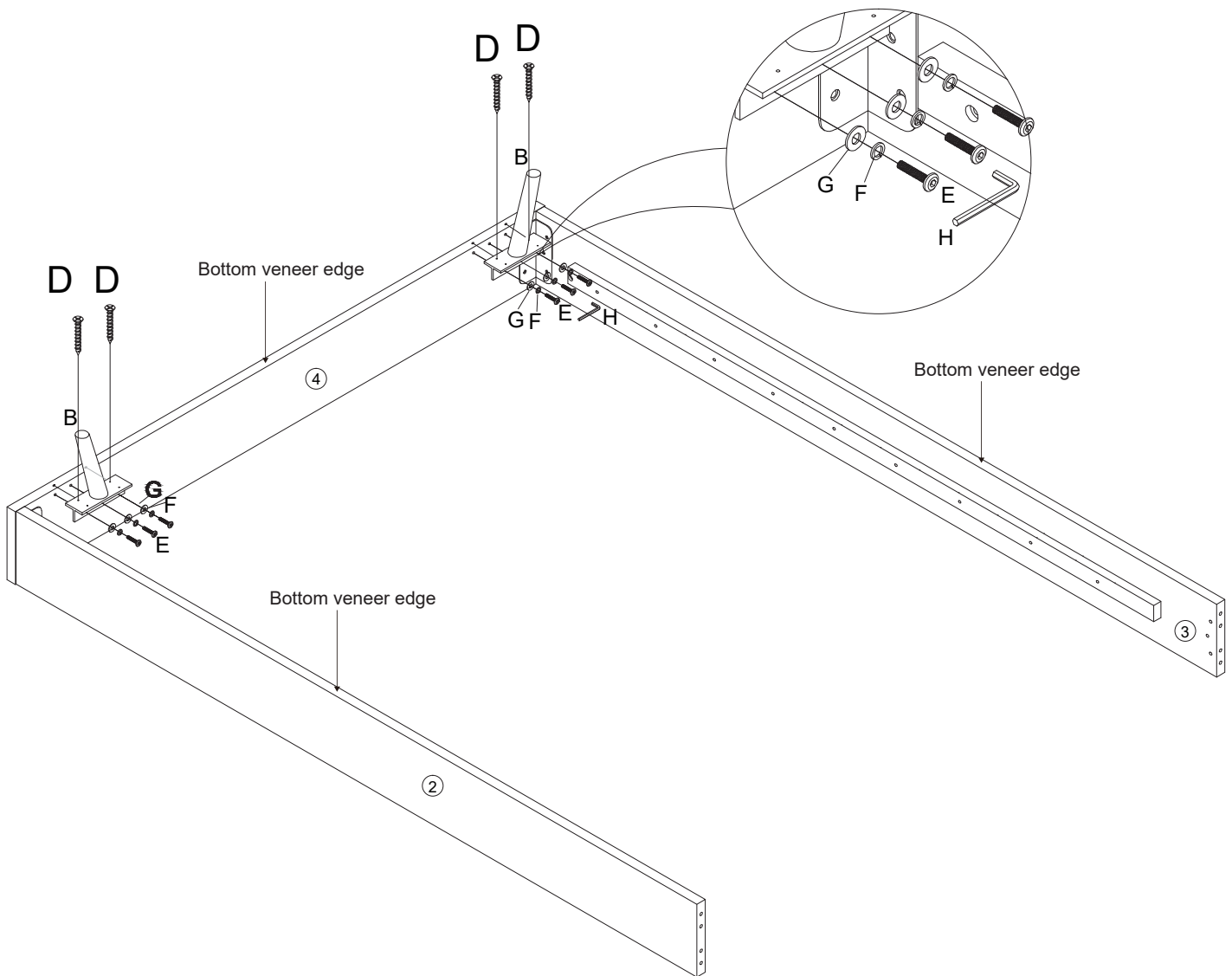
STEP 3: Insert dowels (C) to footboard ④.
Attach footboard ④ to left rail ② and right rail ③ using screws (E),
spring washers (F), washers (G) and allen key (H).



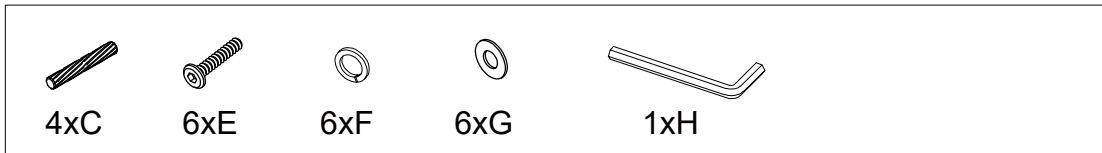
4



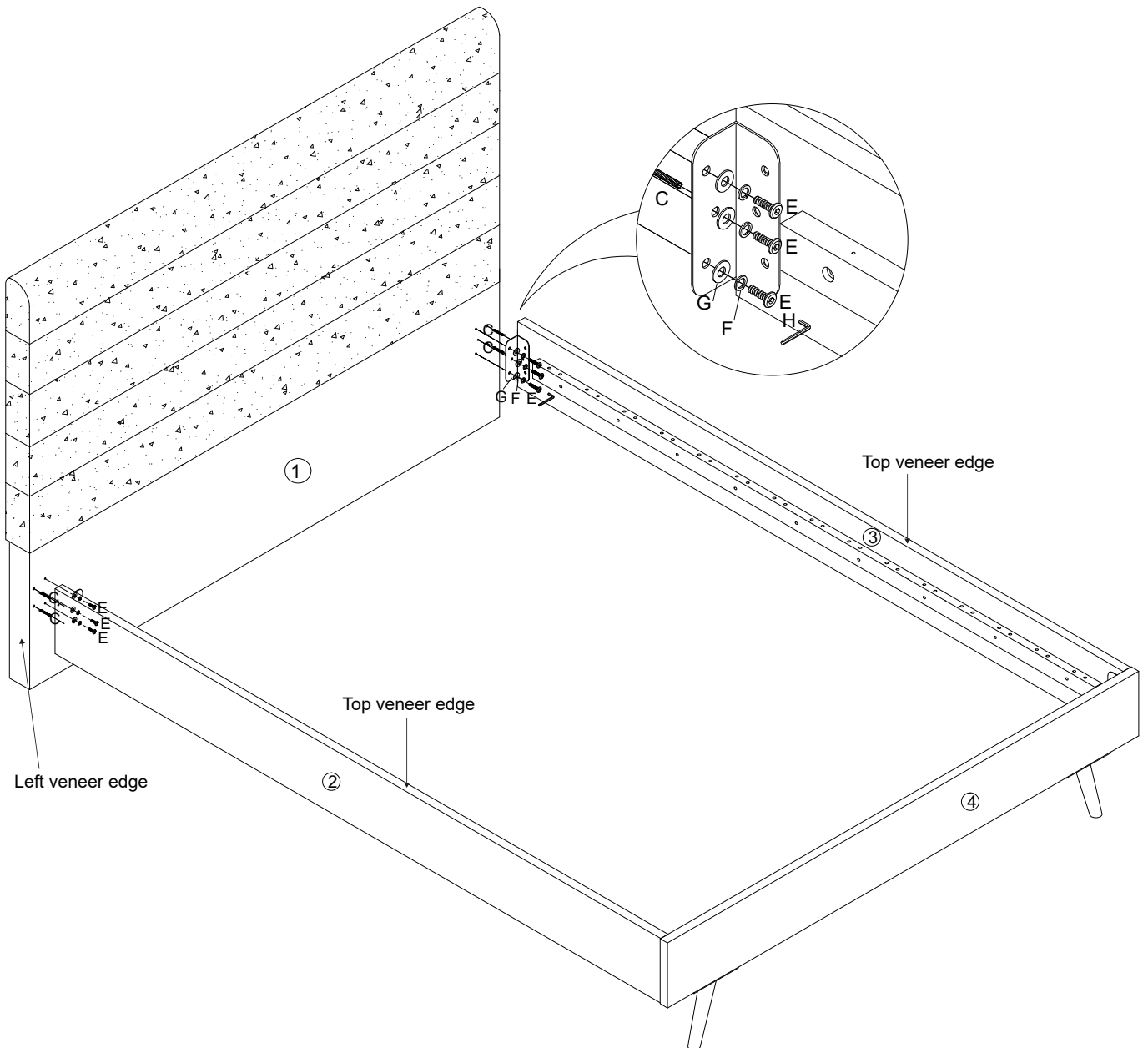
STEP 4: Fix legs (B) to the existing unit using screws (D), screws (E), spring washers (F), washers (G) and allen key (H).



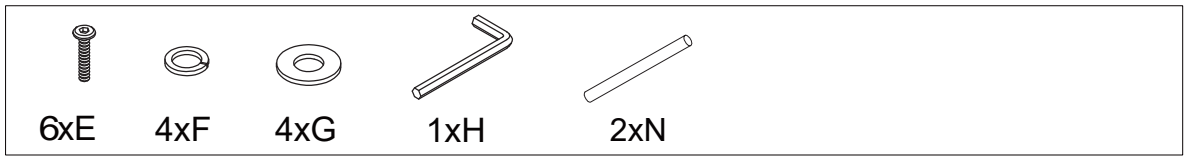
5



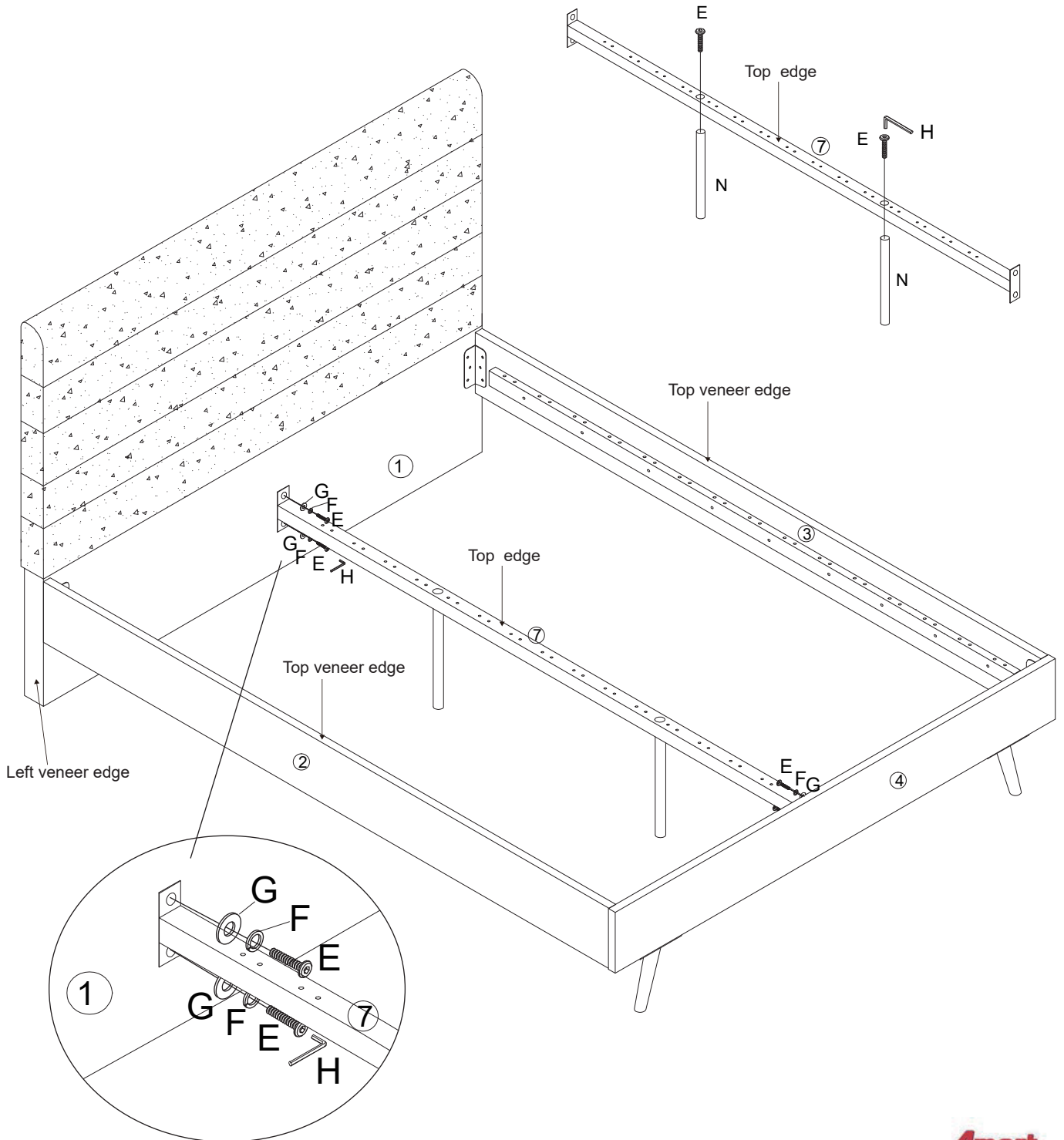
STEP 5: Insert dowels (C) to headboard ①.
Attach headboard ① to the existing unit using screws (E),
spring washers (F), washers (G) and allen key (H).



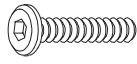
6



STEP 6: Attach legs (N) to support rail ⑦ using screws (E) and allen key (H).
Attach support rail ⑦ to headboard ① and footboard ④ using screws (E),
spring washers (F), washers (G) and allen key (H).



7

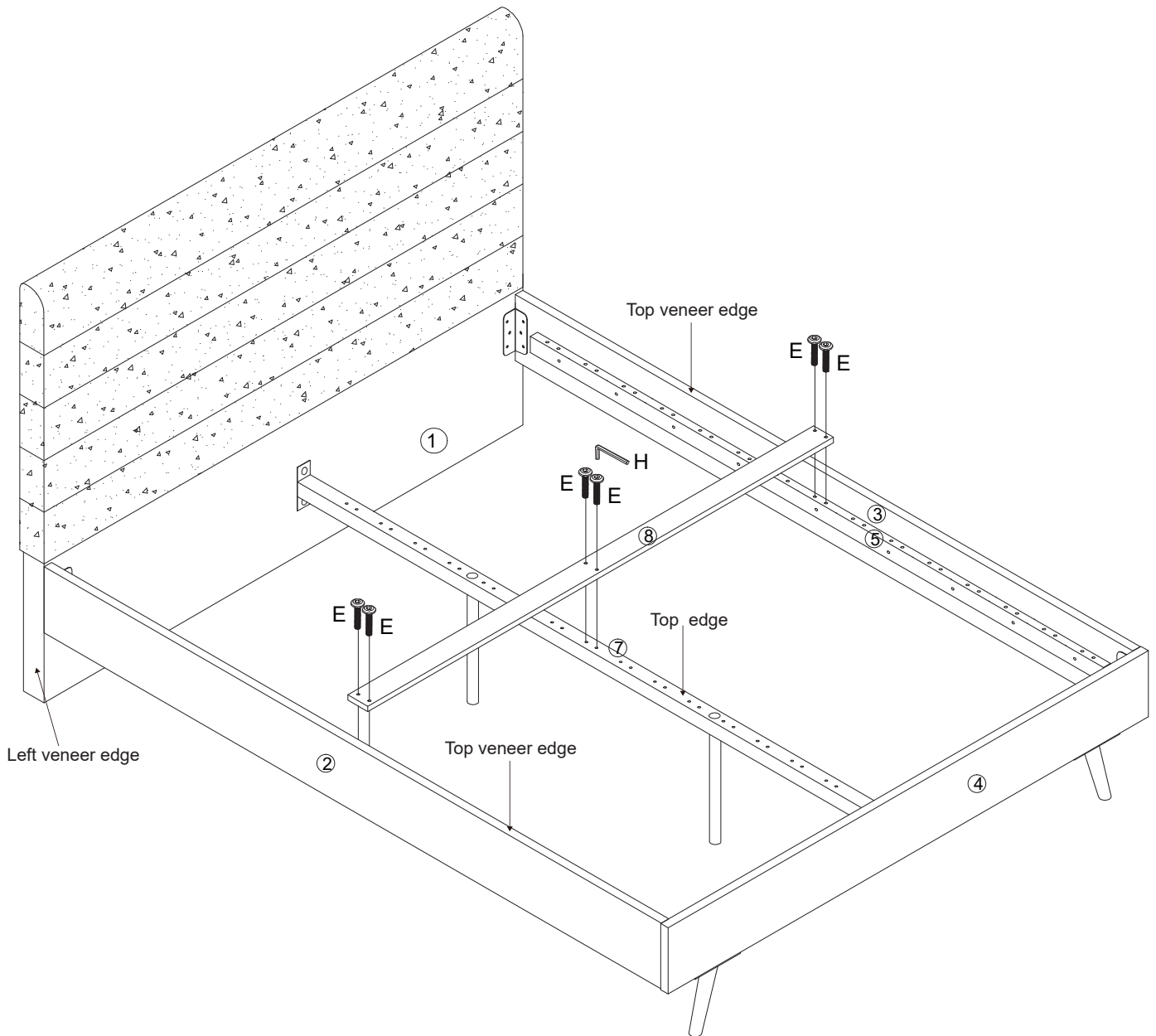


6xE



1xH

STEP 7: Attach cross support ⑧ to support rail ⑦ and Metal Rails ⑤ using screws (E) and allen key (H).



8

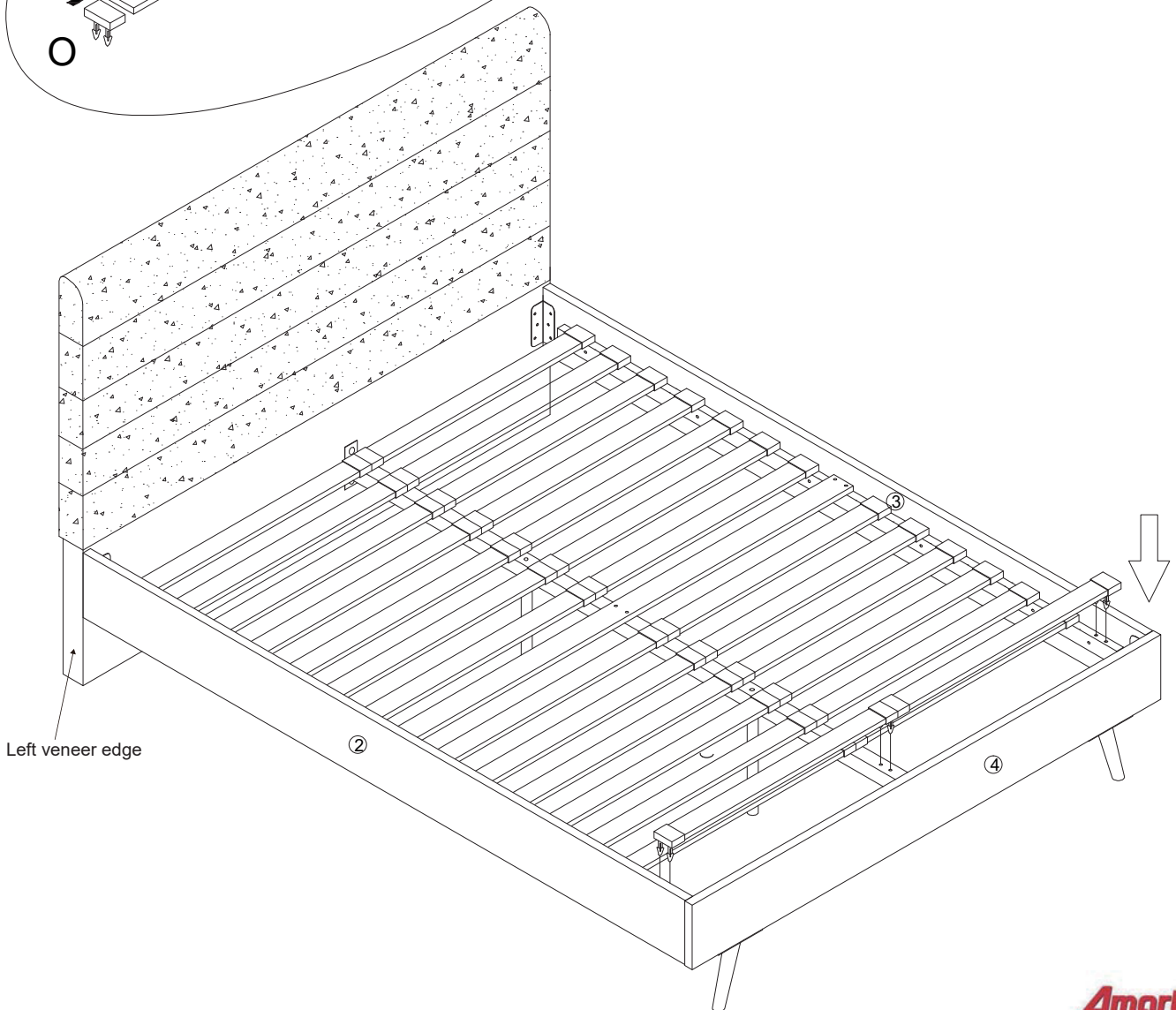
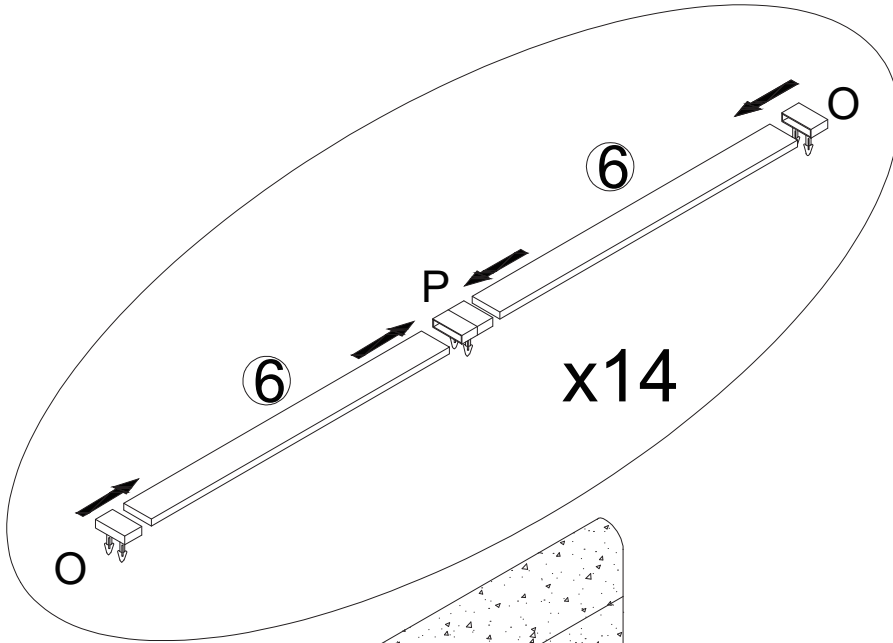


28xO

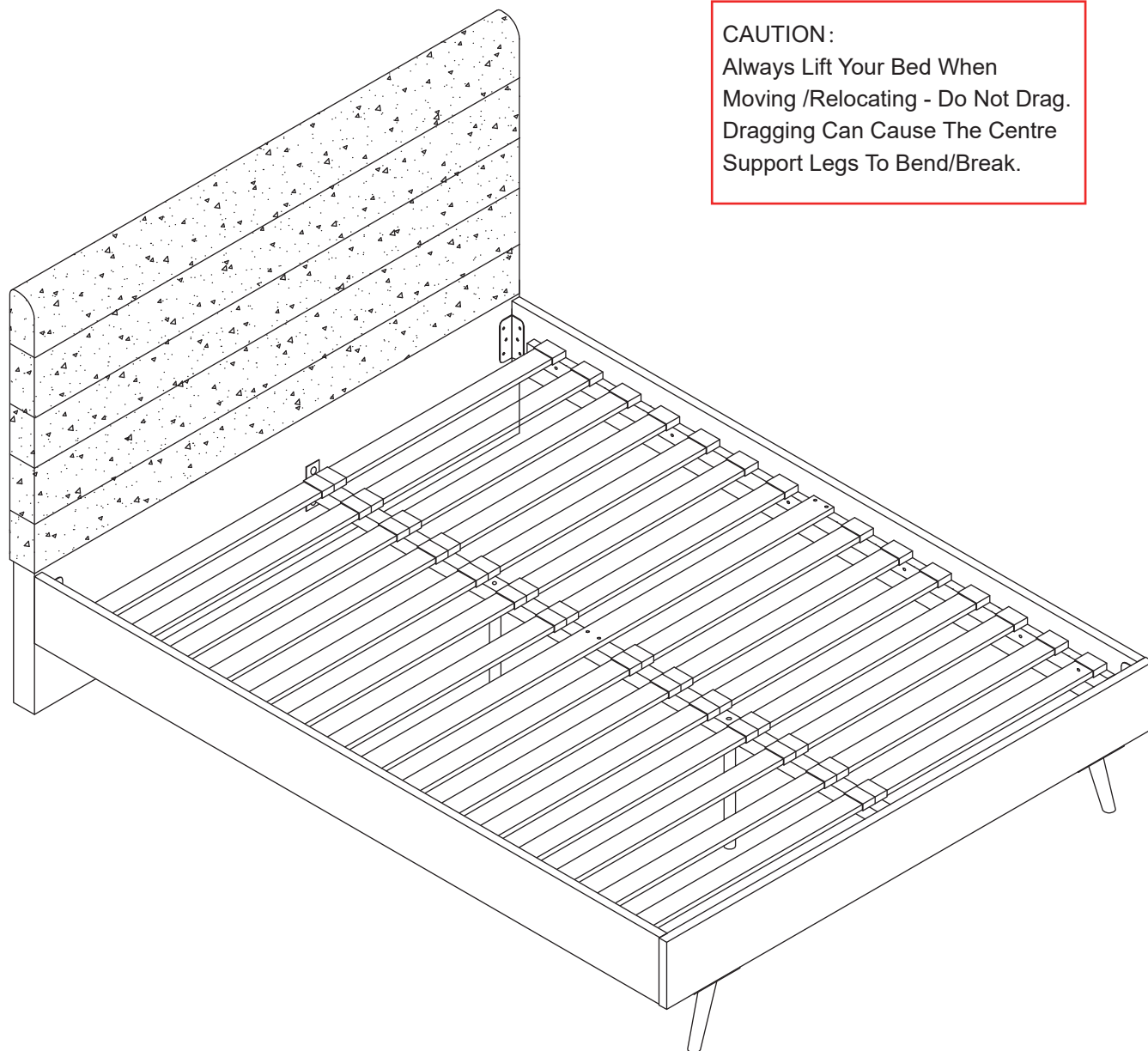


14xP

STEP 8: Attach wooden slats ⑥ using plastic connectors (P) and plastic buckles (O).



ASSEMBLY COMPLETE.



CAUTION:

Always Lift Your Bed When Moving /Relocating - Do Not Drag. Dragging Can Cause The Centre Support Legs To Bend/Break.

PRODUCT CARE:

To protect your furniture, we suggest the following:

*Avoid placing your furniture in direct sunlight.

*Do not place furniture directly under windows.

*Do not place sharp materials (knife, fork, etc) directly onto your furniture as sharp material may scrape and damage the finish.

Do not place material with high temperature directly onto the surface of your furniture.

*Protective padding is strongly recommended when using your furniture .

*Clean up spills quickly. Water left over a prolonged period of time may cause damage. Alcohol, perfume, nail polishes, aftershave and some medication may cause severe finish damage if not cleaned immediately.

*Use a clean, soft, dry, lint free absorbant cloth to clean your furniture. Do not use any detergent as they may contain ingredients that may react and damage the finish.