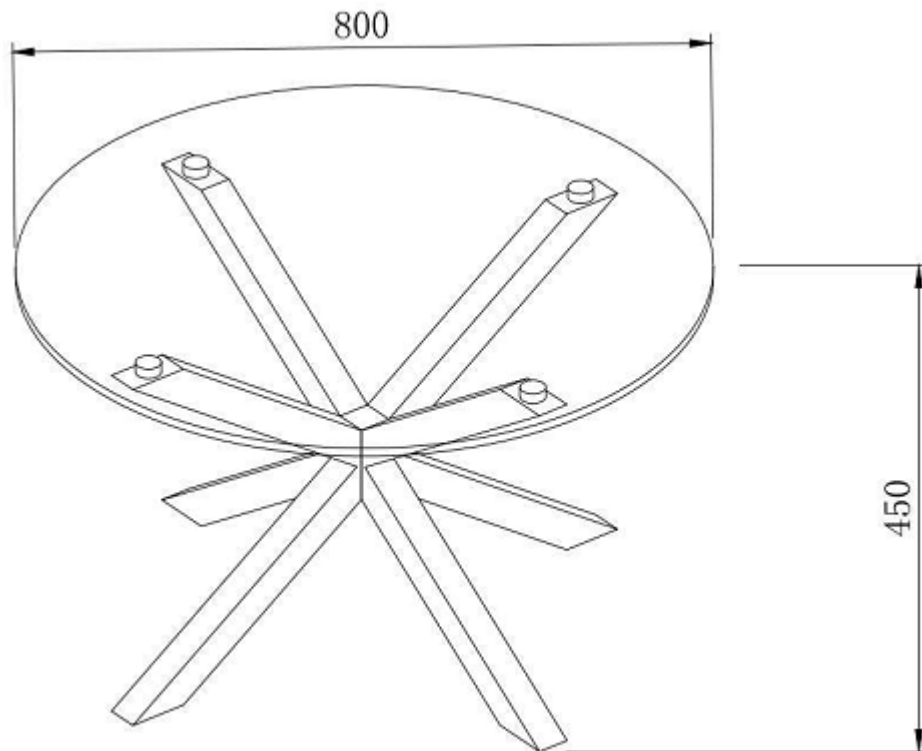




ASSEMBLY INSTRUCTION  
BOULEVARD COFFEE TABLE  
ITEM CODE 65857

Imported by Amart Furniture Pty Ltd, Qld, Brisbane Australia.  
For any assistance with assembly or for missing parts please  
phone Amart Furniture  
Customer Service Free call 1800 351 084

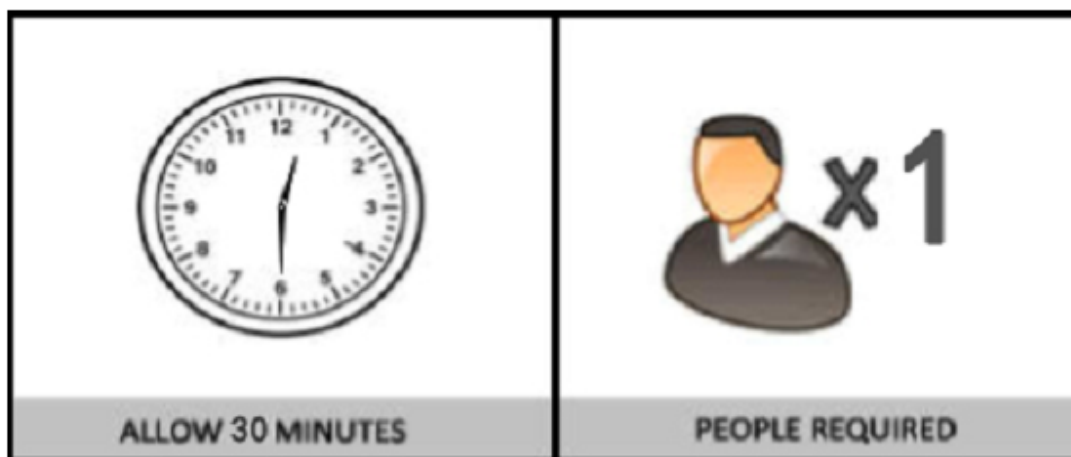


Imported by Amart Furniture Pty Ltd, Qld, Brisbane Australia.  
For any assistance with assembly or for missing parts please phone  
Amart Furniture, Customer Service Free call 1800 351 084






## PRE-ASSEMBLY PREPARATION

### Before you start:

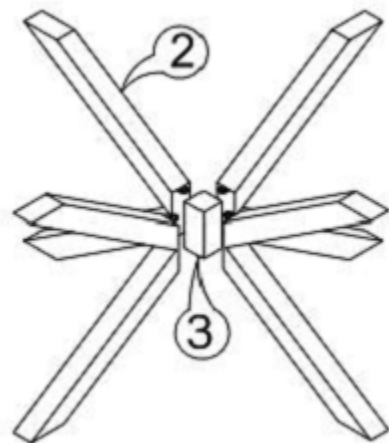
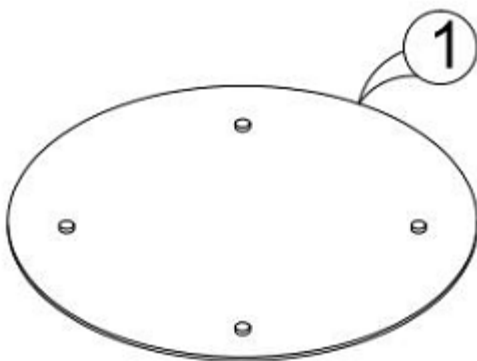
1. Choose a clean, level, spacious assembly area. Avoid hard surfaces that may damage the product
2. Take care when lifting. Product should be assembled as near as possible to the point of use
3. Ensure that you have all required contents for complete assembly
4. Always read the assembly instructions carefully before beginning assembly.
5. Keep all hardware parts and packaging out of reach of small children.
6. Do not over tighten the screws and bolts as this may damage the threads



# PARTS LIST

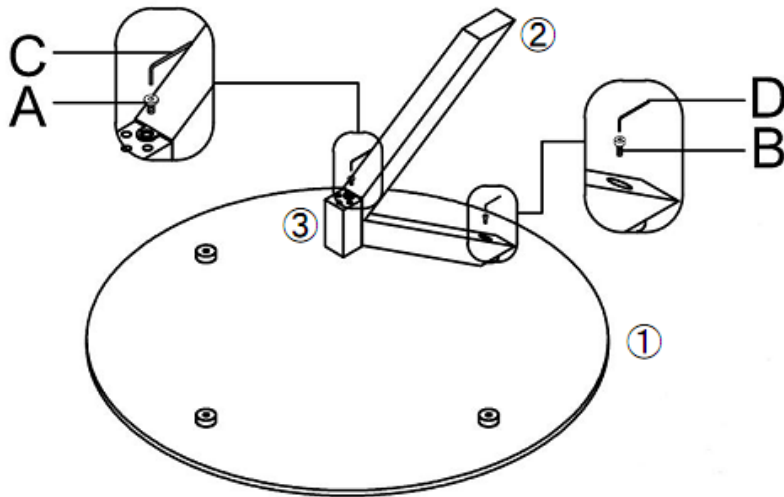
A		X4	B		X4	C		X1	D		X1
E		X4									

1	GLASS TABLE TOP
2	V-Leg
3	Connection Metal



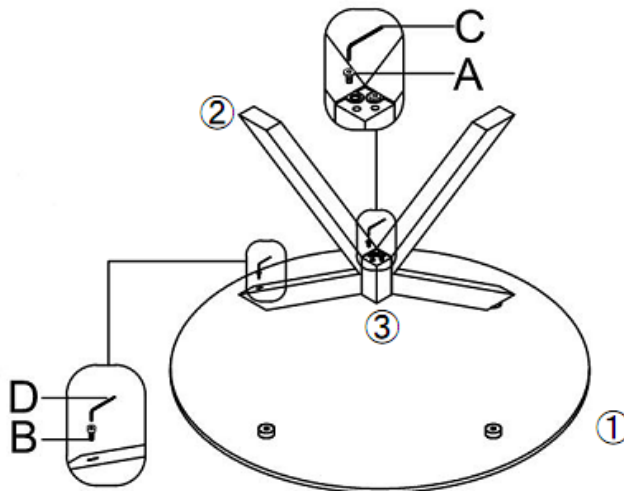
## STEP 1:

- Using Allen Key(C) loosely fasten, Connection metal ③ and one V-Leg ② with screw(A).
- Using Allen Key(D), loosely fasten the leg and the glass top ① with screw(B).
- Do not tighten the screws at this stage.



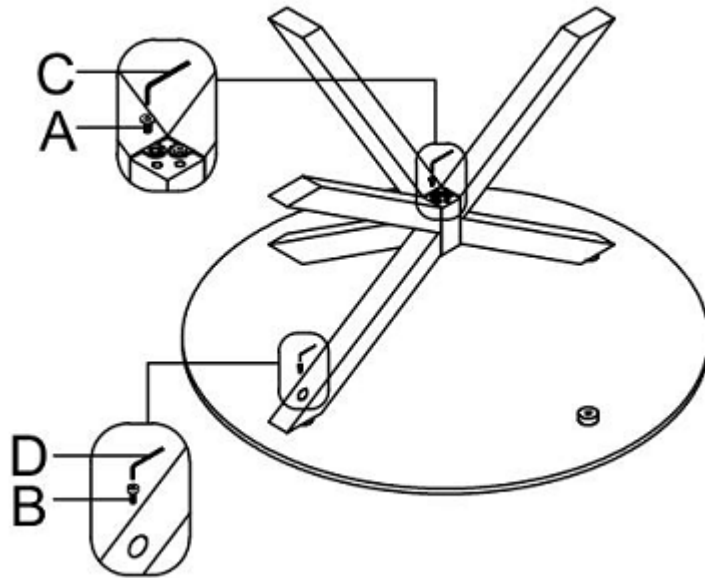
## STEP 2:

- Repeat step 1.
- Do not tighten the screws at this stage.



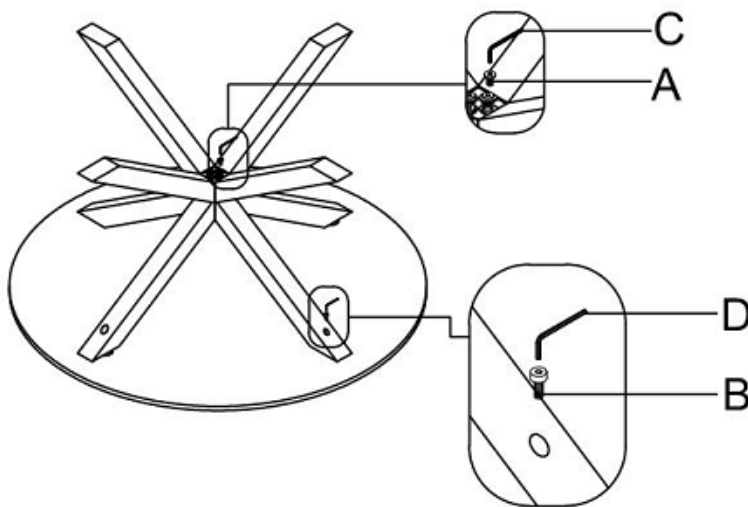
### STEP 3

- Repeat step 1.
- Do not tighten the screws at this stage.



### STEP 4

- Repeat step 1.
- Do not tighten the screws at this stage.

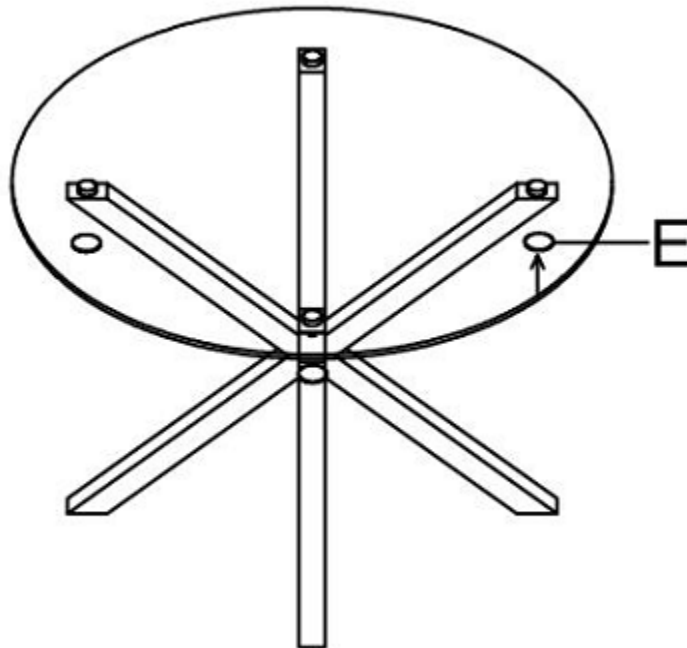


## STEP 5

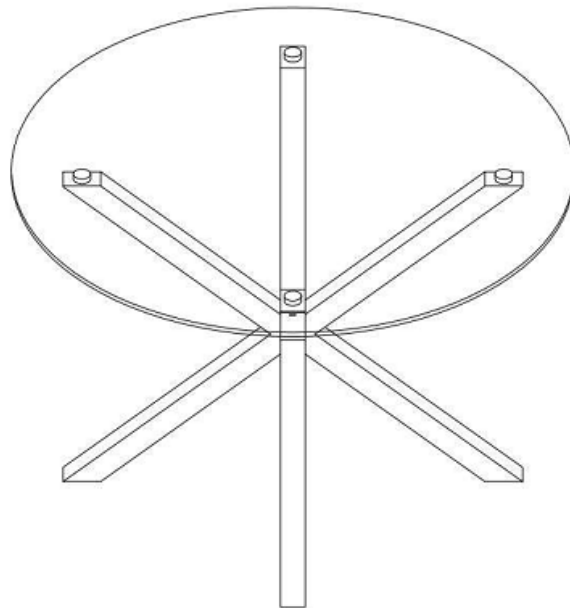
- Now, that all the screws are in place. Use Allen key(D), tighten all the (B) screws which attach the legs ② to the glass ①. Work in order of opposite corners. Tighten until firm, do not over tighten.
- Use Allen Key(C), tighten all the (A) screws, which attaches the legs to the part ③. Work in order of opposite sides. Tighten until firm, do not over tighten.

## STEP 6 (Optional)

- Use stickers(E) to mask the holes under the legs.



ASSEMBLY IS COMPLETE



## **PRODUCT CARE:**

If the glass is chipped or broken, stop using the product and consult place of purchase

### **WARNING:**

- Do not place very hot or cold items on the glass surface unless adequately thick table mats are used to prevent such items coming in contact with the glass
- Do not sit or stand upon the glass surface
- Do not use the glass as a chopping surface
- Do not strike the glass with hard or pointed items
- When cleaning the glass panels use a damp cloth or leather with washing up liquid or soft soap if necessary. Do not use washing powders or any other substances containing abrasives since these may scratch the glass

Our furniture is built to last. Following these steps for basic care should protect your investment for years to come

- Dust frequently with a clean damp lint-free cloth. This will help remove abrasive build up which can damage a finish over time
- Avoid exposing your furniture to strong sunlight, heat outlet, open windows or dampness. Prolonged exposure to direct sunlight can fade the finish of your furniture, while extreme temperature and humidity changes can cause cracking or splitting
- Do not allow plastic to come in direct contact with your furniture. Chemicals in the plastic of placemats etc. may soften and mark the finish if left in contact with the furniture for a period of time