



## ASSEMBLY INSTRUCTION

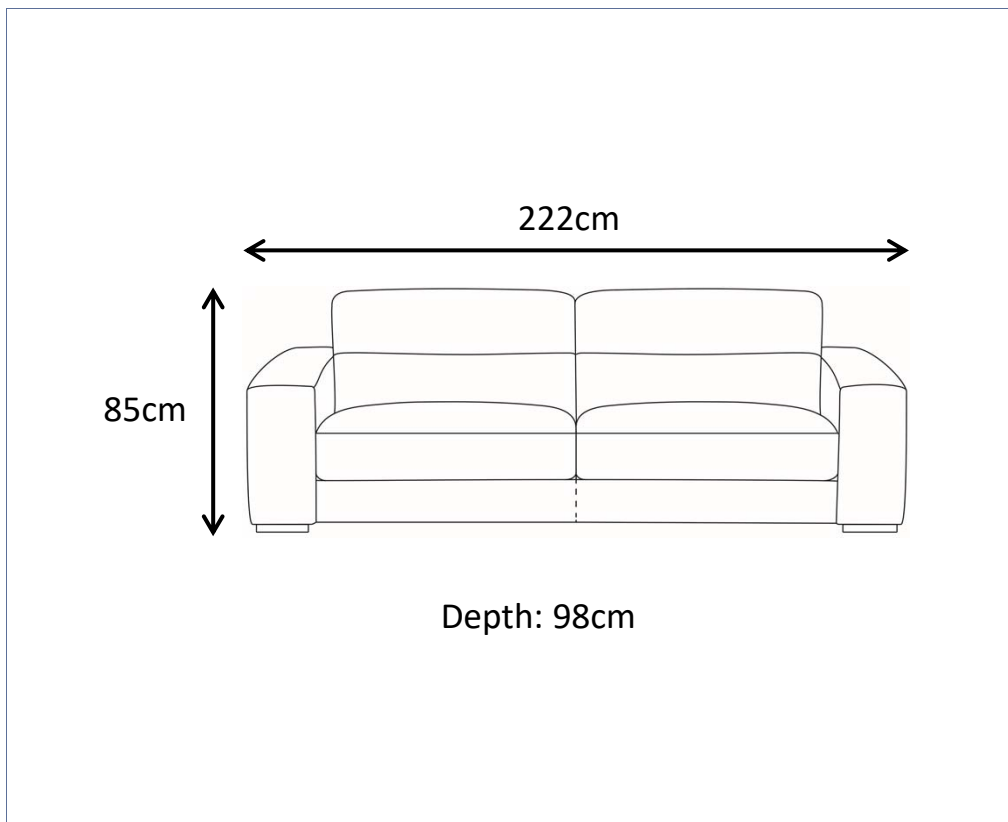
ELLYSE 2.5 SEATER

ITEM CODE 80337

Imported by Amart Furniture Pty Ltd, Qld, Brisbane Australia.

For any assistance with assembly or for missing parts please phone

Amart Furniture, Customer Service Free call 1800 351 084



Imported by Amart Furniture Pty Ltd, Qld, Brisbane Australia.



For any assistance with assembly or for missing parts please phone

Amart Furniture, Customer Service Free call 1800 351 084


## PRE-ASSEMBLY PREPARATION

### Before you start:

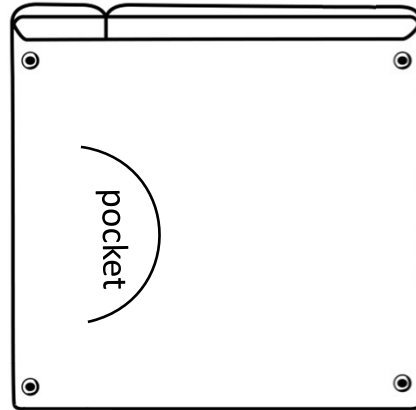
1. Choose a clean, level, spacious assembly area. Avoid hard surfaces that may damage the product
2. Take care when lifting. Product should be assembled as near as possible to the point of use
3. Ensure that you have all required contents for complete assembly
4. Always read the assembly instructions carefully before beginning assembly.
5. Keep all hardware parts and packaging out of reach of small children.
6. Do not over tighten the screws and bolts as this may damage the threads

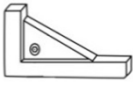






	
ALLOW 15MINUTES	PEOPLE REQUIRED
ADDITIONAL TOOLS REQUIRED	

Step1: Locate package of sofa legs with fittings that is placed into zipper pocket at the bottom of LHF Chair.

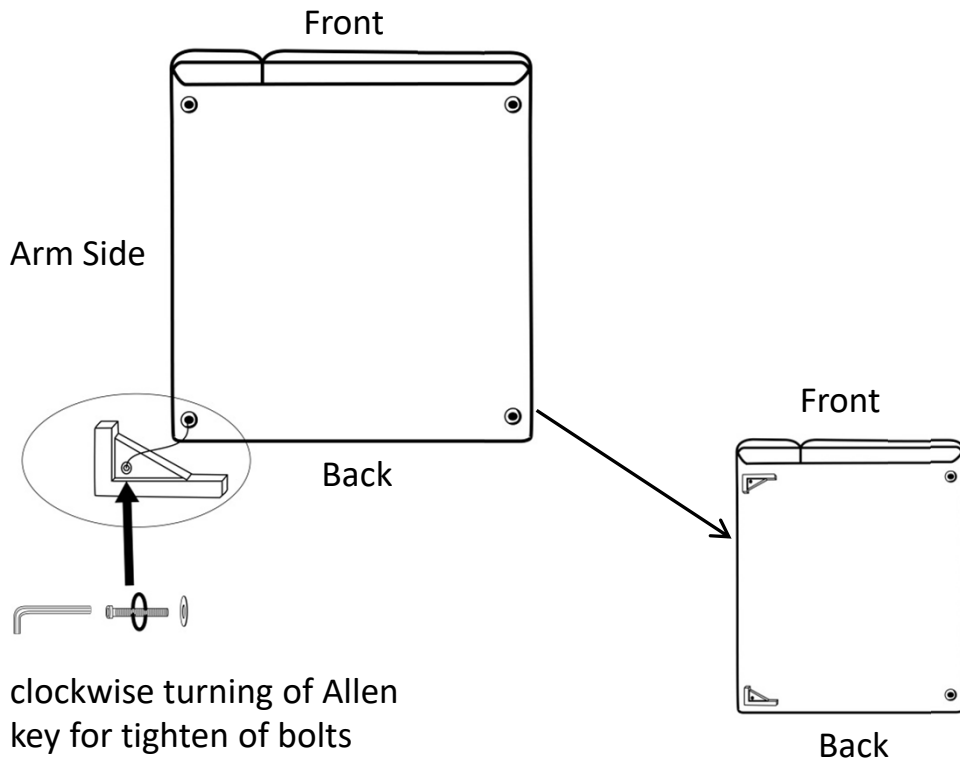


With 2 people,  
carefully turn  
lounge onto  
back of a piece of  
cardboard or carpet  
to protect covering

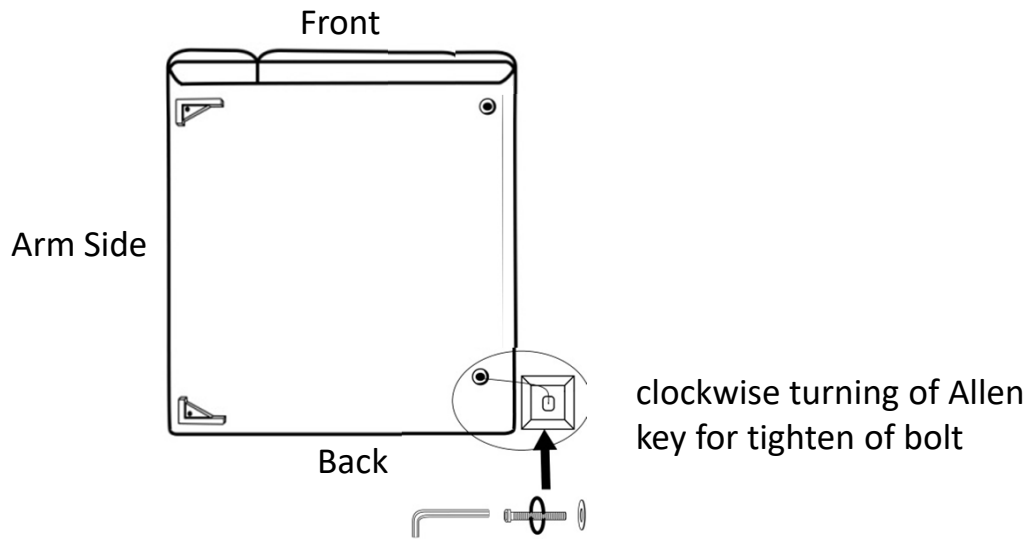


<p>a. Sofa Leg  1pairs</p>	<p>b. Plastic Leg  2pcs</p>	<p>c. Bolt M8X50  4pcs</p>	<p>d. Washer 18*8.5*2mm  4pcs</p>	<p>e. Allen key  1pcs</p>
<p>f. Bolt M8X60  2pcs</p>	<p>g. Washer 25*8.5*2mm  2pcs</p>			

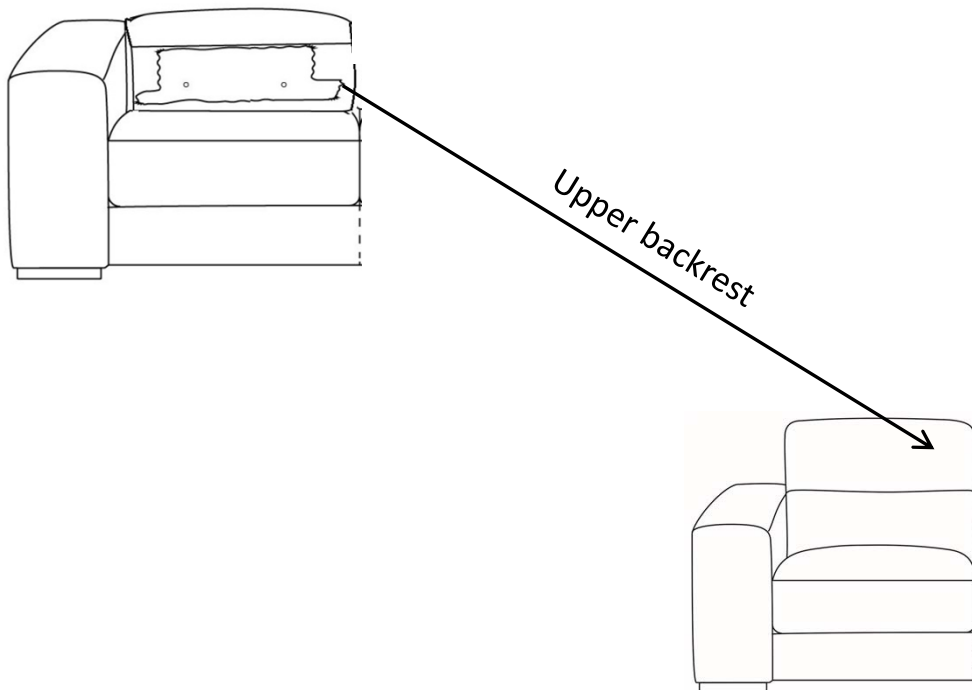
Step2: Tighten the pair of sofa legs (a) to the bottom of LHF Chair with bolts (c) and washers (d) by Allen key (e).



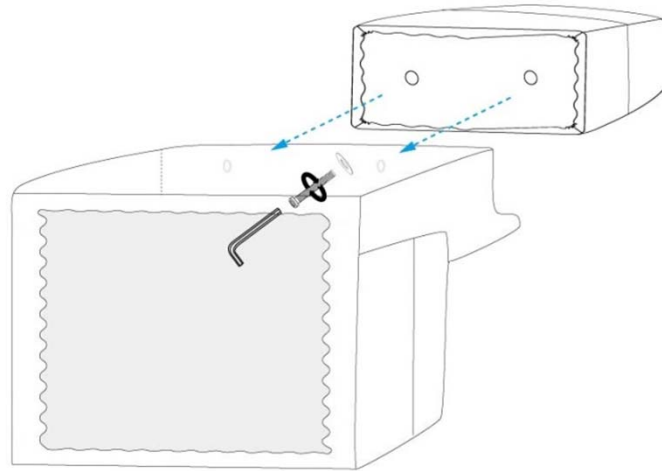
Step3: Tighten the plastic legs (b) to the bottom of LHF Chair with bolts (c) and washers (d) by Allen key (e).



Step4: Locate the upper backrest that is placed on seat cushion of the LHF Chair.

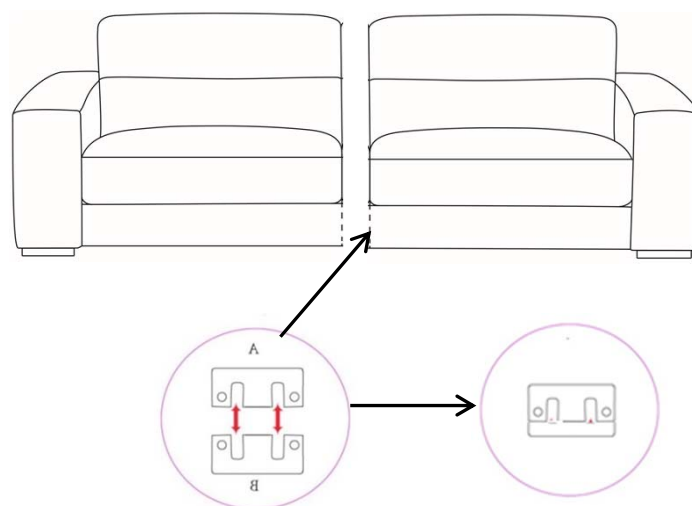


Step5: Tighten the upper backrest to the lower backrest of LHF Chair with bolts (f) and washers (g) by Allen key (e).



Step6: Repeat steps 1-5 for RHF Chair assembly.

Step7: Connect the right hand facing chair to the left hand facing chair. Slide the base clips together then press the front and rear sides to ensure the clips are connected all the way to the bottom.



# CARE AND MAINTENANCE

## FABRIC CARE

REGULAR CARE: PROTECT FROM DIRECT SUNLIGHT.  
VACUUM REGULARLY USING LOW SUCTION.  
ROTATE REVERSIBLE CUSHIONS REGULARLY.

### CLEANING:

DO NOT REMOVE CUSHION COVERS FOR SEPARATE  
CLEANING EVEN THOUGH THEY HAVE ZIPPERS.

DO NOT WASH

DO NOT DRY CLEAN

DO NOT SHAMPOO CLEAN

CLEAN WITH HOT-WATER EXTRACTION MACHINE.

(HOT) PROFESSIONAL CLEANING RECOMMENDED.

DO NOT USE DISHWASHING OR LAUNDRY DETERGENTS.

USE ONLY UPHOLSTERY DETERGENTS

DO NOT WET FILLING

DRY IN SHADE AWAY FROM DIRECT HEAT AND SUNLIGHT

ALLOW TO DRY THOROUGHLY BEFORE RE-USE

### SPOT CLEANING:

DO NOT RUB

DO NOT SPOT CLEAN WITH ANY SOLVENT.

TREAT SPILLS AND STAINS AS SOON AS POSSIBLE.

GENTLY SCRAPE ANY SOIL OR MOP ANY LIQUID FROM THE SURFACE OF THE  
FABRIC.

APPLY PROPRIETARY CLEANING AGENTS STRICTLY  
ACCORDING TO INSTRUCTIONS TO REMOVE THE  
RESIDUE OF THE SPILL.

DO NOT SATURATE THE FABRIC OR INTERIOR WITH  
WATER OR OTHER CLEANING LIQUIDS.

WARNING: APPLY ONLY WATER-BASED SOIL RESIST  
(FABRIC PROTECTION) TREATMENTS. DO NOT USE  
AEROSOL PRODUCTS.