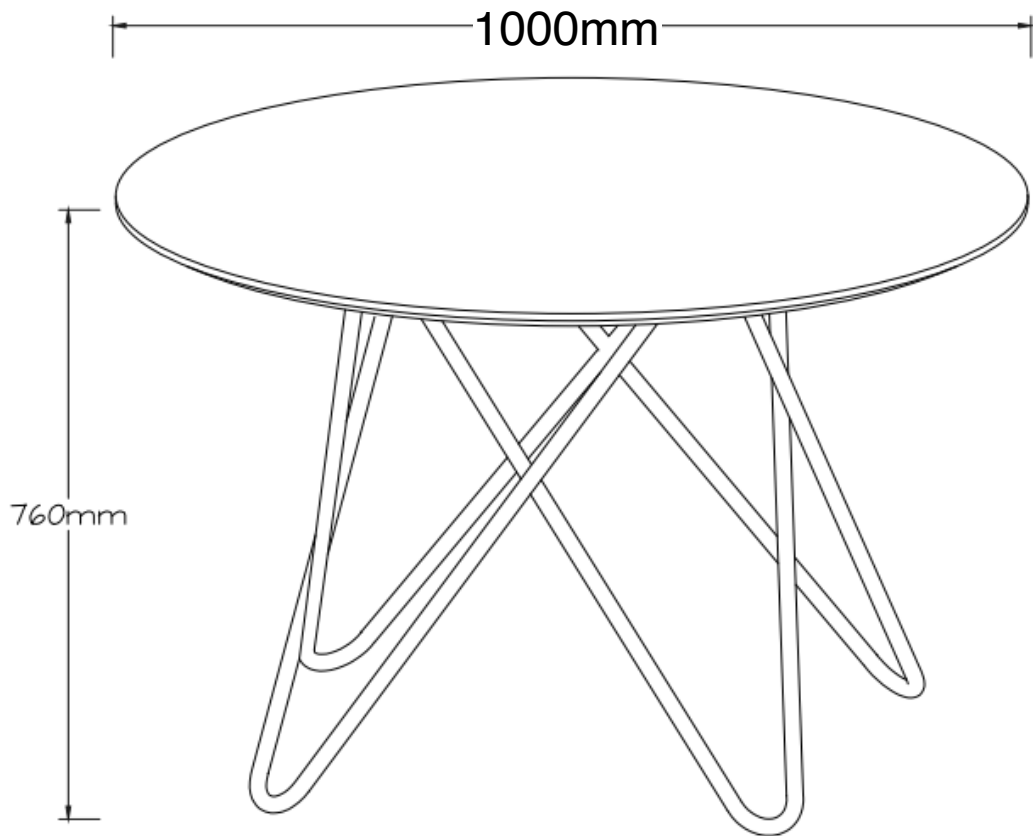


ASSEMBLY INSTRUCTION

Talence

Round dining table

ITEM CODE: 71474

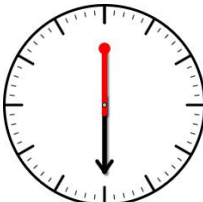
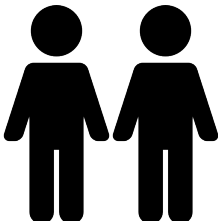


Imported by JWA Furniture Pty Ltd, Qld, Brisbane Australia.
For any assistance with assembly or for missing parts please refer to your receipt





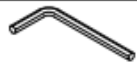
PRE-ASSEMBLY PREPARATION

Before you start:

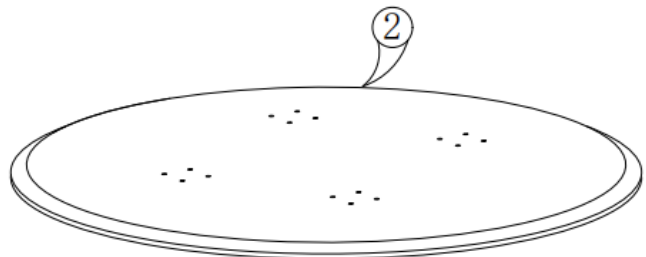
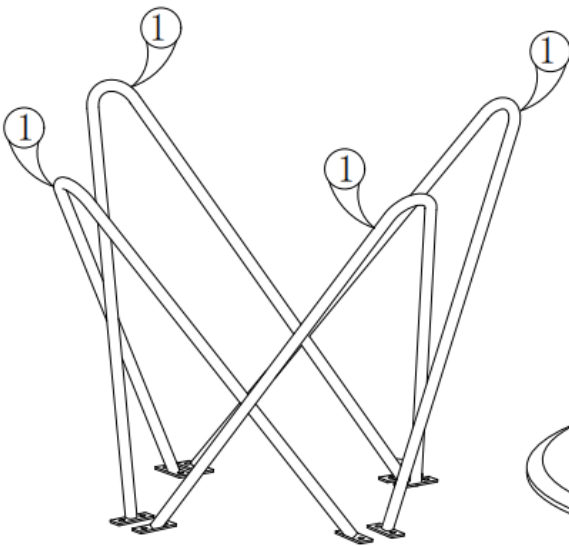
1. Choose a clean, level, spacious assembly area. Avoid hard surfaces that may damage the product
2. Take care when lifting. Product should be assembled as near as possible to the point of use
3. Ensure that you have all required contents for complete assembly
4. Always read the assembly instructions carefully before beginning assembly.
5. Keep all hardware parts and packaging out of reach of small children.
6. Do not over tighten the screws and bolts as this may damage the threads
7. Assembly is to be carried out by a competent adult(s) ONLY
8. During assembly, children should be kept away from the product due to possible risk to injury.
9. Do not use this item if any components are missing or damaged.
10. Please keep the instructions for future reference.

	
Allow 30 min	For 2 person

PARTS LIST

A X 16	B X 4	C X 16	D X 1	E X 1
				
M8x20mm	M6x30mm	Ø8xØ22x1.2mm	4#	5#

①	Table legs
②	Table top

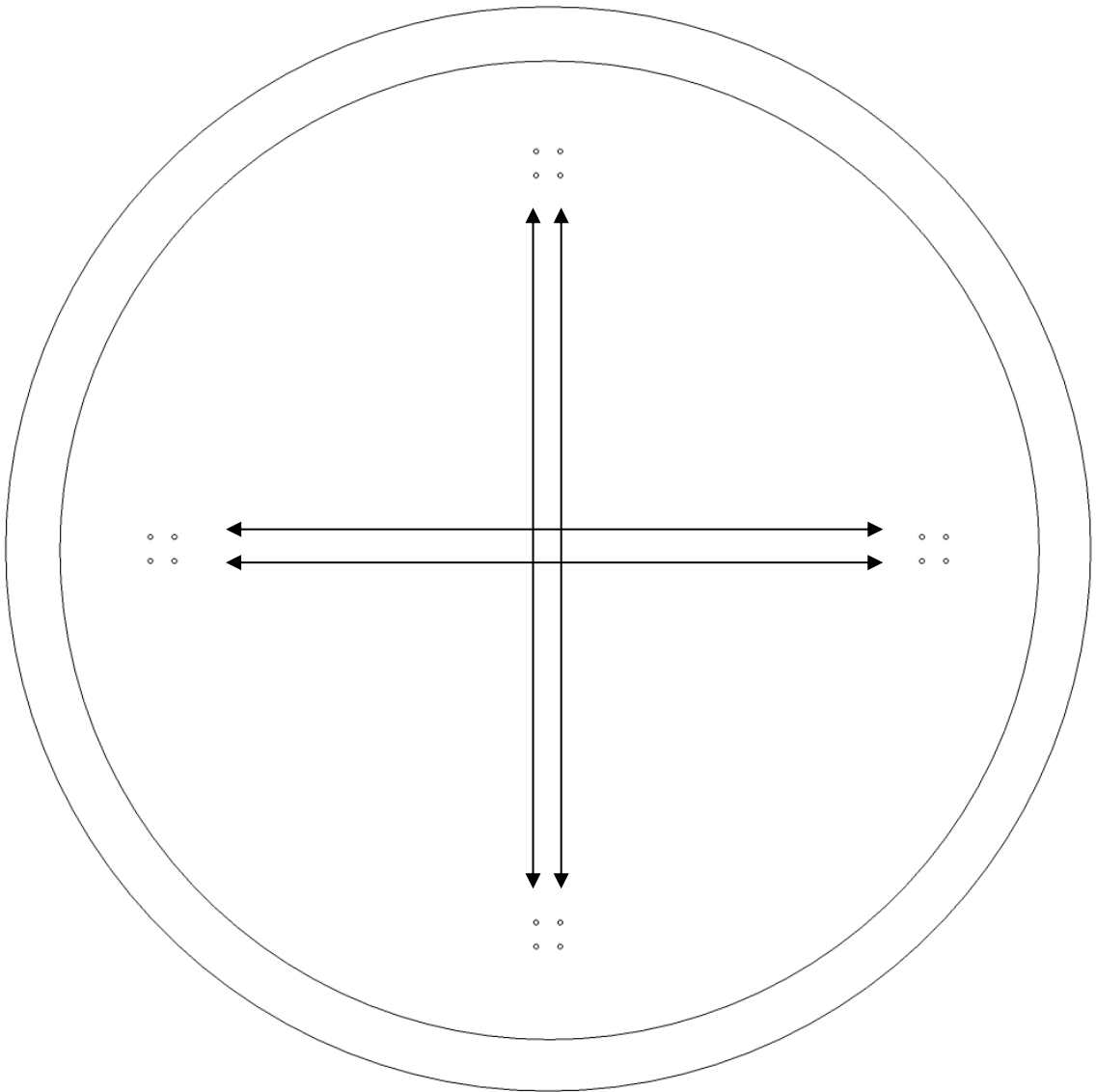


STEP 1:

- Assemble 16 x bolt A sets. Do this be inserting Bolt A into Washer C.

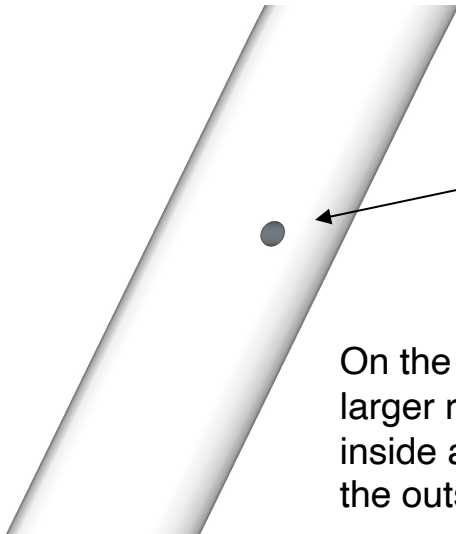
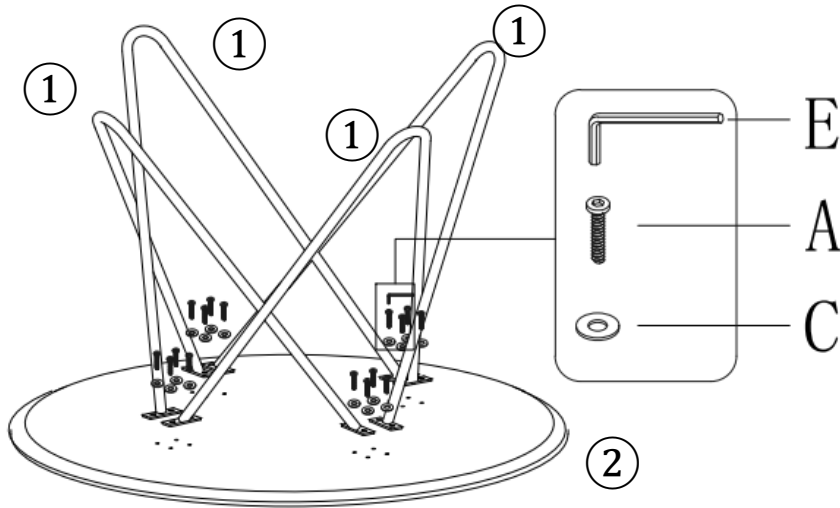
STEP 2:

- N.B. The legs line up across the table and outside holes to outside holes. The curve is away from the middle.



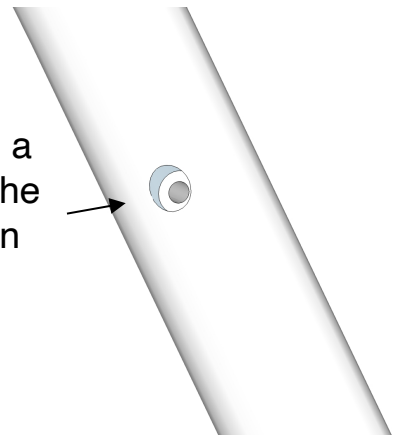
STEP 3:

- After you have lined up the legs, loosely fix them to the table top using bolt A sets. No more than half tightened, for now.



The legs have 2 distinct ends. One end there is only a small hole on the inside and no hole on the outside.

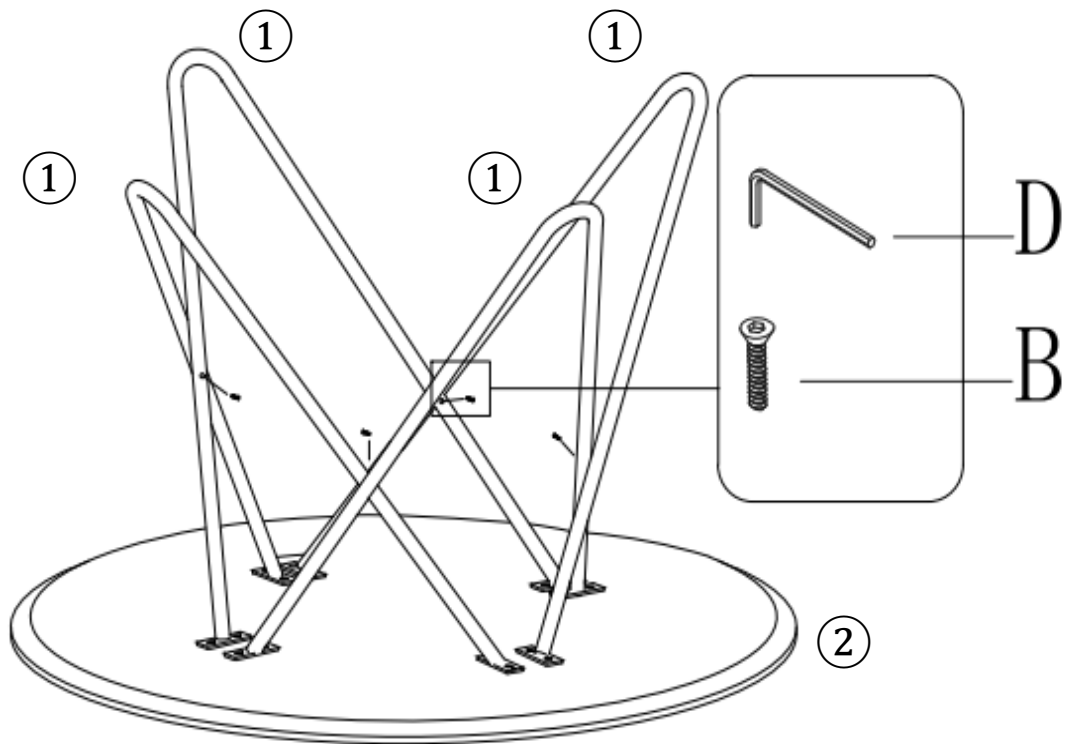
On the other end there is a larger recessed hole on the inside and a small hole on the outside.



N.B. When overlapping the legs the Large recessed hole is always on the inside. It should only ever overlap a small hole.

STEP 4:

- Connect the legs to each other using Bolt B.
- The head of the bolt should be on the inside and set into the large, recessed holes.
- If you are having trouble lining up the holes on the legs then loosen the Bolt A tying the leg down to the table top.
- Tighten these, then loosen by 1 turn.



STEP 5:

- Make Sure all the bolts are in, with the Aid of a 2nd person flip the table over. Let it rest, then Carefully flip is back over.
- Now go around and fully fasten all the bolt A's connecting the legs to the Table top. Fasten only until the bolt is firmly in place, do not over tighten. Over tightening can rip the thread from the table and harm the product. Then go around and fully tighten the Bolt B's connecting the Legs.
- If there is a wobble, please use the adjustable feet on the bottom of each leg.

ASSEMBLY IS COMPLETE



PRODUCT CARE:

Hi-gloss lacquered furniture is more sensitive to marks and scratching than some other furniture products. It is important to exercise caution and care to maximise the life and beauty of this product

Following the below simple guidelines when using your hi-gloss product will protect your investment for years to come

- Dust frequently with a clean damp lint-free cloth. This will help remove abrasive build up which can damage a finish over time
- Avoid using chemicals or solvents when cleaning the product
- Do not place hot objects on any furniture surface. Always use a hot plate or placemat. Lacquer finishes provide added scratch and heat resistance to our furniture, but they can still be damaged without proper care
- Avoid exposing your furniture to strong sunlight, heat outlet, open windows or dampness. Prolonged exposure to direct sunlight can fade the finish of your furniture, while extreme temperature and humidity changes can cause cracking or splitting
- Do not expose your furniture to any liquids. Never allow water to sit on your furniture. Alcohol, nail polish and perfume are also dangerous as they will dissolve the lacquer finish on contact and may require professional repairs
- Do not allow plastic to come in direct contact with your furniture. Chemicals in the plastic of placemats etc. may soften and mark the finish if left in contact with the furniture for a period of time
- Avoid placing sharp or rough objects on the surface of your furniture. These may scratch the surface of the product
- When moving your furniture, do not drag it across the floor. This may damage the product. Instead use two (2) people to lift carefully from either end