



ASSEMBLY INSTRUCTION

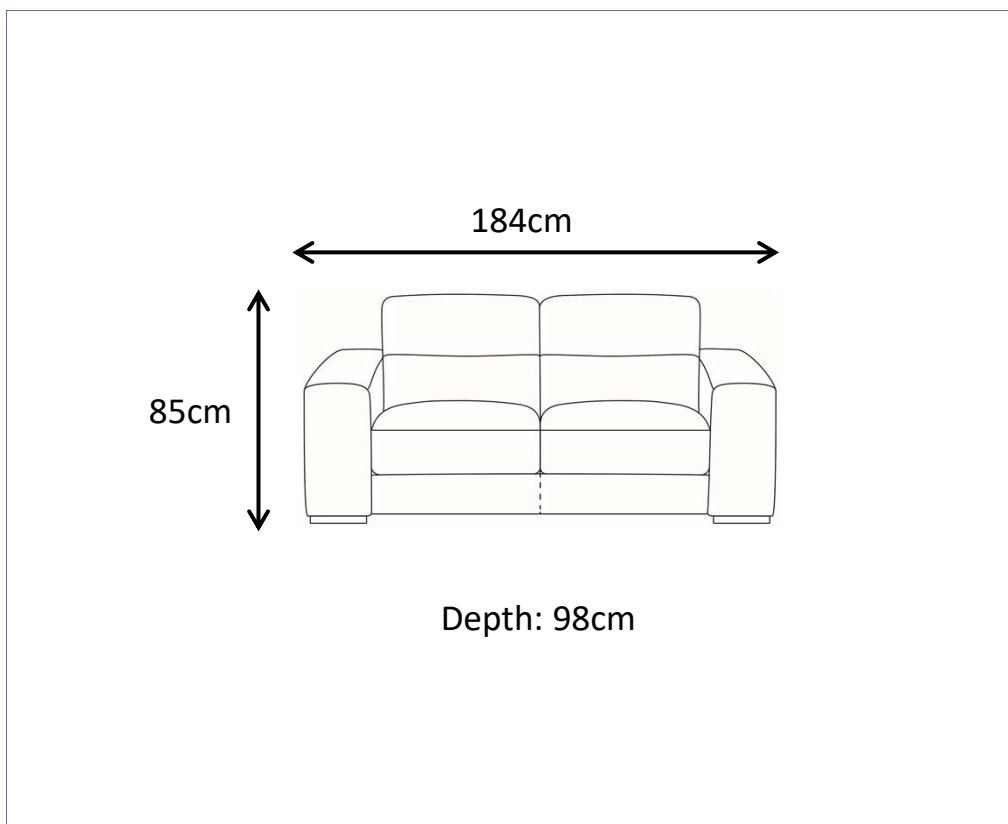
ELLYSE 2 SEATER

ITEM CODE 80338

Imported by Amart Furniture Pty Ltd, Qld, Brisbane Australia.

For any assistance with assembly or for missing parts please phone

Amart Furniture, Customer Service Free call 1800 351 084



Imported by Amart Furniture Pty Ltd, Qld, Brisbane Australia.



For any assistance with assembly or for missing parts please phone

Amart Furniture, Customer Service Free call 1800 351 084


PRE-ASSEMBLY PREPARATION

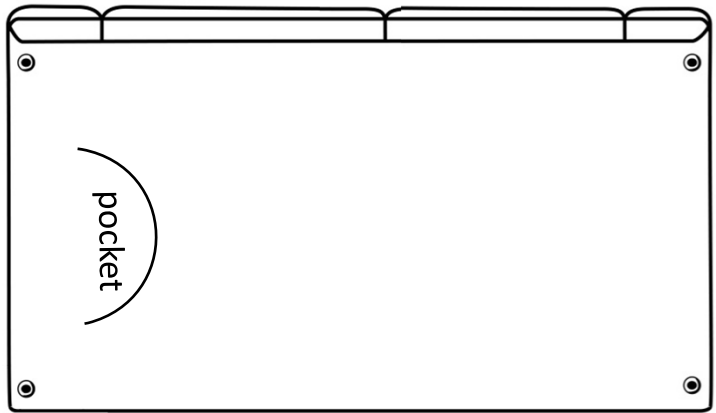
Before you start:

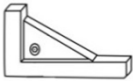

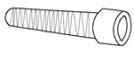




1. Choose a clean, level, spacious assembly area. Avoid hard surfaces that may damage the product
2. Take care when lifting. Product should be assembled as near as possible to the point of use
3. Ensure that you have all required contents for complete assembly
4. Always read the assembly instructions carefully before beginning assembly.
5. Keep all hardware parts and packaging out of reach of small children.
6. Do not over tighten the screws and bolts as this may damage the threads

	
ALLOW 10MINUTES	PEOPLE REQUIRED
ADDITIONAL TOOLS REQUIRED	

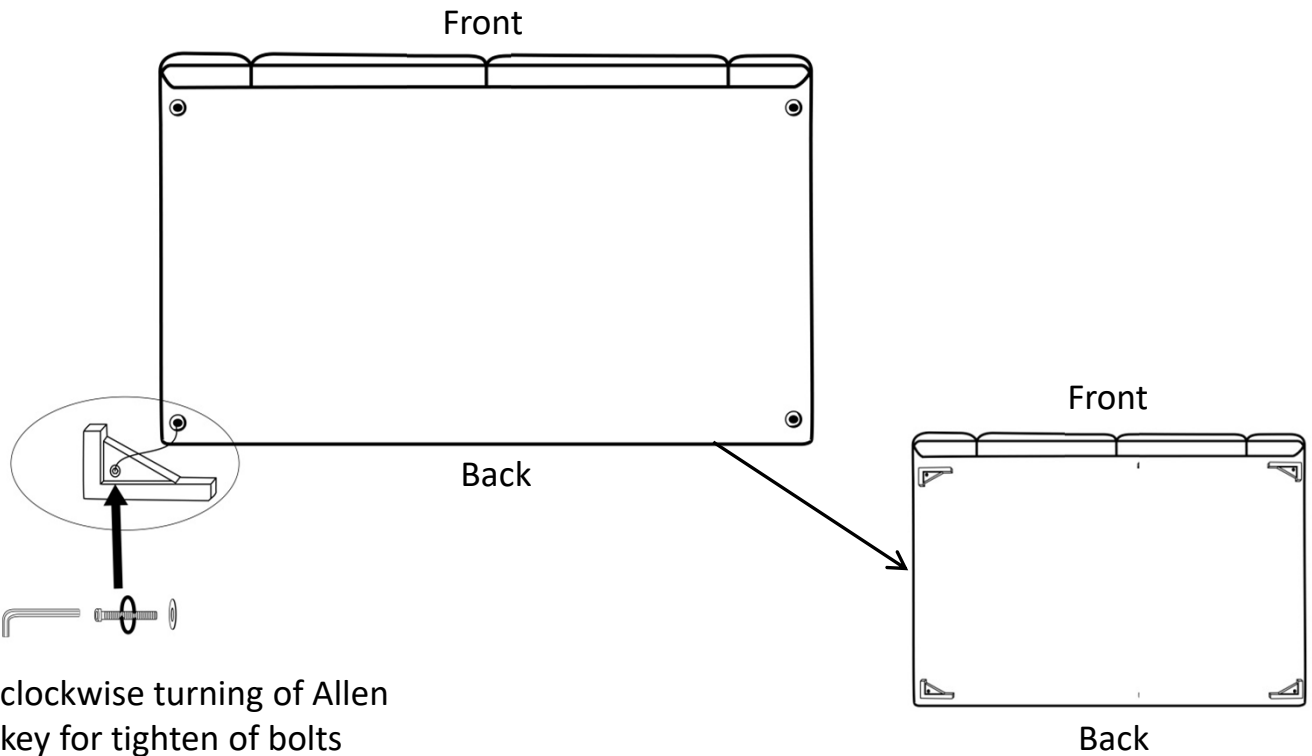
Step1: Locate package of sofa legs with fittings that is placed into zipper pocket at the bottom of 2-Seater.

 With 2 people, carefully turn lounge onto back of a piece of cardboard or carpet to protect covering

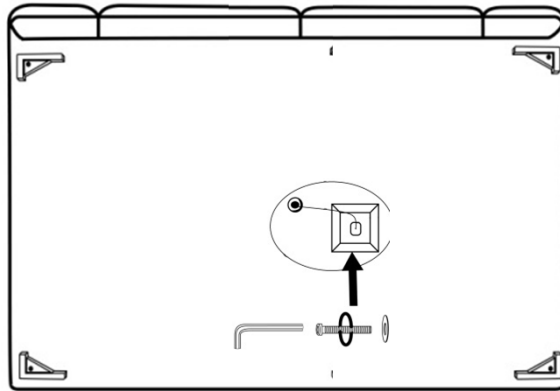


<p>a. Sofa Leg  2pairs</p>	<p>b. Plastic Leg  1pcs</p>	<p>c. Bolt M8X50  5pcs</p>	<p>d. Washer 18*8.5*2mm  5pcs</p>	<p>e. Allen key  1pcs</p>
<p>f. Bolt M8X60  4pcs</p>	<p>g. Washer 25*8.5*2mm  4pcs</p>			

Step2: Tighten the pairs of sofa legs (a) to the bottom of 2-Seater with bolts (c) and washers (d) by Allen key (e).

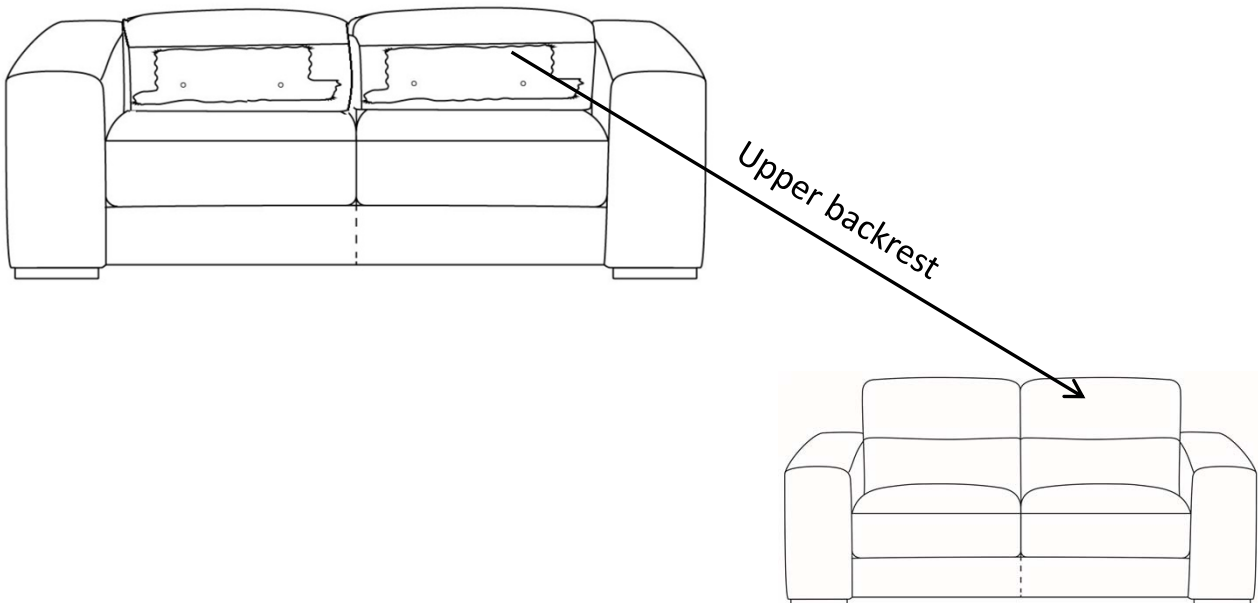


Step3: Tighten the plastic leg (b) to the bottom of 2-Seater with bolts (c) and washers (d) by Allen key (e).

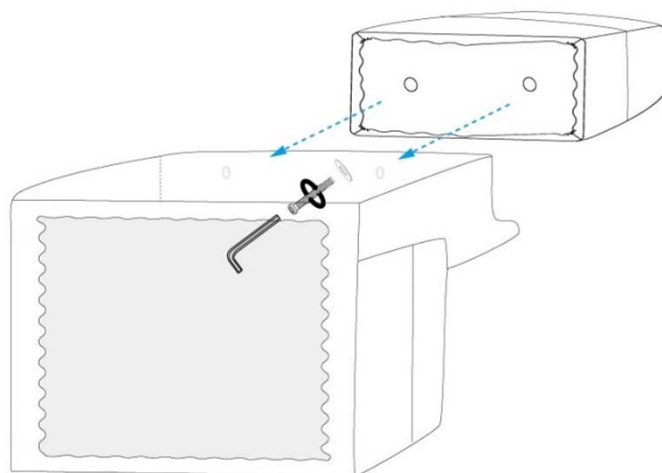


clockwise turning of Allen key for tighten of bolt

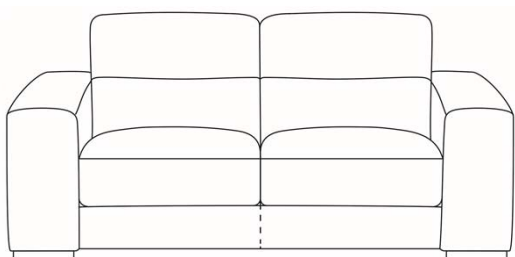
Step4: Locate the upper backrests that are placed on seat cushion of the 2-Seater.



Step5: Tighten the upper backrests to the lower back of 2-Seater with bolts (f) and washers (g) by Allen key (e).



ASSEMBLY IS COMPLETE



CARE AND MAINTENANCE

FABRIC CARE

REGULAR CARE: PROTECT FROM DIRECT SUNLIGHT.
VACUUM REGULARLY USING LOW SUCTION.
ROTATE REVERSIBLE CUSHIONS REGULARLY.

CLEANING:

DO NOT REMOVE CUSHION COVERS FOR SEPARATE
CLEANING EVEN THOUGH THEY HAVE ZIPPERS.

DO NOT WASH

DO NOT DRY CLEAN

DO NOT SHAMPOO CLEAN

CLEAN WITH HOT-WATER EXTRACTION MACHINE.

(HOT) PROFESSIONAL CLEANING RECOMMENDED.

DO NOT USE DISHWASHING OR LAUNDRY DETERGENTS.

USE ONLY UPHOLSTERY DETERGENTS

DO NOT WET FILLING

DRY IN SHADE AWAY FROM DIRECT HEAT AND SUNLIGHT

ALLOW TO DRY THOROUGHLY BEFORE RE-USE

SPOT CLEANING:

DO NOT RUB

DO NOT SPOT CLEAN WITH ANY SOLVENT.

TREAT SPILLS AND STAINS AS SOON AS POSSIBLE.

GENTLY SCRAPE ANY SOIL OR MOP ANY LIQUID FROM THE SURFACE OF THE
FABRIC.

APPLY PROPRIETARY CLEANING AGENTS STRICTLY
ACCORDING TO INSTRUCTIONS TO REMOVE THE
RESIDUE OF THE SPILL.

DO NOT SATURATE THE FABRIC OR INTERIOR WITH
WATER OR OTHER CLEANING LIQUIDS.

WARNING: APPLY ONLY WATER-BASED SOIL RESIST
(FABRIC PROTECTION) TREATMENTS. DO NOT USE
AEROSOL PRODUCTS.