

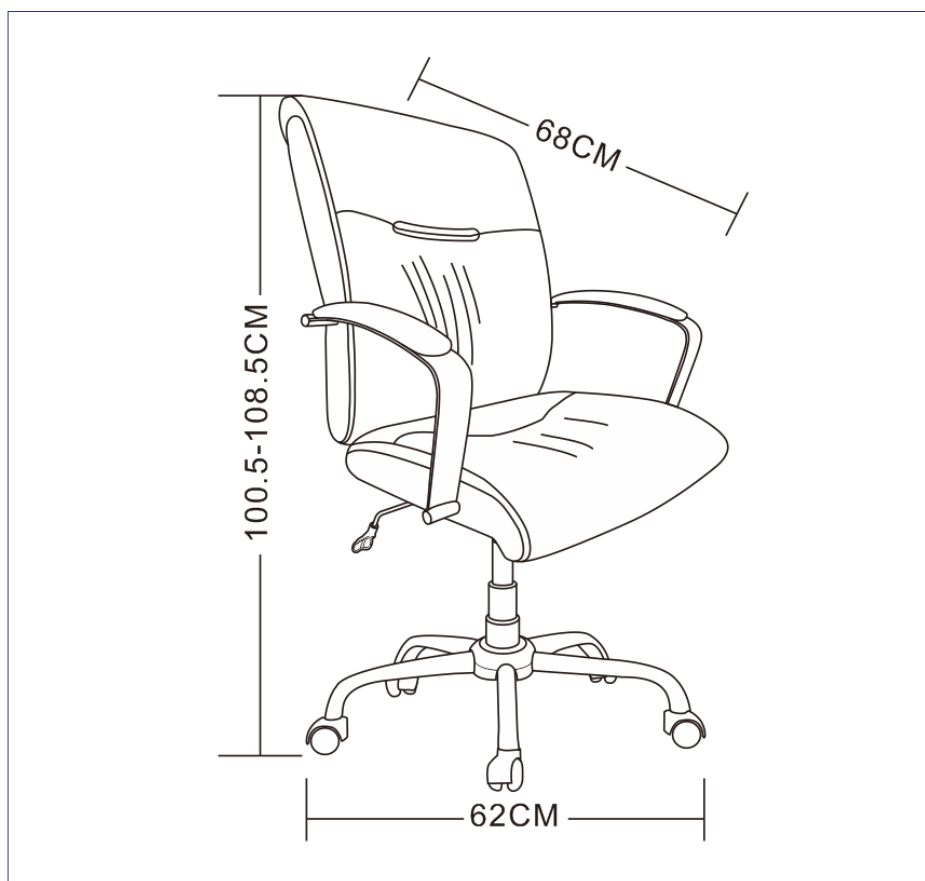


ASSEMBLY INSTRUCTION

Albion Office Chair

ITEM CODE:62891

Imported by Amart Furniture Pty Ltd, Qld, Brisbane Australia.
For any assistance with assembly or for missing parts please phone
Amart Furniture Ewing Road, Customer Service Free call 1800 351 084

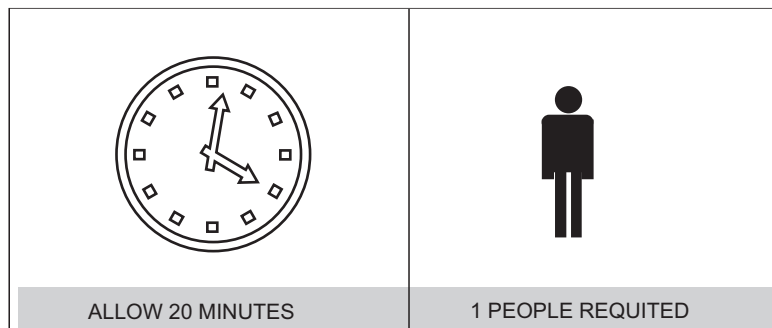


Imported by Amart Furniture Pty Ltd, Qld, Brisbane Australia.
For any assistance with assembly or for missing parts please
phone Amart Furniture Ewing Road, Customer Service Free call 1800 351 084

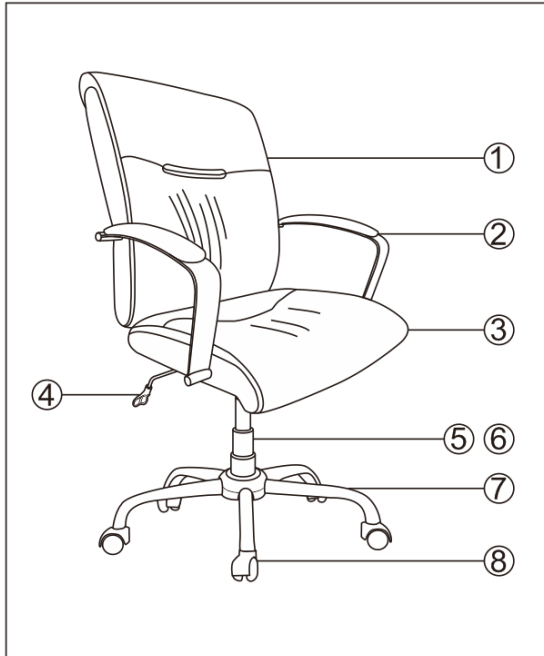
PRE-ASSEMBLY PREPARATION

Before you start :



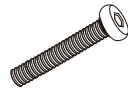


1. Choose a clean, level, spacious assembly area. Avoid hard surfaces that may damage the product.
2. Take care when lifting. Product should be assembled as near as possible to the point of use.
3. Ensure that you have all required contents for complete assembly.
4. Always read the assembly instructions carefully before beginning assembly .
5. Keep all hardware parts and packaging out of reach of small children.
6. Do not over tighten the screws and bolts as this may damage the threads.



PARTS LIST

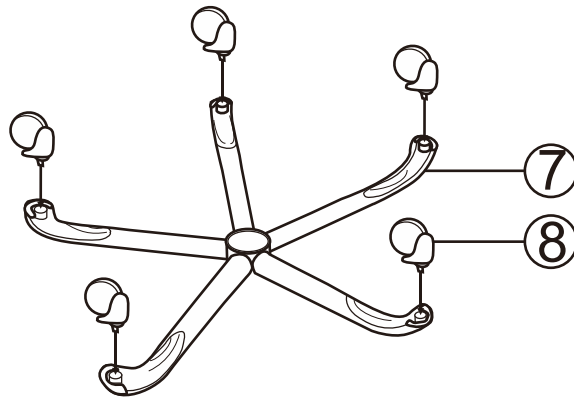


1	BACK
2	ARMREST (L)&(R)
3	SEAT
4	MECHANISM
5	GAS LIFT
6	GAS LIFT COVER
7	BASE
8	CASTOR

<p>A <input type="checkbox"/></p> <p>bolt</p>  <p>M6x18mm 4xPCS</p>	<p>B <input type="checkbox"/></p> <p>bolt</p>  <p>M6x30mm 4xPCS</p>	<p>C <input type="checkbox"/></p> <p>bolt</p>  <p>M8x55mm 4xPCS</p>	<p>D <input type="checkbox"/></p> <p>rubber plug</p>  <p>Φ15mm 4XPCS</p>
<p>E</p>  <p>Allen key 1pc</p>			

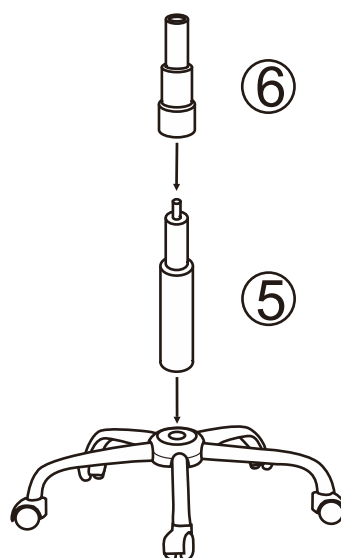
STEP 1:

Insert castor ⑧ to base ⑦.



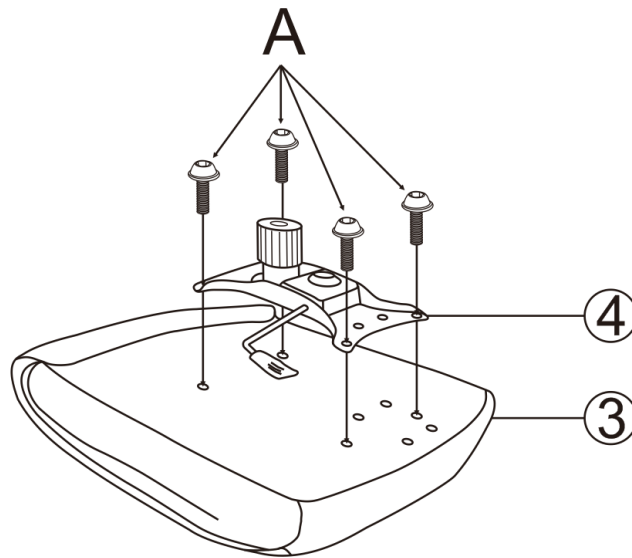
STEP 2:

Put gas lift ⑤ into base ⑦ as instruction shown, then put gas lift cover ⑥ on gas lift ⑤. Remove gas lift cover before assembly.



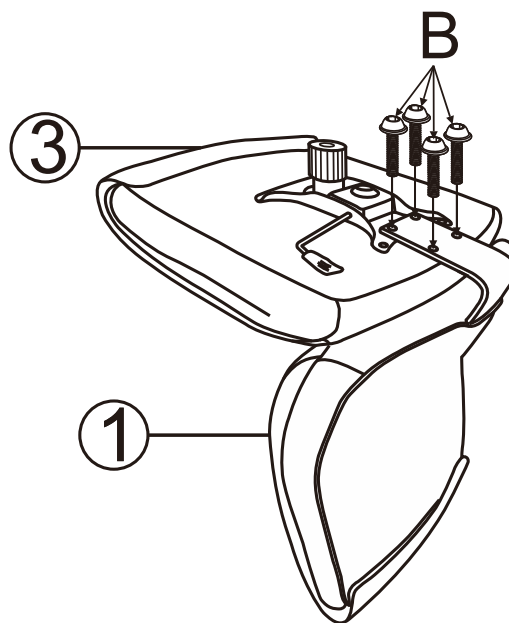
STEP 3:

Attach mechanism ④ to seat ③ using bolt A. Fasten by allen key.



STEP 4:

Turn back the seat ③ attach back ⑦ to seat ③ using bolt B. Fasten by allen key.



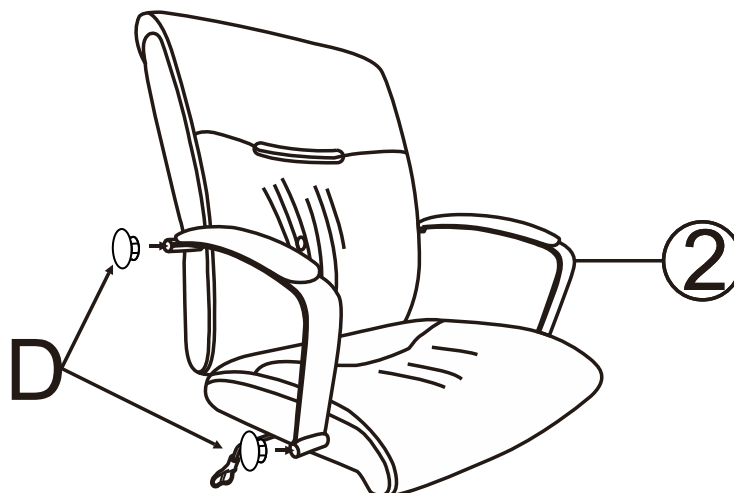
STEP 5:

As shown, attach armrests (2) to back (1) and seat (3) using bolt C. Fasten by allen key.



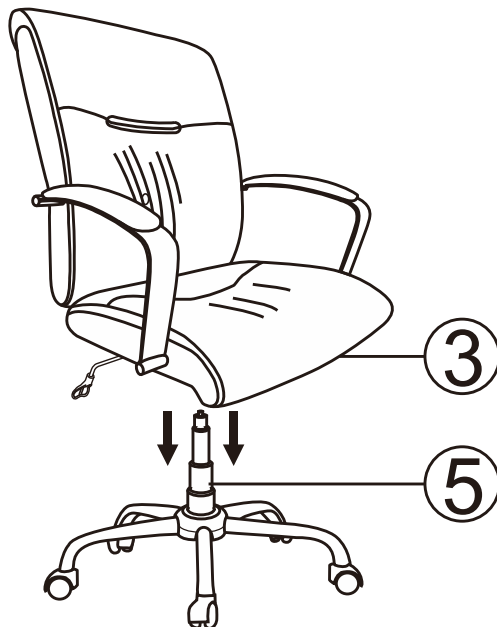
STEP 6: Lift back 1

As shown, insert rubber plug D into armrest (2)



STEP 7:

As shown, put the assembly chair body into gas lift ⑤ .



STEP 8:

As shown, put the assembly chair body into gas lift 5 .



STEP 9:

Assembly is complete.



CARE AND MAINTENANCE OFFICE CHAIR

DO NOT REMOVE THIS LABEL

- DO NOT STAND ON THIS CHAIR-DO NOT USE THIS CHAIR AS STEP LADDER.
- USE THIS PRODUCT ONLY FOR SEATING ONE PERSON AT A TIME.
- DO NOT USE THIS CHAIR UNLESS ALL BOLTS, SCREWS AND KNOBS ARE FIRMLY SECURED.
- AT LEAST EVERY 4 MONTHS, CHECK ALL BOLTS, SCREWS AND KNOBS TO BE SURE THEY ARE TIGHT.
- IF PARTS ARE MISSING, BROKEN, DAMAGED OR WORN, STOP USE THE PRODUCT UNTIL REPAIRS ARE MADE. USING FACTORY AUTHORIZED PARTS.
- FAILURE TO FOLLOW THESE WARNINGS COULD RESULT IN SERIOUS INJURY.