



ASSEMBLY INSTRUCTION

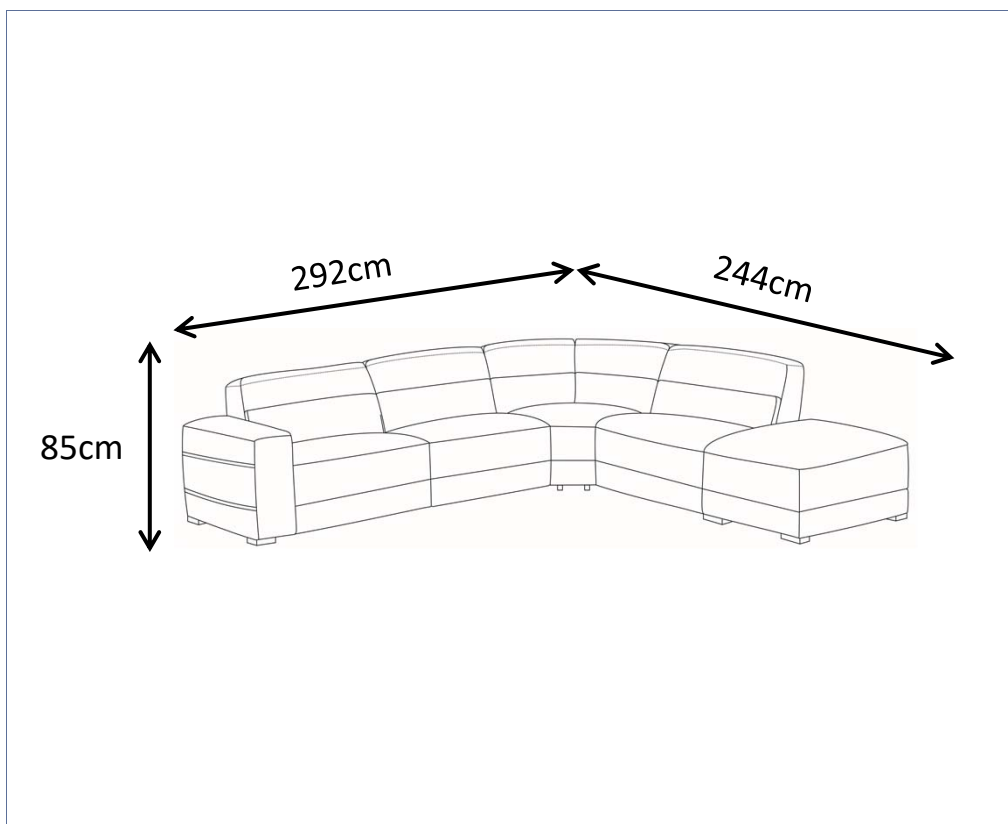
ELLYSE RF CNR

ITEM CODE 80340

Imported by Amart Furniture Pty Ltd, Qld, Brisbane Australia.

For any assistance with assembly or for missing parts please phone

Amart Furniture, Customer Service Free call 1800 351 084



Imported by Amart Furniture Pty Ltd, Qld, Brisbane Australia.



For any assistance with assembly or for missing parts please phone

Amart Furniture, Customer Service Free call 1800 351 084


PRE-ASSEMBLY PREPARATION

Before you start:

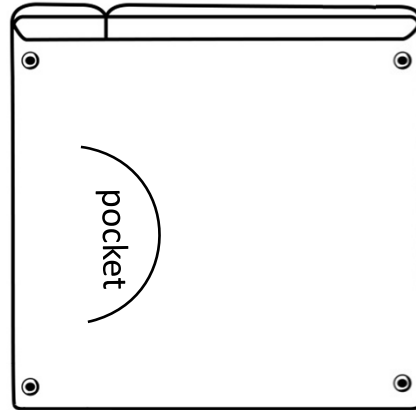
1. Choose a clean, level, spacious assembly area. Avoid hard surfaces that may damage the product
2. Take care when lifting. Product should be assembled as near as possible to the point of use
3. Ensure that you have all required contents for complete assembly
4. Always read the assembly instructions carefully before beginning assembly.
5. Keep all hardware parts and packaging out of reach of small children.
6. Do not over tighten the screws and bolts as this may damage the threads

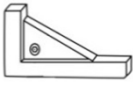

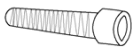




	
ALLOW 30MINUTES	PEOPLE REQUIRED
ADDITIONAL TOOLS REQUIRED	

Step1: Locate package of sofa legs with fittings that is placed into zipper pocket at the bottom of LHF Chair.

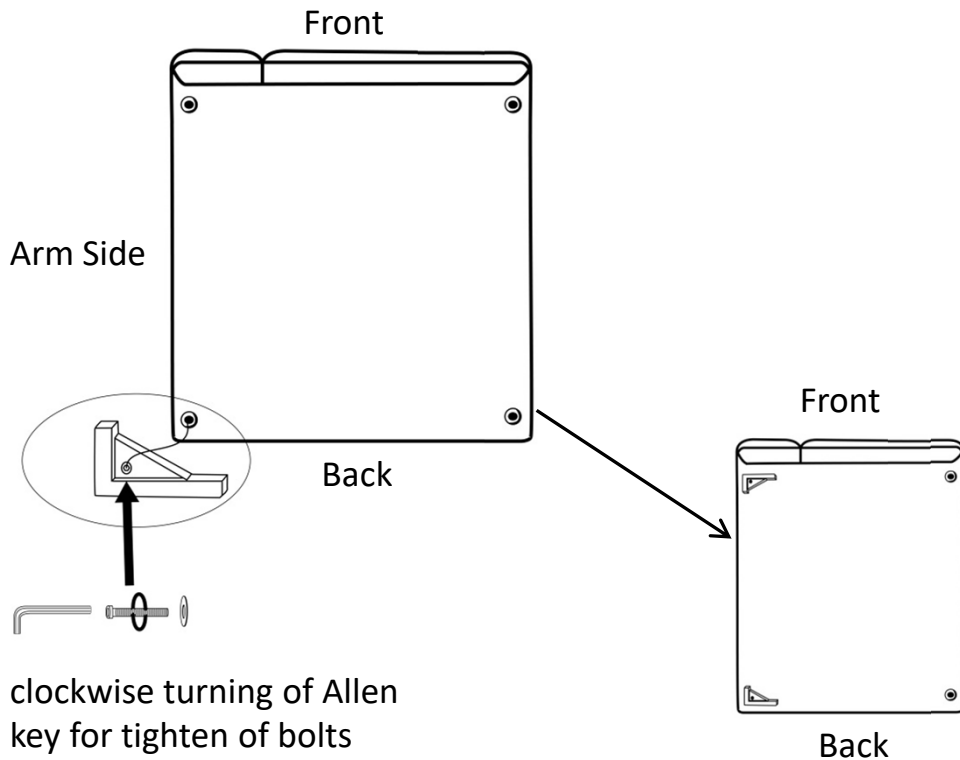


With 2 people,
carefully turn
lounge onto
back of a piece of
cardboard or carpet
to protect covering

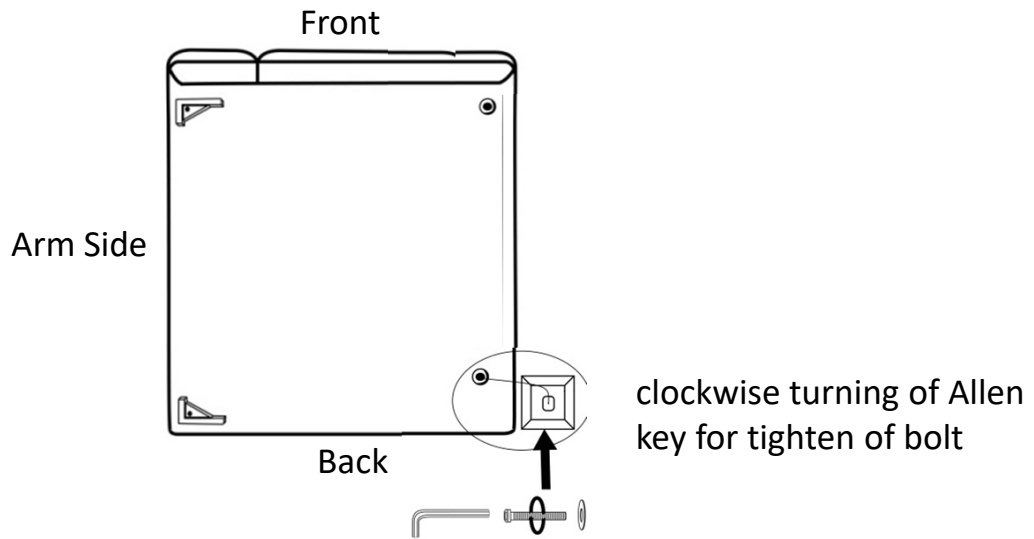


<p>a. Sofa Leg</p>  <p style="text-align: right;">1pairs</p>	<p>b. Plastic Leg</p>  <p style="text-align: right;">2pcs</p>	<p>c. Bolt M8X50</p>  <p style="text-align: right;">4pcs</p>	<p>d. Washer 18*8.5*2mm</p>  <p style="text-align: right;">4pcs</p>	<p>e. Allen key</p>  <p style="text-align: right;">1pcs</p>
<p>f. Bolt M8X60</p>  <p style="text-align: right;">2pcs</p>	<p>g. Washer 25*8.5*2mm</p>  <p style="text-align: right;">2pcs</p>			

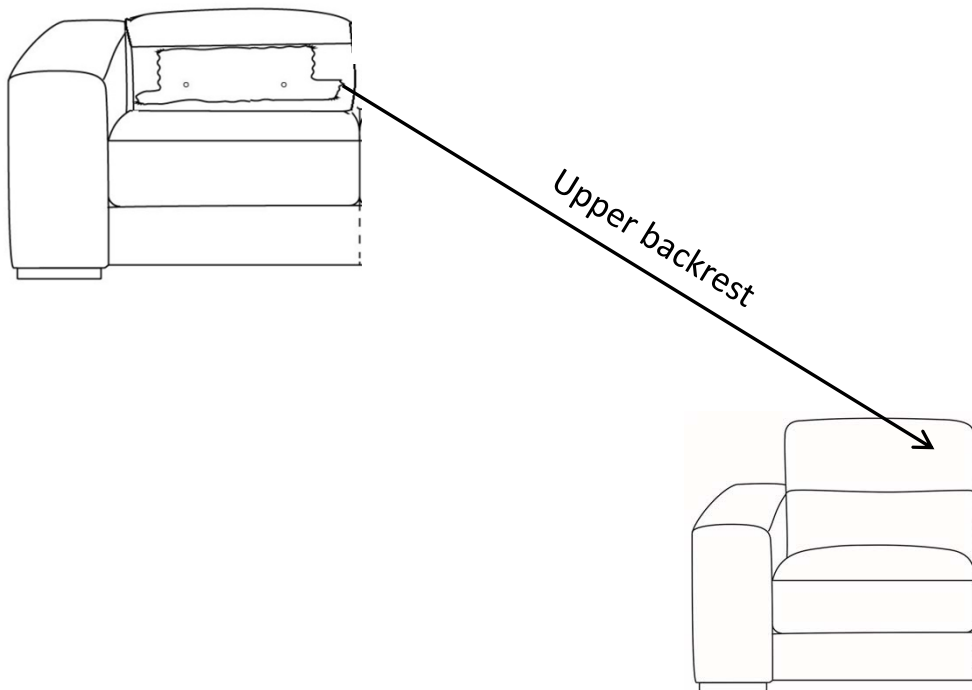
Step2: Tighten the pair of sofa legs (a) to the bottom of LHF Chair with bolts (c) and washers (d) by Allen key (e).



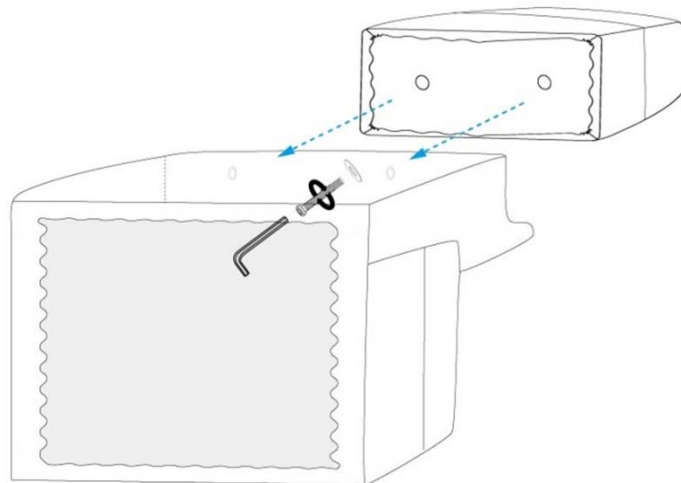
Step3: Tighten the plastic legs (b) to the bottom of LHF Chair with bolts (c) and washers (d) by Allen key (e).




Step4: Locate the upper backrest that is placed on seat cushion of the LHF Chair.



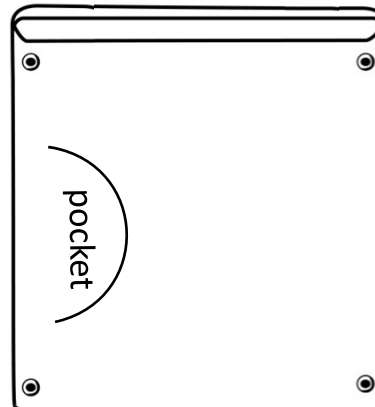
Step5: Tighten the upper backrest to the lower backrest of LHF Chair with bolts (f) and washers (g) by Allen key (e).









Step6: Locate package of sofa legs with fittings that is placed into zipper pocket at the bottom of Armless Chair.

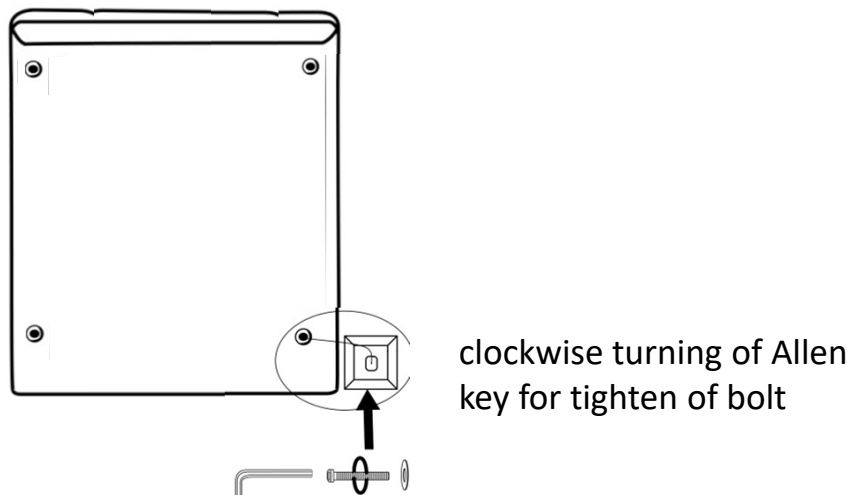


With 2 people,
carefully turn
lounge onto
back of a piece of
cardboard or carpet
to protect covering



<p>b. Plastic Leg</p>  <p>4pcs</p>	<p>c. Bolt M8X50</p>  <p>4pcs</p>	<p>d. Washer 18*8.5*2mm</p>  <p>4pcs</p>	<p>e. Allen key</p>  <p>1pcs</p>
<p>f. Bolt M8X60</p>  <p>2pcs</p>	<p>g. Washer 25*8.5*2mm</p>  <p>2pcs</p>		

Step7: Tighten the plastic legs (b) to the bottom of Armless Chair with bolts (c) and washers (d) by Allen key (e).

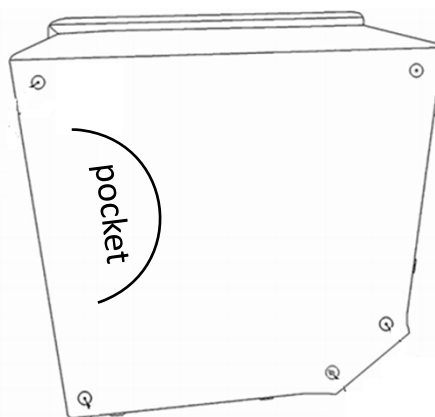






Step8: Repeat steps 4-5 for Armless Chair backrest assembly.

Step9: Locate package of sofa legs with fittings that is placed into zipper pocket at the bottom of Wedge.

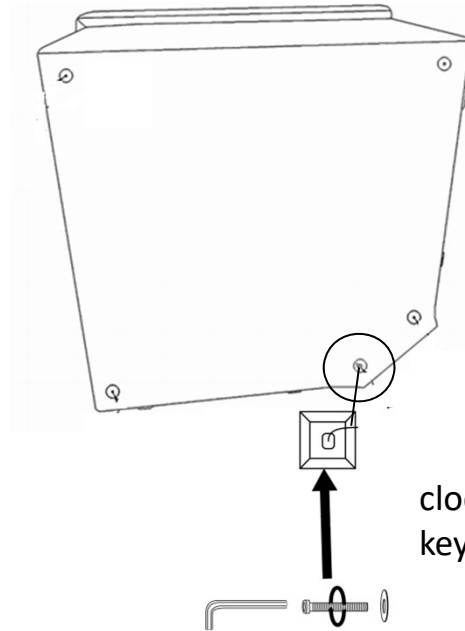


With 2 people,
carefully turn
loungé onto
back of a piece of
cardboard or carpet
to protect covering




<p>b. Plastic Leg</p>  <p>5pcs</p>	<p>c. Bolt M8X50</p>  <p>5pcs</p>	<p>d. Washer 18*8.5*2mm</p>  <p>5pcs</p>	<p>e. Allen key</p>  <p>1pcs</p>
---	--	---	---

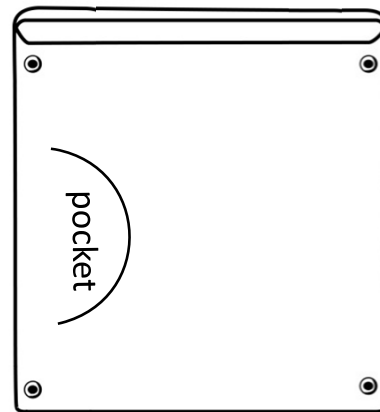
Step10: Tighten the plastic legs (b) to the bottom of Wedge with bolts (c) and washers (d) by Allen key (e).

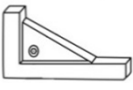
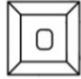
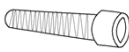






clockwise turning of Allen key for tighten of bolt

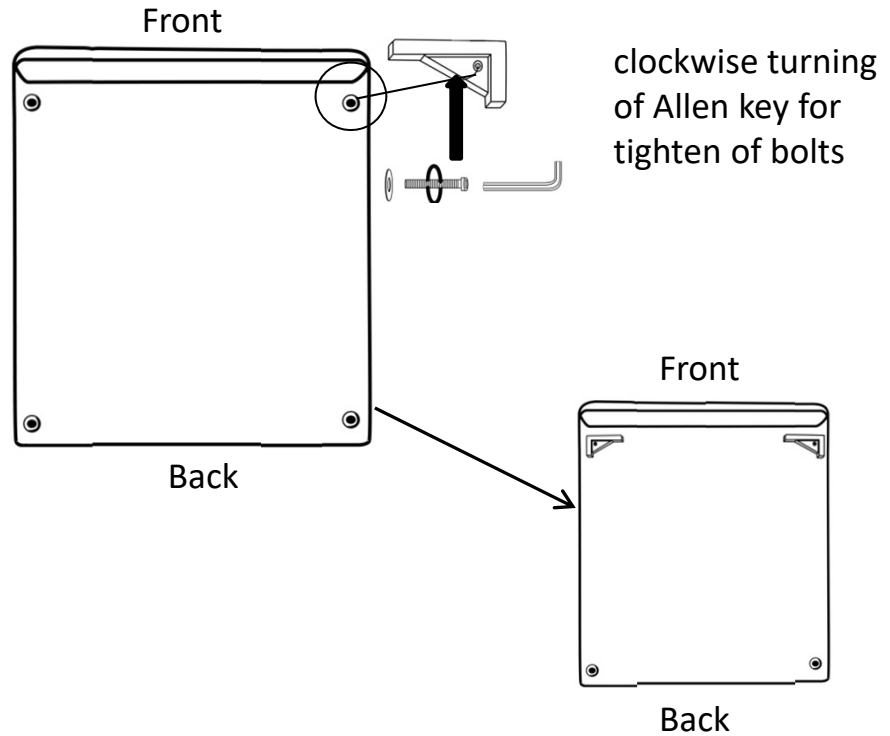
Step11: Locate package of sofa legs with fittings that is placed into zipper pocket at the bottom of RHF Terminal Chair.

 With 2 people, carefully turn lounge onto back of a piece of cardboard or carpet to protect covering

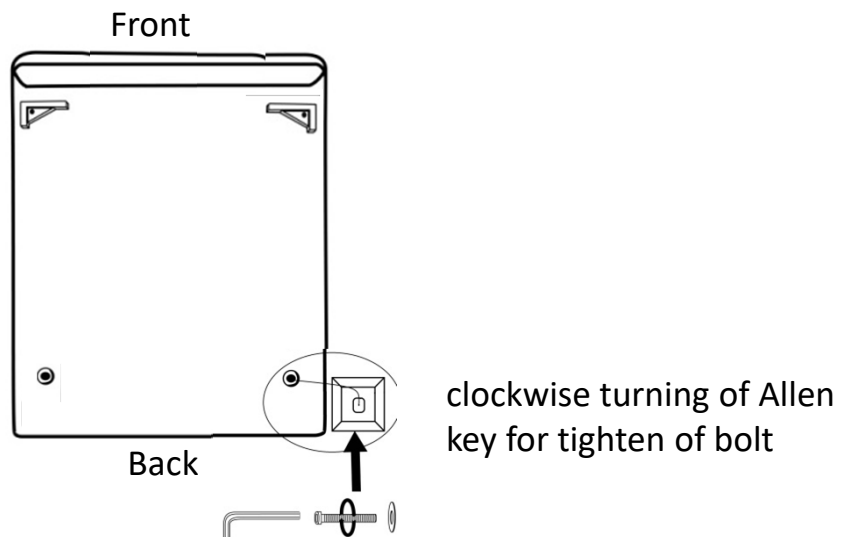


h. Sofa Leg  1pairs	b. Plastic Leg  2pcs	c. Bolt M8X50  4pcs	d. Washer 18*8.5*2mm  4pcs	e. Allen key  1pcs
f. Bolt M8X60  2pcs	g. Washer 25*8.5*2mm  2pcs			

Step12: Tighten the pair of sofa legs (h) to the bottom of RHF Terminal Chair with bolts (c) and washers (d) by Allen key (e).

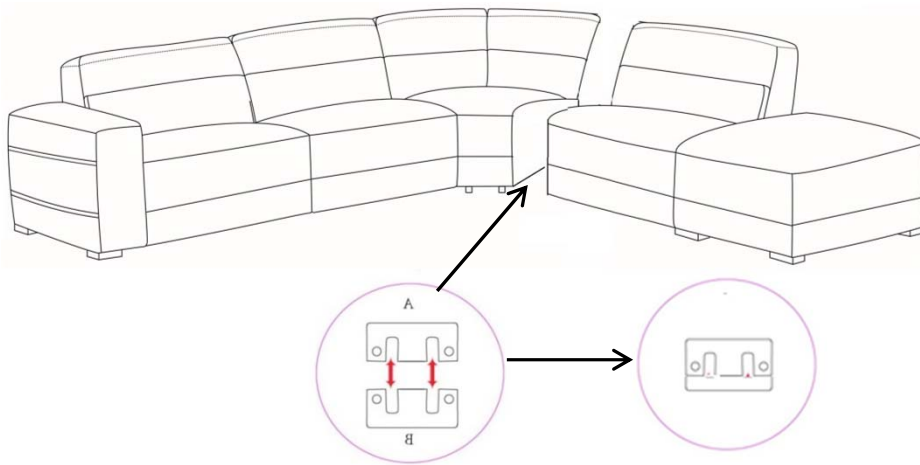


Step13: Tighten the plastic legs (b) to the bottom of RHF Terminal Chair with bolts (c) and washers (d) by Allen key (e).



Step14: Repeat steps 4-5 for RHF Terminal Chair backrest assembly.

Step15: Connect 4 pieces from right to left. Begin with the right hand facing terminal chair, then wedge, then armless chair and left hand facing chair finally. Slide the base clips together then press the front and rear sides to ensure the clips are connected all the way to the bottom.



CARE AND MAINTENANCE

FABRIC CARE

REGULAR CARE: PROTECT FROM DIRECT SUNLIGHT.
VACUUM REGULARLY USING LOW SUCTION.
ROTATE REVERSIBLE CUSHIONS REGULARLY.

CLEANING:

DO NOT REMOVE CUSHION COVERS FOR SEPARATE
CLEANING EVEN THOUGH THEY HAVE ZIPPERS.

DO NOT WASH

DO NOT DRY CLEAN

DO NOT SHAMPOO CLEAN

CLEAN WITH HOT-WATER EXTRACTION MACHINE.

(HOT) PROFESSIONAL CLEANING RECOMMENDED.

DO NOT USE DISHWASHING OR LAUNDRY DETERGENTS.

USE ONLY UPHOLSTERY DETERGENTS

DO NOT WET FILLING

DRY IN SHADE AWAY FROM DIRECT HEAT AND SUNLIGHT

ALLOW TO DRY THOROUGHLY BEFORE RE-USE

SPOT CLEANING:

DO NOT RUB

DO NOT SPOT CLEAN WITH ANY SOLVENT.

TREAT SPILLS AND STAINS AS SOON AS POSSIBLE.

GENTLY SCRAPE ANY SOIL OR MOP ANY LIQUID FROM THE SURFACE OF THE
FABRIC.

APPLY PROPRIETARY CLEANING AGENTS STRICTLY
ACCORDING TO INSTRUCTIONS TO REMOVE THE
RESIDUE OF THE SPILL.

DO NOT SATURATE THE FABRIC OR INTERIOR WITH
WATER OR OTHER CLEANING LIQUIDS.

WARNING: APPLY ONLY WATER-BASED SOIL RESIST
(FABRIC PROTECTION) TREATMENTS. DO NOT USE
AEROSOL PRODUCTS.