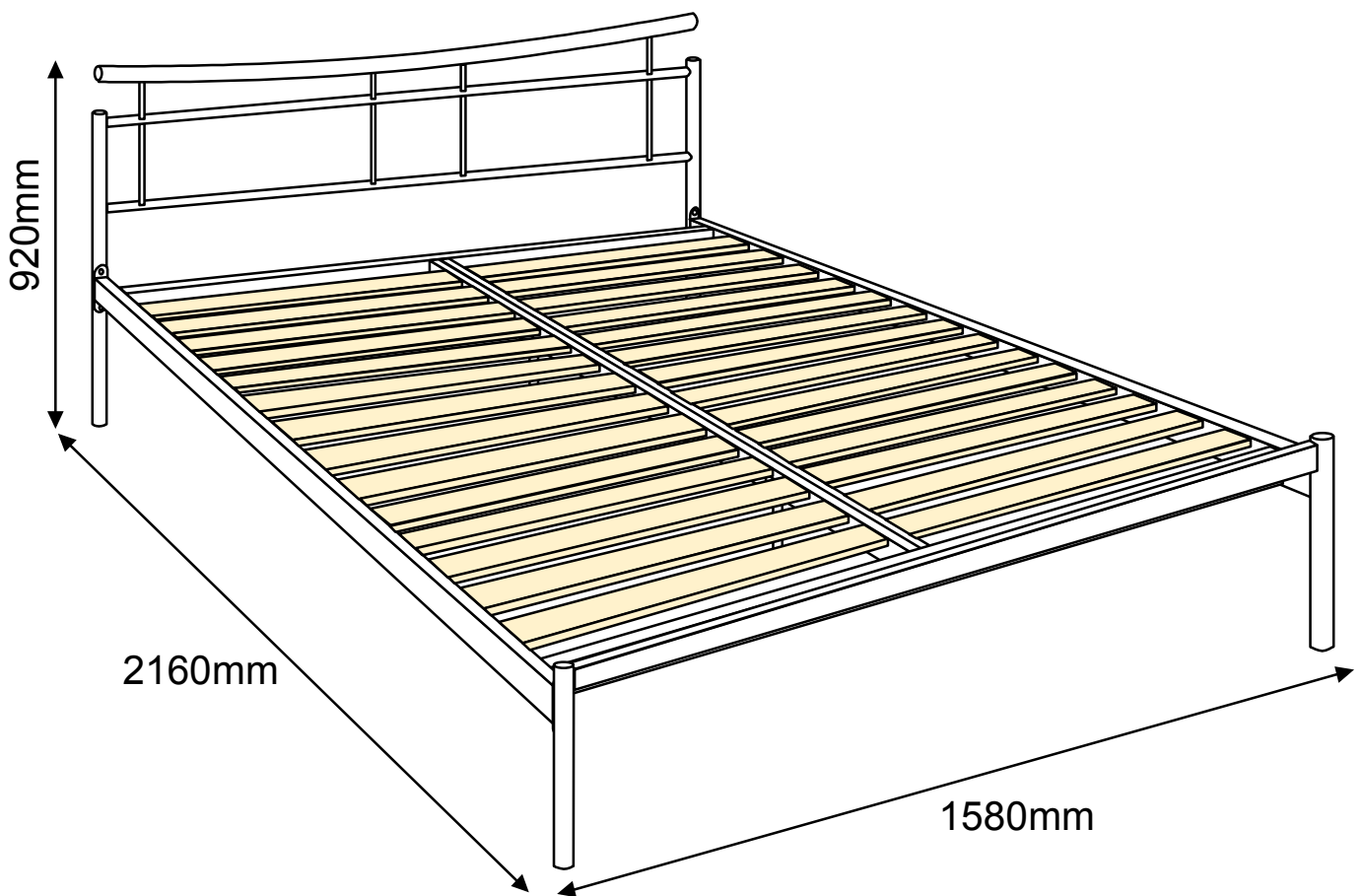




ASSEMBLY INSTRUCTION
ATLANTA QUEEN BED
ITEM CODE - 53183

Imported by Amart Furniture Pty Ltd, Qld, Brisbane Australia.
For any assistance with assembly or for missing parts please phone
Amart Furniture, Customer Service Free call 1800 351 084



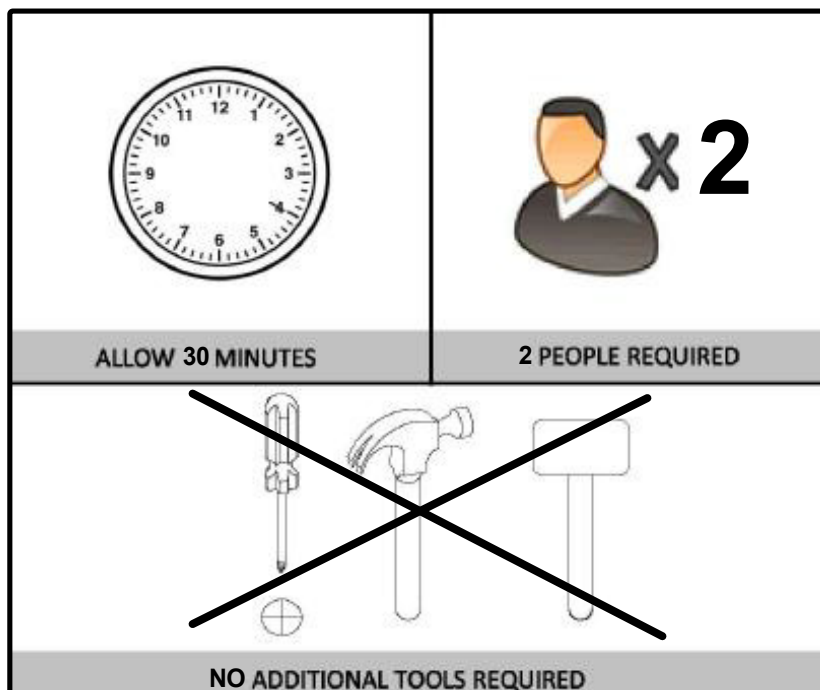
Imported by Amart Furniture Pty Ltd, Qld, Brisbane Australia.
For any assistance with assembly or for missing parts please phone
Amart Furniture, Customer Service Free call 1800 351 084



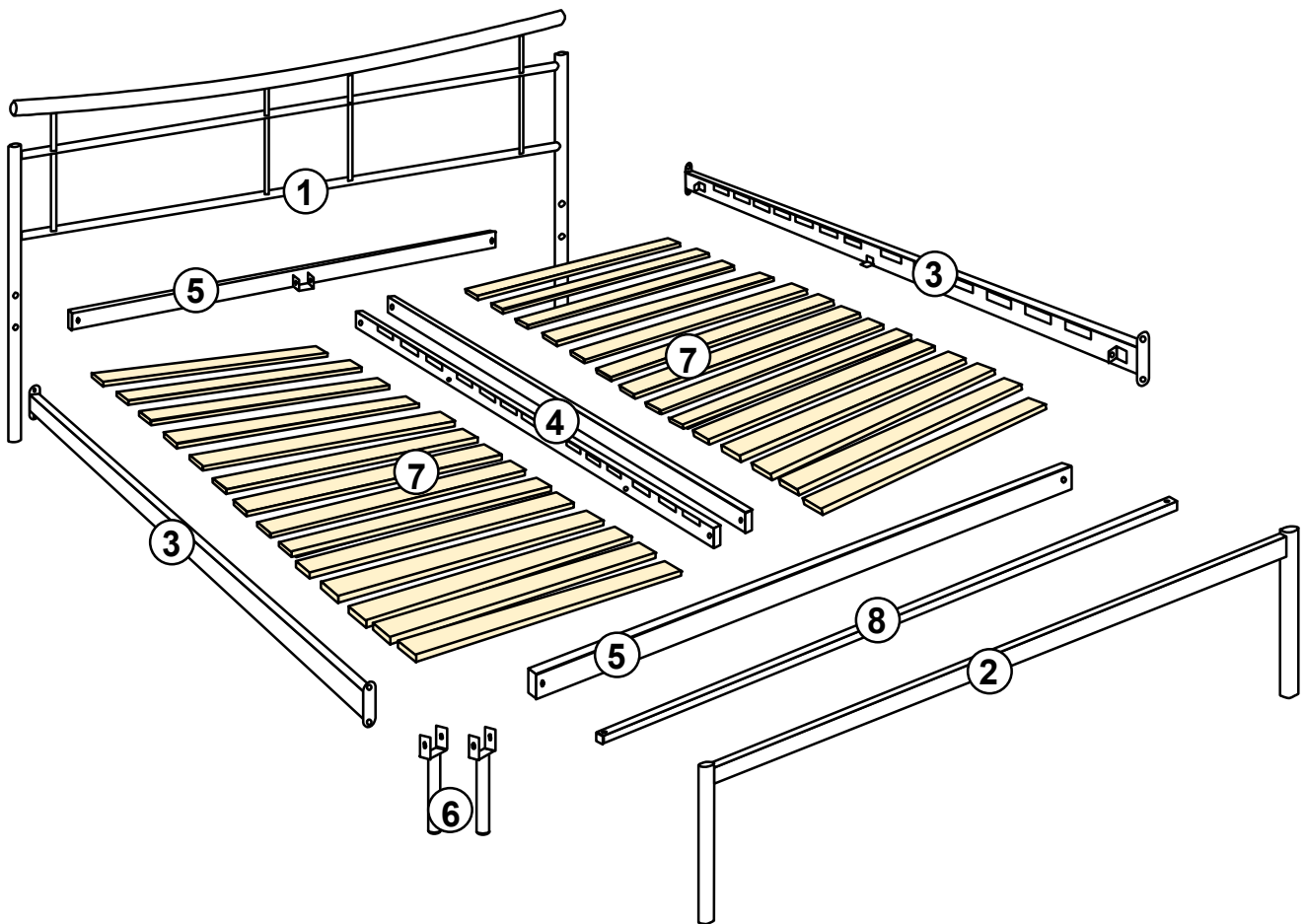
PRE-ASSEMBLY PREPARATION

Before you start:

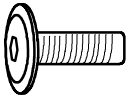
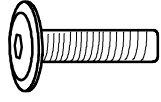
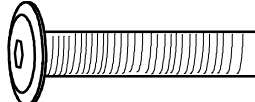
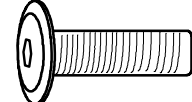
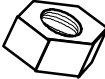
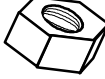


1. Choose a clean, level, spacious assembly area. Avoid hard surfaces that may damage the product
2. Take care when lifting. Product should be assembled as near as possible to the point of use
3. Ensure that you have all required contents for complete assembly
4. Always read the assembly instructions carefully before beginning assembly.
5. Keep all hardware parts and packaging out of reach of small children.
6. Do not over tighten the screws and bolts as this may damage the threads



PART LIST

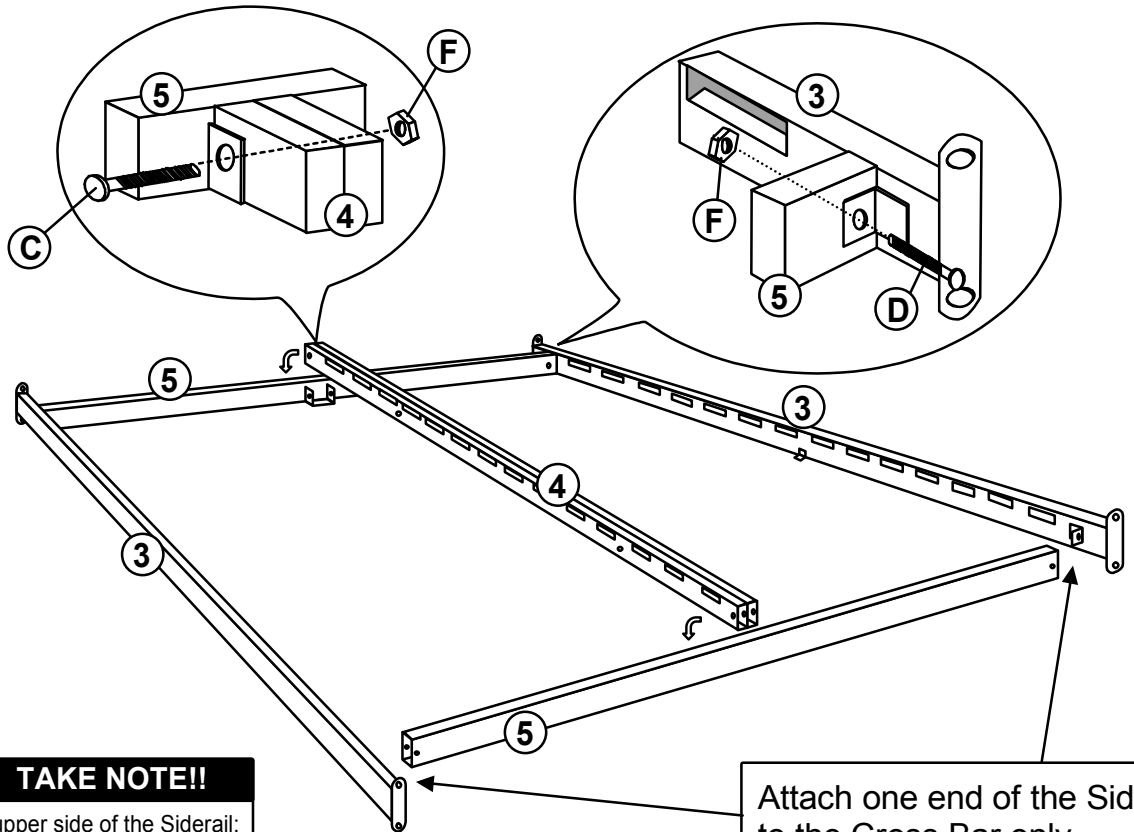


1	Headend x 1pc	5	Cross Bar x 2pcs
2	Footend x 1pc	6	Support Leg x 2pcs
3	Siderail x 2pcs	7	Wooden Slat x 28pcs (783mmx65mmx11mm)
4	Centre rail x 2pcs	8	Bottom Centre Support Bar x 1pc

(A) M6x20mm bolts x 8pcs 	(B) M6x30mm bolts x 2pcs 	(C) M8x70mm bolts x 4pcs 	(D) M8x40mm bolts x 4pcs 
(E) M6 Hex nut x 2pcs 	(F) M8 Hex nut x 8pcs 	(G) M4 Allen Key x 1pc (used with M6 bolts) 	(H) M5 Allen Key x 1pc (used with M8 bolts) 

ASSEMBLY..

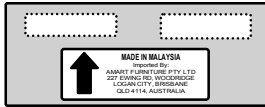
STEP 1:



IMPORTANT!! TAKE NOTE!!

Ensure slots are on the upper side of the Siderail; with the sides without slots facing outwards.

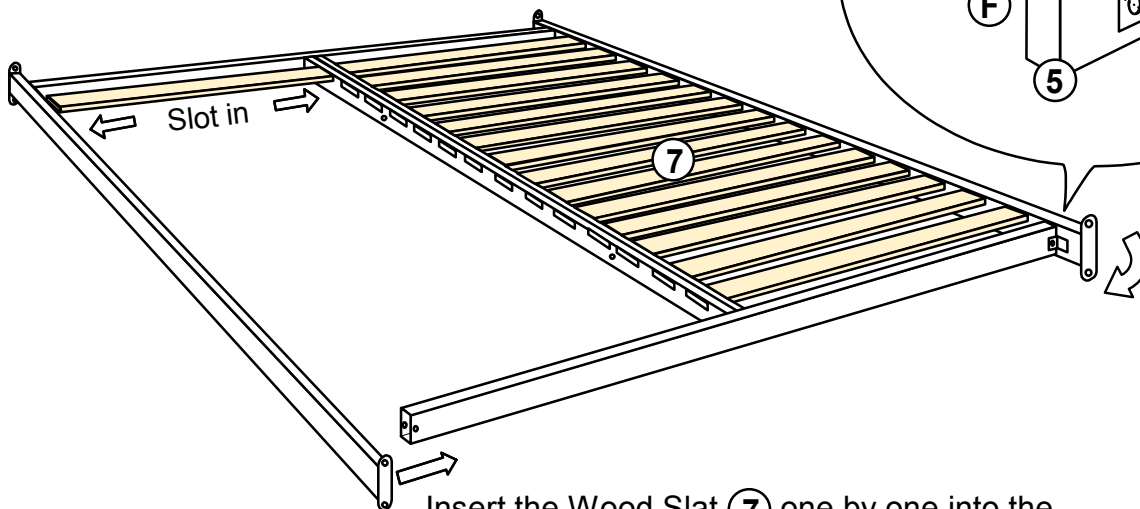
Follow the direction of the arrow on the label. Failure may result in damage.



Attach one end of the Siderail to the Cross Bar only.

STEP 2:

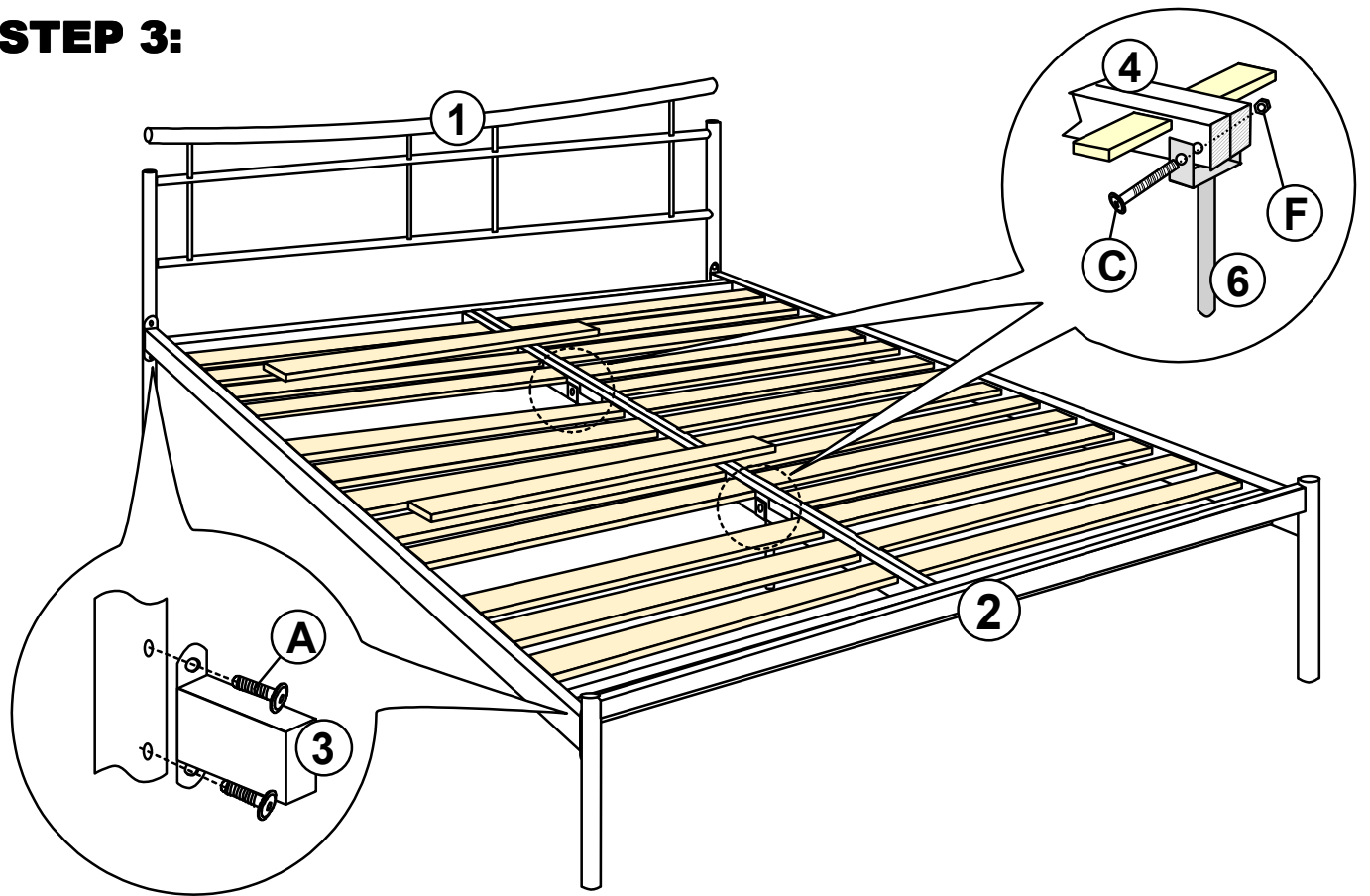
Attach the other end after all Wooden Slat inserted.



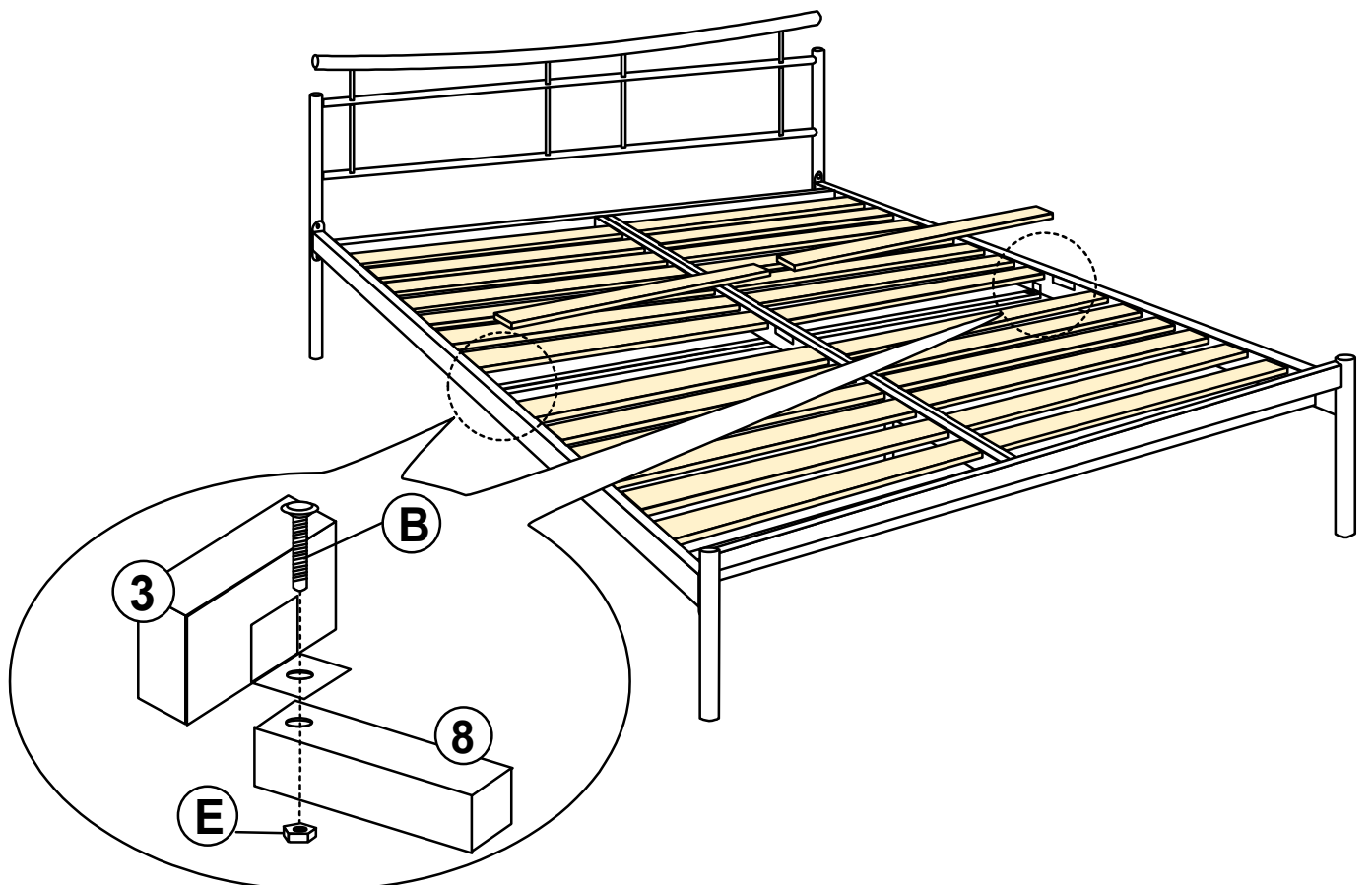
Insert the Wood Slat (7) one by one into the slots while moving the other end of the Siderail slightly inward until all 14 slats are inserted.

ASSEMBLY..

STEP 3:



STEP 4:



CARE AND MAINTENANCE

FURNITURE/ BED

1. When assembling your furniture/ bed please ensure that you have checked the contents for all relevant parts.
2. When tightening bolts make sure that they are fully tightened but not forced.
3. When moving your fully assembled bed you must first remove the mattress and lift the frame into position, take care when lifting and always have two people handling the bed. PLEASE DO NOT DRAG THE BED as this will cause damage to the rail.
4. It is advisable to use approved cleaning products when cleaning the furniture and bed frame as certain chemical based cleaners could have an adverse effect on the bed finish.