

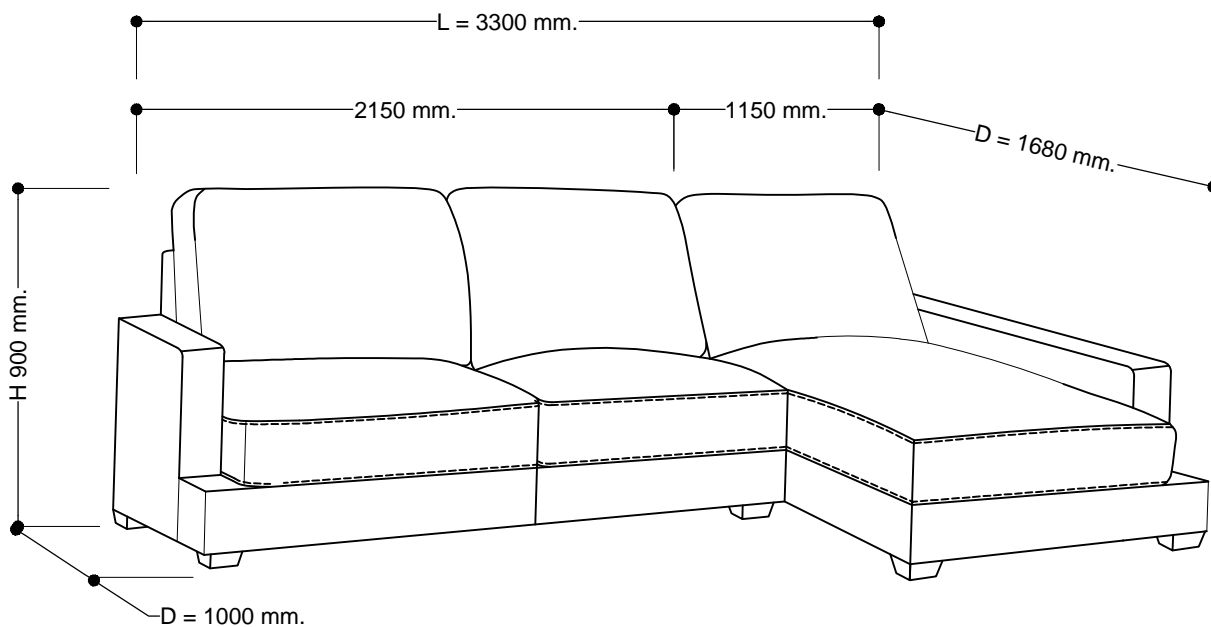


## ASSEMBLY INSTRUCTION

ARIANNA - 3 SEATER CHAISE

ITEM CODE : 65791

Imported by Amart Furniture Pty Ltd, Qld, Brisbane Australia.  
For any assistance with assembly or for missing parts please phone  
Amart Furniture, Customer Service Free call 1800 351 084





Imported by Amart Furniture Pty Ltd, Qld, Brisbane Australia.  
For any assistance with assembly or for missing parts please phone  
Amart Furniture, Customer Service Free call 1800 351 084

# PRE-ASSEMBLY PREPARATION

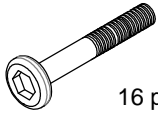
## Before you start :

1. Choose a clean, level, spacious assembly area. Avoid hard surfaces that may damage the product.
2. Take care when lifting. Product should be assembled as near as possible to the point of use.
3. Ensure that you have all required contents for complete assembly.
4. Always read the assembly instructions carefully before beginning assembly.
5. Keep all hardware parts and packaging out of reach of small children.
6. Do not over tighten the screws bolts as this may damage the threads.

	
<b>ALLOW 20 MINUTES</b>	<b>2 PEOPLE REQUIRED</b>

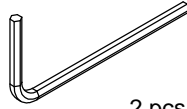
# PARTS LIST

A : BOLT M8 x 65 mm



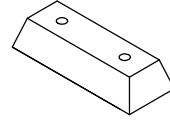
16 pcs.

B : Hexagon key M5



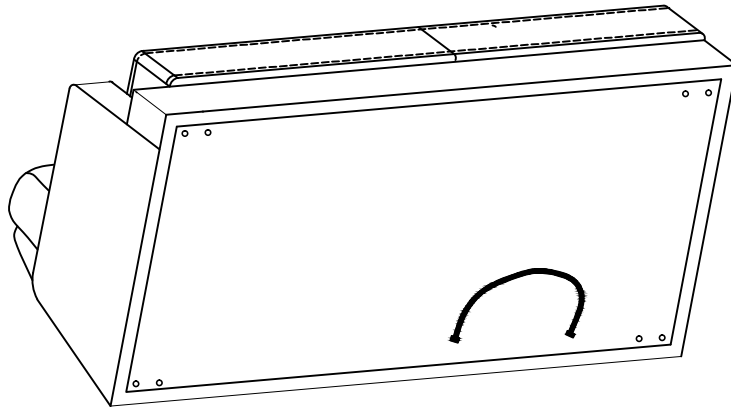
2 pcs.

C : FEET

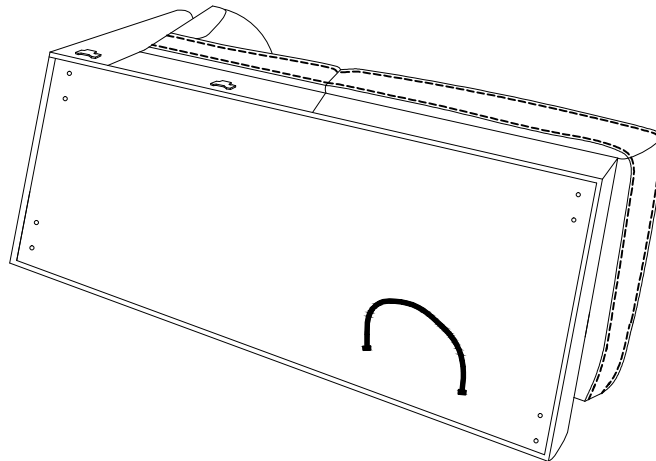


8 pcs.

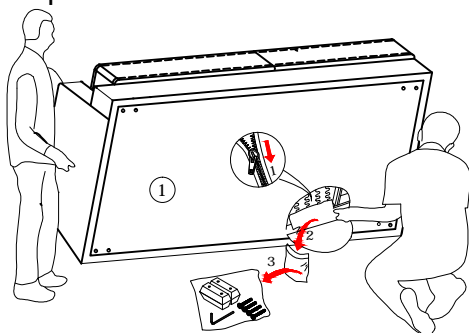
## ① : 2 SEATER 1 ARM



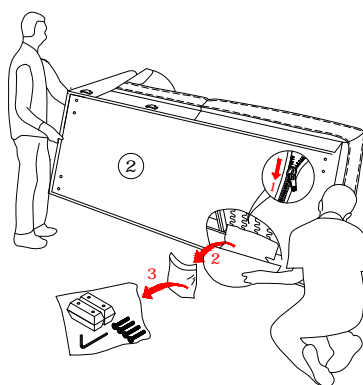
## ② : CHAISE



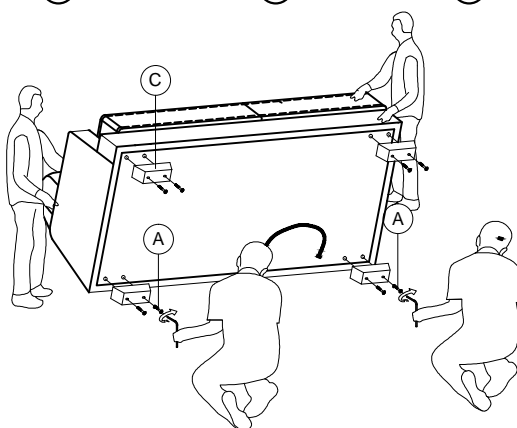
**STEP 1 :** With 2 People Carefully Turn Lounge Over onto a Sheet or a piece of cardboard  
Unzip and remove the parts from the dust cover underneath the sofa.



**STEP 2 :** With 2 People Carefully Turn Lounge Over onto a Sheet or a piece of cardboard  
Unzip and remove the parts from the dust cover underneath the sofa.

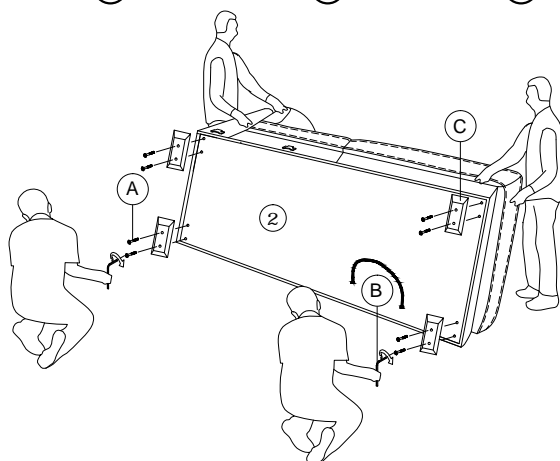


**STEP 3 :** Tighten the feet (C) to the sofa (1) with bolts (A) with tool (B)



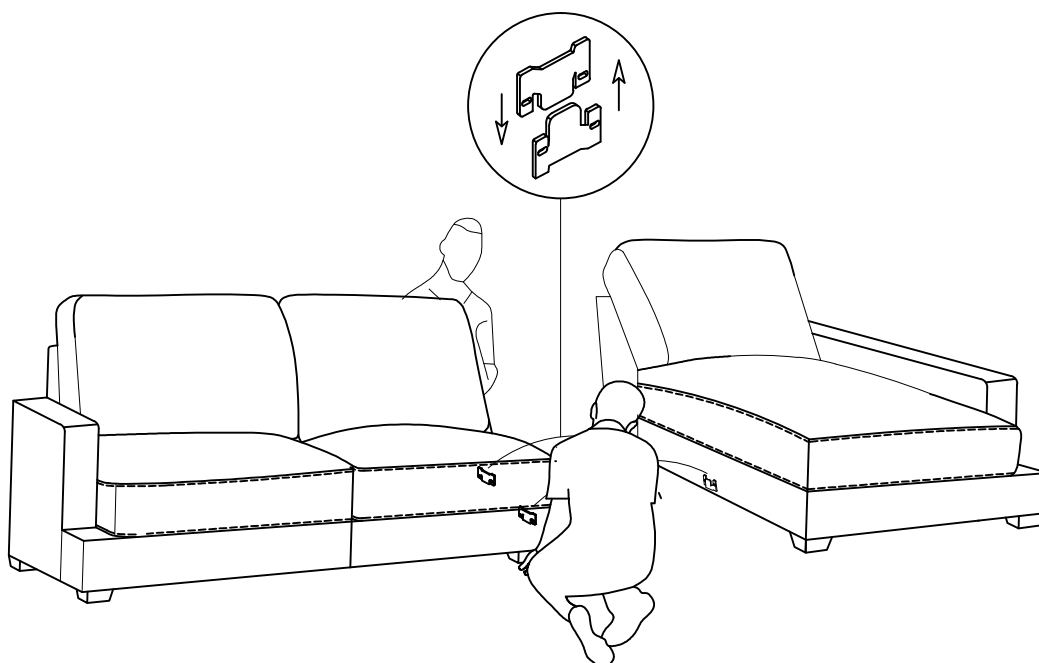
With 2 People Carefully Turn Sofa Back Over

**STEP 4 :** Tighten the feet (C) to the sofa (2) with bolts (A) with tool (B)

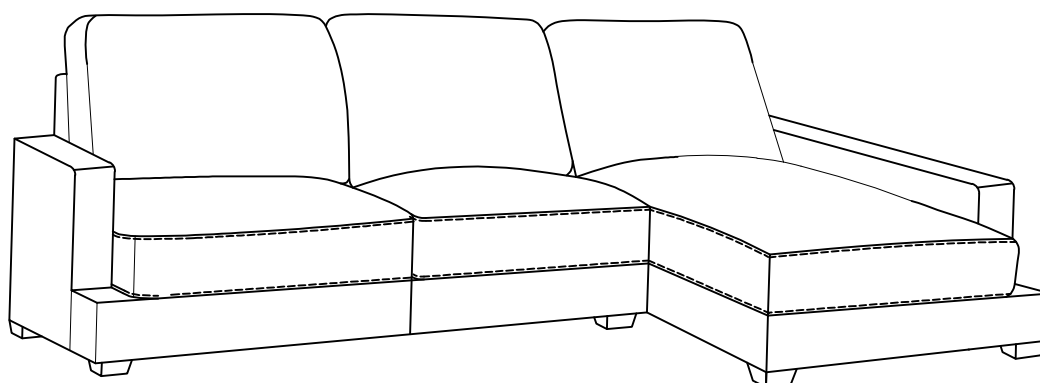


With 2 People Carefully Turn Sofa Back Over

**STEP 5** : Attach the chaise to the sofa with the connectors.



**STEP 6** : Assembly is complete.



# Product Care for Fabric Items

## REGULAR CARE:

- Protect from direct sunlight
- Vacuum regularly using suction
- Rotate reversible cushions regularly
- Avoid exposure to new clothing, cushions or throws as this may lead to dye transfer and permanent staining

## CLEANING:

- Do not removes for separate cleaning even though they may have zippers
- Do not wash, Do not dry clean, Do not shampoo clean
- Clean only with hot water extraction machine. Professional cleaning recommended
- Do not use dishwashing liquid or laundry detergent. Use only upholstery detergents
- Do not wet filling
- Dry in shade away from direct heat and sunlight
- Allow to dry thoroughly before re-use

## SPOT CLEANING:

- Do not rub
- Do not spot clean with any solvent
- Treat spills and stains as soon as possible
- Gently scrape off any soil or blot any liquid from the surface of the fabric before applying cleaner
- Apply proprietary cleaning agents strictly according to instructions to remove the residue of the spill
- Do not saturate the fabric or interior with water or other cleaning liquids

## WARNING:

Apply only water-based soil resist (fabric protection) treatments. Do not use aerosol products

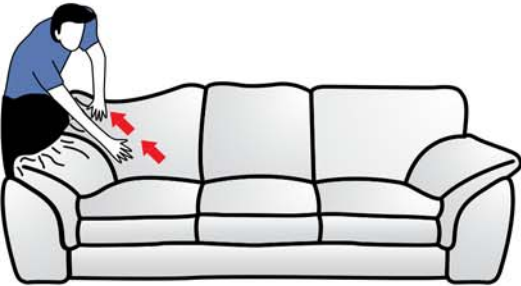
- \* PILLING IS NOT A FABRIC DEFECT OR FAULT AND IS NOT COVERED BY WARRANTY
- \* PILLING IS A NORMAL OCCURRENCE CAUSED BY WEAR AND TEAR AND DOES NOT AFFECT THE DURABILITY OR FUNCTIONALITY OF THE FABRIC AND IS EASILY REMOVED

**1**



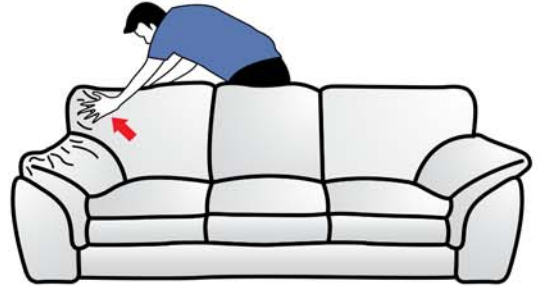
Your sofa may require dressing on delivery. Before using, please reshape the cushions to restore to its original beauty.

**2**



Adjust the back cushions with both hands, starting from the lower and moving to the top as in the picture.

**3**



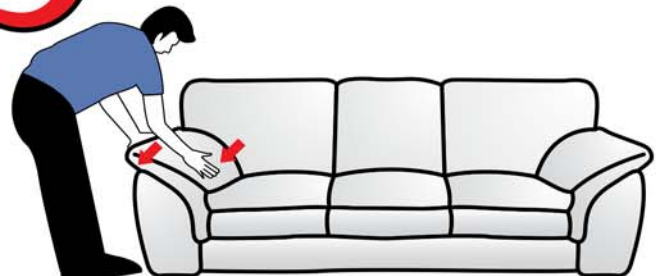
Next, adjust the back cushions with one hand and supporting the back with other hand.

**4**



Next, use one hand to pull the outside end to the back cushions then adjust it with the other towards the outside end as in the picture.

**5**



Next, move to the armrests, adjust them evenly from the center towards the outside end.