



ASSEMBLY INSTRUCTION

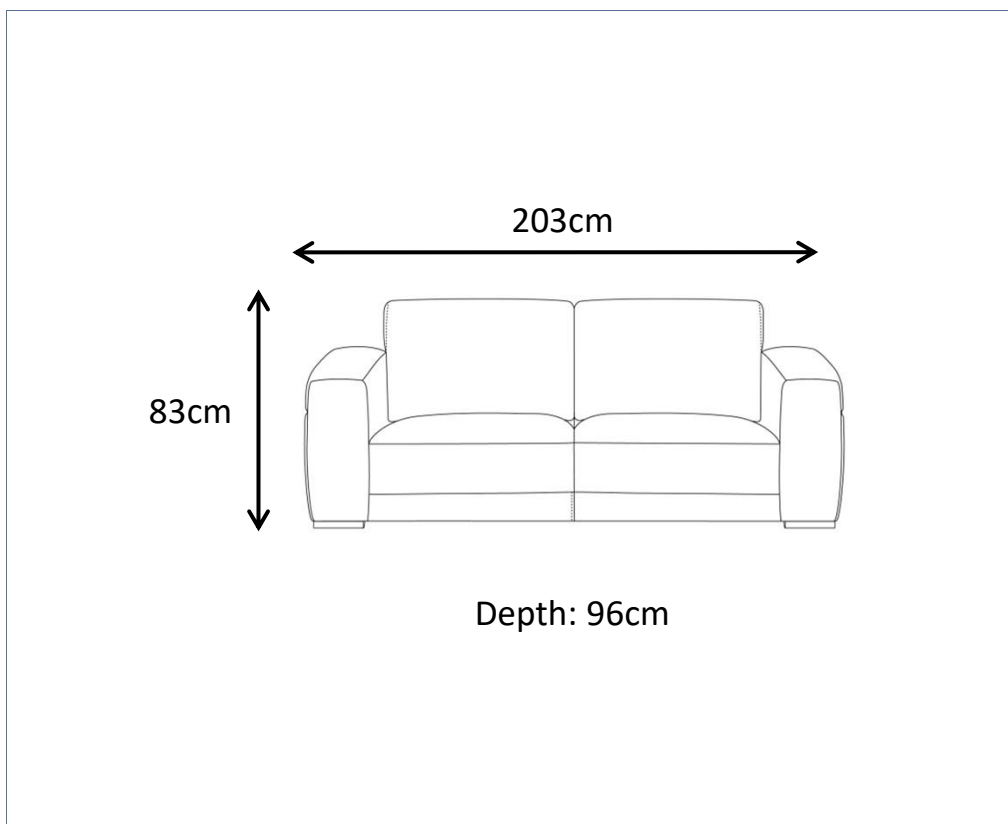
LEONE 2.5 SEATER

ITEM CODE 80689

Imported by Amart Furniture Pty Ltd, Qld, Brisbane Australia.

For any assistance with assembly or for missing parts please phone

Amart Furniture, Customer Service Free call 1800 351 084



Imported by Amart Furniture Pty Ltd, Qld, Brisbane Australia.



For any assistance with assembly or for missing parts please phone

Amart Furniture, Customer Service Free call 1800 351 084


PRE-ASSEMBLY PREPARATION

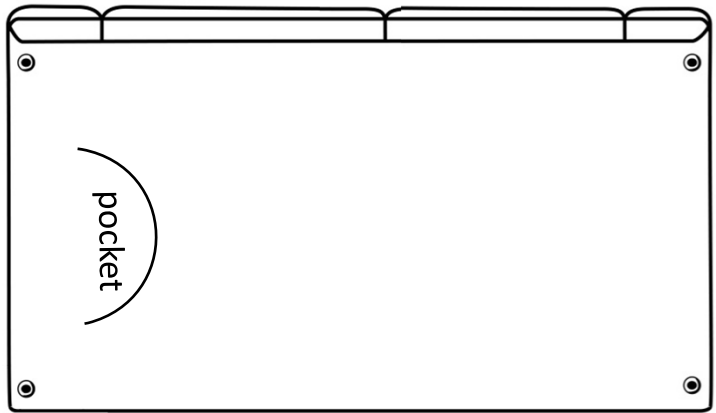
Before you start:

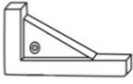


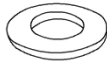

1. Choose a clean, level, spacious assembly area. Avoid hard surfaces that may damage the product
2. Take care when lifting. Product should be assembled as near as possible to the point of use
3. Ensure that you have all required contents for complete assembly
4. Always read the assembly instructions carefully before beginning assembly.
5. Keep all hardware parts and packaging out of reach of small children.
6. Do not over tighten the screws and bolts as this may damage the threads

	
ALLOW 10MINUTES	PEOPLE REQUIRED
ADDITIONAL TOOLS REQUIRED	

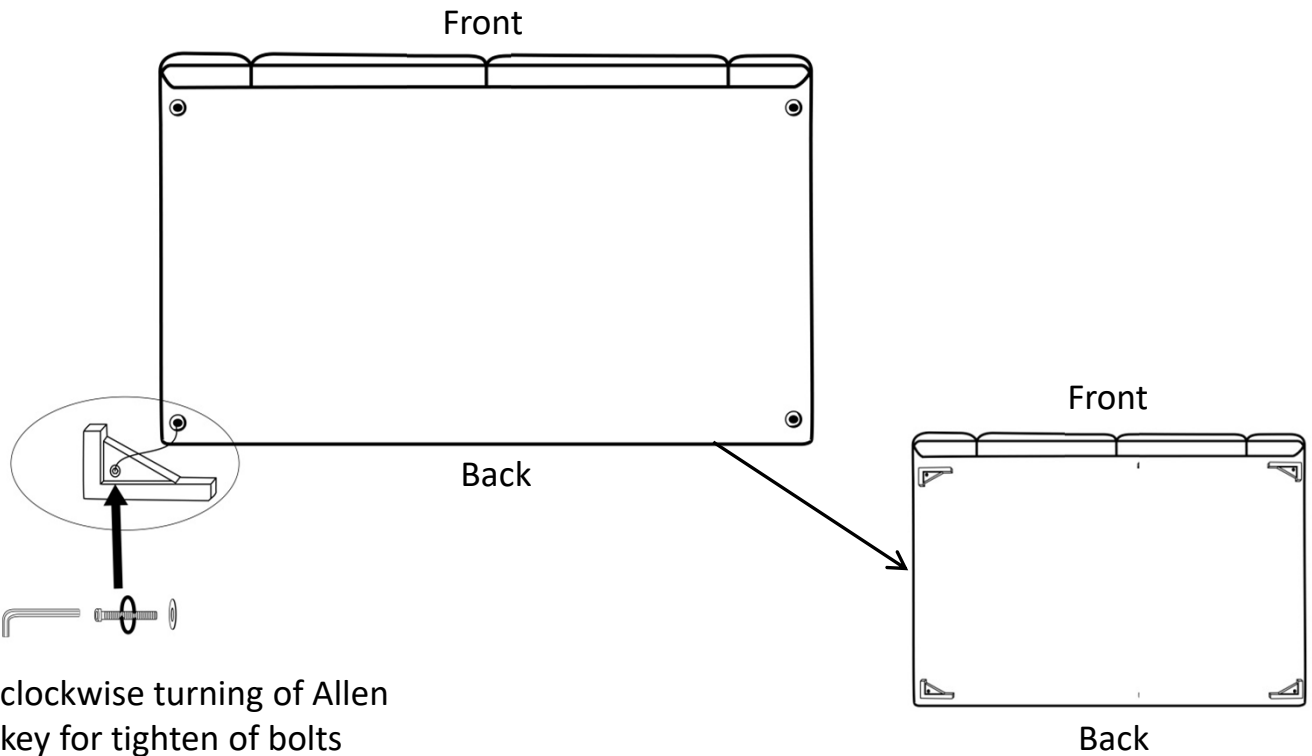
Step1: Locate package of sofa legs with fittings that is placed into zipper pocket at the bottom of 2.5Seater.

 With 2 people, carefully turn lounge onto back of a piece of cardboard or carpet to protect covering

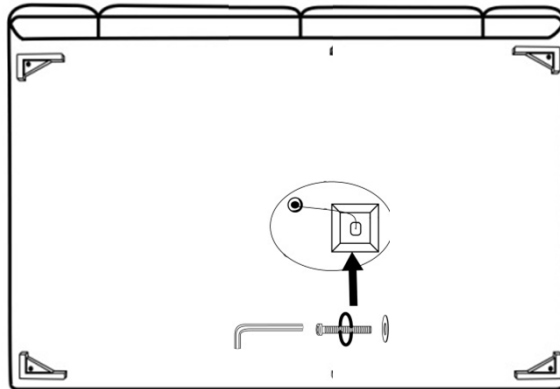


<p>a. Sofa Leg  2pairs</p>	<p>b. Plastic Leg  1pcs</p>	<p>c. Bolt M8X50  5pcs</p>	<p>d. Washer 18*8.5*2mm  5pcs</p>	<p>e. Allen key  1pcs</p>
--	---	--	--	---

Step2: Tighten the pairs of sofa legs (a) to the bottom of 2.5Seater with bolts (c) and washers (d) by Allen key (e).

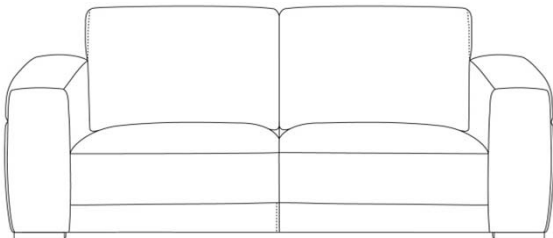


Step3: Tighten the plastic leg (b) to the bottom of 2.5Seater with bolts (c) and washers (d) by Allen key (e).



clockwise turning of Allen
key for tighten of bolt

ASSEMBLY IS COMPLETE



CARE AND MAINTENANCE

FABRIC CARE

REGULAR CARE: PROTECT FROM DIRECT SUNLIGHT.
VACUUM REGULARLY USING LOW SUCTION.
ROTATE REVERSIBLE CUSHIONS REGULARLY.

CLEANING:

DO NOT REMOVE CUSHION COVERS FOR SEPARATE
CLEANING EVEN THOUGH THEY HAVE ZIPPERS.

DO NOT WASH

DO NOT DRY CLEAN

DO NOT SHAMPOO CLEAN

CLEAN WITH HOT-WATER EXTRACTION MACHINE.

(HOT) PROFESSIONAL CLEANING RECOMMENDED.

DO NOT USE DISHWASHING OR LAUNDRY DETERGENTS.

USE ONLY UPHOLSTERY DETERGENTS

DO NOT WET FILLING

DRY IN SHADE AWAY FROM DIRECT HEAT AND SUNLIGHT

ALLOW TO DRY THOROUGHLY BEFORE RE-USE

SPOT CLEANING:

DO NOT RUB

DO NOT SPOT CLEAN WITH ANY SOLVENT.

TREAT SPILLS AND STAINS AS SOON AS POSSIBLE.

GENTLY SCRAPE ANY SOIL OR MOP ANY LIQUID FROM THE SURFACE OF THE
FABRIC.

APPLY PROPRIETARY CLEANING AGENTS STRICTLY
ACCORDING TO INSTRUCTIONS TO REMOVE THE
RESIDUE OF THE SPILL.

DO NOT SATURATE THE FABRIC OR INTERIOR WITH
WATER OR OTHER CLEANING LIQUIDS.

WARNING: APPLY ONLY WATER-BASED SOIL RESIST
(FABRIC PROTECTION) TREATMENTS. DO NOT USE
AEROSOL PRODUCTS.

Feature Care Instruction

Care Instructions for Feather-Filled Cushions:

Fluff and Shake: Regularly fluff and shake your feather-filled cushions to maintain their loft and restore their shape. This helps redistribute the feathers evenly and prevents them from clumping together. If the cushion looks flat, it's time to fluff it.

Rotate and Reverse: Rotate and reverse the cushions frequently to ensure even wear and tear. This helps prevent one side from flattening more quickly than the other.

Protect from Direct Sunlight: Avoid placing feather-filled cushions in direct sunlight for prolonged periods. Exposure to direct sunlight can cause the fabric to fade and the feathers to become brittle.

Avoid Moisture: Keep feather-filled cushions away from moisture and damp areas. Moisture can lead to the growth of mold or mildew, which can damage the feathers and create unpleasant odors.

Gentle Spot Cleaning: If a spill or stain occurs on the cushion, attend to it promptly. Blot the affected area with a clean, absorbent cloth or sponge, using a mild detergent or an approved Amart upholstery cleaner suitable for feather-filled products. Avoid rubbing, as this can push the stain deeper into the fabric.

Professional Cleaning: Periodically, it is recommended to have your feather-filled cushions professionally cleaned. Professional cleaners have the expertise and equipment to effectively clean and refresh the cushions without damaging the feathers or fabric.

Remember, following these care instructions will help maintain the longevity and comfort of your feather-filled cushions, ensuring that they continue to provide you with cozy and luxurious seating for years to come.

Note:- Sometimes feathers may work their way out of the fabric casing. This is normal and not a manufacturing fault.

