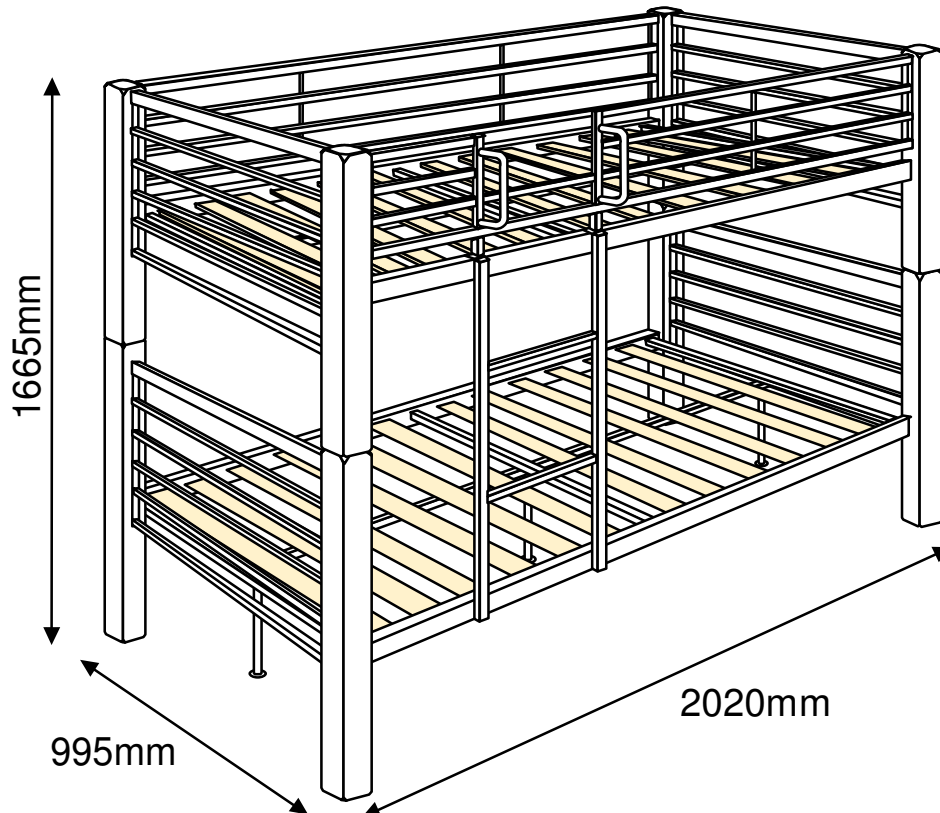




ASSEMBLY INSTRUCTION
ORIENT BUNK BED
ITEM CODE - 55758

Imported by Amart Furniture Pty Ltd, Qld, Brisbane Australia.
For any assistance with assembly or for missing parts please phone
Amart Furniture, Customer Service Free call 1800 351 084



Important:

DUE TO THE SIZE OF THIS UNIT, WE RECOMMEND THAT ASSEMBLING IS DONE IN THE ROOM INTENDED FOR USE AND ASSEMBLED BY TWO PEOPLE.

WARNING:

TOP BUNK AND ELEVATED BEDS ARE DANGEROUS AND ARE NOT RECOMMENDED FOR CHILDREN UNDER THE AGE OF 9

Falls from elevated beds can be fatal and deaths have occurred where children have fallen from elevated beds. this is relevant for all ages. The risk is greater for younger children.

The risk of injury or death from a fall from an elevated bed compared to a non-elevated bed is:

- 10 x greater for 7-8 year olds
- 7 x greater for 9-10 year olds
- 3 x greater for 11-12 year olds

WARNING:

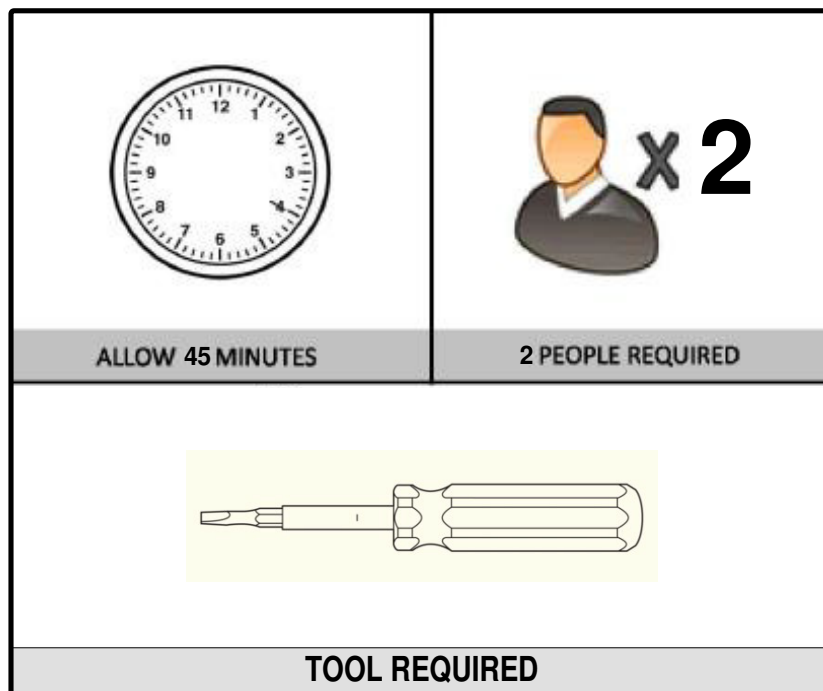
The upper bunk must be more than 2m from any ceiling fan.



PRE-ASSEMBLY PREPARATION

Before you start:

1. Choose a clean, level, spacious assembly area. Avoid hard surfaces that may damage the product
2. Take care when lifting. Product should be assembled as near as possible to the point of use
3. Ensure that you have all required contents for complete assembly
4. Always read the assembly instructions carefully before beginning assembly.
5. Keep all hardware parts and packaging out of reach of small children.
6. Do not over tighten the screws and bolts as this may damage the threads



WARNING

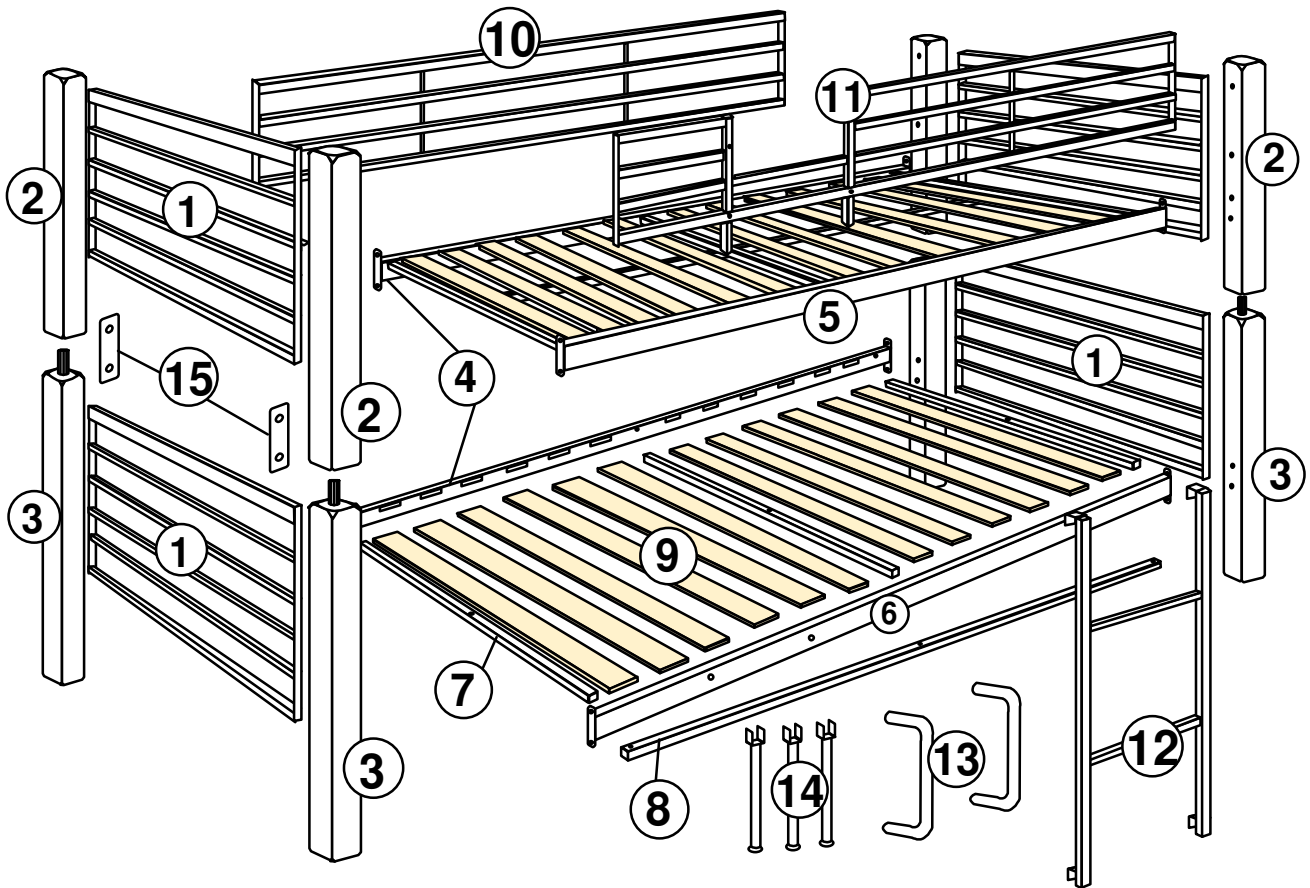
To help prevent serious or fatal injuries from entanglement or falls:

- Use the correct size mattress as specified
- Upper surface of mattress must be at least 160mm below upper edge of guard rails
- Follow all written instructions included with this bed
- Use guardrails on both sides of upper bunk
- Check the bunk bed periodically to ensure that the guardrails, access device and other components are maintained in the correct position and state of repair and that all connectors are tight with nothing protruding more than 8mm
- Ensure the upper bunk is more than 2m from any ceiling fan
- Prohibit horseplay on under bed
- Prohibit more than one person on the upper bunk

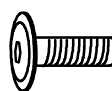
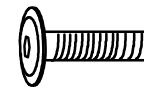
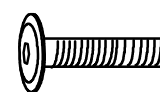
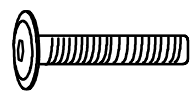
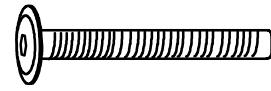
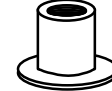


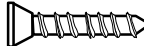
TOP BUNKS AND ELEVATED BEDS ARE DANGEROUS AND ARE NOT RECOMMENDED FOR CHILDREN UNDER THE AGE OF 9.

DO NOT REMOVE THIS LABEL

PART LIST

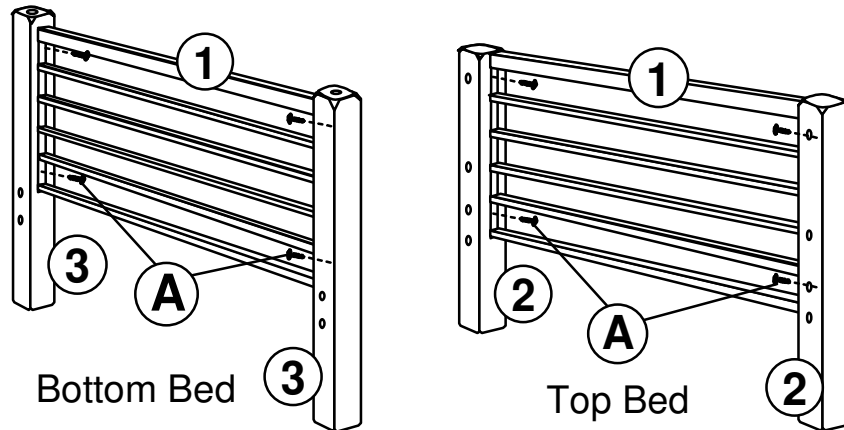


1	Metal Frame x 4pcs
2	Short Wood Post (Upper Bunk) x 4pcs
3	Long Wood Post (Bottom Bunk) x 4pcs
4	Upper/Bottom Bunk Back Siderail x 2pcs
5	Upper Bunk Front Siderail x 1pc (2 holes on the top surface for assembly of Ladder)
6	Bottom Bunk Front Siderail x 1pc
7	Cross Bar x 6pcs
8	Centre Bar x 2pcs
9	Wooden Slats x 24pcs (958mmx65mmx1mm)
10	Back Guardrail x 1pc
11	Front Guardrail x 1pc
12	Ladder x 1pc
13	Handrails x 2pcs
14	Support Legs x 3pcs
15	Small Bracket x 4pcs

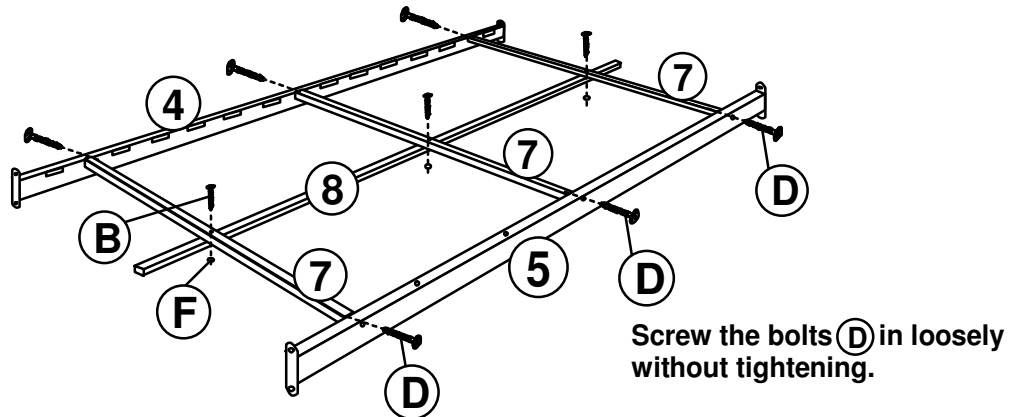
A M6x20mm bolts x 40pcs 	B M6x30mm bolts x 3pcs 
C M6x40mm bolts x 6pcs 	D M6x50mm bolts x 15pcs 
E M6x80mm Bolts x 2pcs 	F JCN M6x12 Nuts x 3pcs 
G Wooden Dowels x 4pcs (Packed with Wood Post) 	H M4 Allen Key x 1pc (used with M6 bolts) 
I Wood Screw 4.1 x 12mm x 8pcs 	

ASSEMBLY..

STEP 1: Attached metal frame ① to short wood post ② and long wood post ③ to form the bedend.
Assembling the upper/bottom bunk bed leg, for upper leg attach metal frame ① to short wood post ②, for bottom attach metal frame ① to long wood post ③



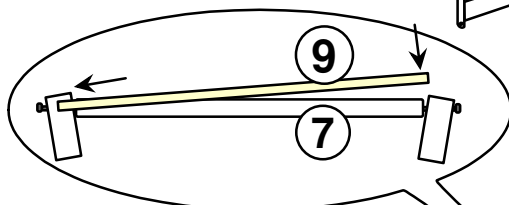
STEP 2: Assembling the upper bunk bed base. Attach Upper/Bottom Bunk Back Siderail ④ with cross bar ⑦ and centre bar ⑧ to cross bar ⑦



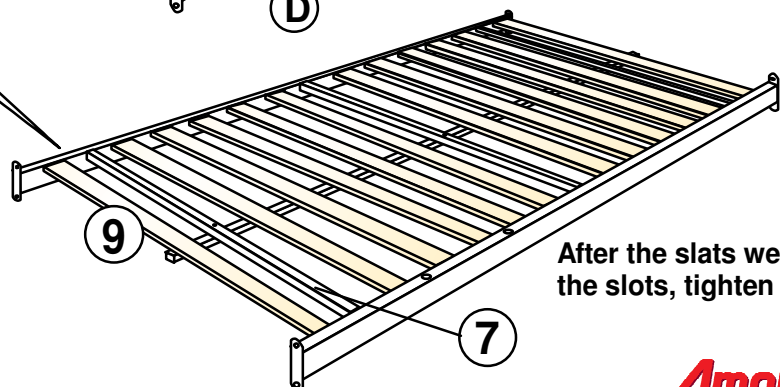
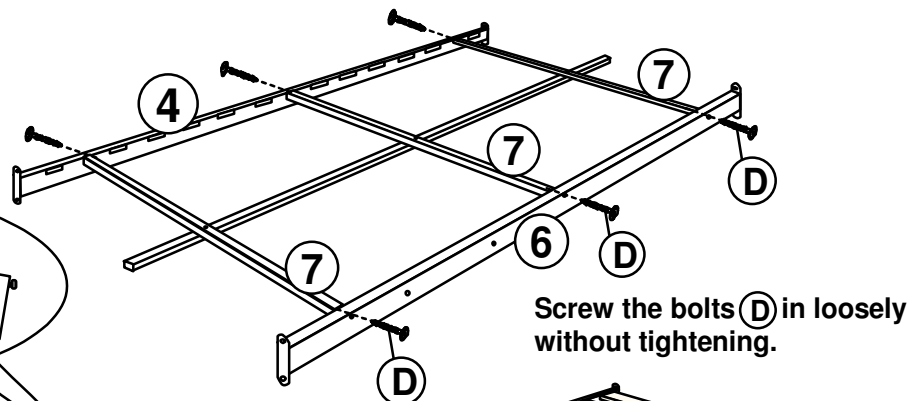
STEP 3: Assembling the Bottom Bunk Bed base.
Attach Upper/Bottom Bunk Back Siderail ④ and Bottom Bunk Front Siderail ⑥ with Cross Bar ⑦

STEP 4:

Front view



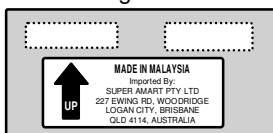
Place the siderails at an angle as shown. Starting with one side, insert the wooden slats into the slots. Do the same for the other side.



IMPORTANT!! TAKE NOTE!!

Ensure slots are on the upper side of the Siderail; with the sides without slots facing outwards.

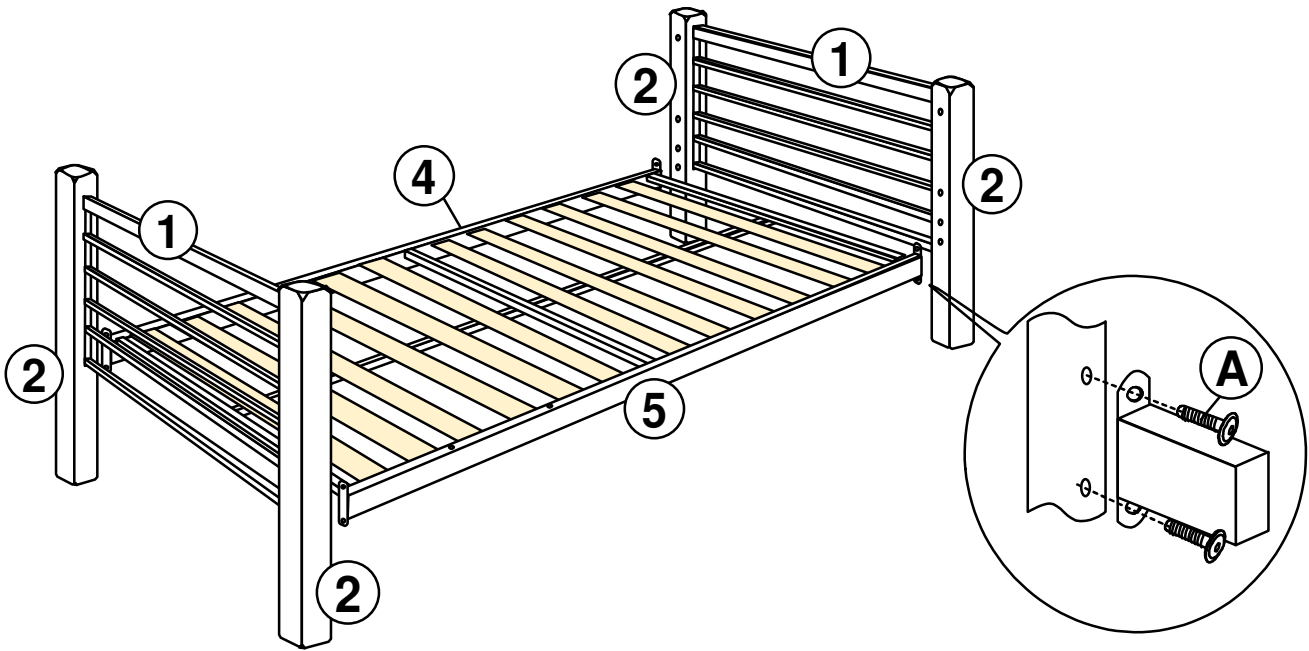
Follow the direction of the arrow on the label. Failure may result in damage.



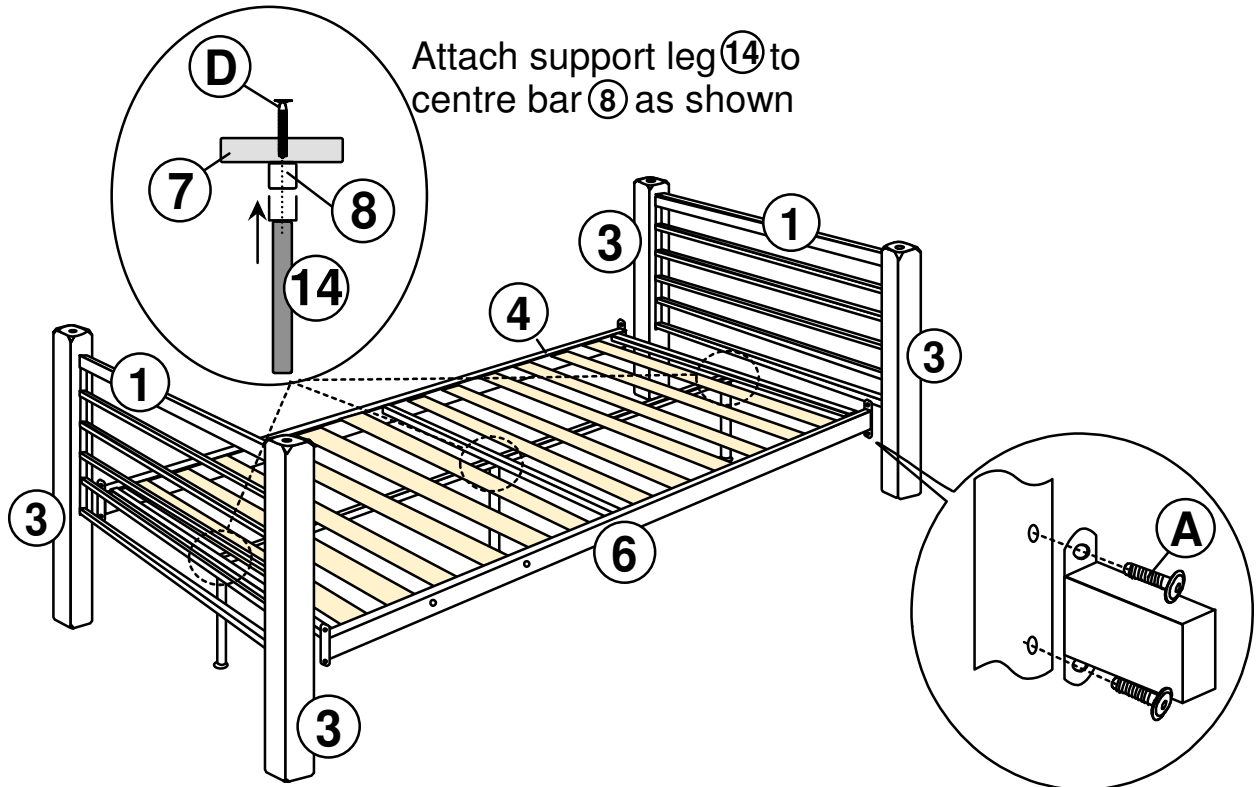
Amart
Furniture

ASSEMBLY..

STEP 5: Attach Upper Bunk Bed Base to the Bedends ① ②

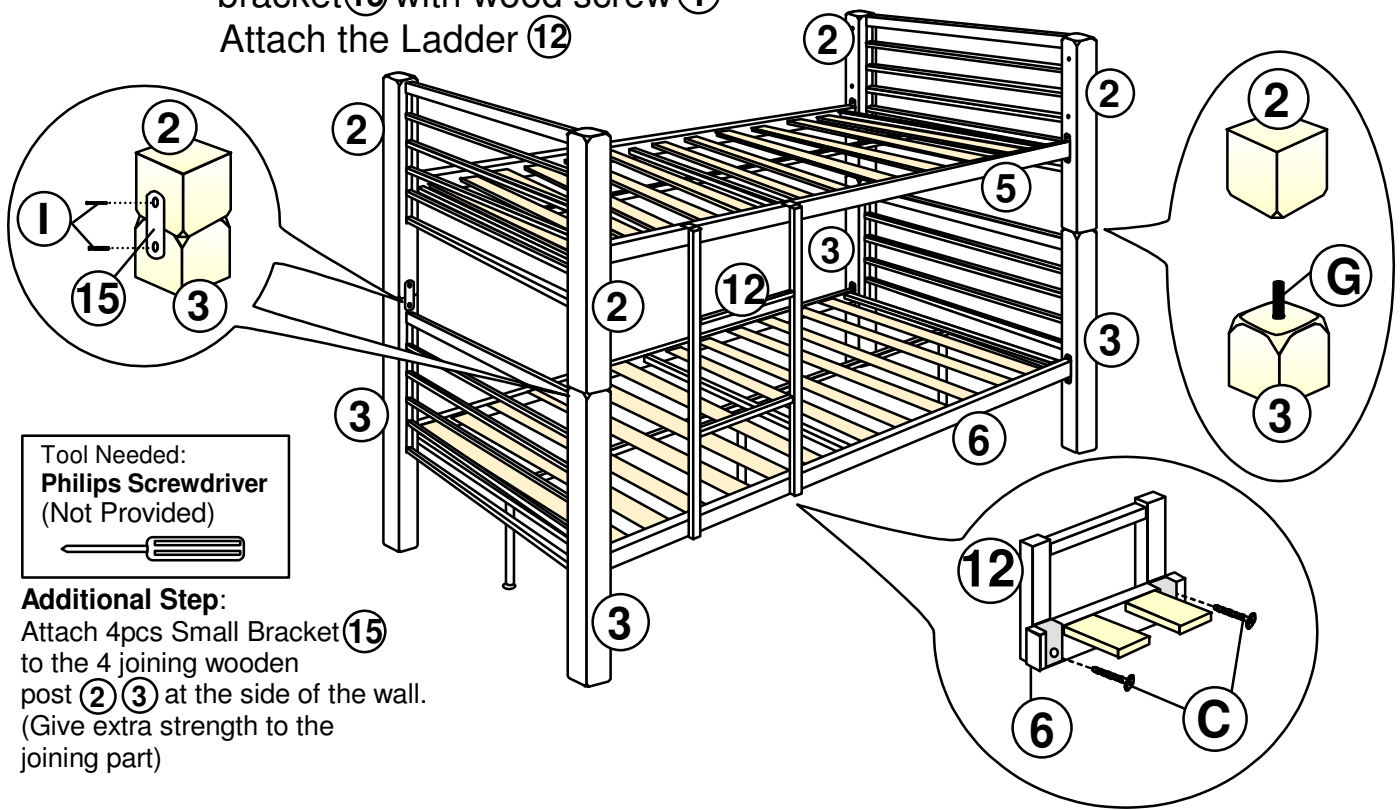


STEP 6: Attach Bottom Bunk Bed Base to the Bedends ① ③
Attach centre bar ⑧ and support legs ⑭ to the bedbase centre.

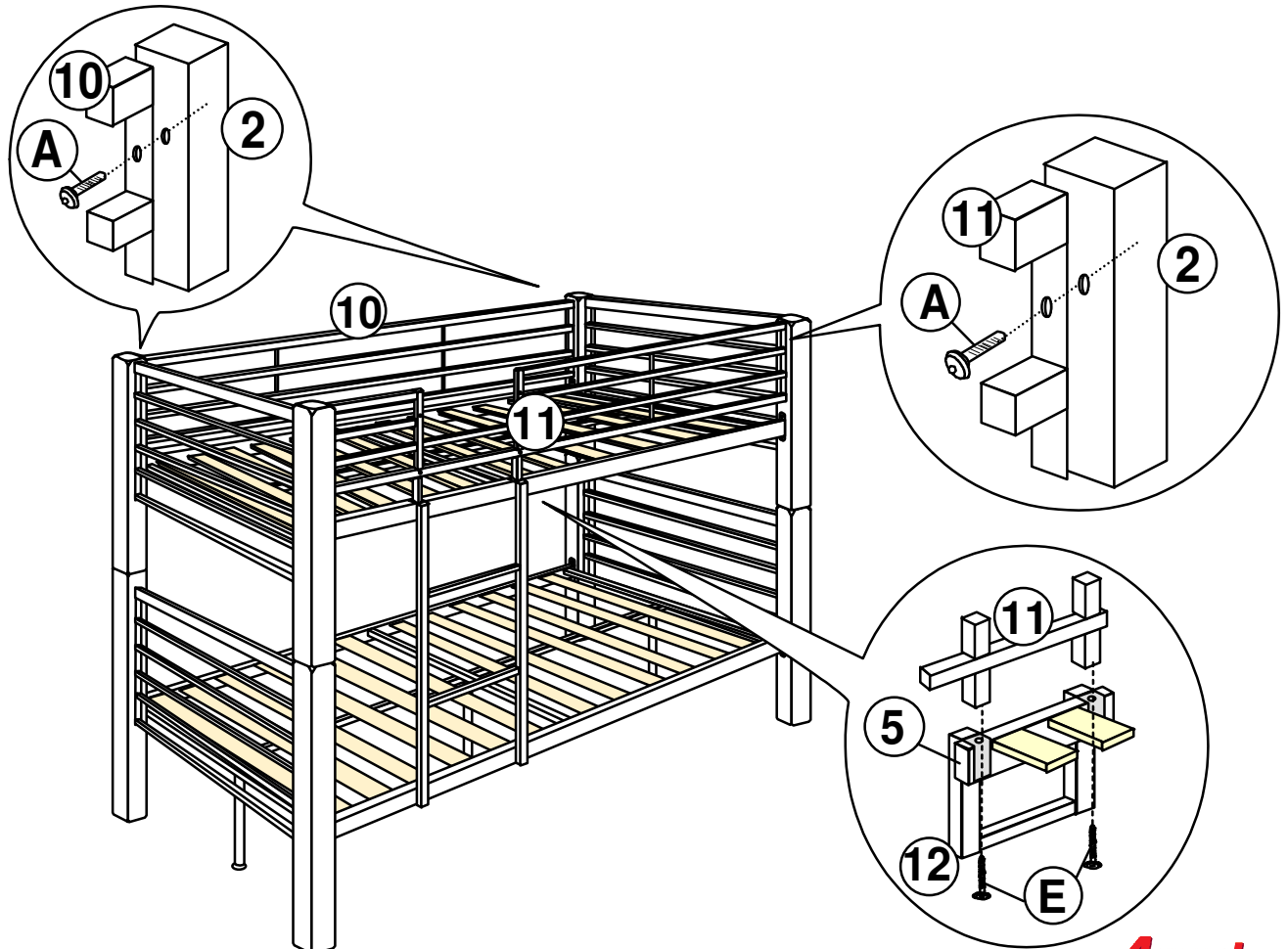


ASSEMBLY..

STEP 7: Join the Upper Bunk and Bottom Bunk with Wood Dowels (G) and small bracket (15) with wood screw (I)
Attach the Ladder (12)

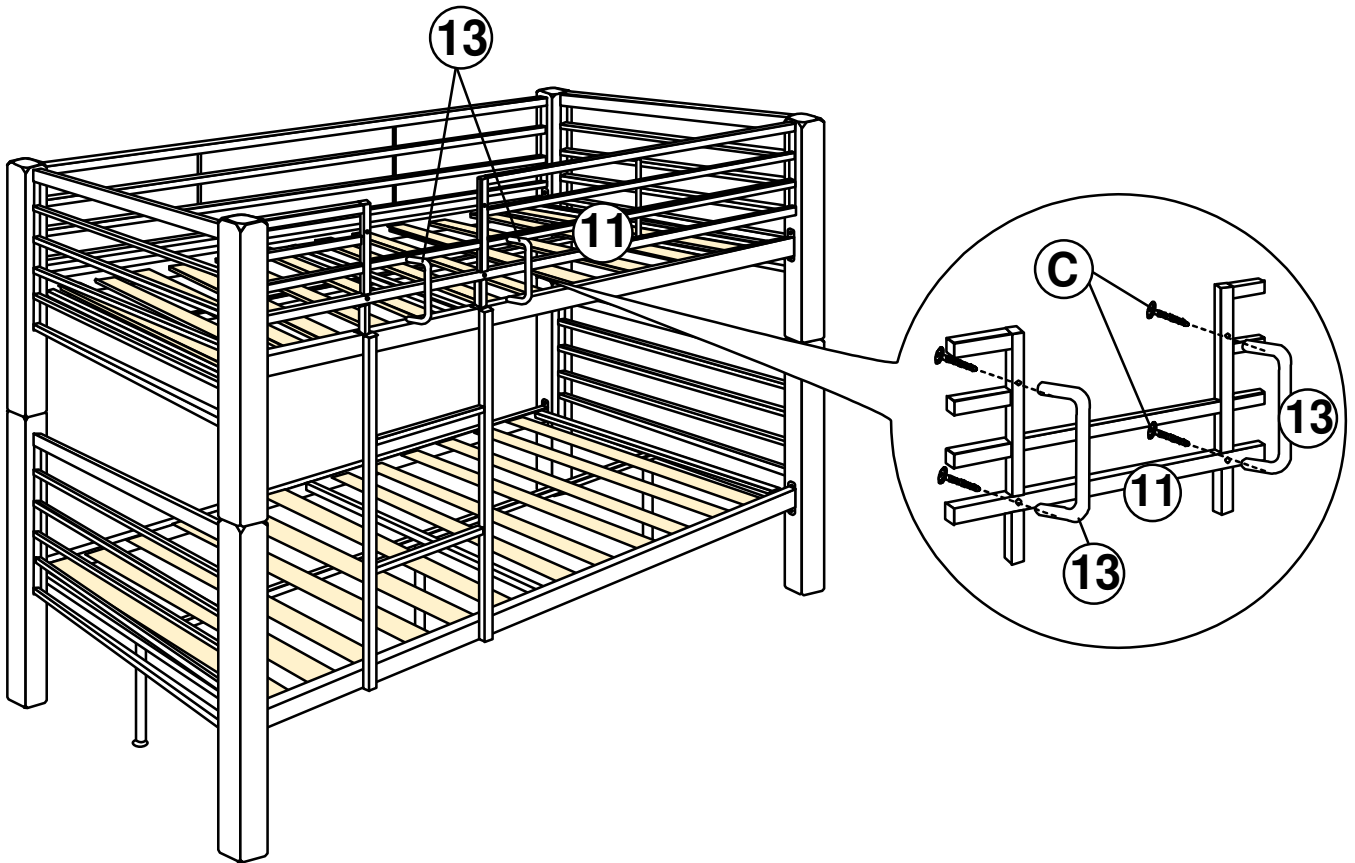


STEP 8: Attach the Back Guardrail (10) and Front Guardrail (11)

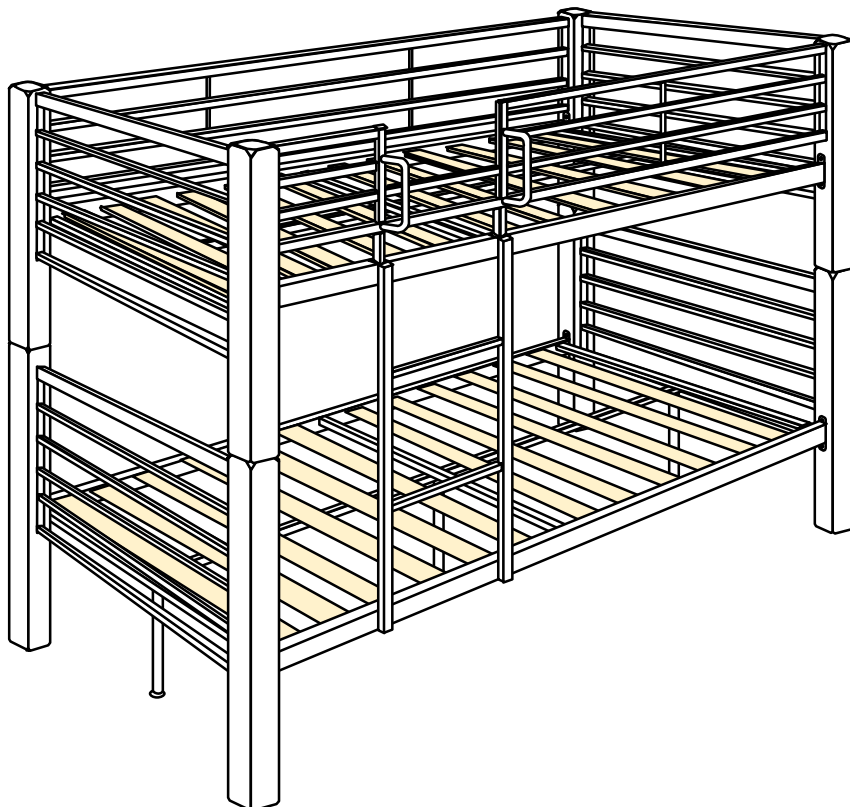


ASSEMBLY..

STEP 9: Attach the Handrail ⑬



Assembly Is Complete



CARE AND MAINTENANCE

FURNITURE/ BED

1. When assembling your furniture/ bed please ensure that you have checked the contents for all relevant parts.
2. When tightening bolts make sure that they are fully tightened but not forced.
3. When moving your fully assembled bed you must first remove the mattress and lift the frame into position, take care when lifting and always have two people handling the bed. PLEASE DO NOT DRAG THE BED as this will cause damage to the rail.
4. It is advisable to use approved cleaning products when cleaning the furniture and bed frame as certain chemical based cleaners could have an adverse effect on the bed finish.