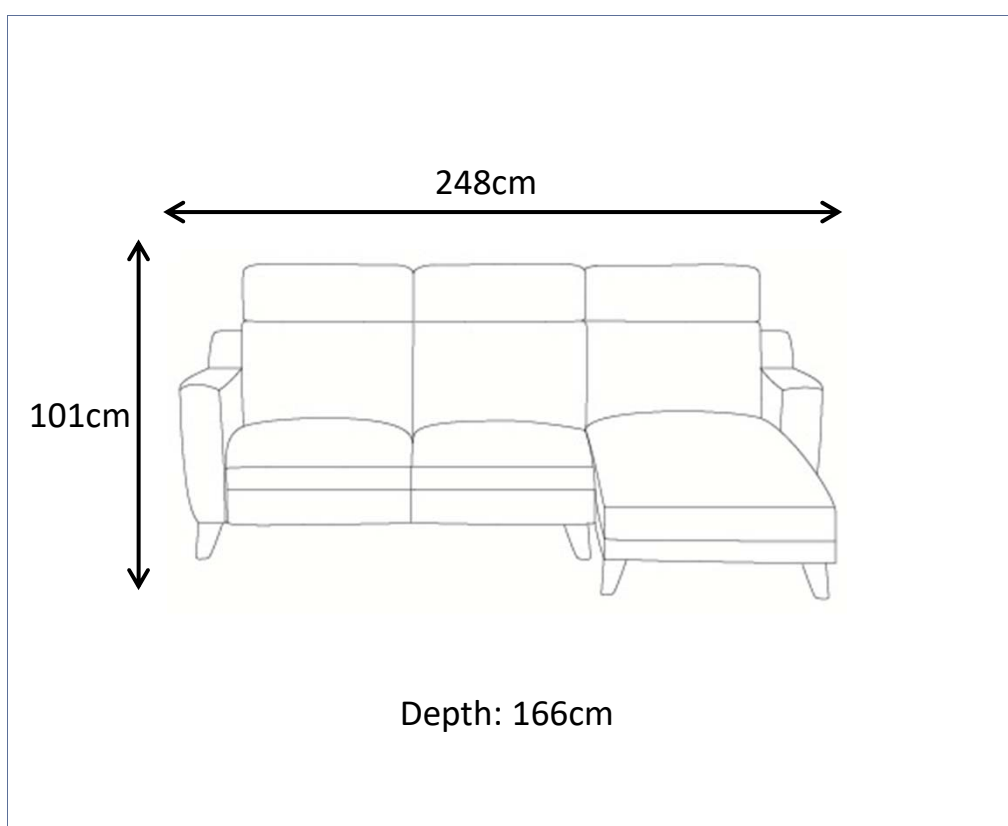




ASSEMBLY INSTRUCTION
DELUCA 3.5 SEATER WITH CHAISE
ITEM CODE 66139

Imported by Amart Furniture Pty Ltd, Qld, Brisbane Australia.
For any assistance with assembly or for missing parts please phone
Amart Furniture, Customer Service Free call 1800 351 084





Imported by Amart Furniture Pty Ltd, Qld, Brisbane Australia.
For any assistance with assembly or for missing parts please phone
Amart Furniture, Customer Service Free call 1800 351 084

PRE-ASSEMBLY PREPARATION

Before you start:

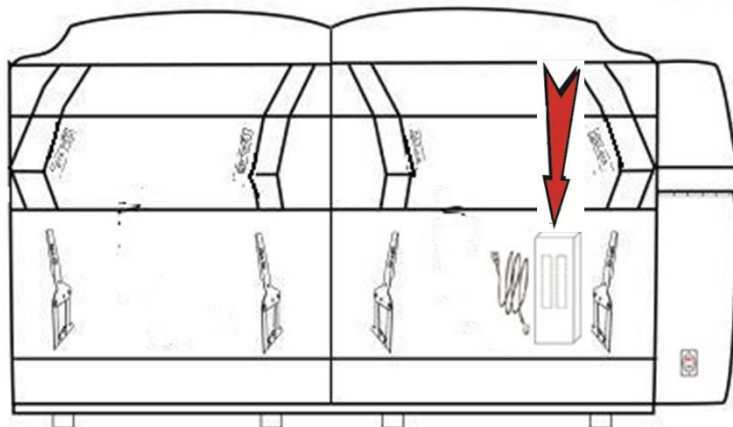
1. Choose a clean, level, spacious assembly area. Avoid hard surfaces that may damage the product
2. Take care when lifting. Product should be assembled as near as possible to the point of use
3. Ensure that you have all required contents for complete assembly
4. Always read the assembly instructions carefully before beginning assembly.
5. Keep all hardware parts and packaging out of reach of small children.
6. Do not over tighten the screws and bolts as this may damage the threads






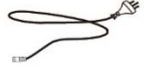
	
ALLOW 15MINUTES	PEOPLE REQUIRED
ADDITIONAL TOOLS REQUIRED	

WARNING

- Do Not allow children to play on this mechanised furniture or operate the mechanism. Leg rest folds down on closing so that a child could possibly be injured. Always leave in an upright and closed position. Keep hands and feet clear of mechanism. Only the occupant should operate it.

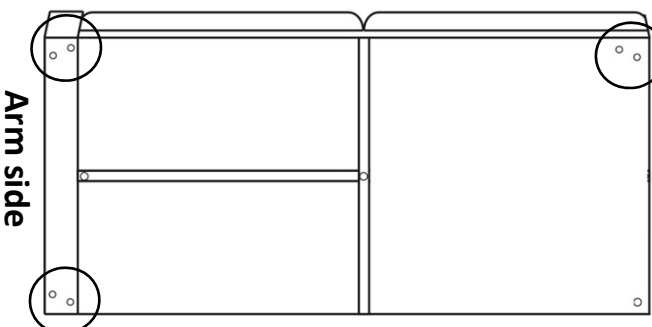
Step1: Locate package of sofa legs, power cord and hardware that are attached to the post at rear of LHF sofa seat.



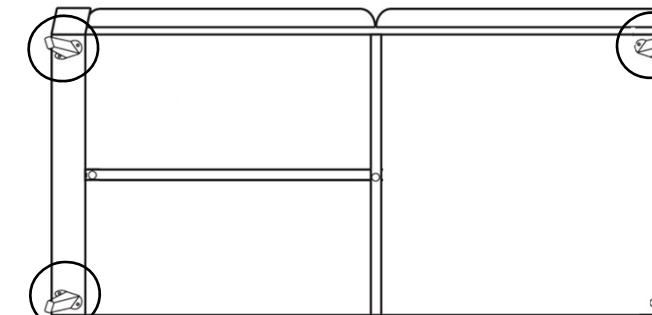
 Bolt M8X40 6pcs	 Washer 6pcs	 Hexagon key 1pcs	 Timber leg 3pcs	 Plastic leg 3pcs	 Power cord 1pcs
--	--	---	--	---	--


STEP2: Take out 3 timber legs, then use hexagon key to fasten the timber legs to the holes at bottom of sofa with bolts and washers.

Front

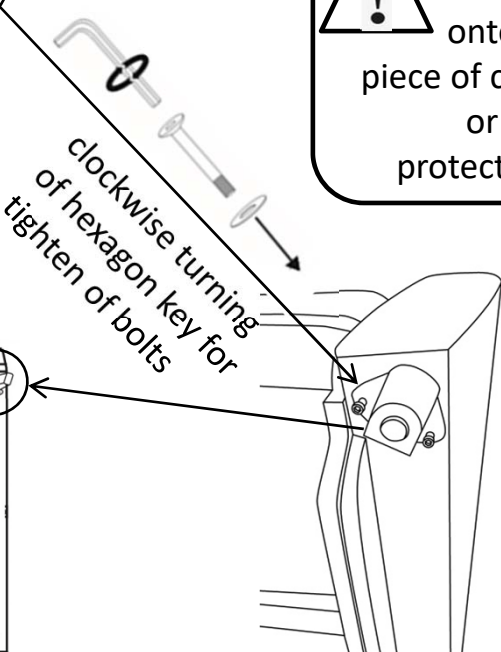


completion with 3 timber legs



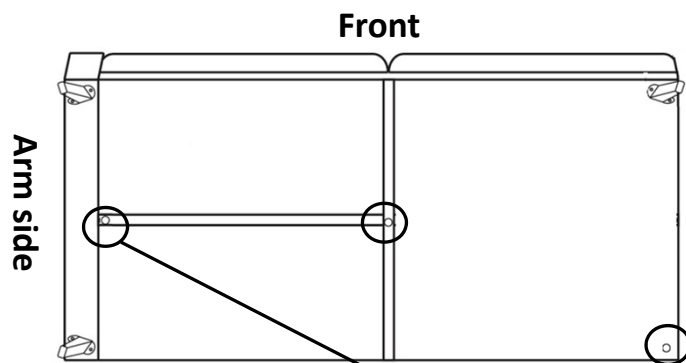


With 2 people carefully turn onto back on piece of cardboard or carpet to protect covering

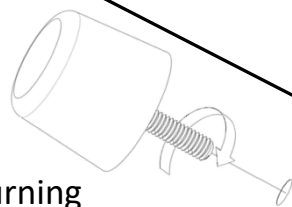


clockwise turning of hexagon key for tighten of bolts

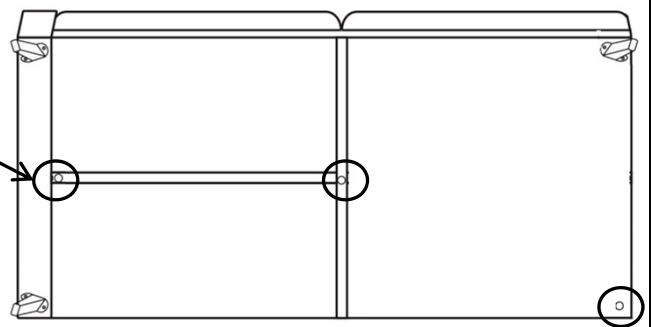
Step3: Screw 2 plastic legs at two ends of horizontal support rail in the middle of LHF recliner and 1 plastic leg at rear corner.



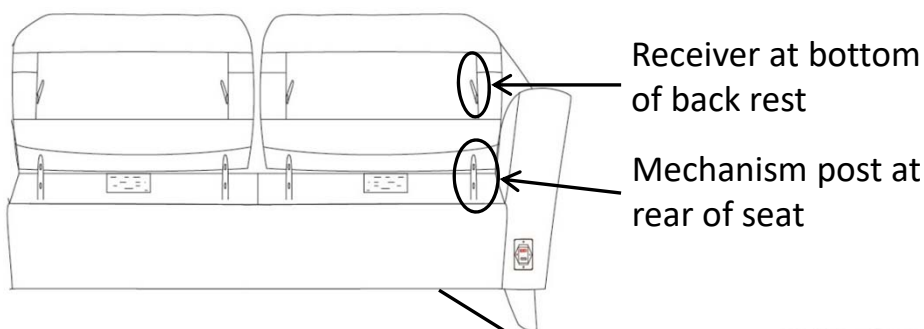
IMPORTANT NOTE
Adding the centre support leg is very important for this range.
 Failing to do this will cause your lounge to sag in the middle which can cause mech misalignments and cause your footrest to come into contact with the floor, resulting in permanent and irreparable damage to your leather.



clockwise turning for tighten of plastic leg with screw

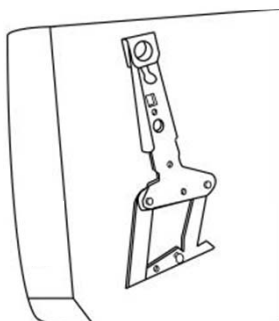


Step4: Slide back receivers into steel mechanism posts in the base of the furniture, and then press both sides of the each back firmly into place ensure each back automatically locks in place.

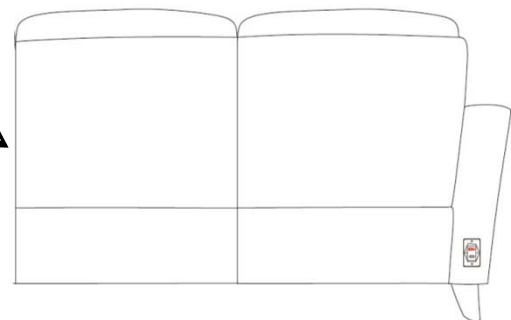


Receiver at bottom of back rest

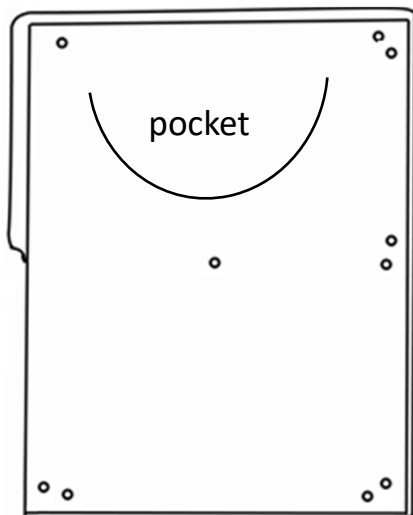
Mechanism post at rear of seat










slide receiver into post



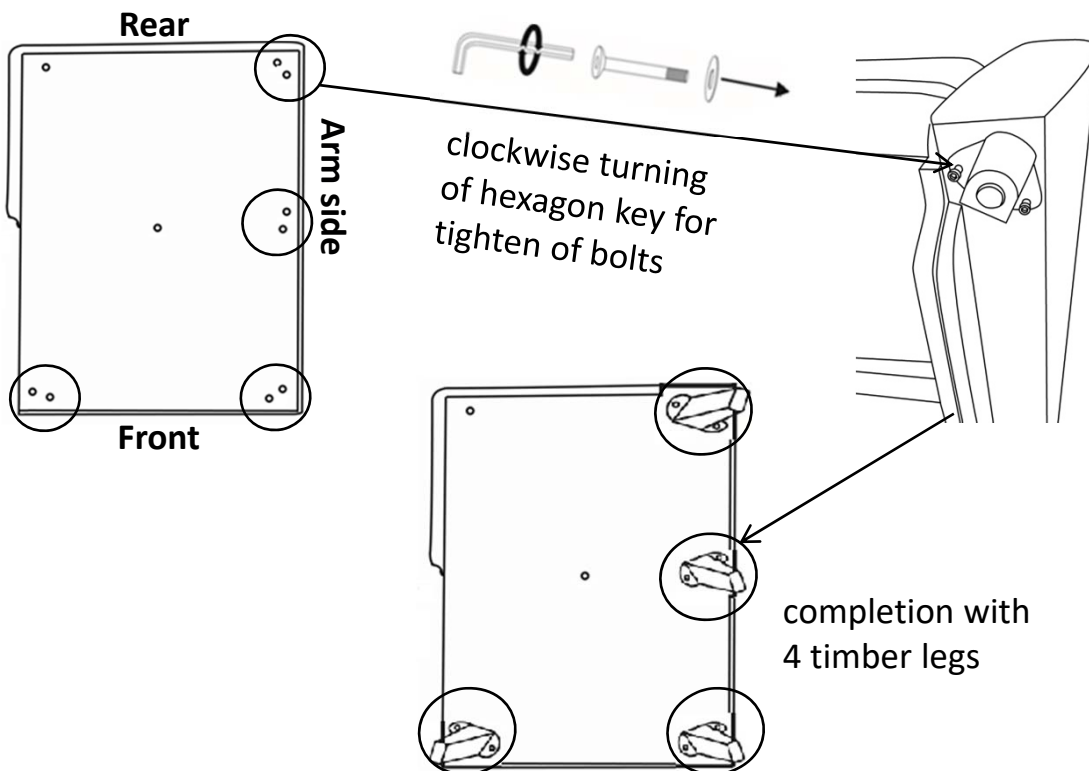
Step5: Locate package of sofa legs and hardware that is placed into zipper pocket at the bottom of right hand facing chaise.



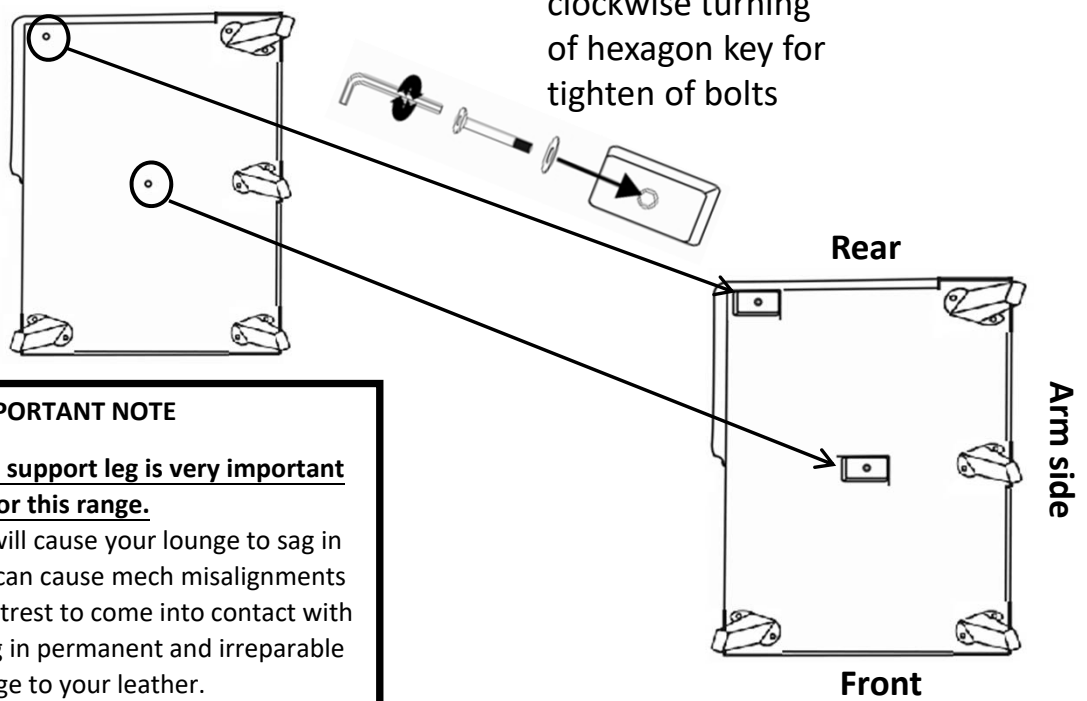
 With 2 people carefully turn onto back on piece of cardboard or carpet to protect covering

 Bolt M8X40 8pcs	 Washer 10pcs	 Hexagon key 1pcs	 Timber leg 4pcs	 Plastic leg 2pcs	 Bolt M8X90 2pcs
--	---	---	--	---	--

STEP6: Take out 4 timber legs, then use hexagon key to fasten the timber legs to the holes at bottom of sofa with bolts and washers.

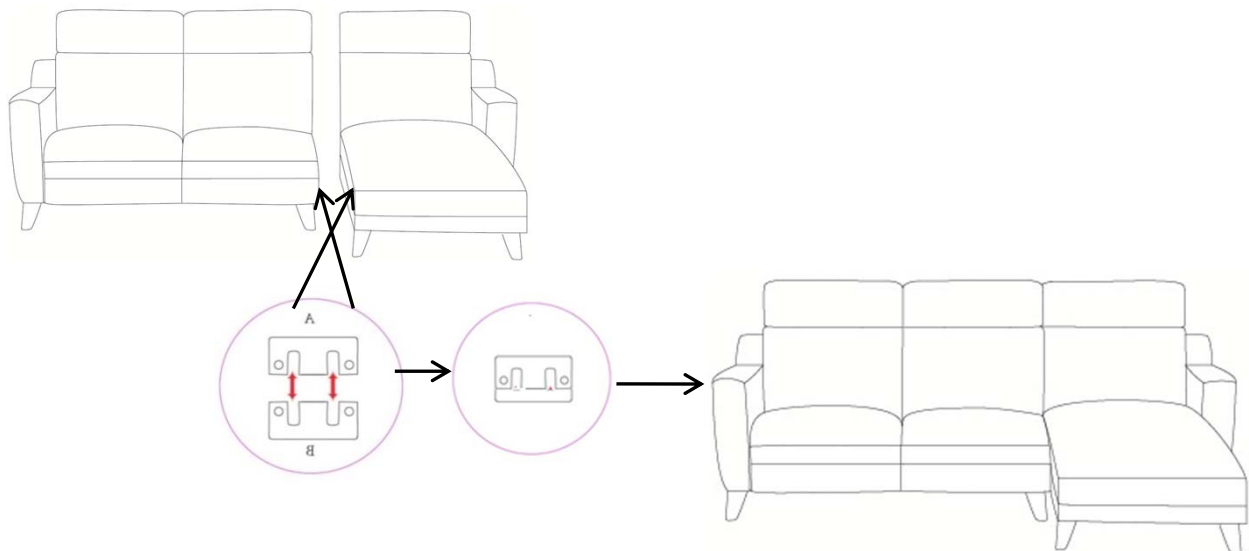


Step7: Take out 2 plastic legs, then use hexagon key to fasten the plastic legs to the centre and rear corner at bottom of the chaise with bolts and washers.



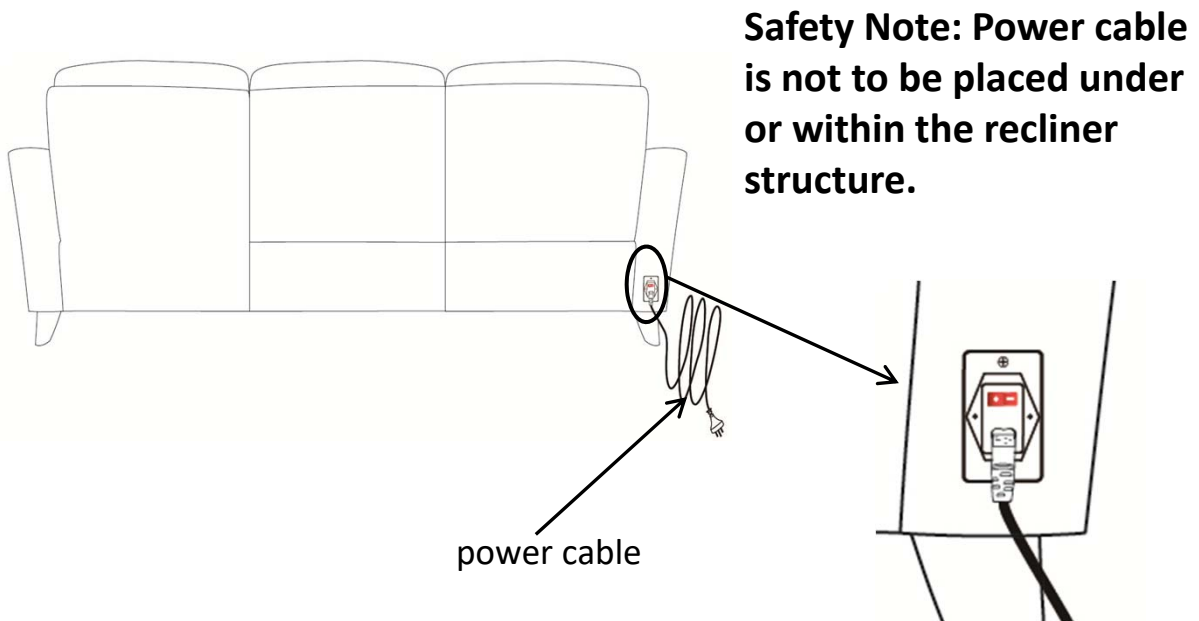
IMPORTANT NOTE
Adding the centre support leg is very important for this range.
 Failing to do this will cause your lounge to sag in the middle which can cause mech misalignments and cause your footrest to come into contact with the floor, resulting in permanent and irreparable damage to your leather.

Step8: Connect left hand facing sofa to right hand facing chaise.

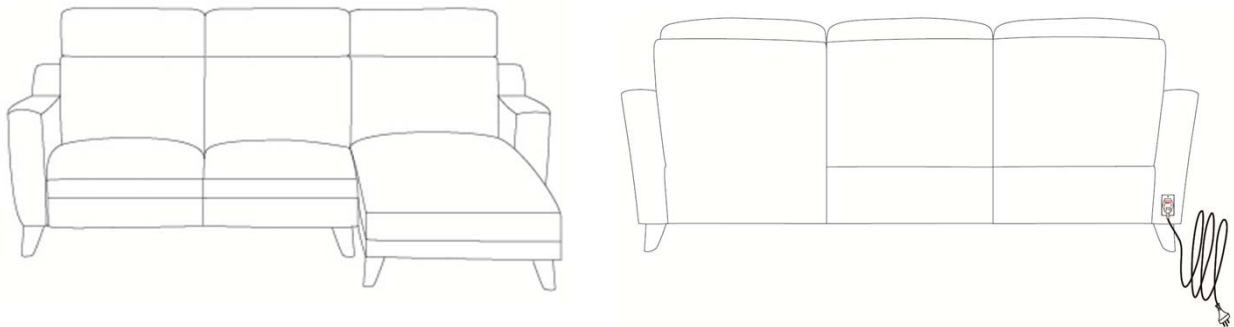


slide clips at connecting item into clips at connected item, then together press front and rear side of connecting item to ensure the clips go into each other to the bottom.

Step9: Plug power cable into socket at back of electric seat.



ASSEMBLY IS COMPLETE



SAFETY NOTE:
PLEASE ENSURE THAT ALL ELECTRICAL CORDS AND CABLES ARE CLEAR OF THE FRAME AND MECHANISM. A FAILURE TO DO SO MAY SEVER YOUR POWER CORD RESULTING IN SERIOUS INJURY OR DEATH.

READ THESE INSTRUCTIONS THOROUGHLY BEFORE USE:

DANGER: TO REDUCE THE RISK OF ELECTRIC SHOCK:

Always unplug from electric outlet before cleaning.

WARNING: RISK OF INJURY

Keep children away from extended footrest and any moving parts.

CAUTION: Do not allow children to play on this electric recliner or operate the powered mechanism. The leg rest folds when closing and could possibly cause injury to a child. Always leave the recliner in an upright and closed position when not in use. Keep hands and feet clear of mechanism. Only the occupant should operate it.

POWER CORD SAFETY

WARNING: Unplug and remove power cord from wall when not in use and store out of reach of children.

Take care when moving recliner that wall and transformer cords are not under the base or they may get damaged.

- NEVER OPERATE ELECTRIC RECLINER IF IT HAS A DAMAGED CORD OR PLUG.

WARNING: TO REDUCE RISK OF BURNS, FIRE, ELECTRIC SHOCK OR PERSONAL INJURY TO PERSONS:

- Use only for its intended purpose
- Never press or activate control switch if you are not seated in recliner
- Only the occupant should activate the control switch
- Never operate with more than one person occupying seat
- Never sit or stand on the footrest

CARE AND MAINTENANCE

FABRIC CARE

REGULAR CARE: PROTECT FROM DIRECT SUNLIGHT.
VACUUM REGULARLY USING LOW SUCTION.
ROTATE REVERSIBLE CUSHIONS REGULARLY.

CLEANING:

DO NOT REMOVE CUSHION COVERS FOR SEPARATE
CLEANING EVEN THOUGH THEY HAVE ZIPPERS.

DO NOT WASH

DO NOT DRY CLEAN

DO NOT SHAMPOO CLEAN

CLEAN WITH HOT-WATER EXTRACTION MACHINE.

(HOT) PROFESSIONAL CLEANING RECOMMENDED

DO NOT USE DISHWASHING OR LAUNDRY

DETERGENTS

USE ONLY UPHOLSTERY DETERGENTS

DO NOT WET FILLING

DRY IN SHADE AWAY FROM DIRECT HEAT AND

SUNLIGHT

ALLOW TO DRY THOROUGHLY BEFORE RE-USE

SPOT CLEANING:

DO NOT RUB

DO NOT SPOT CLEAN WITH ANY SOLVENT.

TREAT SPILLS AND STAINS AS SOON AS POSSIBLE.

GENTLY SCRAPE ANY SOIL OR MOP ANY LIQUID

FROM THE SURFACE OF THE FABRIC.

APPLY PROPRIETARY CLEANING AGENTS STRICTLY

ACCORDING TO INSTRUCTIONS TO REMOVE THE

RESIDUE OF THE SPILL.

DO NOT SATURATE THE FABRIC OR INTERIOR WITH

WATER OR OTHER CLEANING LIQUIDS.

WARNING: APPLY ONLY WATER-BASED SOIL RESIST
(FABRIC PROTECTION) TREATMENTS. DO NOT USE
AEROSOL PRODUCTS.