



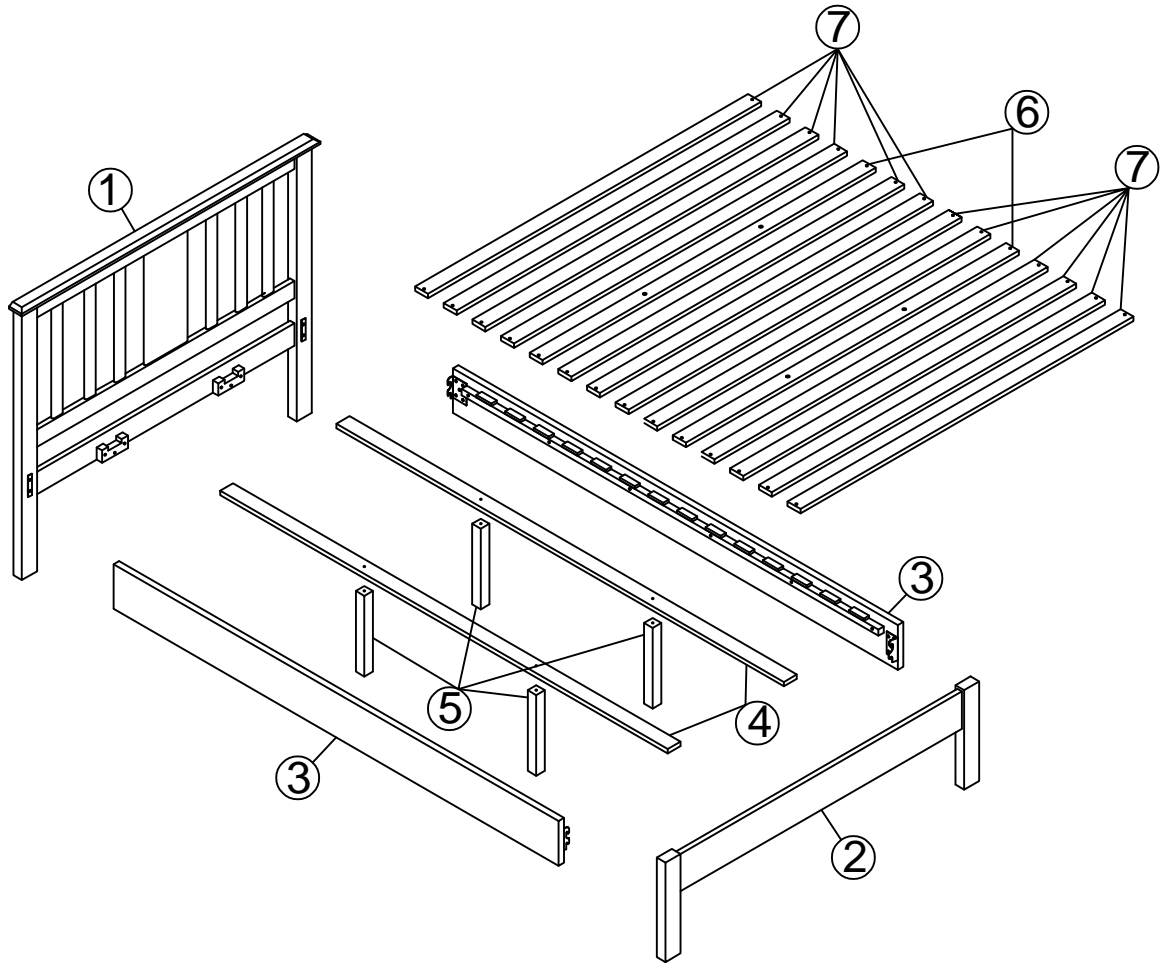
# PRE-ASSEMBLY PREPARATION

## Before you start:



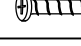


1. Choose a clean, level, spacious assembly area. Avoid hard surfaces that may damage the product
2. Take care when lifting. Product should be assembled as near as possible to the point of use
3. Ensure that you have all required contents for complete assembly
4. Always read the assembly instructions carefully before beginning assembly.
5. Keep all hardware parts and packaging out of reach of small children.
6. Do not over tighten the screws and bolts as this may damage the threads



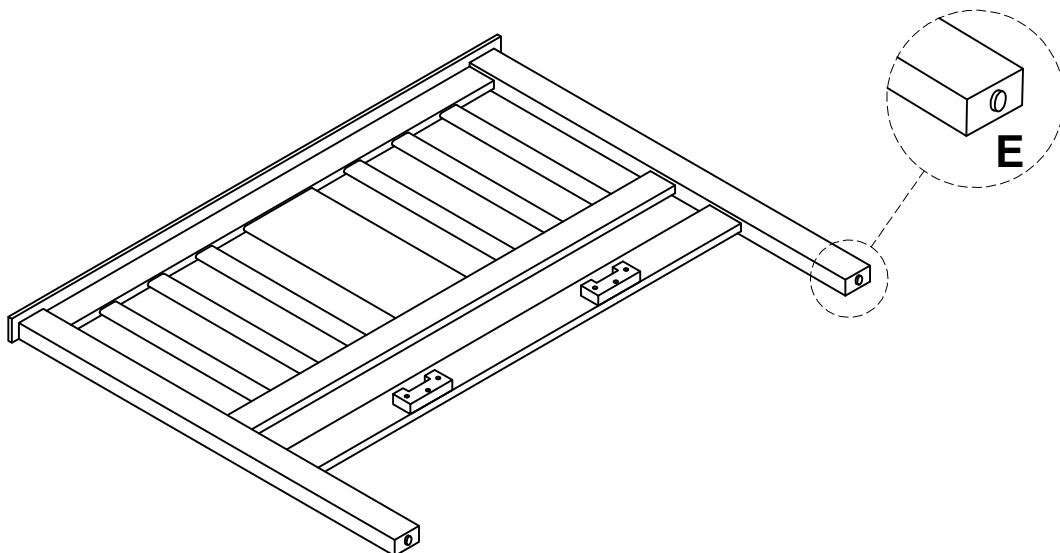
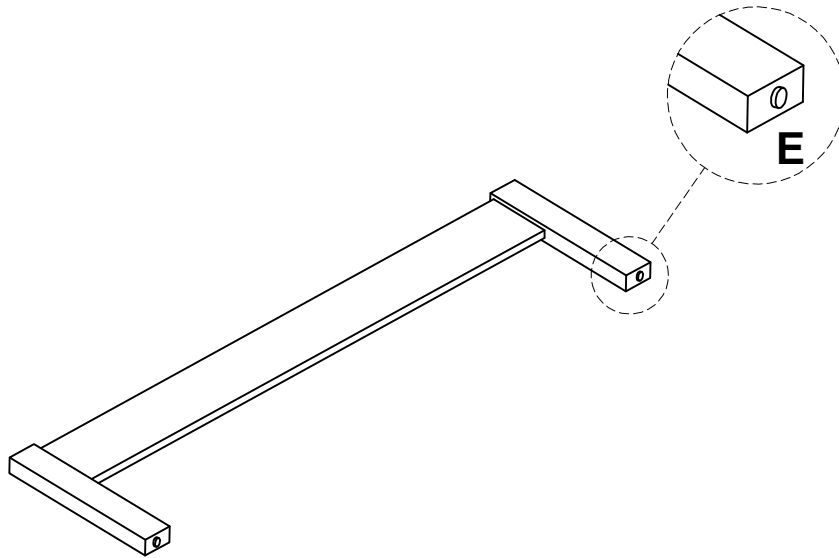
# PARTS LIST



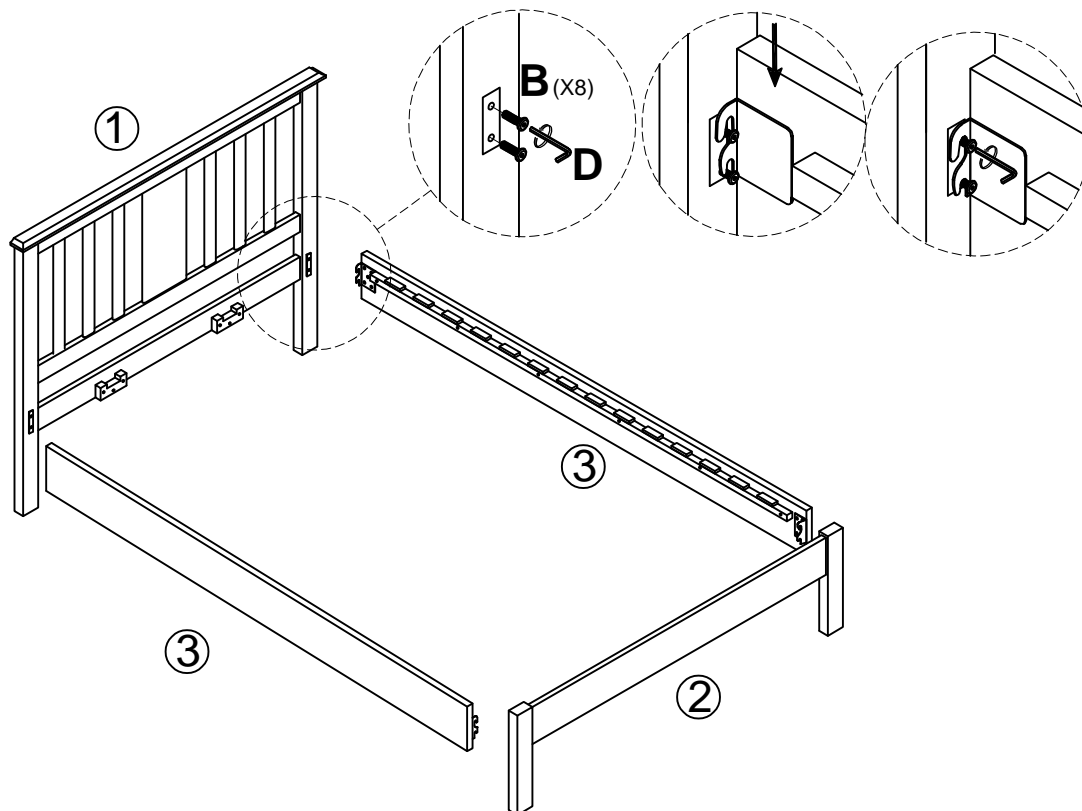
NO.	PARTS LIST	QT'Y
1	Headboard	1 pc
2	Footboard	1 pc
3	Side rail	2 pcs
4	Middle rails	2 pcs
5	Support legs	4 pcs
6	Middle Slats	2 pcs
7	Slats	12 pcs

NO.	HARDWARE LIST	QT'Y
A	 Bolt M6x50mm	4 pcs
B	 Bolt M8x20mm	8 pcs
C	 Screw M4x30mm	28 pcs
D	 Allen Key 4mm	1 pc
E	 Adhesive felt pad 20x20x5mm	4 pc

Attach adhesive felt pad (E) onto the legs

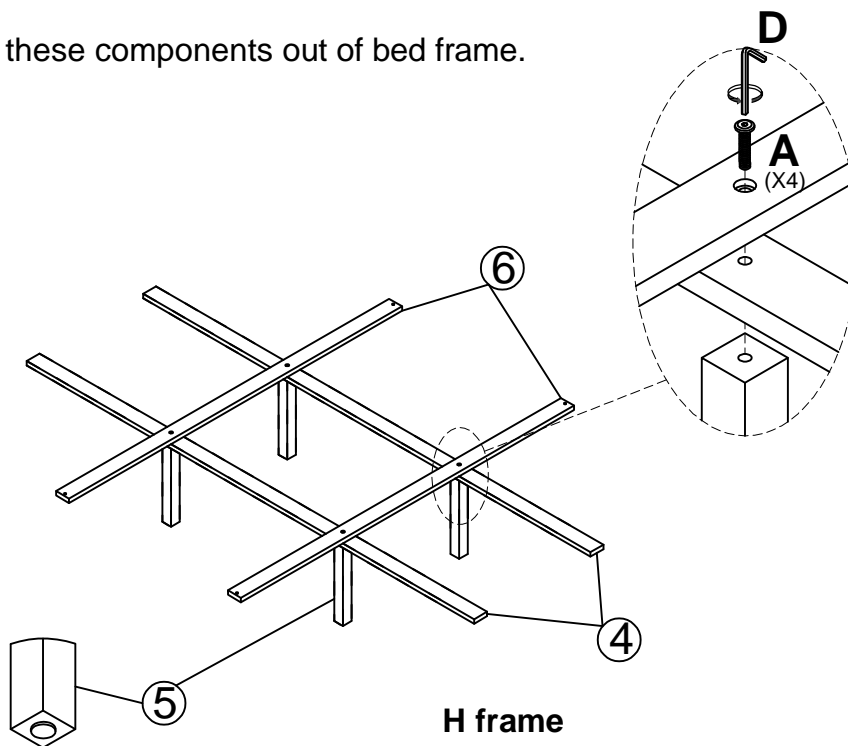


STEP 1: Attach 3 onto 1 and 2 using the bolts (B), tighten it up by using an allen key (D)



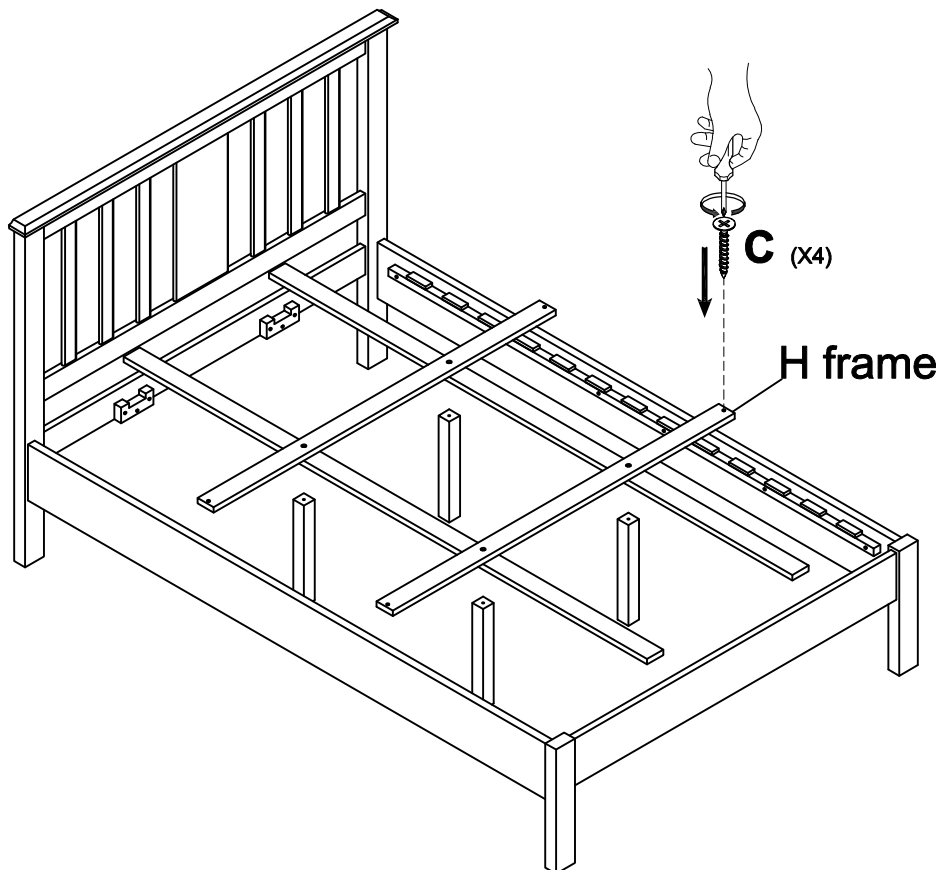
STEP 2: Attach 5 onto 4 and 6 using the bolts (A), tighten it up by using an allen key (D)

Assembly these components out of bed frame.

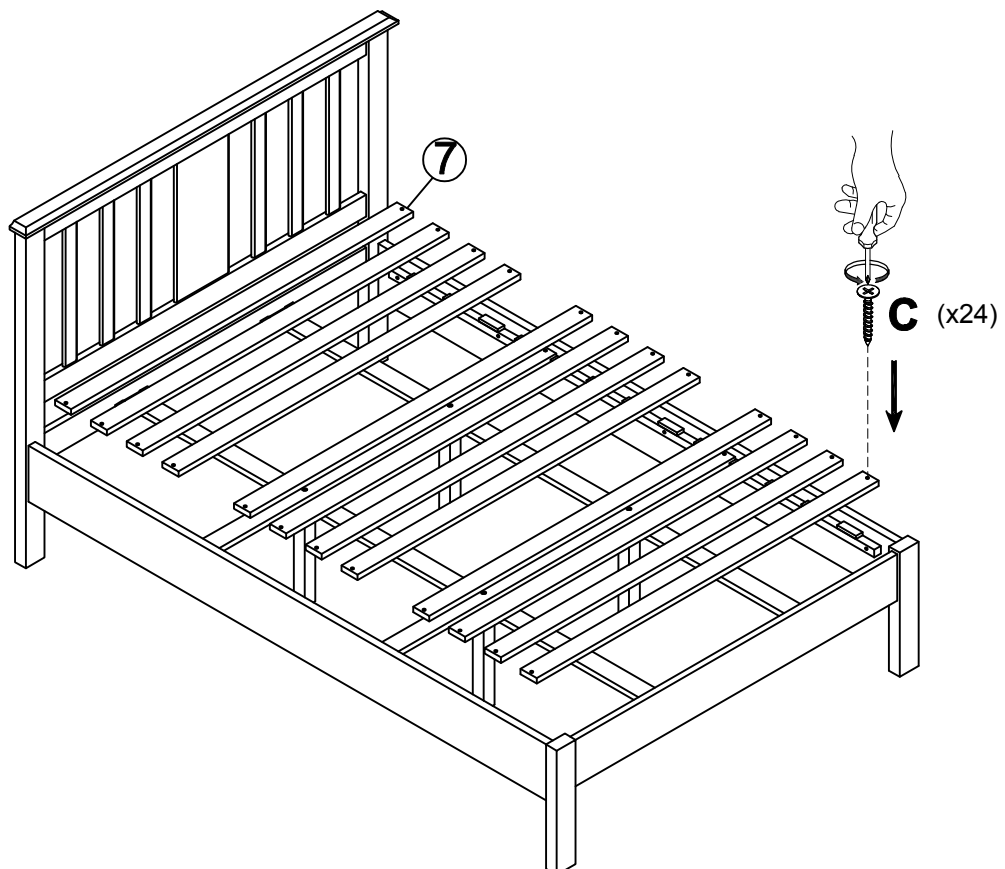


STEP 3: Use two people to place H frame onto 3.

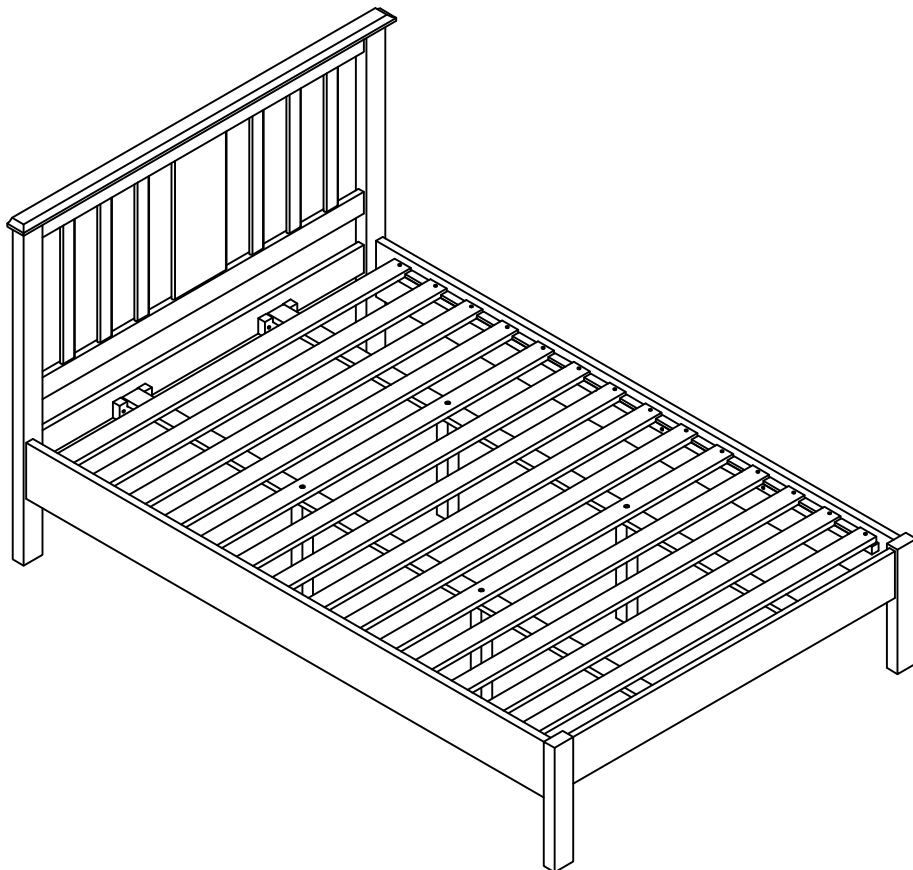
Attach **H frame** onto **3** using the screws (**C**), tighten it up by using an screwdriver.



STEP 4: Attach **7** onto **3** using the screws (**C**), tighten it up by using an screwdriver.



ASSEMBLY IS COMPLETE



**IMPORTANT NOTE:**

- . Once the bed is positioned and the support legs are adjusted to touch floor, the slats can then be laid down and secured before putting on the mattress.
- . **DO NOT** push or pull the bed if there is a need for re-positioning as this may result in broken support legs for the centre rail.

